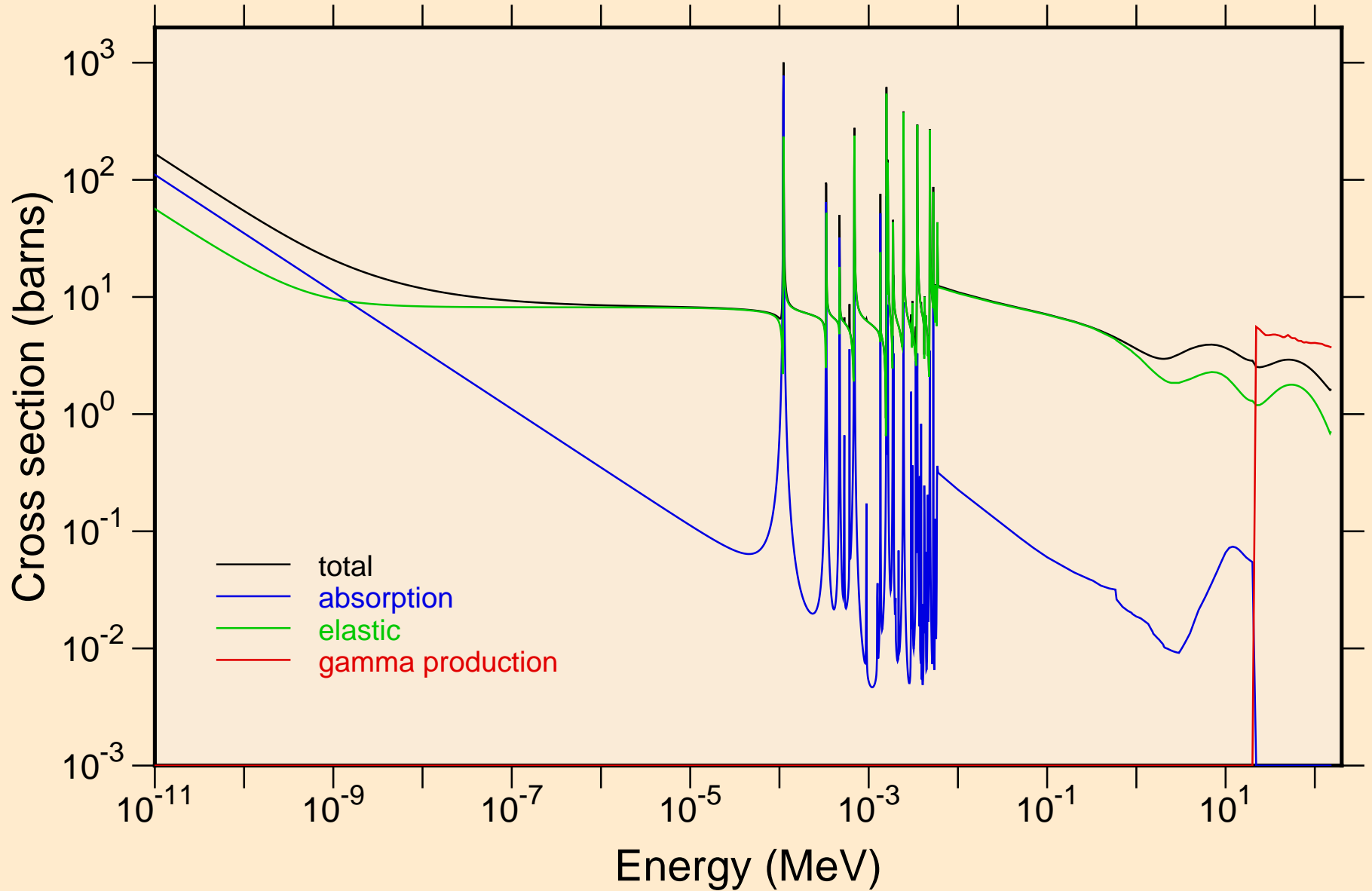
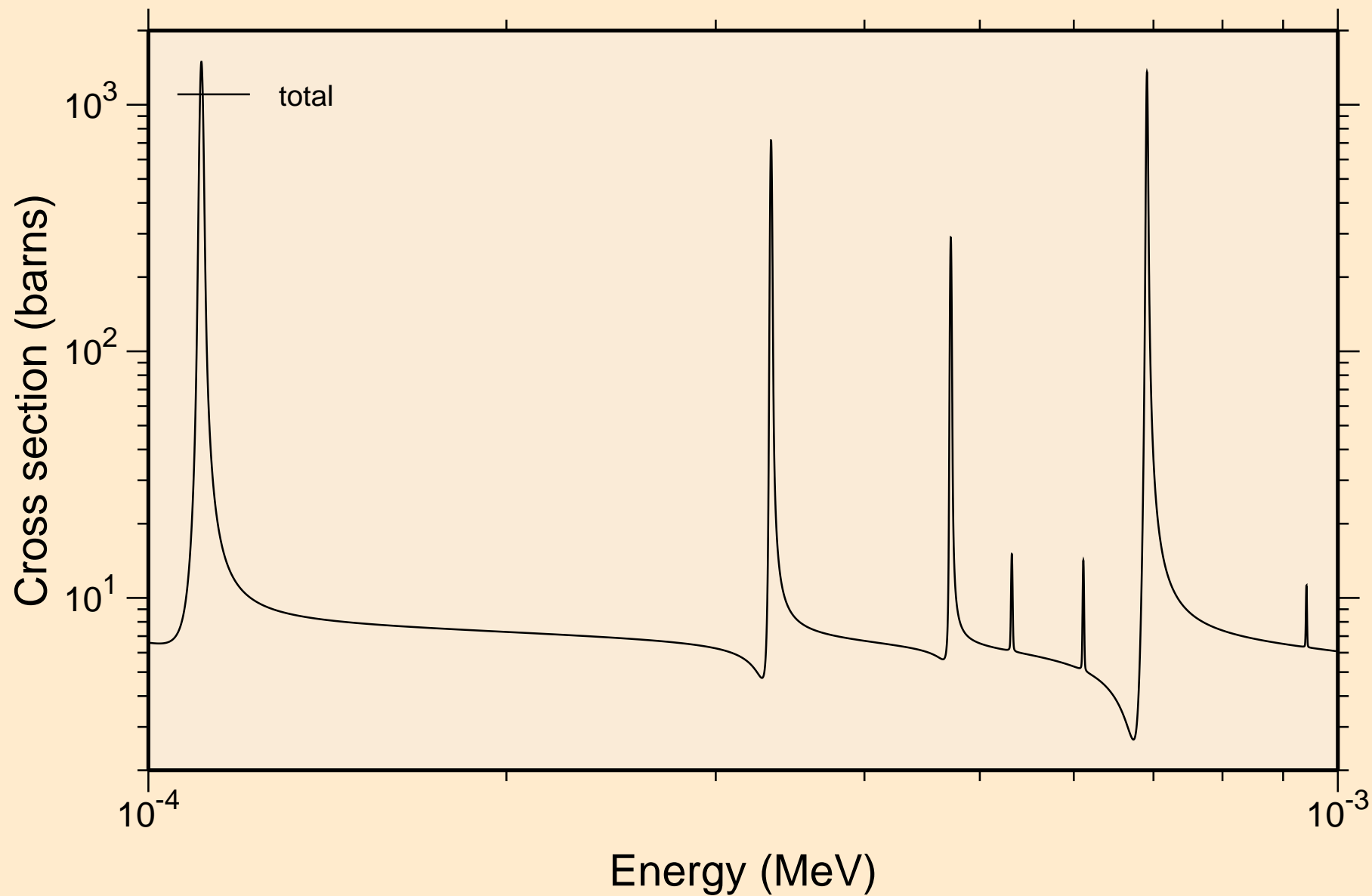


31-GA-69 FOR FENDL-3.2 FROM FENDL-3.2 WITH NJOY2016.60+

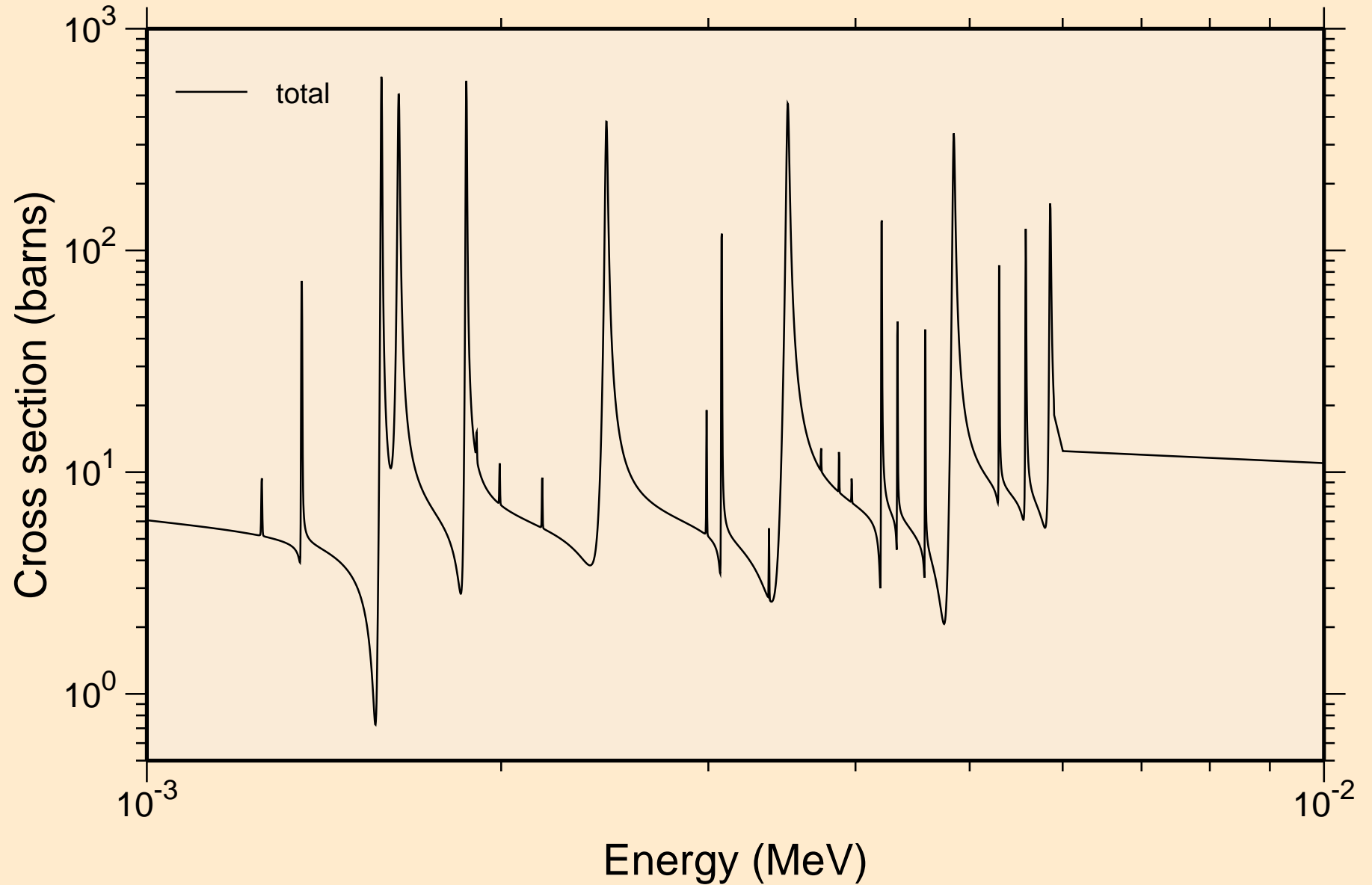
Principal cross sections



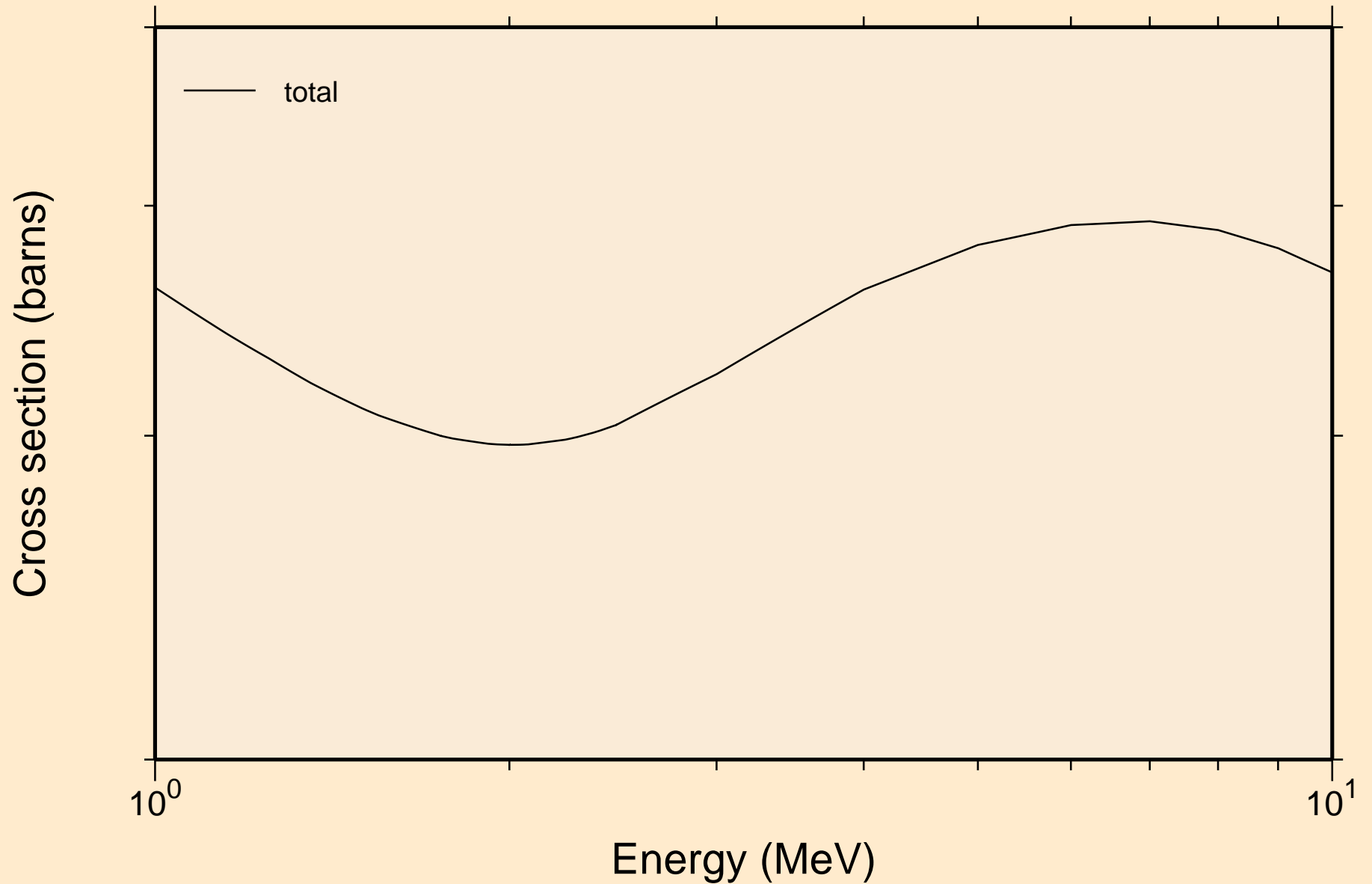
31-GA-69 FOR FENDL-3.2 FROM FENDL-3.2 WITH NJOY2016.60+
resonance total cross section



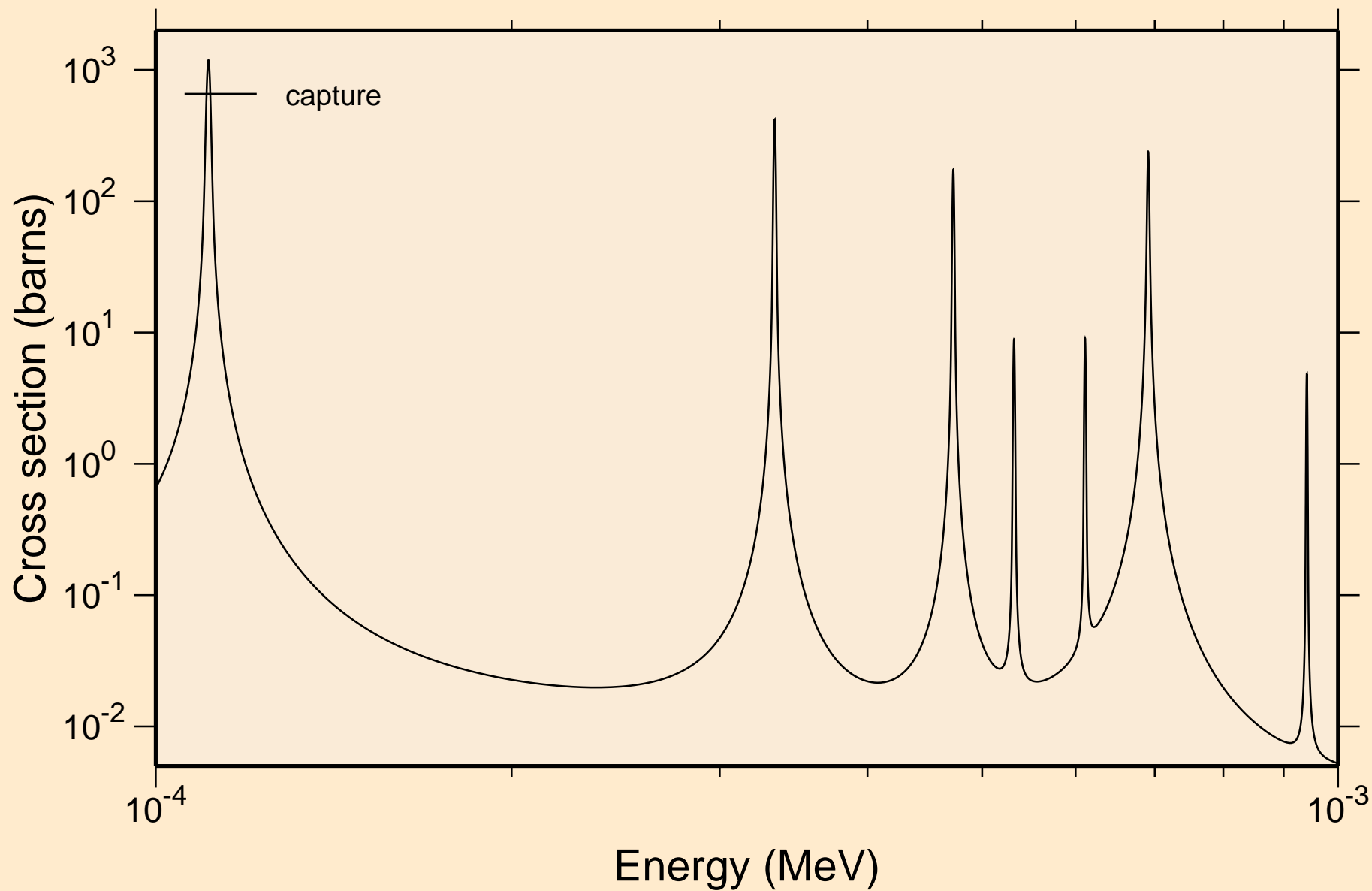
31-GA-69 FOR FENDL-3.2 FROM FENDL-3.2 WITH NJOY2016.60+
resonance total cross section



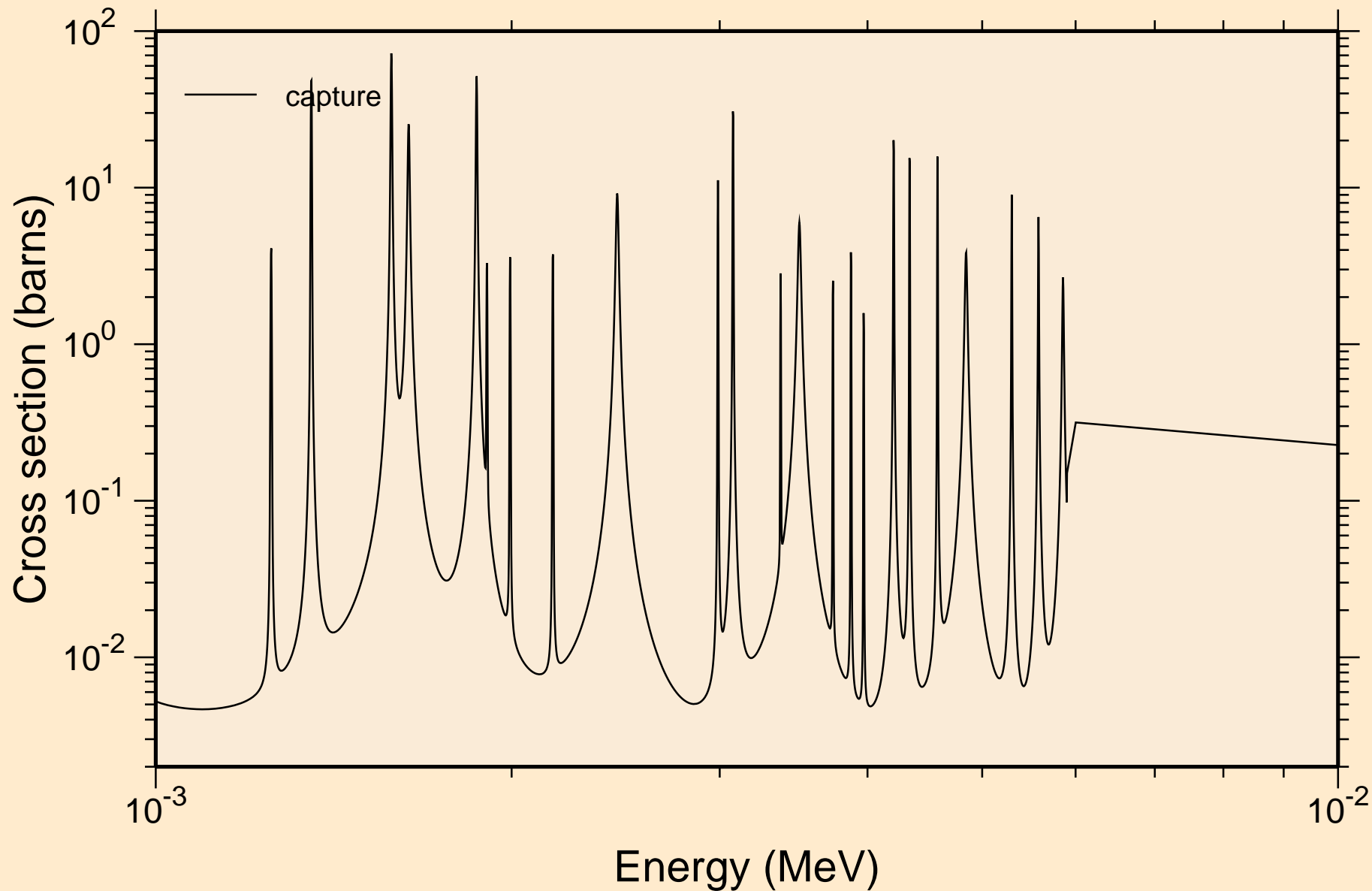
31-GA-69 FOR FENDL-3.2 FROM FENDL-3.2 WITH NJOY2016.60+
resonance total cross section



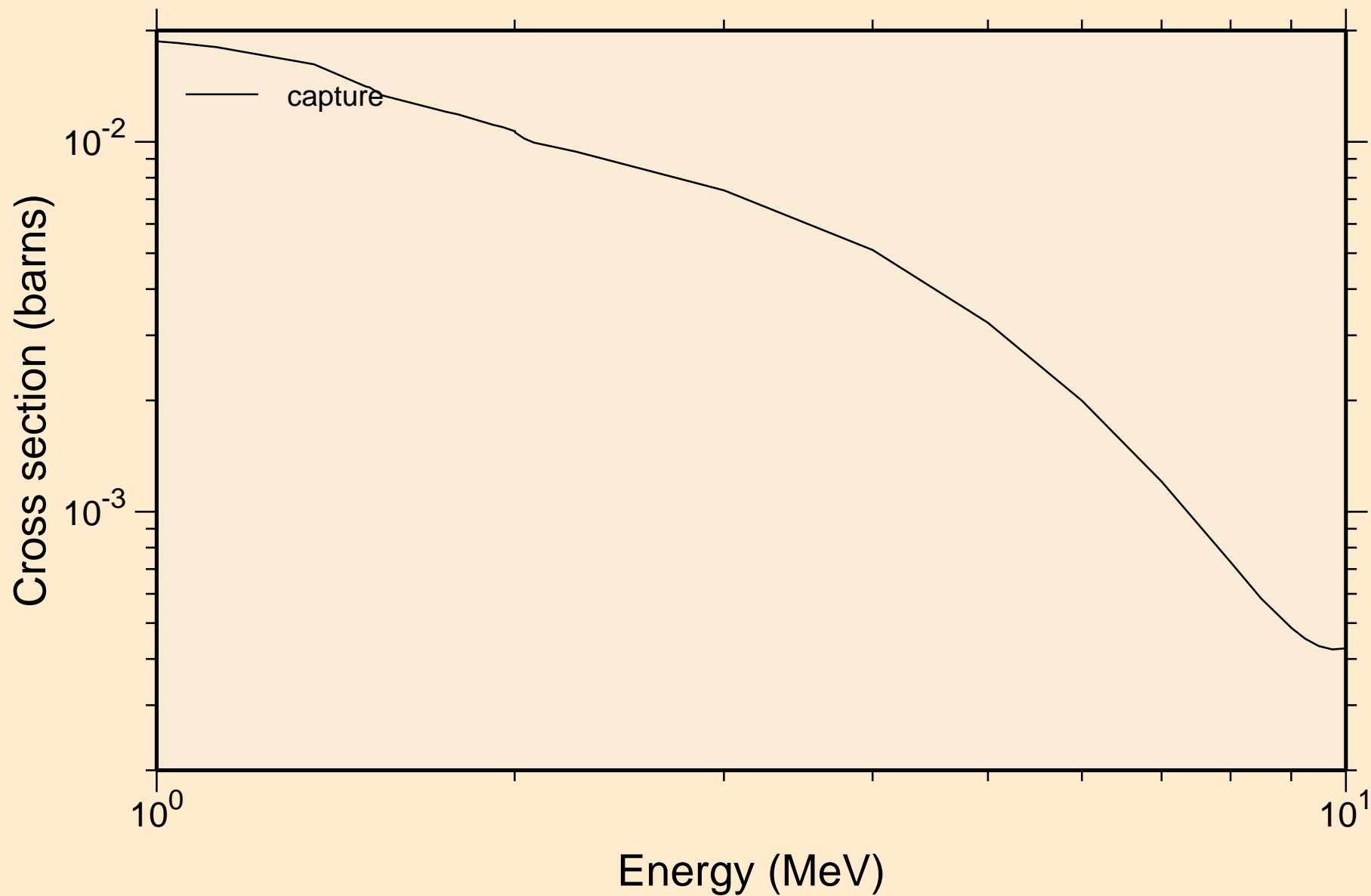
31-GA-69 FOR FENDL-3.2 FROM FENDL-3.2 WITH NJOY2016.60+
resonance absorption cross sections



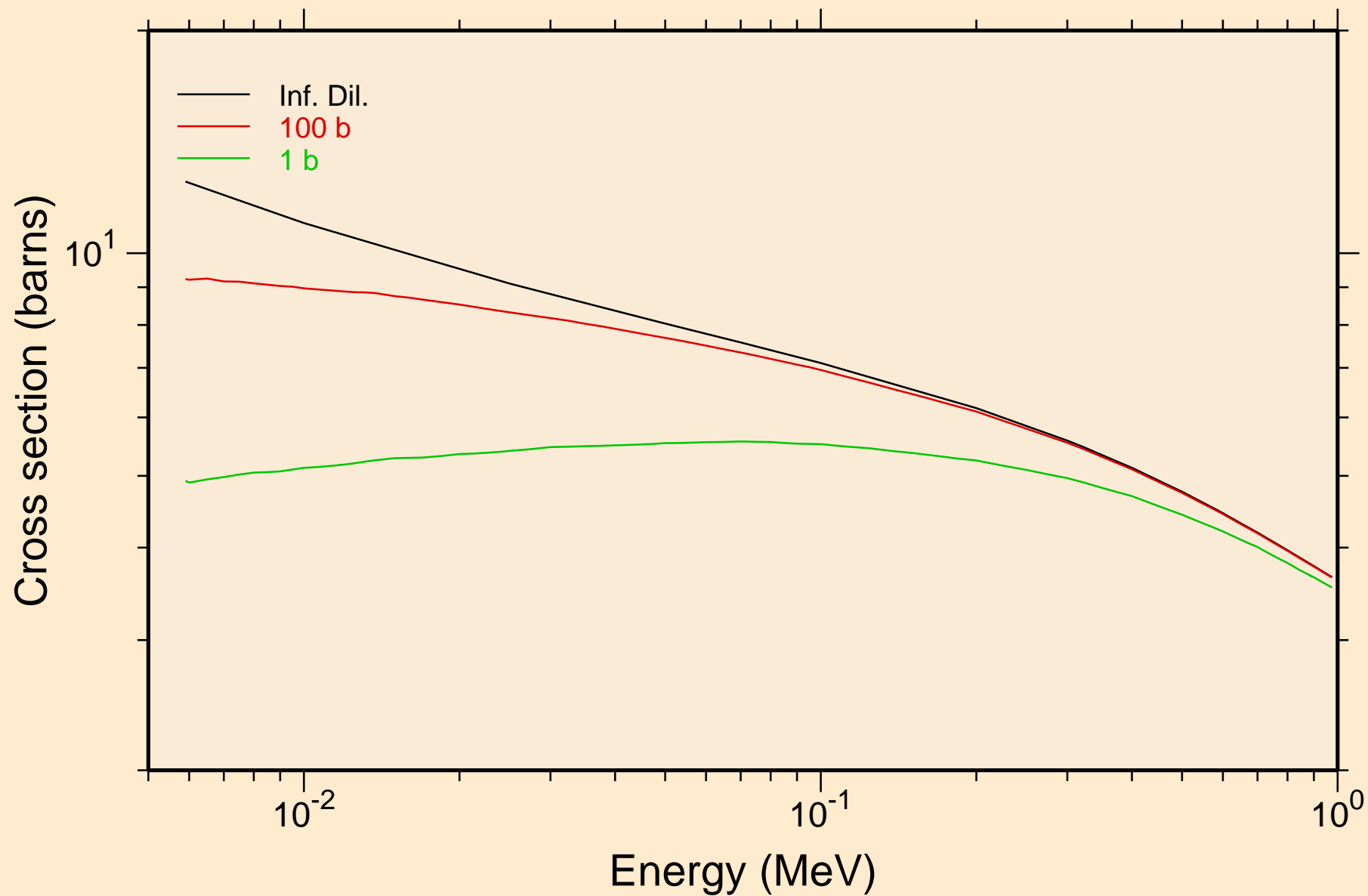
31-GA-69 FOR FENDL-3.2 FROM FENDL-3.2 WITH NJOY2016.60+ resonance absorption cross sections



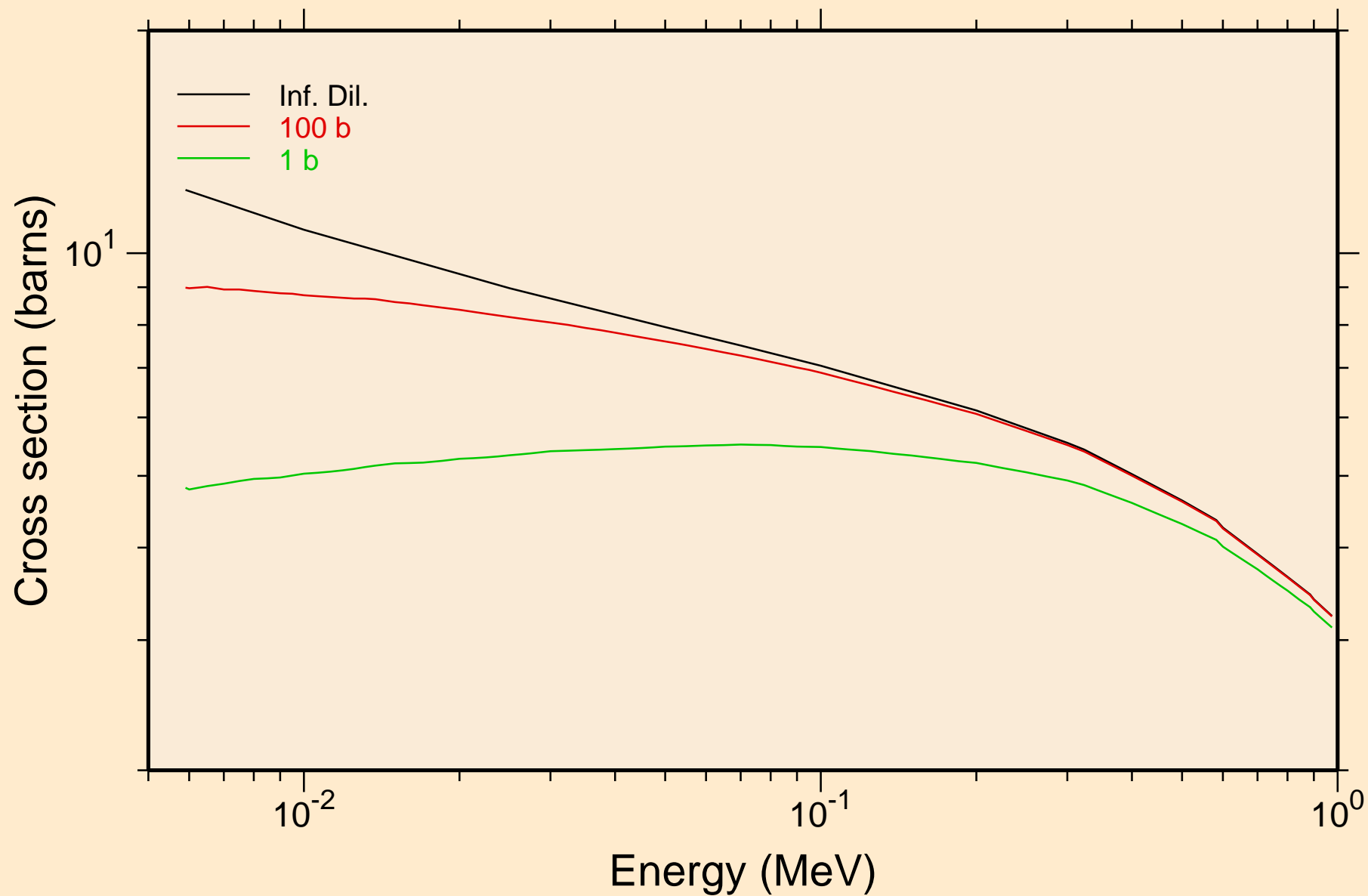
31-GA-69 FOR FENDL-3.2 FROM FENDL-3.2 WITH NJOY2016.60+
resonance absorption cross sections



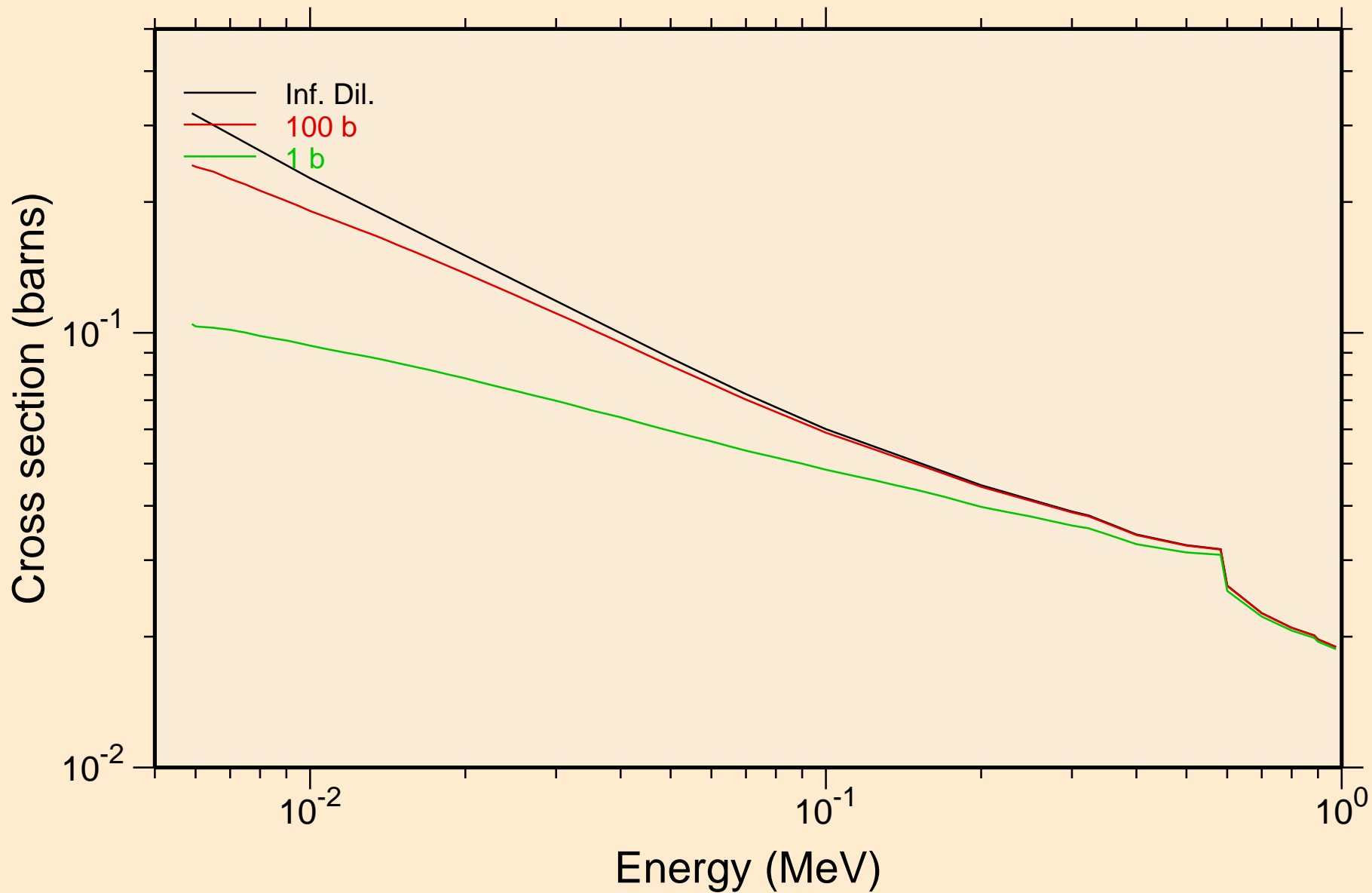
31-GA-69 FOR FENDL-3.2 FROM FENDL-3.2 WITH NJOY2016.60+ UR total cross section



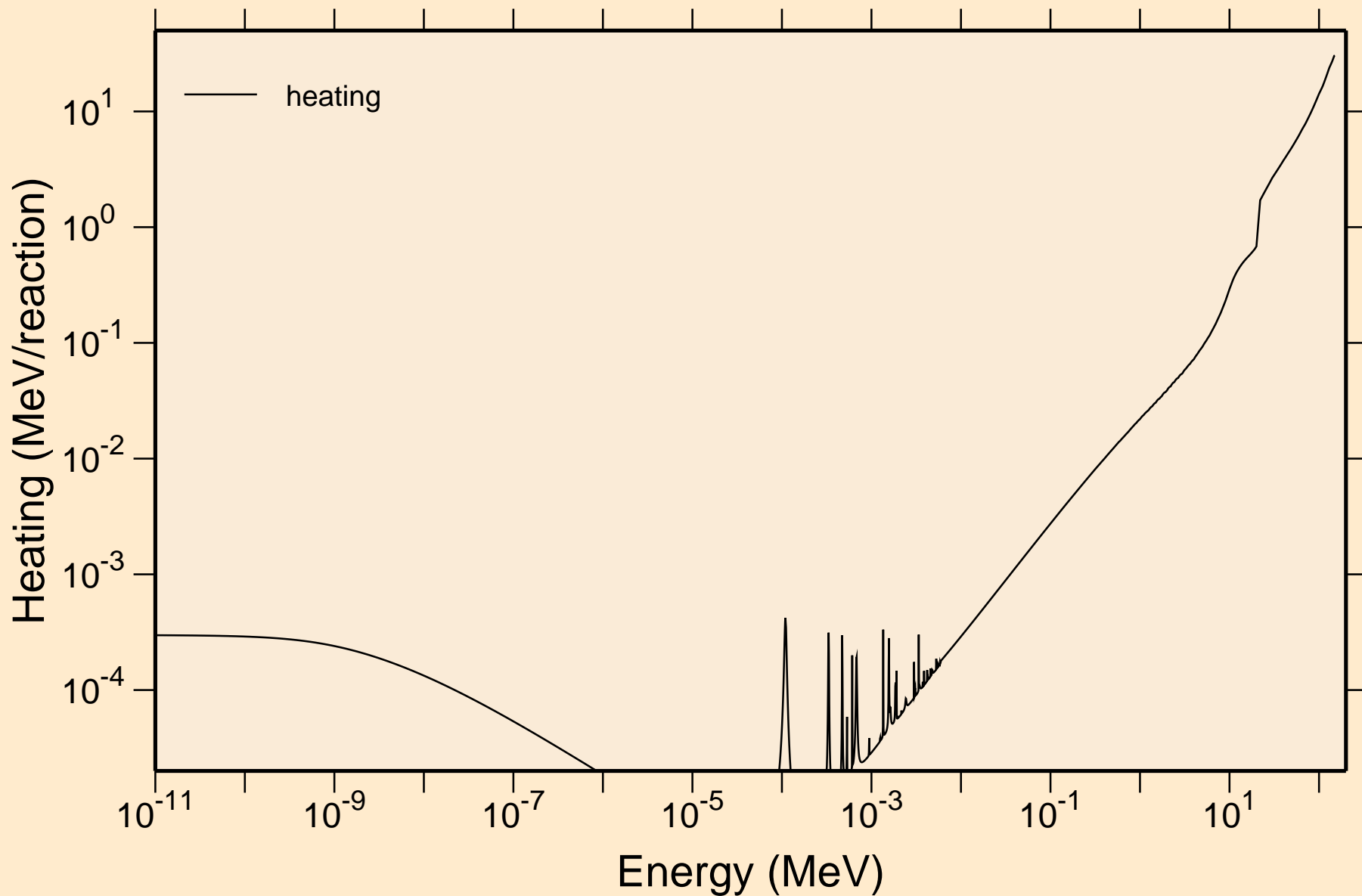
31-GA-69 FOR FENDL-3.2 FROM FENDL-3.2 WITH NJOY2016.60+ UR elastic cross section



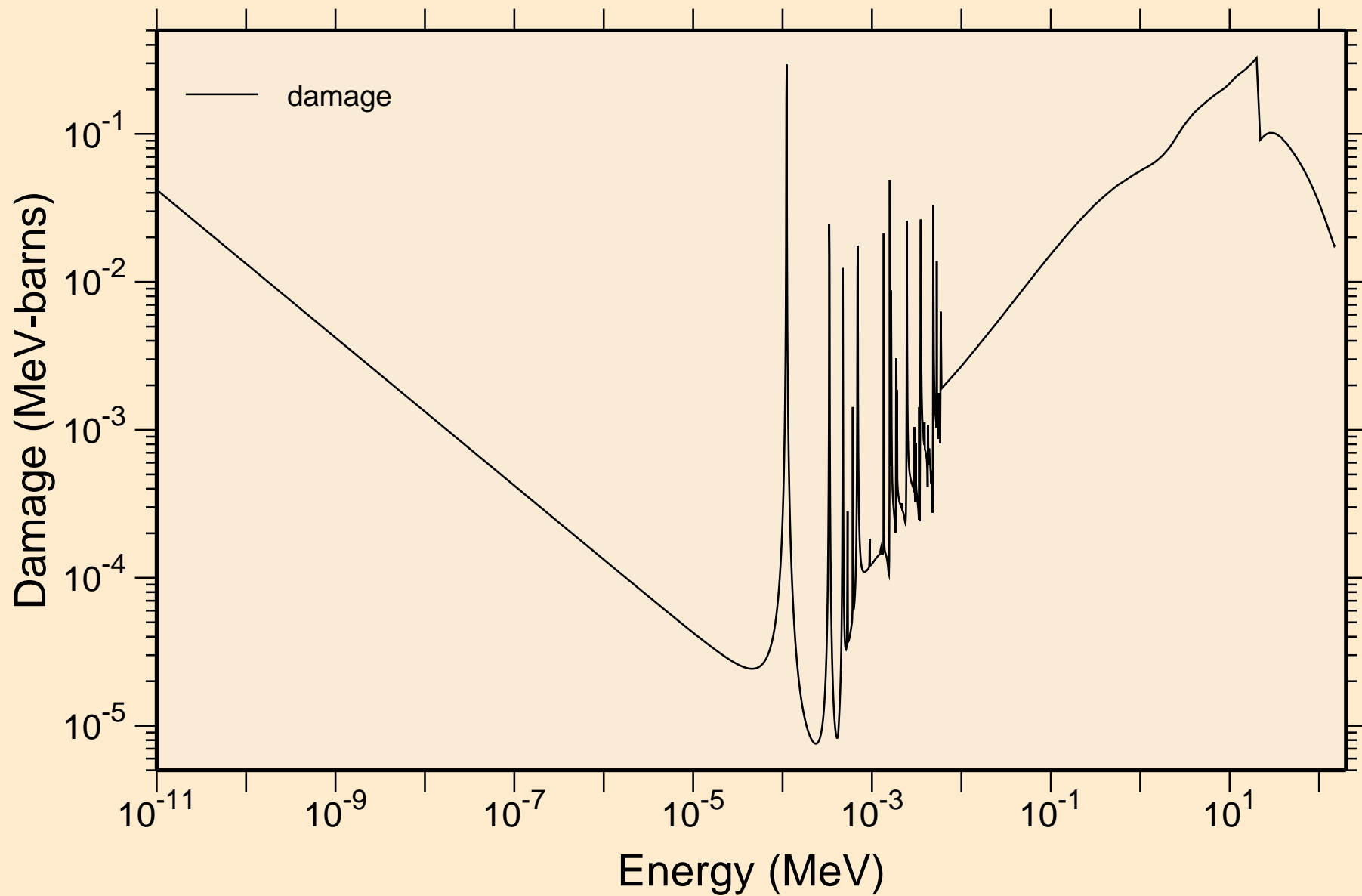
31-GA-69 FOR FENDL-3.2 FROM FENDL-3.2 WITH NJOY2016.60+
UR capture cross section



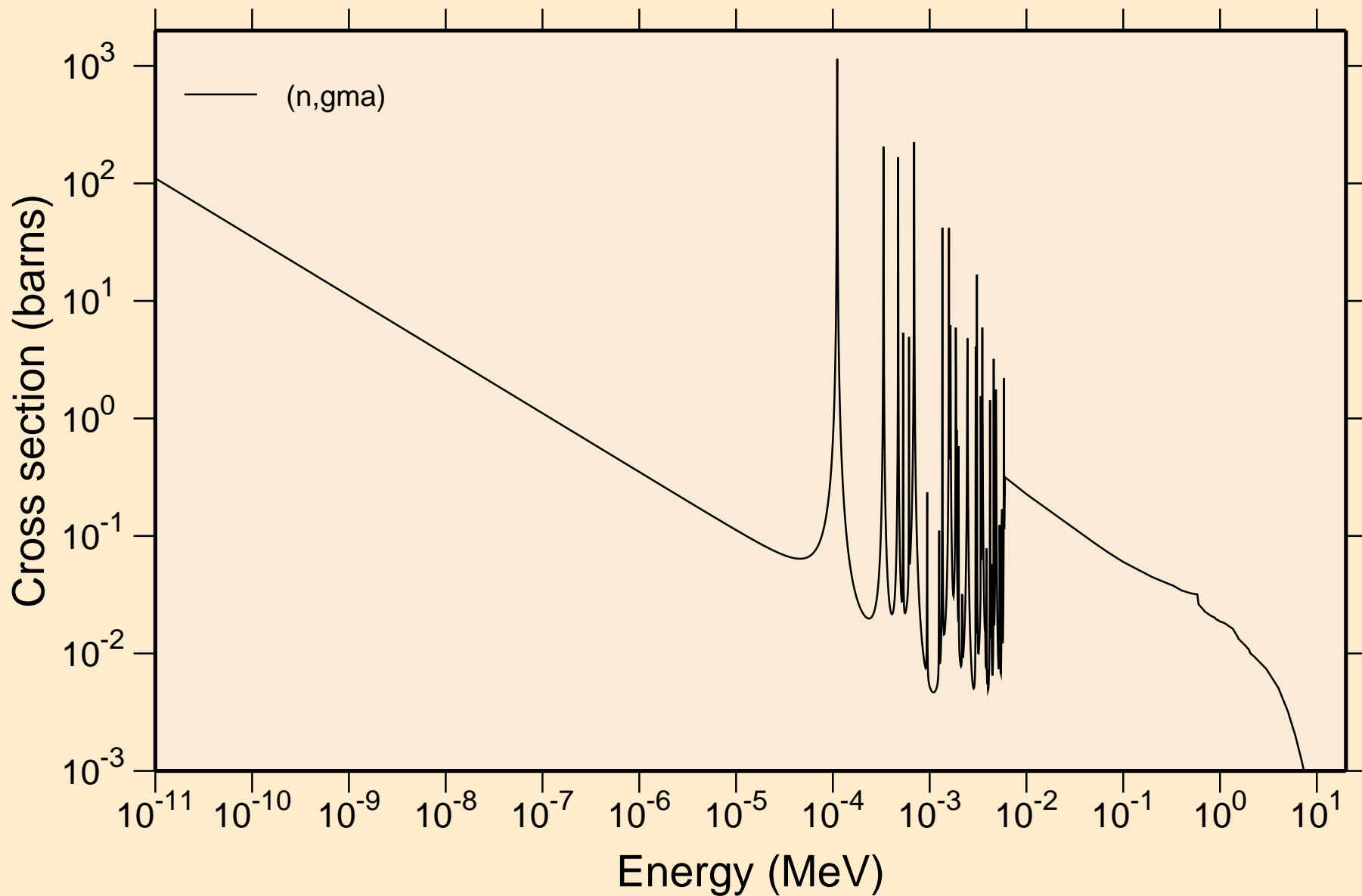
31-GA-69 FOR FENDL-3.2 FROM FENDL-3.2 WITH NJOY2016.60+ Heating



31-GA-69 FOR FENDL-3.2 FROM FENDL-3.2 WITH NJOY2016.60+ Damage

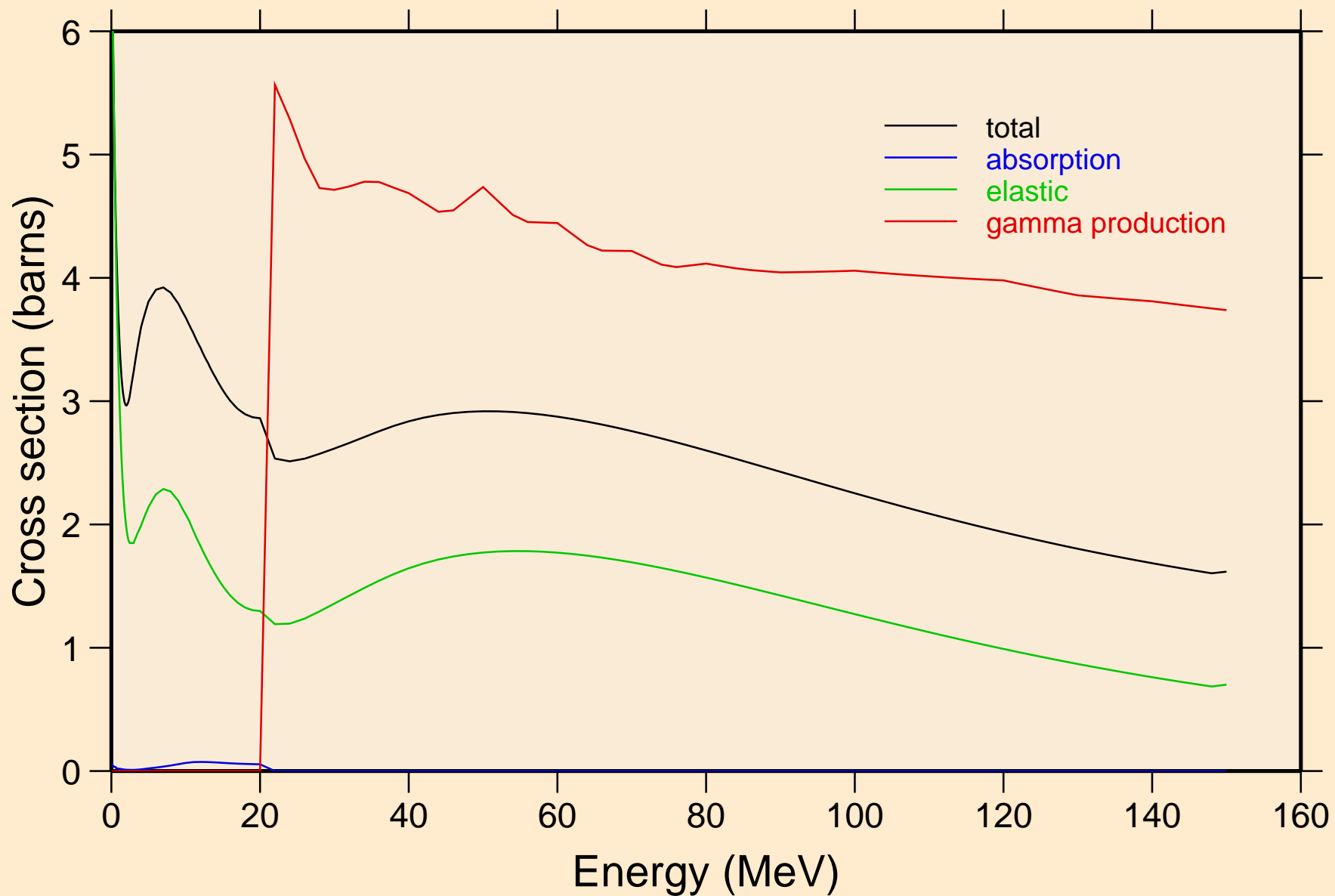


31-GA-69 FOR FENDL-3.2 FROM FENDL-3.2 WITH NJOY2016.60+
Non-threshold reactions

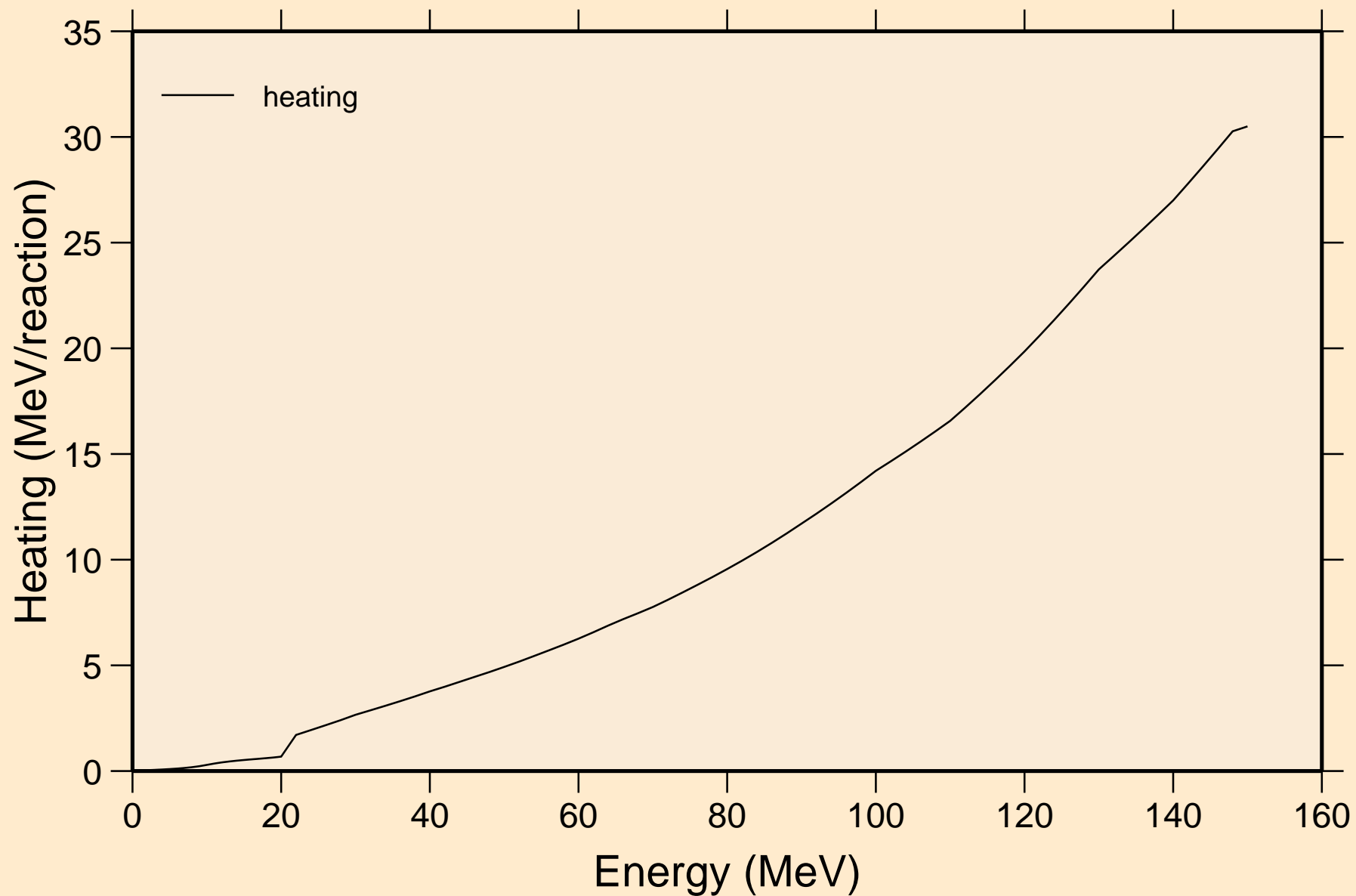


31-GA-69 FOR FENDL-3.2 FROM FENDL-3.2 WITH NJOY2016.60+

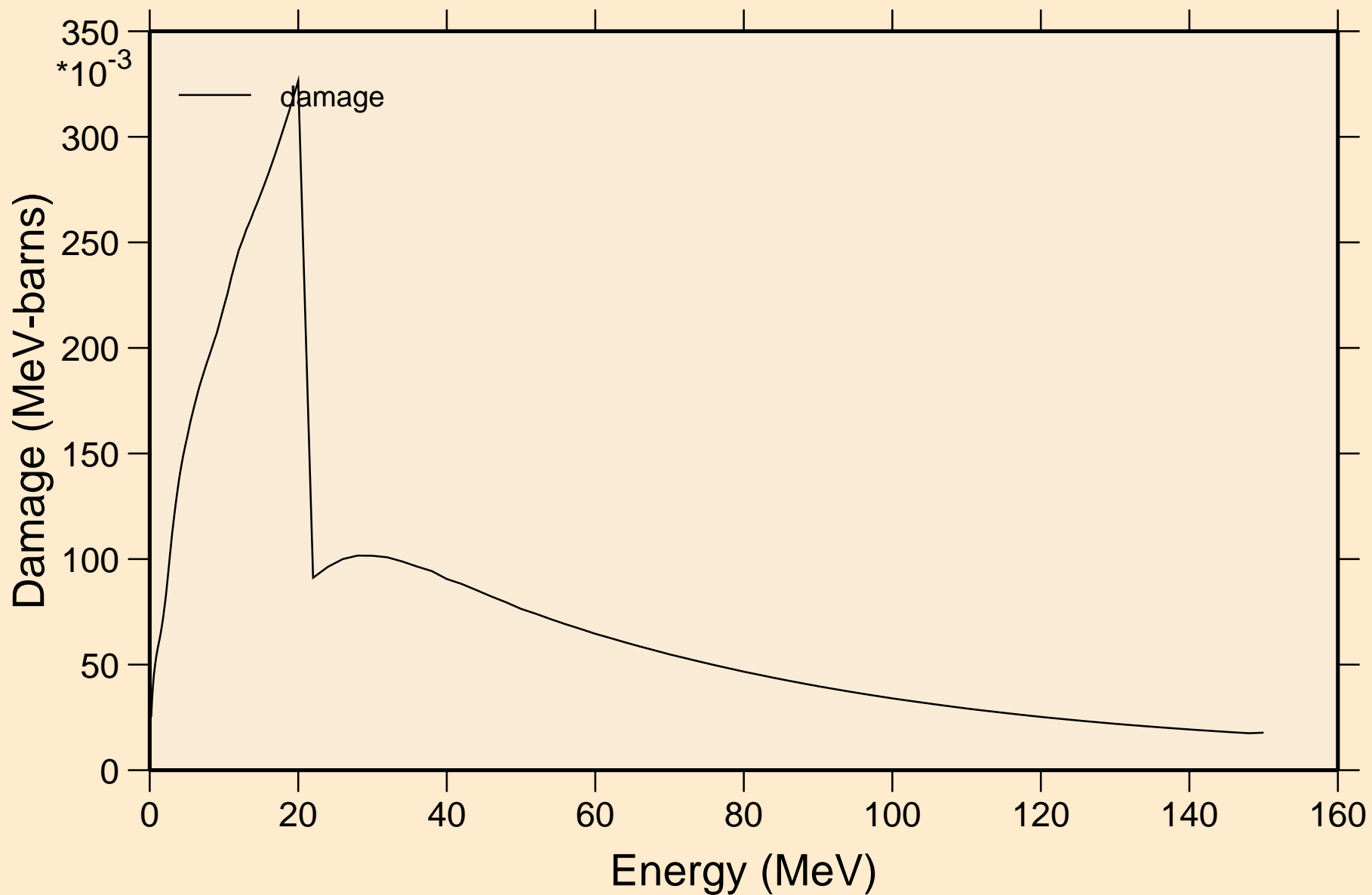
Principal cross sections



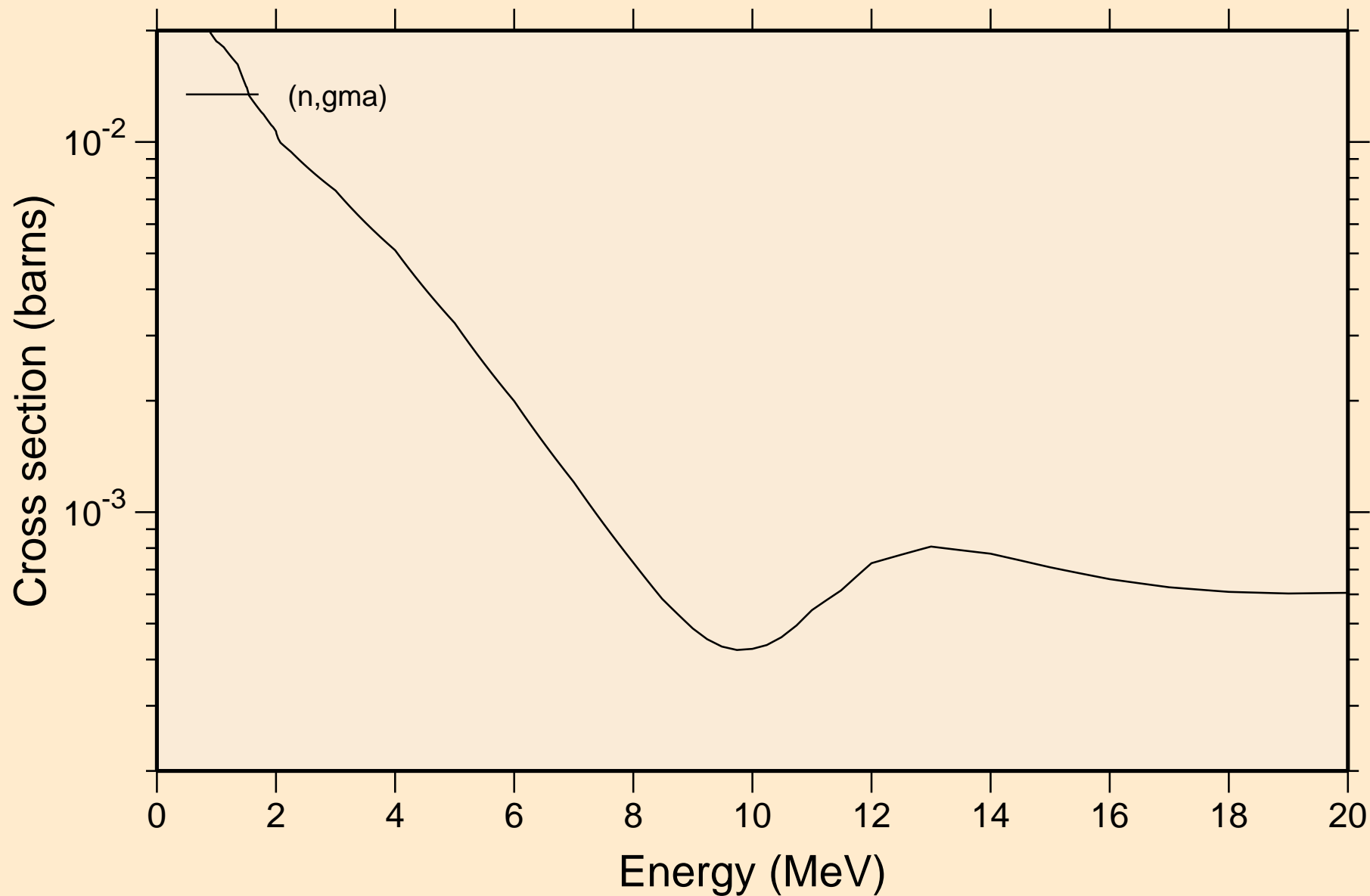
31-GA-69 FOR FENDL-3.2 FROM FENDL-3.2 WITH NJOY2016.60+ Heating



31-GA-69 FOR FENDL-3.2 FROM FENDL-3.2 WITH NJOY2016.60+ Damage

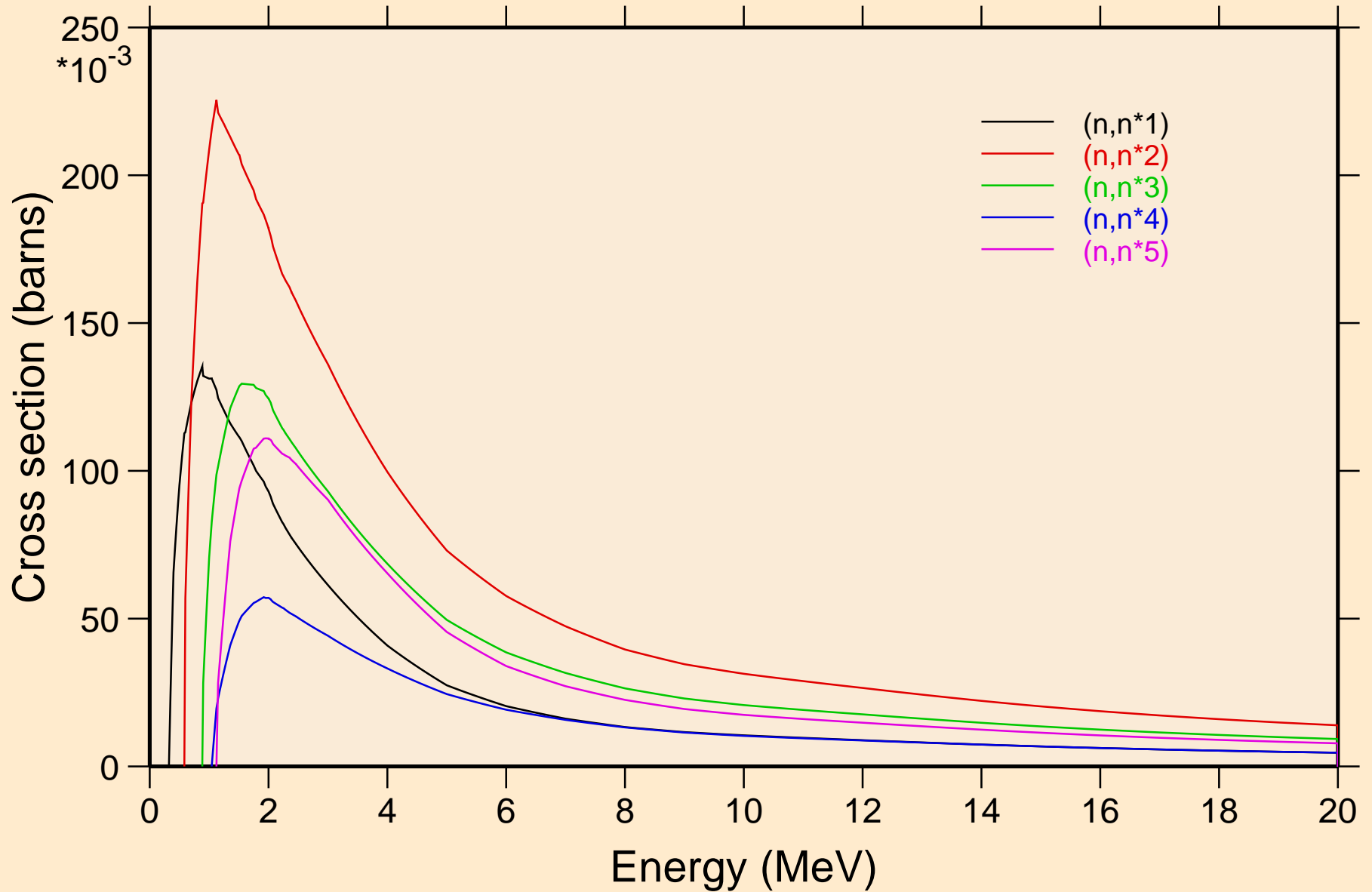


31-GA-69 FOR FENDL-3.2 FROM FENDL-3.2 WITH NJOY2016.60+
Non-threshold reactions

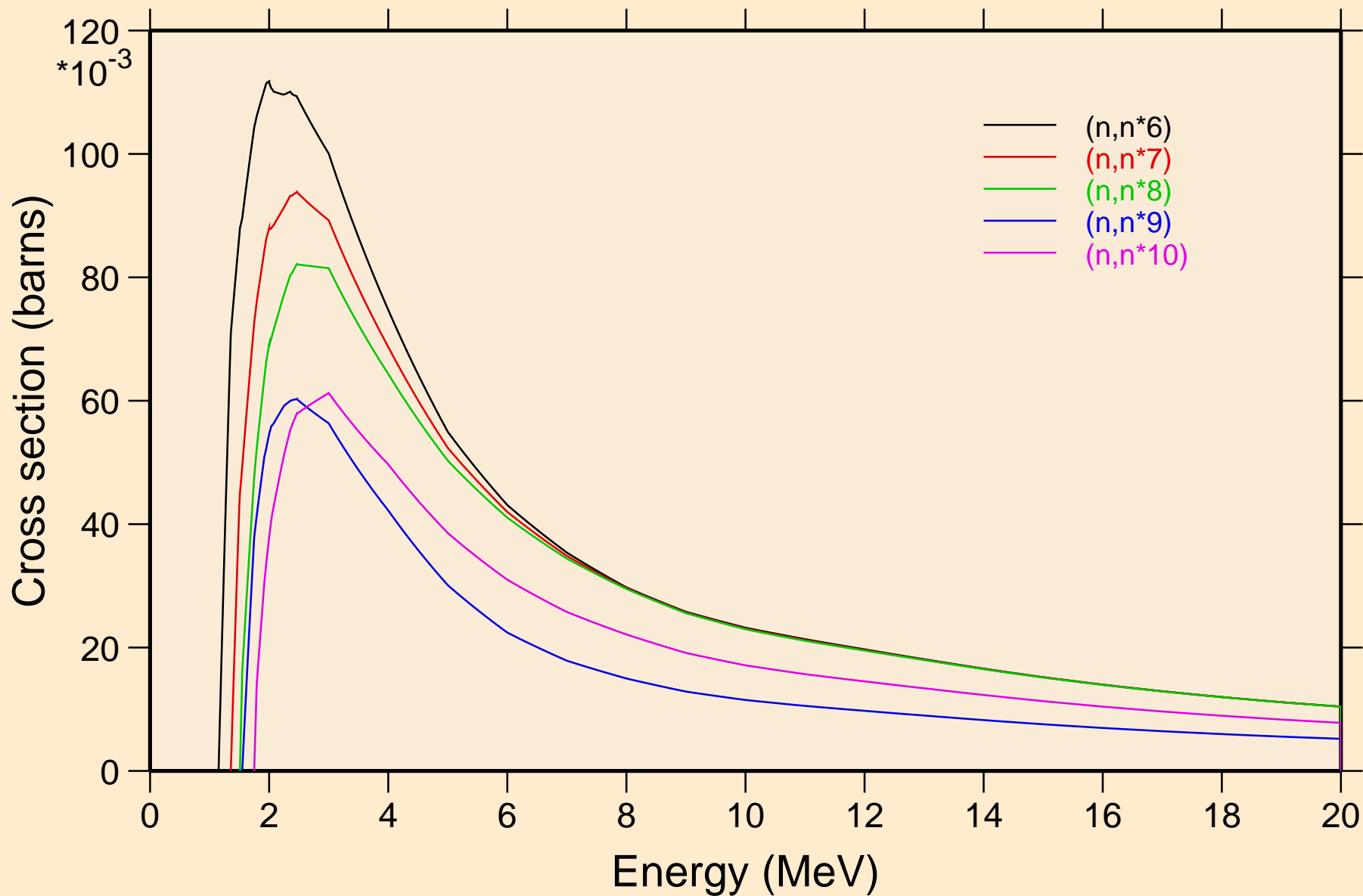


31-GA-69 FOR FENDL-3.2 FROM FENDL-3.2 WITH NJOY2016.60+

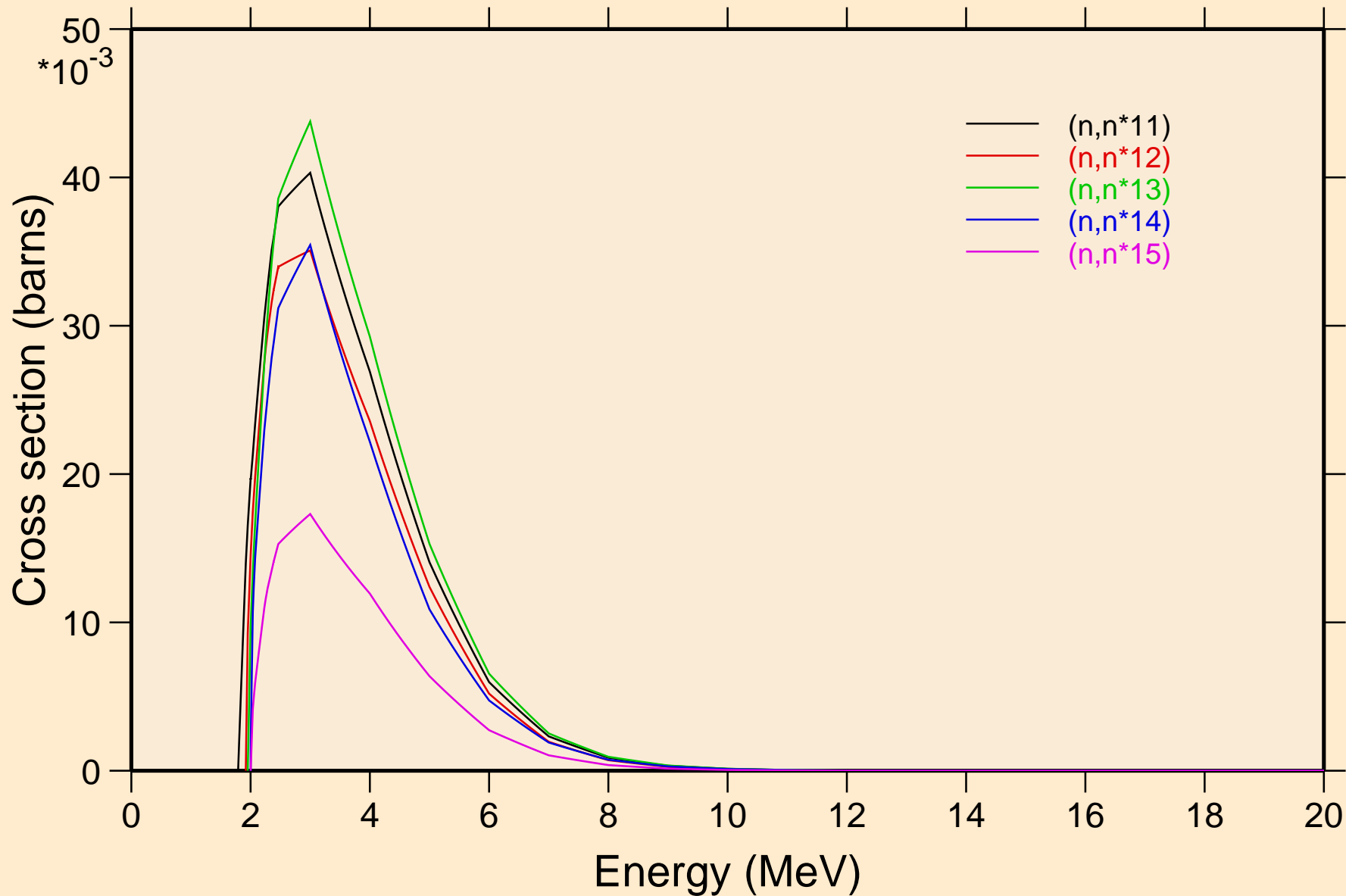
Inelastic levels



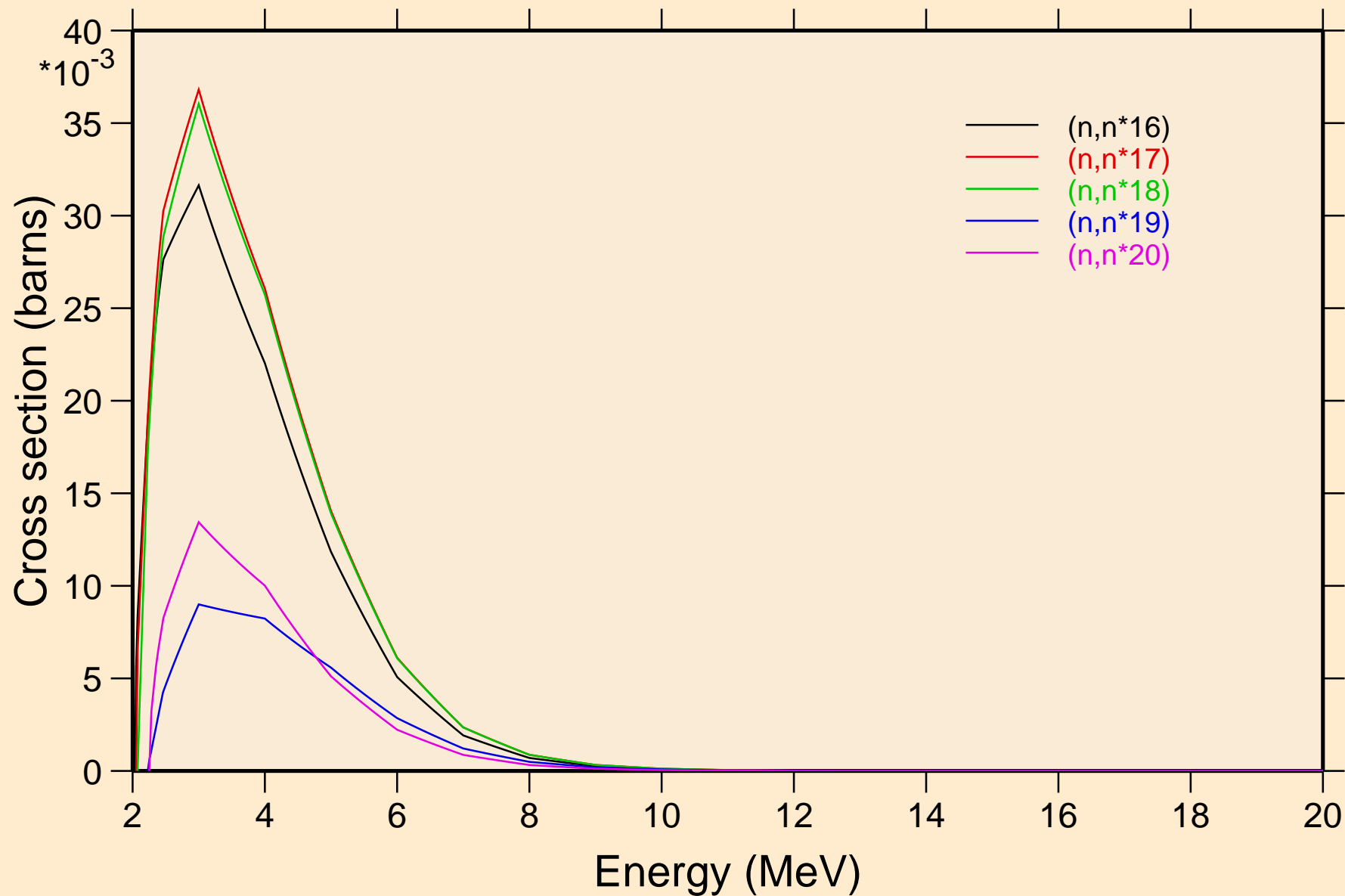
31-GA-69 FOR FENDL-3.2 FROM FENDL-3.2 WITH NJOY2016.60+ Inelastic levels



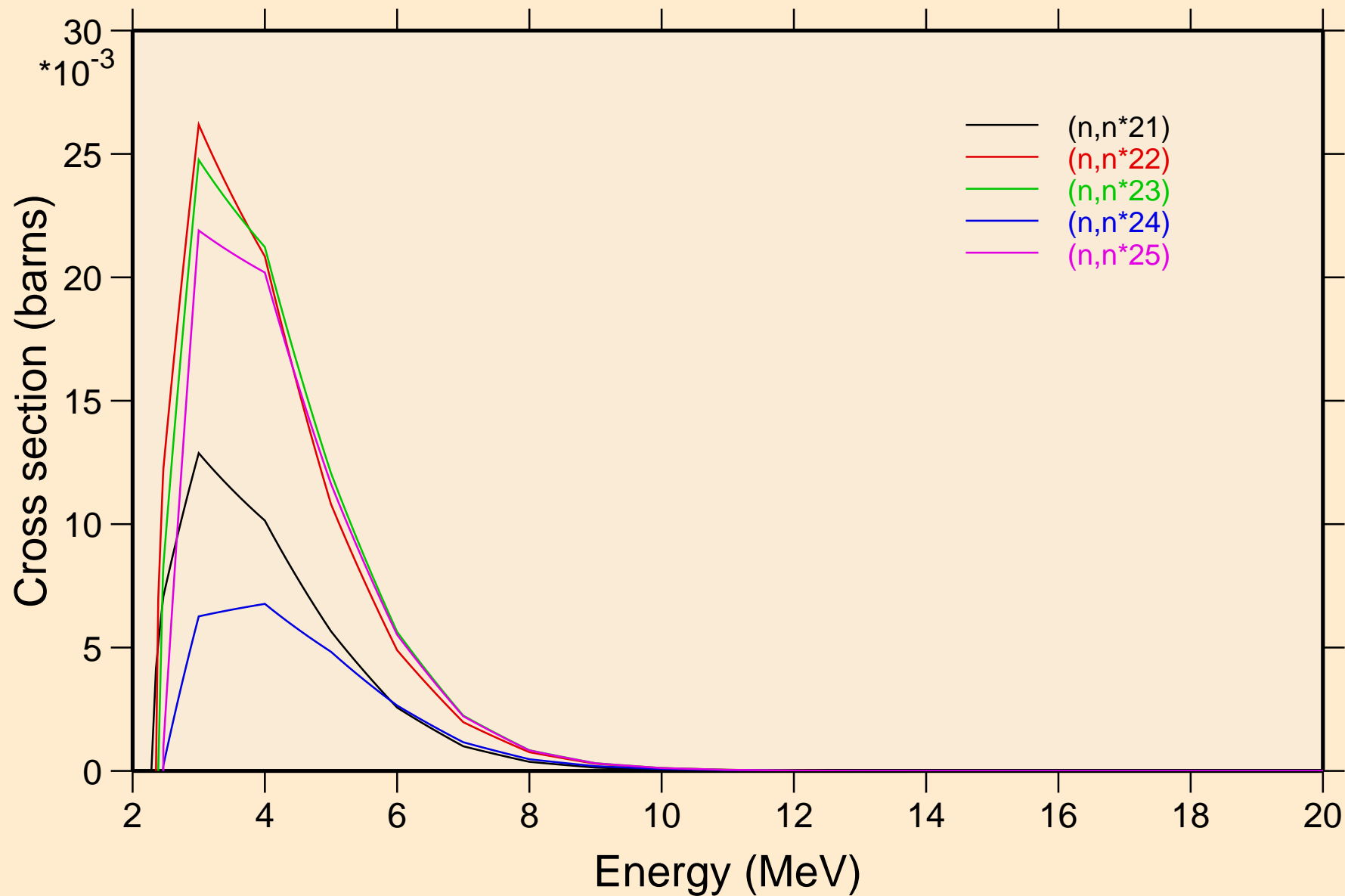
31-GA-69 FOR FENDL-3.2 FROM FENDL-3.2 WITH NJOY2016.60+ Inelastic levels



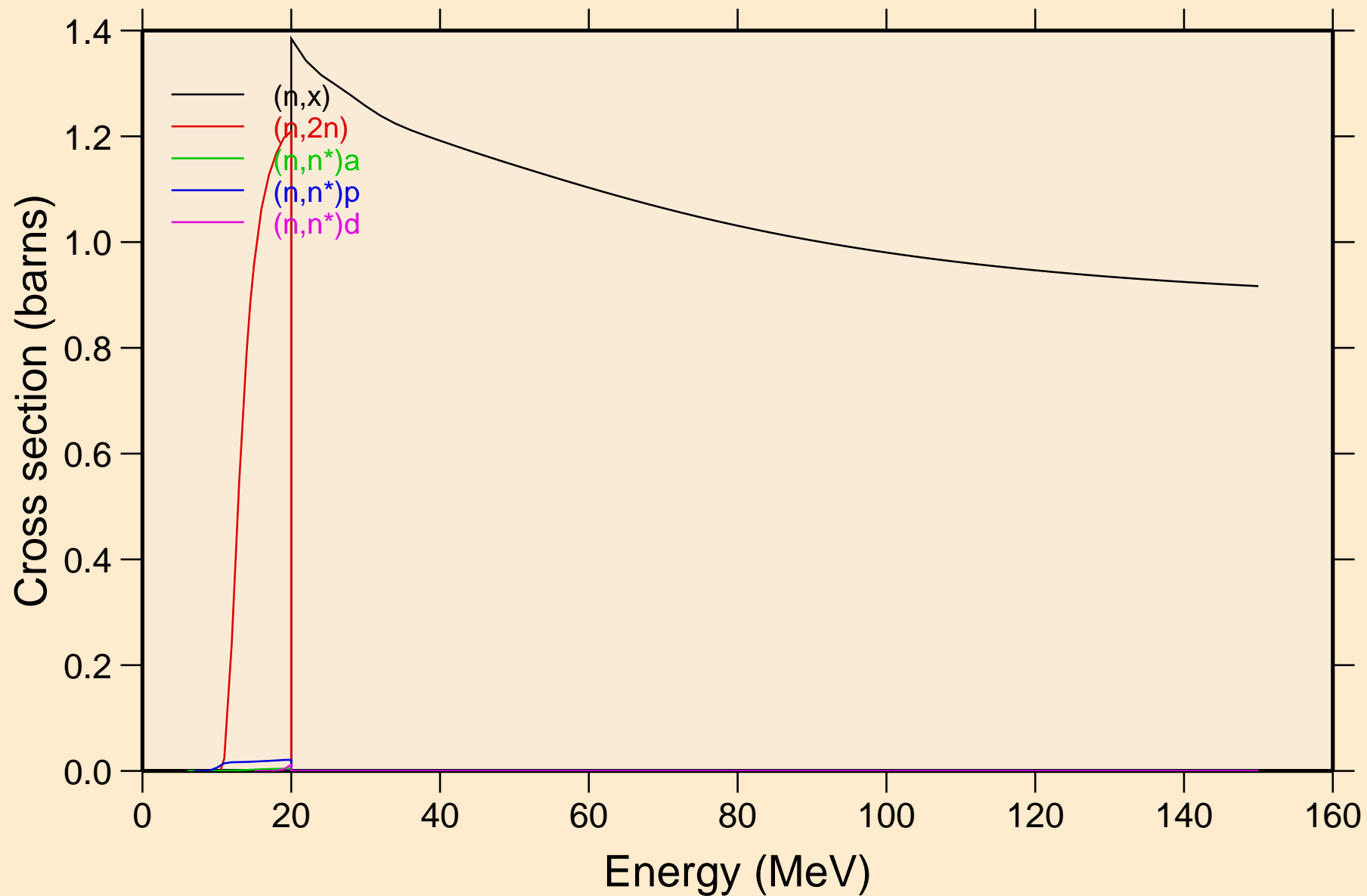
31-GA-69 FOR FENDL-3.2 FROM FENDL-3.2 WITH NJOY2016.60+ Inelastic levels



31-GA-69 FOR FENDL-3.2 FROM FENDL-3.2 WITH NJOY2016.60+ Inelastic levels

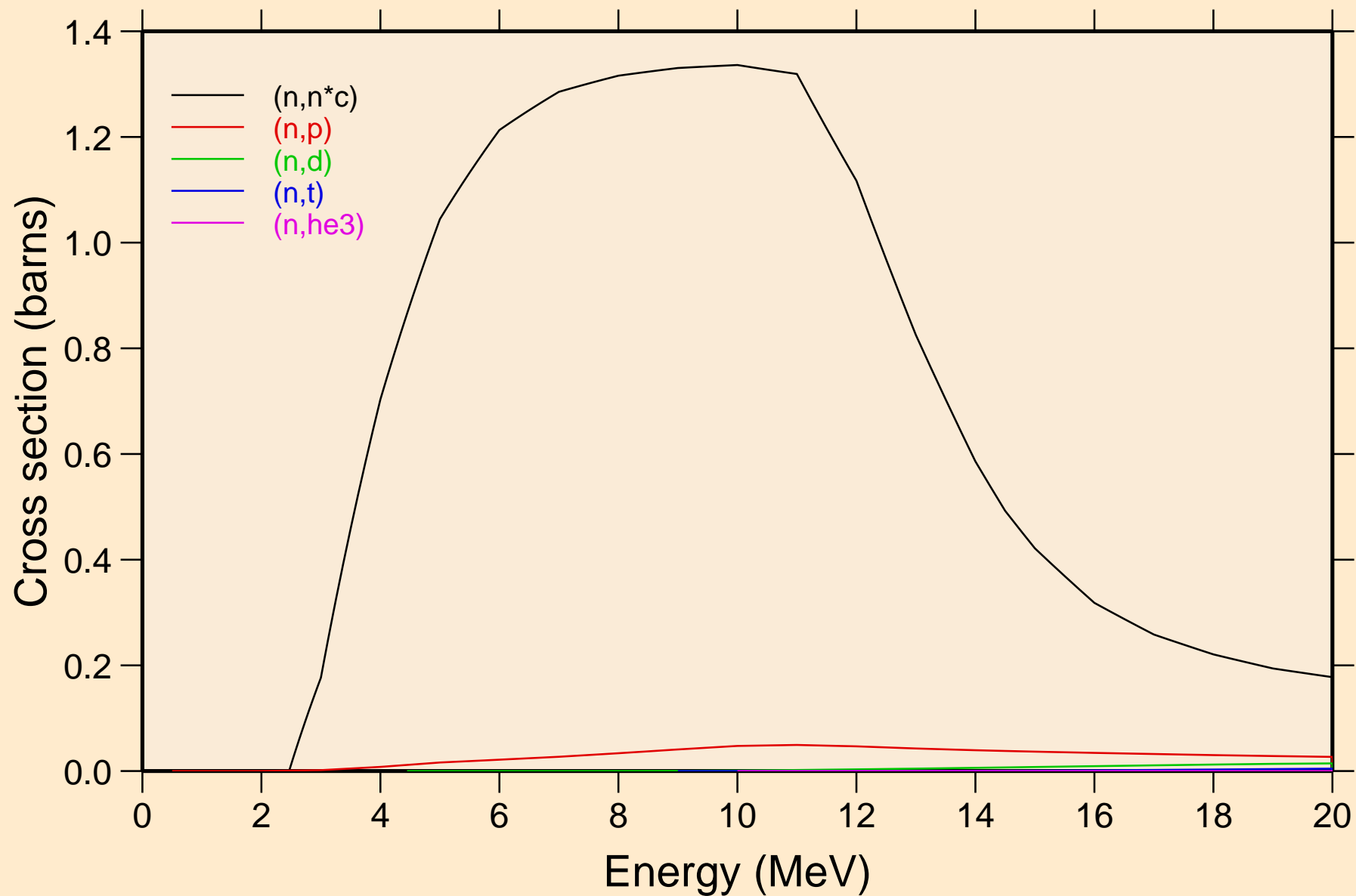


31-GA-69 FOR FENDL-3.2 FROM FENDL-3.2 WITH NJOY2016.60+
Threshold reactions

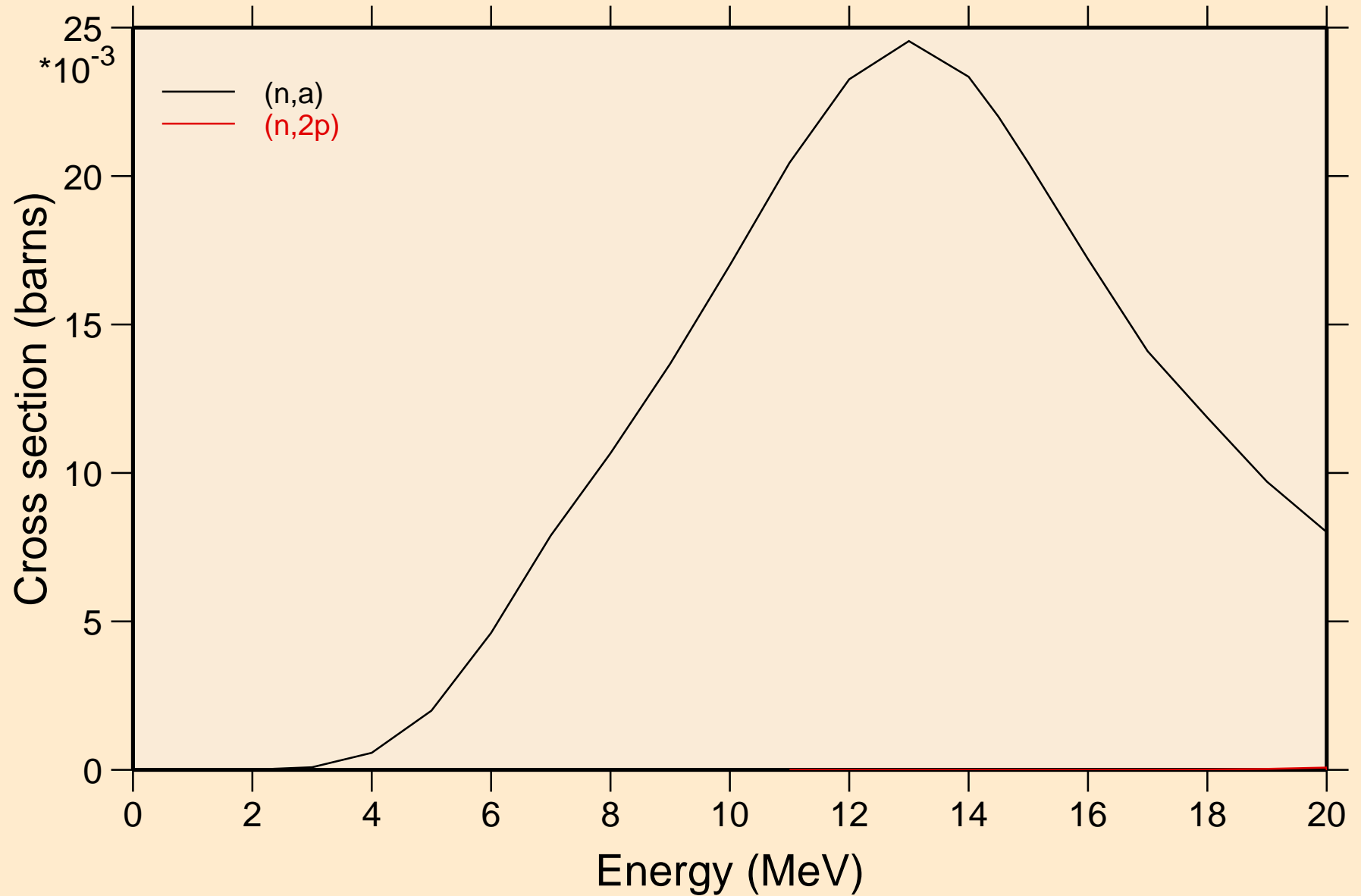


31-GA-69 FOR FENDL-3.2 FROM FENDL-3.2 WITH NJOY2016.60+

Threshold reactions

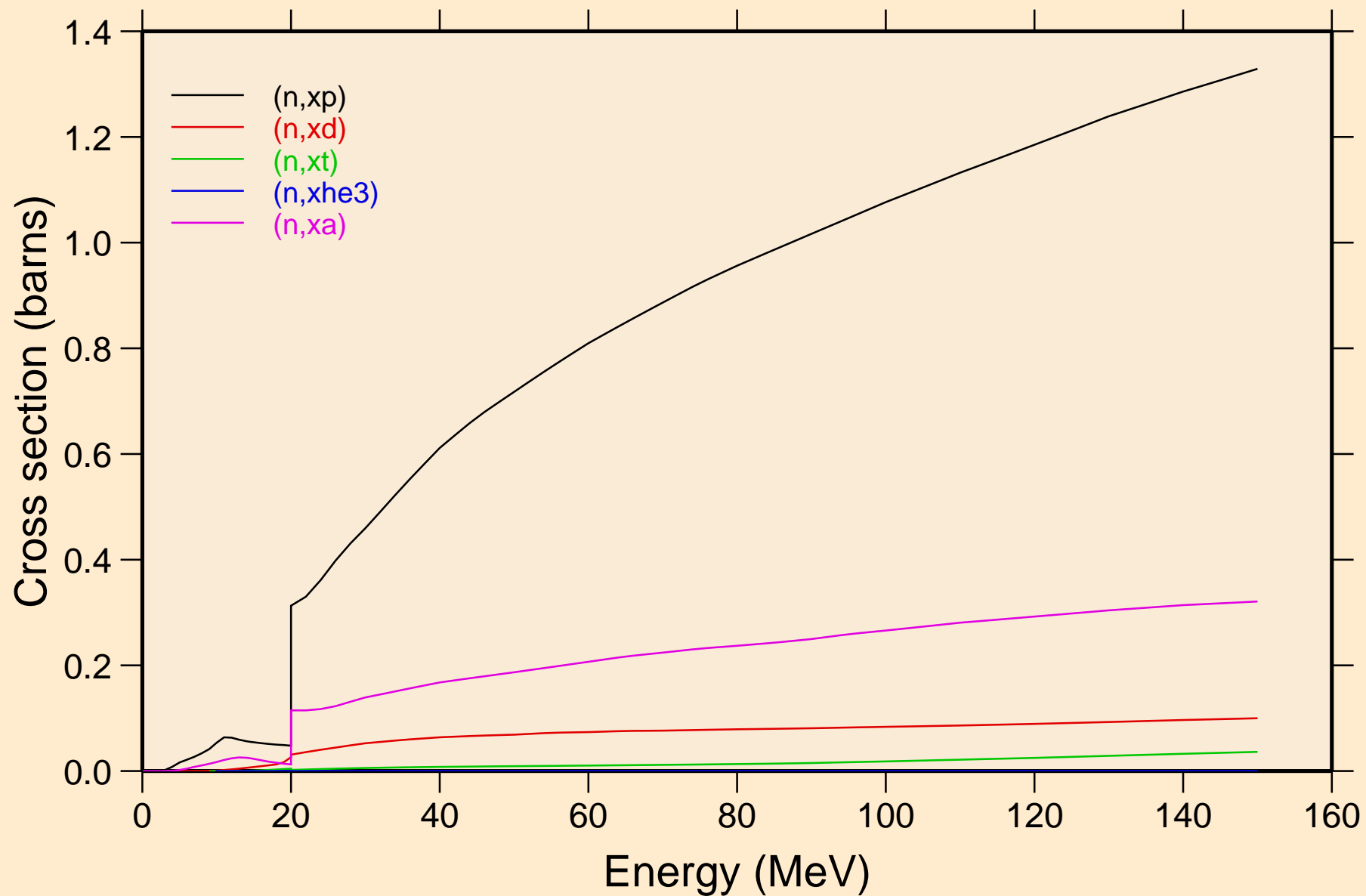


31-GA-69 FOR FENDL-3.2 FROM FENDL-3.2 WITH NJOY2016.60+
Threshold reactions

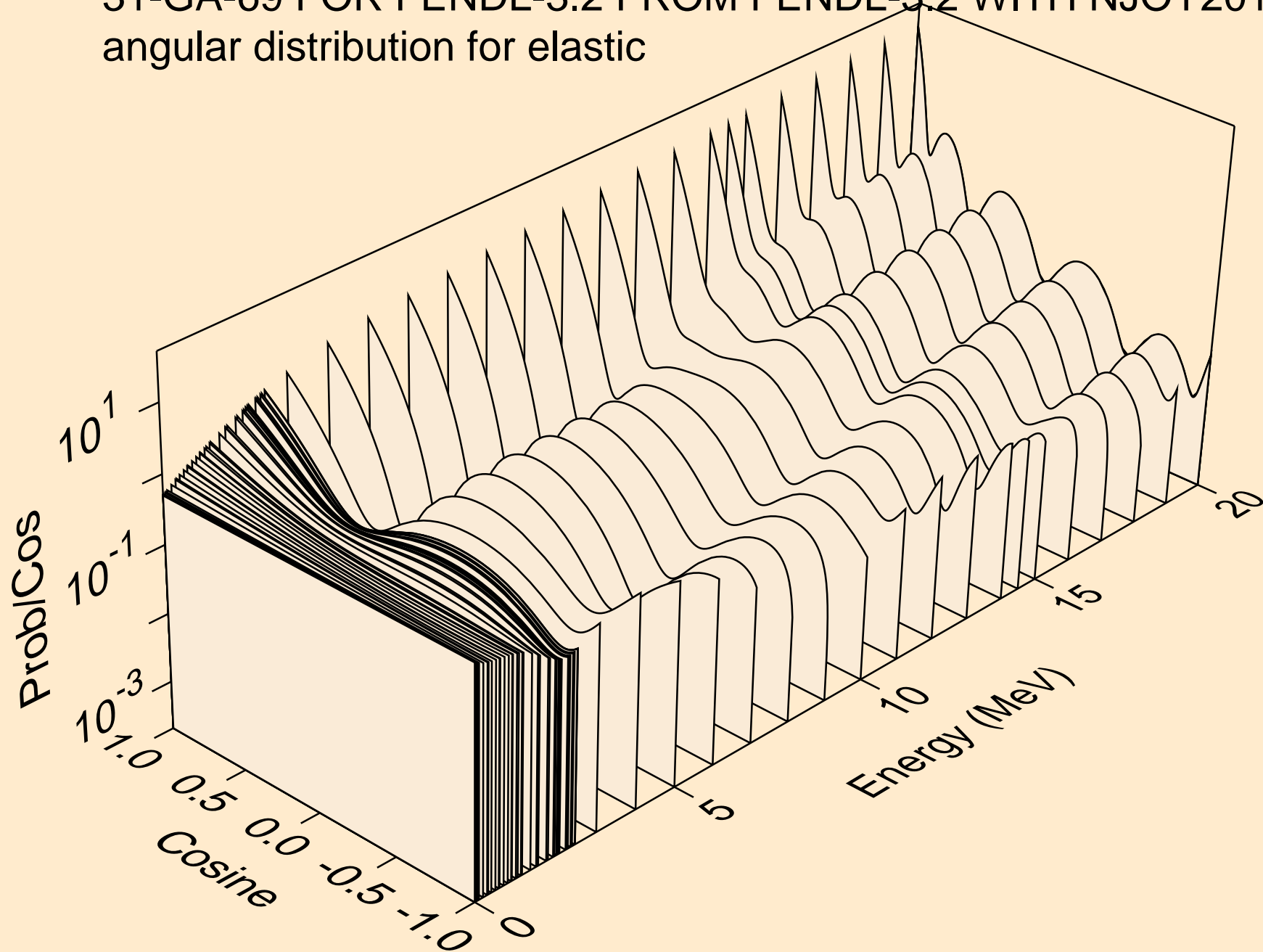


31-GA-69 FOR FENDL-3.2 FROM FENDL-3.2 WITH NJOY2016.60+

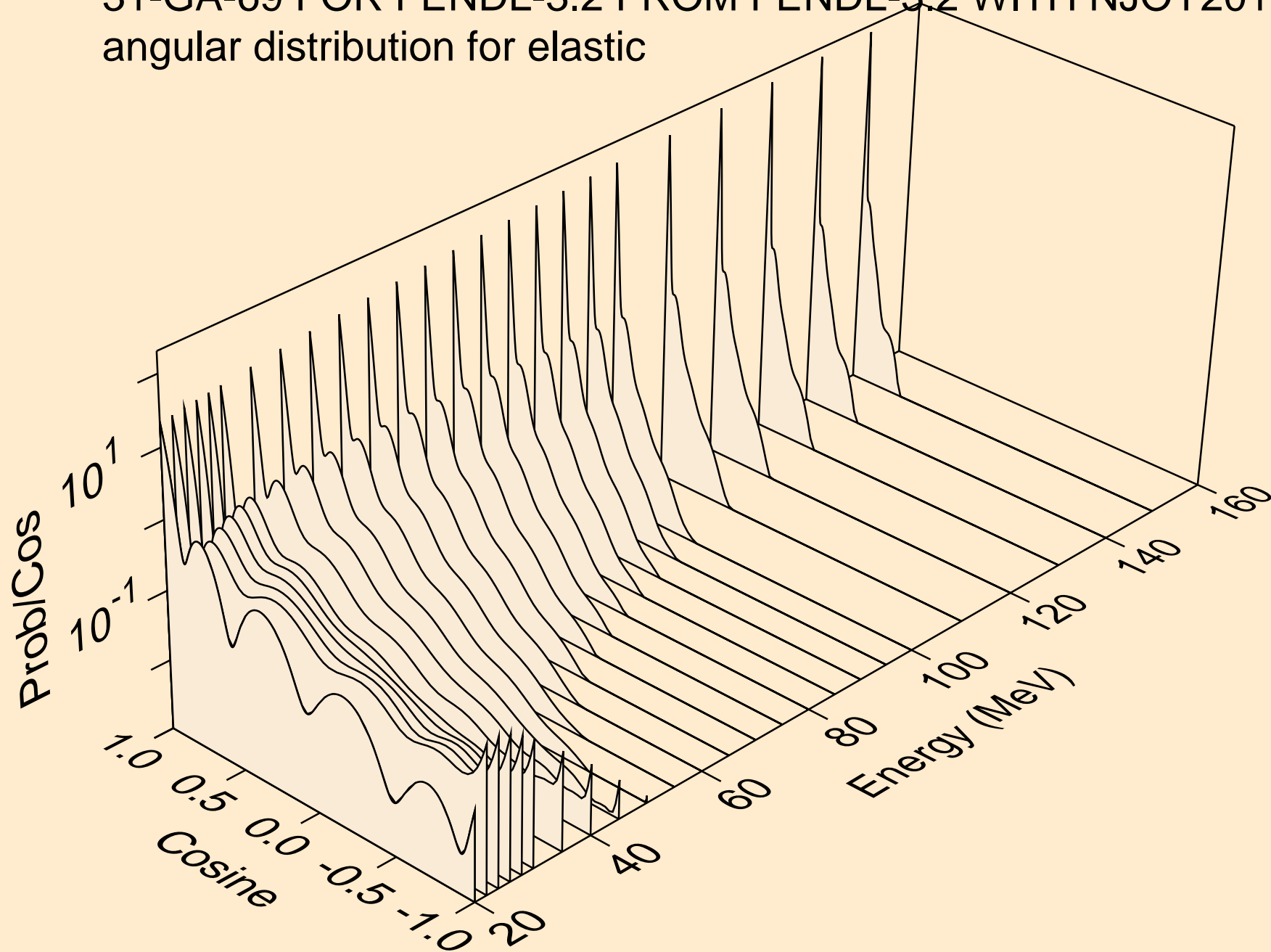
Threshold reactions



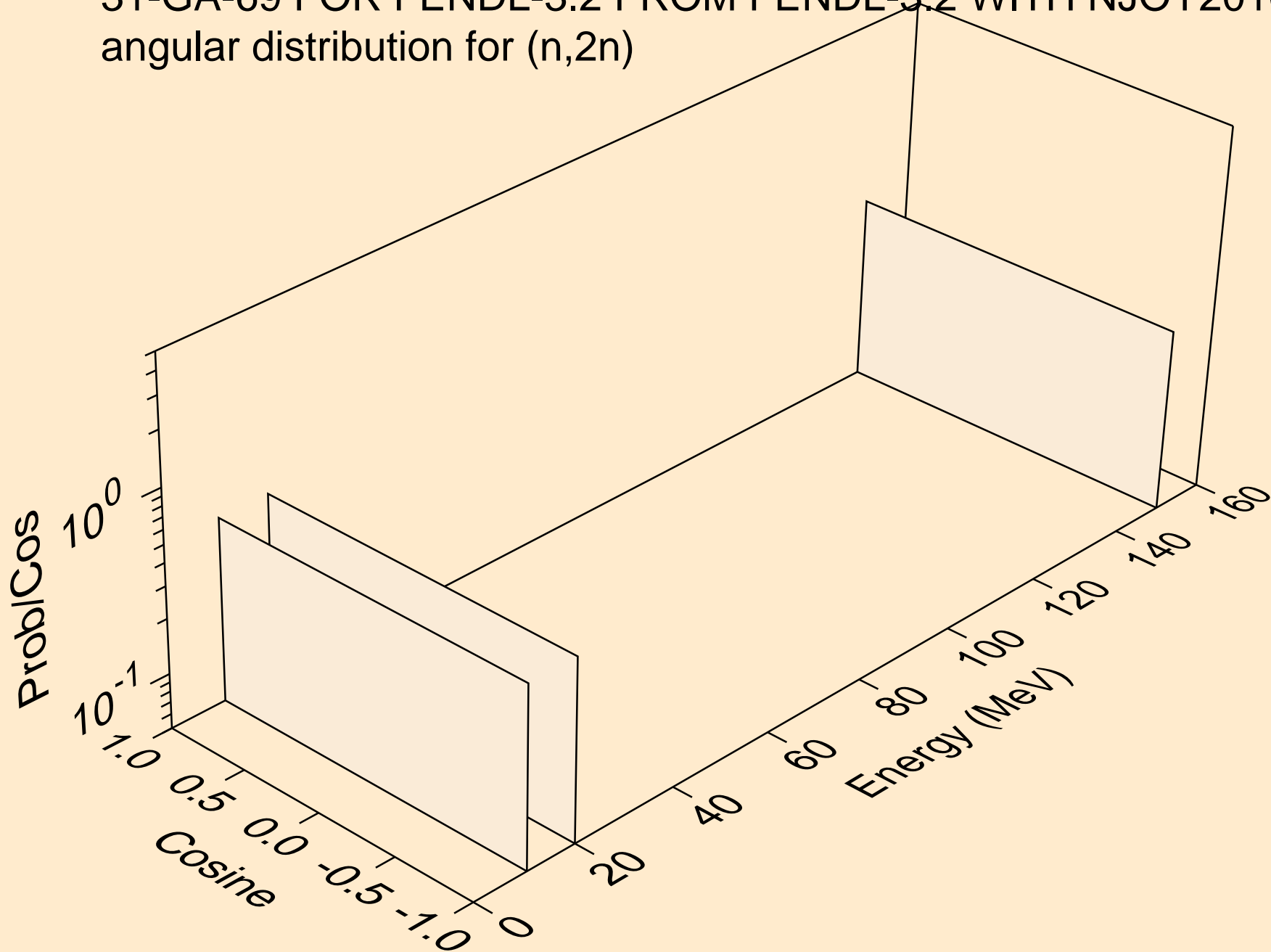
31-GA-69 FOR FENDL-3.2 FROM FENDL-3.2 WITH NJOY2016.60+
angular distribution for elastic



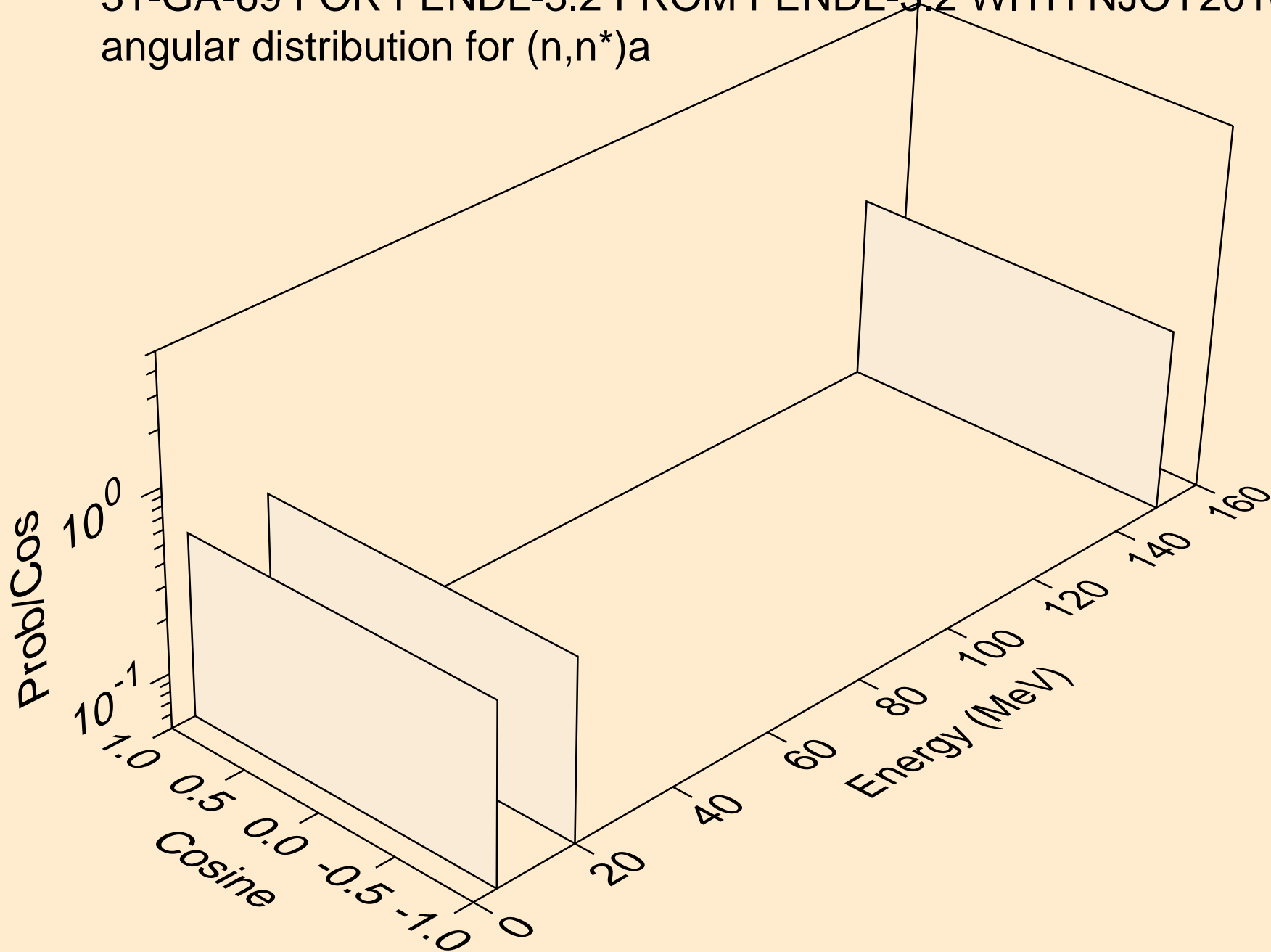
31-GA-69 FOR FENDL-3.2 FROM FENDL-3.2 WITH NJOY2016.60+
angular distribution for elastic



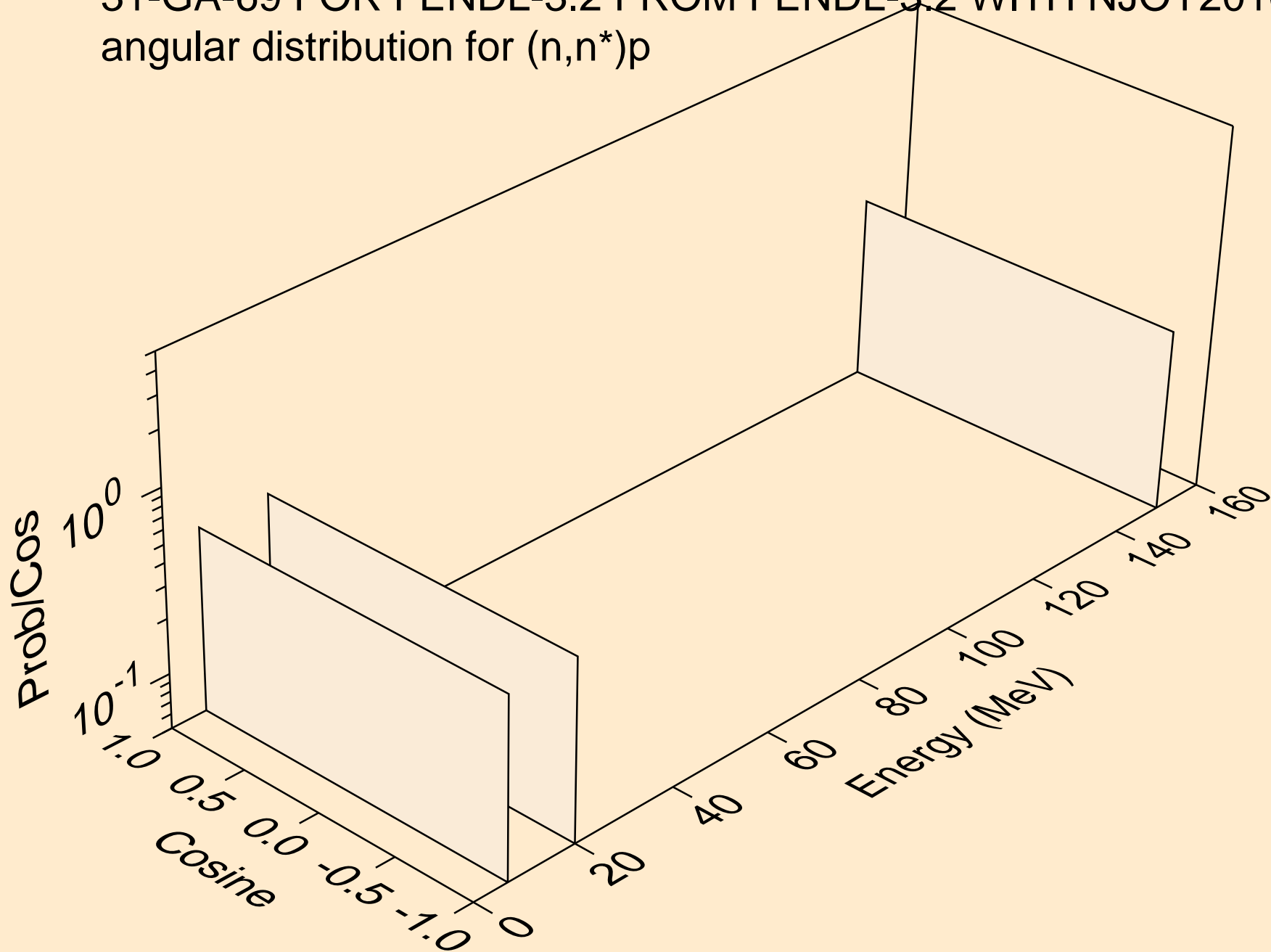
31-GA-69 FOR FENDL-3.2 FROM FENDL-3.2 WITH NJOY2016.60+
angular distribution for (n,2n)



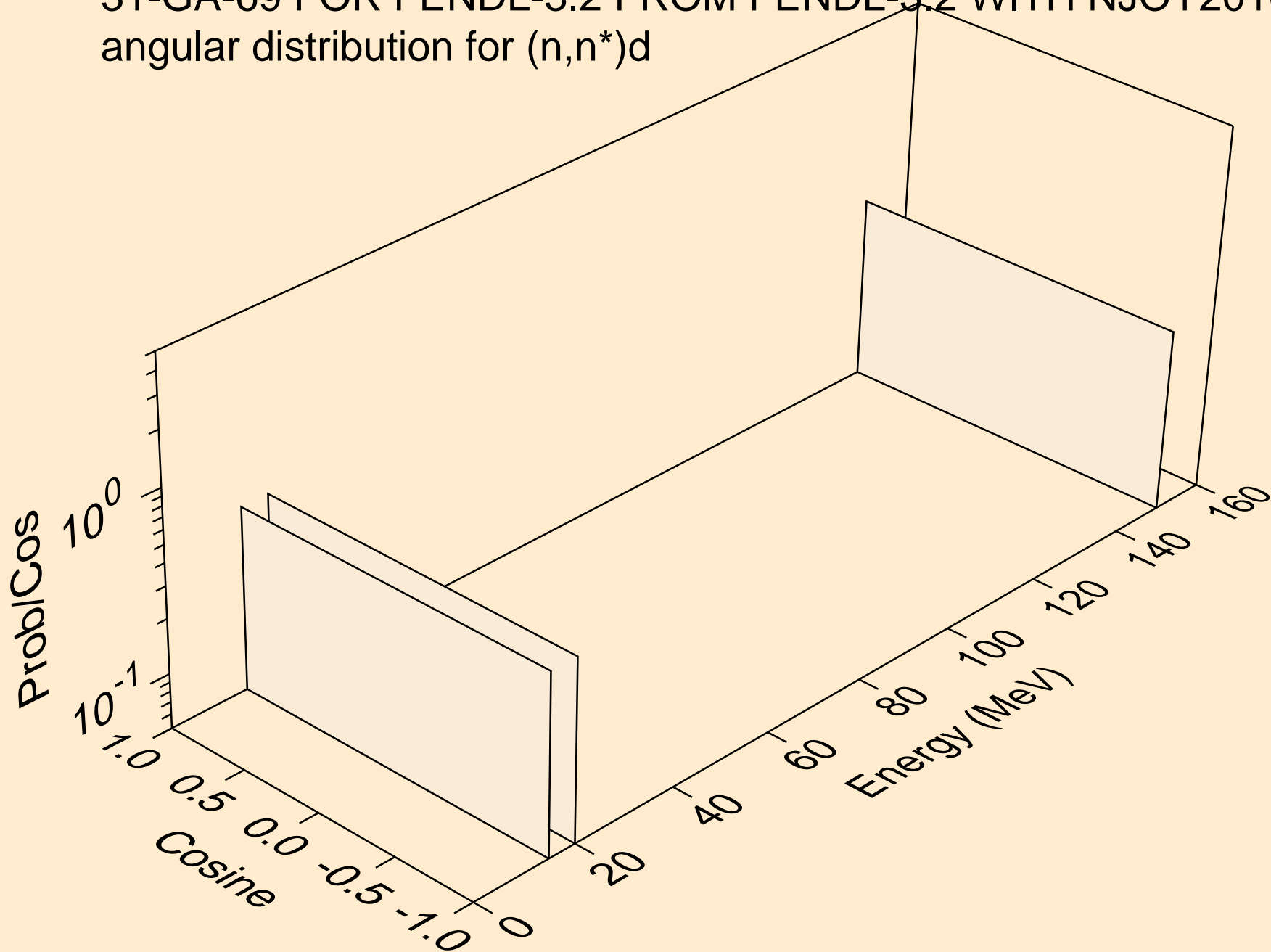
31-GA-69 FOR FENDL-3.2 FROM FENDL-3.2 WITH NJOY2016.60+
angular distribution for (n,n*)a



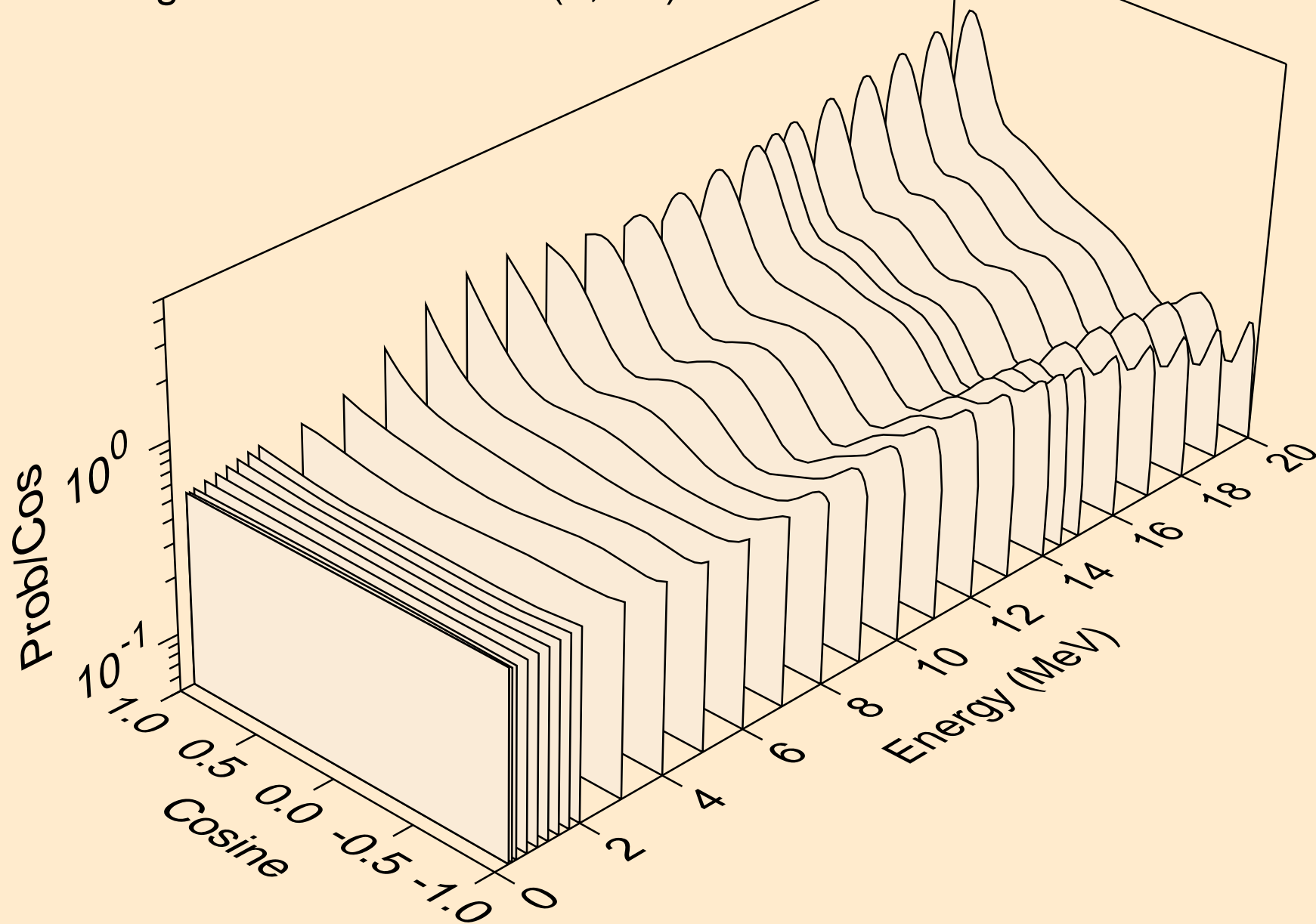
31-GA-69 FOR FENDL-3.2 FROM FENDL-3.2 WITH NJOY2016.60+
angular distribution for (n,n*)p



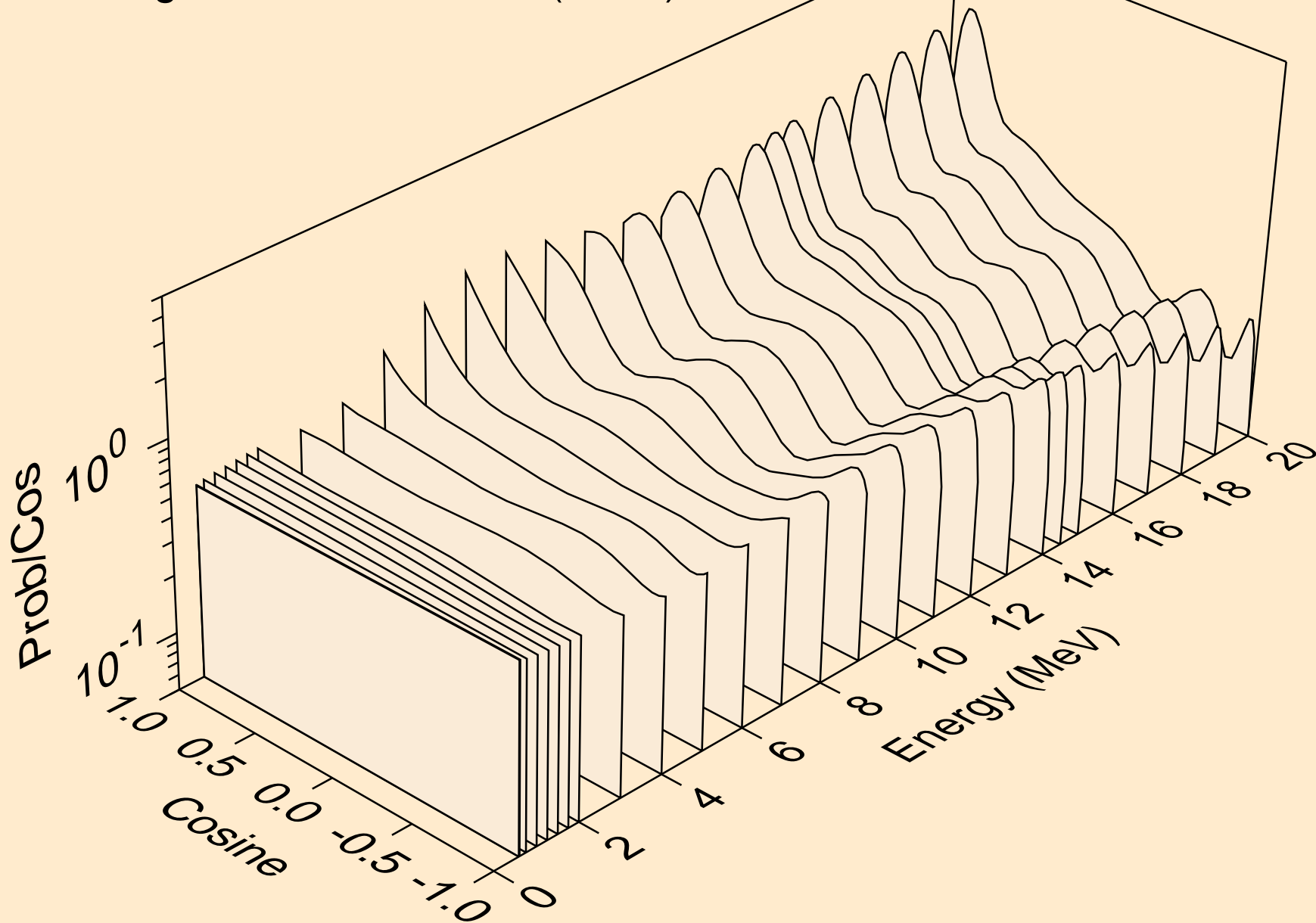
31-GA-69 FOR FENDL-3.2 FROM FENDL-3.2 WITH NJOY2016.60+
angular distribution for (n,n*)d



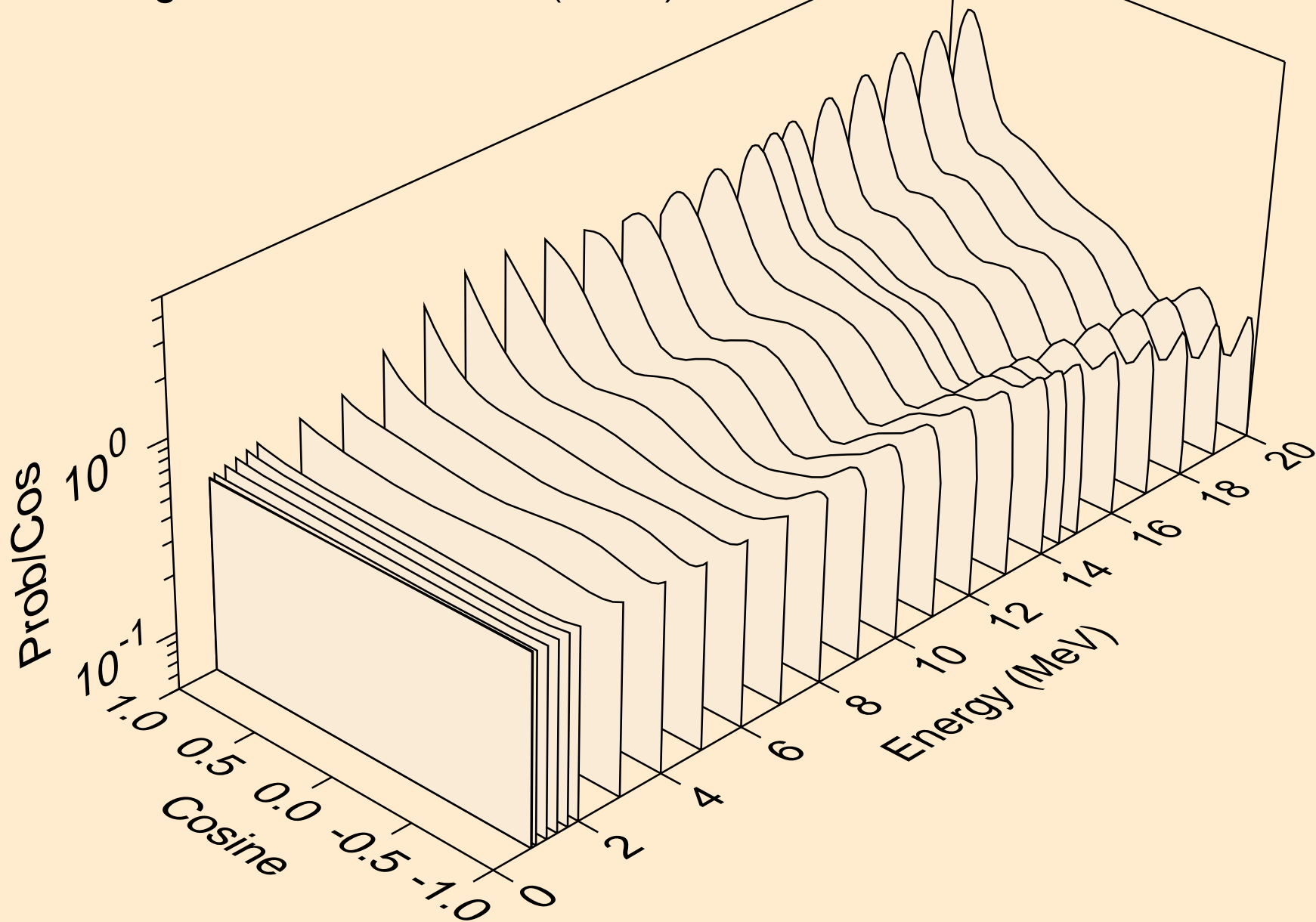
31-GA-69 FOR FENDL-3.2 FROM FENDL-3.2 WITH NJOY2016.60+
angular distribution for (n,n*1)



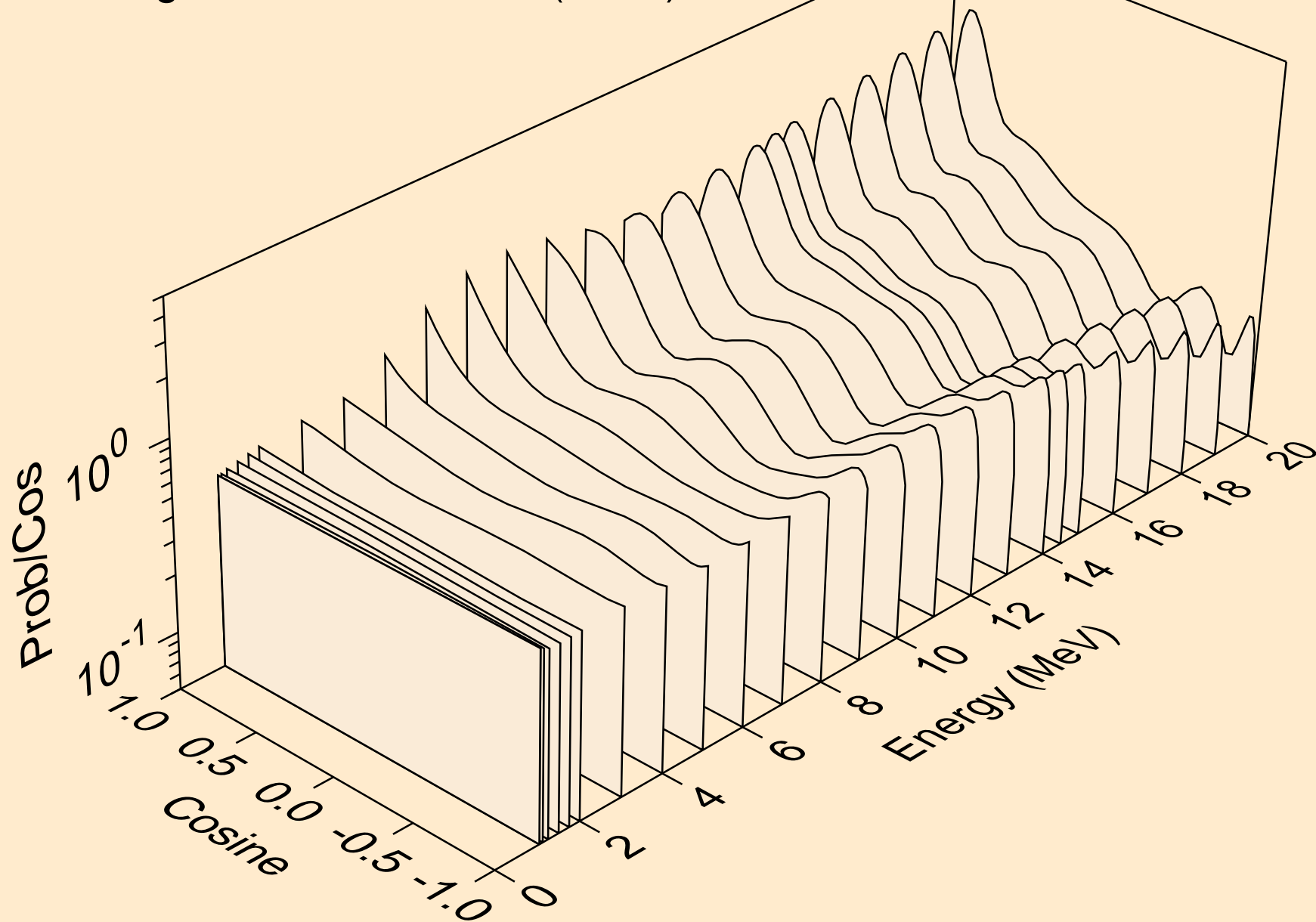
31-GA-69 FOR FENDL-3.2 FROM FENDL-3.2 WITH NJOY2016.60+
angular distribution for (n,n*2)



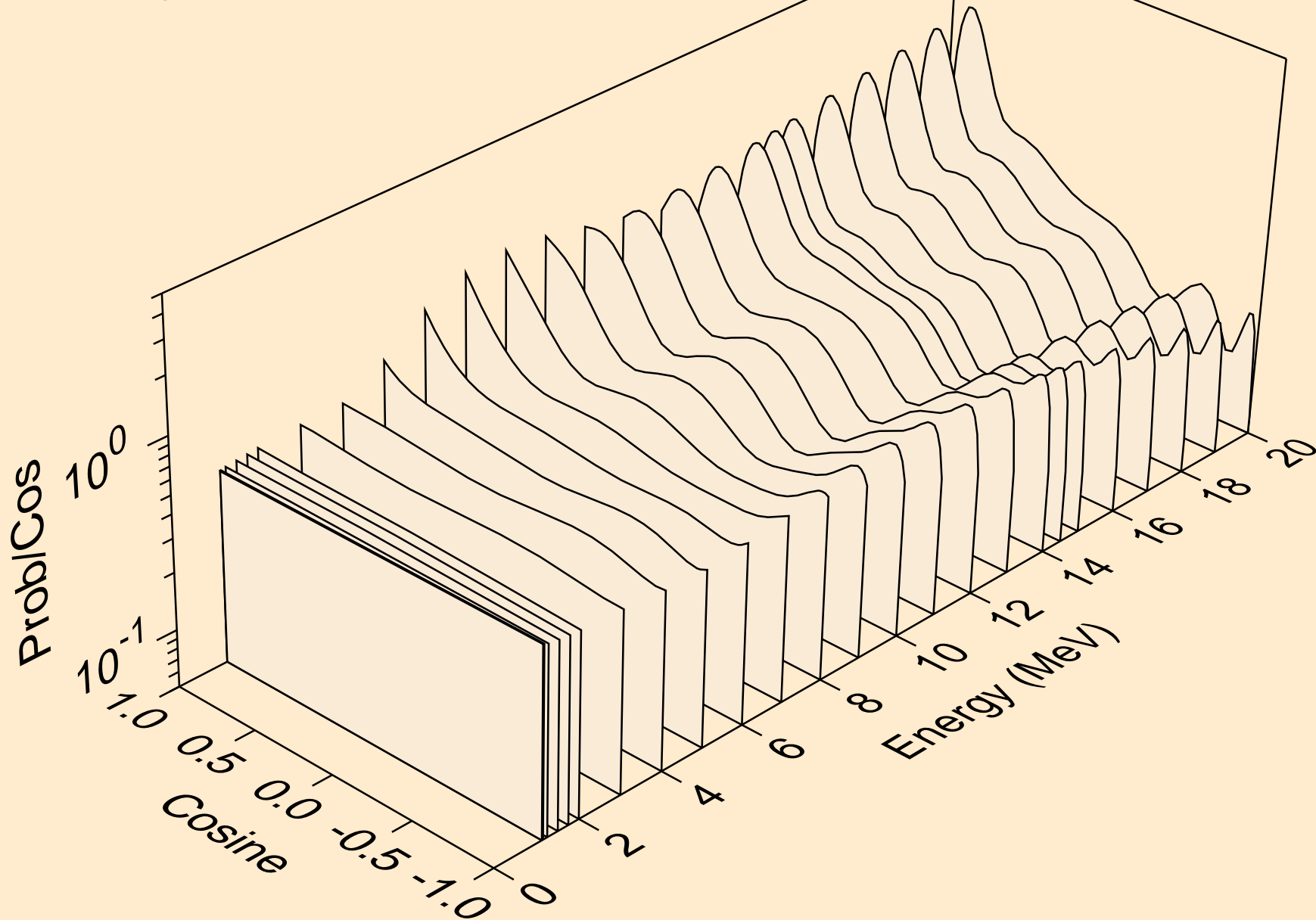
31-GA-69 FOR FENDL-3.2 FROM FENDL-3.2 WITH NJOY2016.60+
angular distribution for (n,n*3)



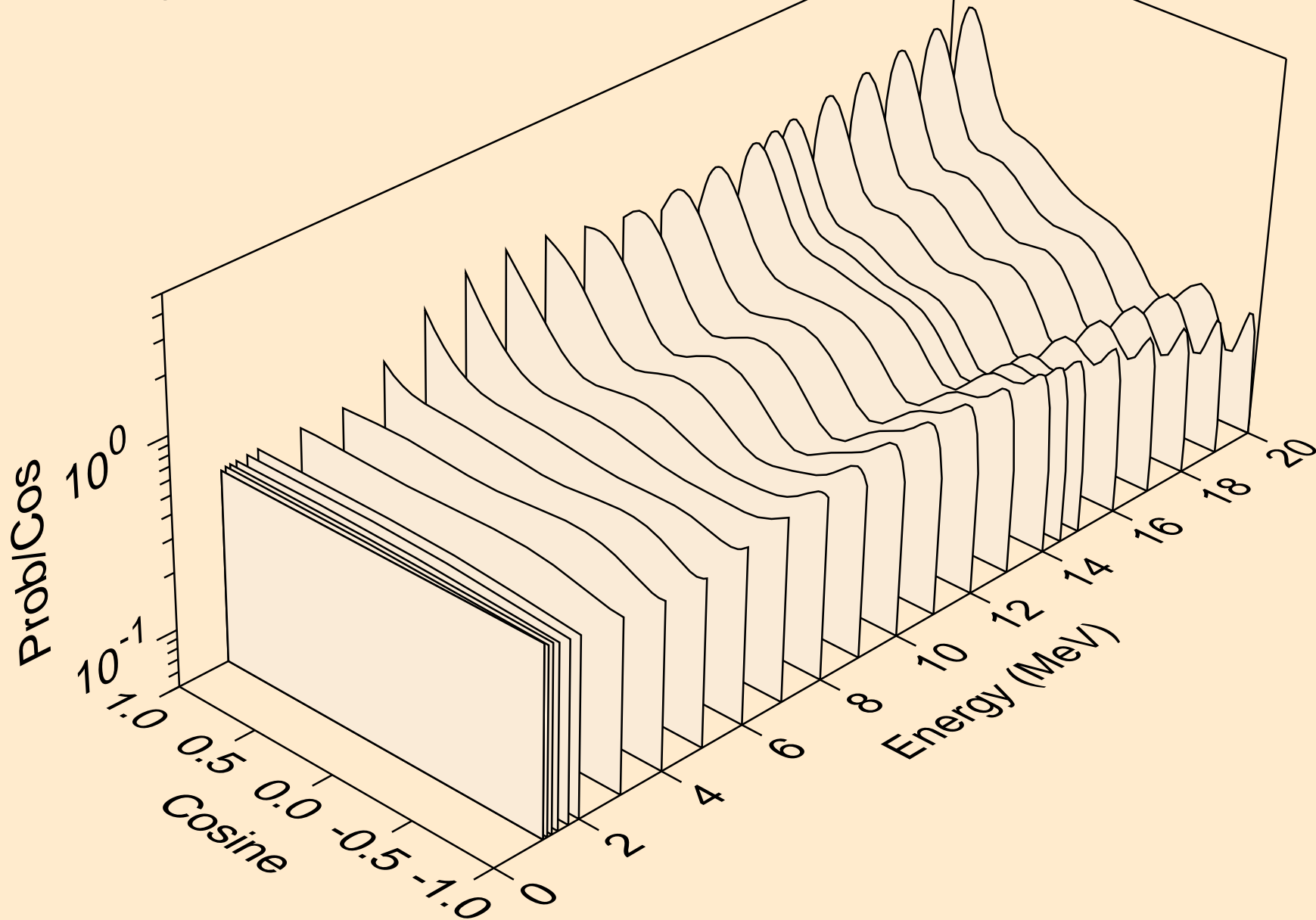
31-GA-69 FOR FENDL-3.2 FROM FENDL-3.2 WITH NJOY2016.60+
angular distribution for (n,n*4)



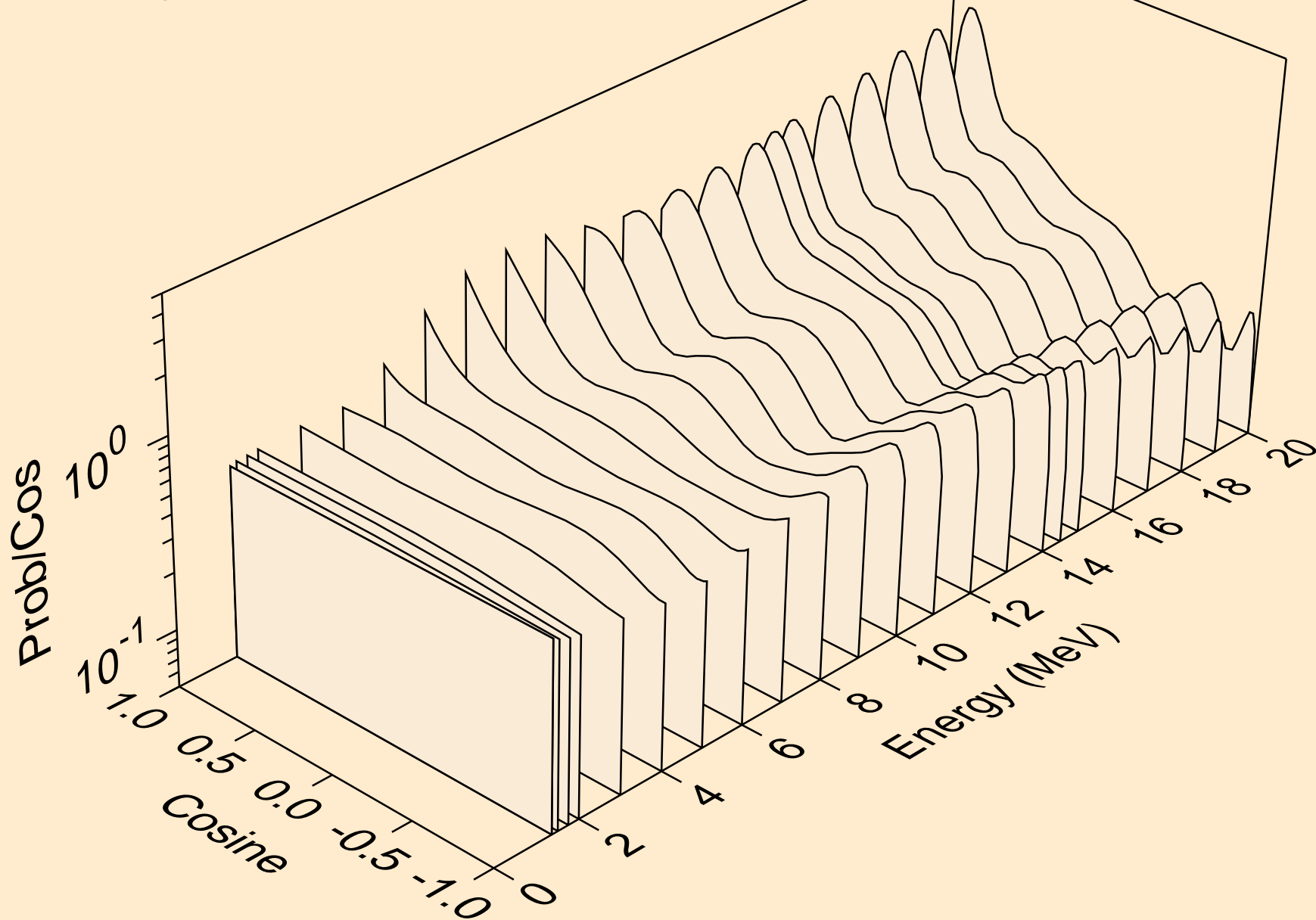
31-GA-69 FOR FENDL-3.2 FROM FENDL-3.2 WITH NJOY2016.60+
angular distribution for (n,n*5)



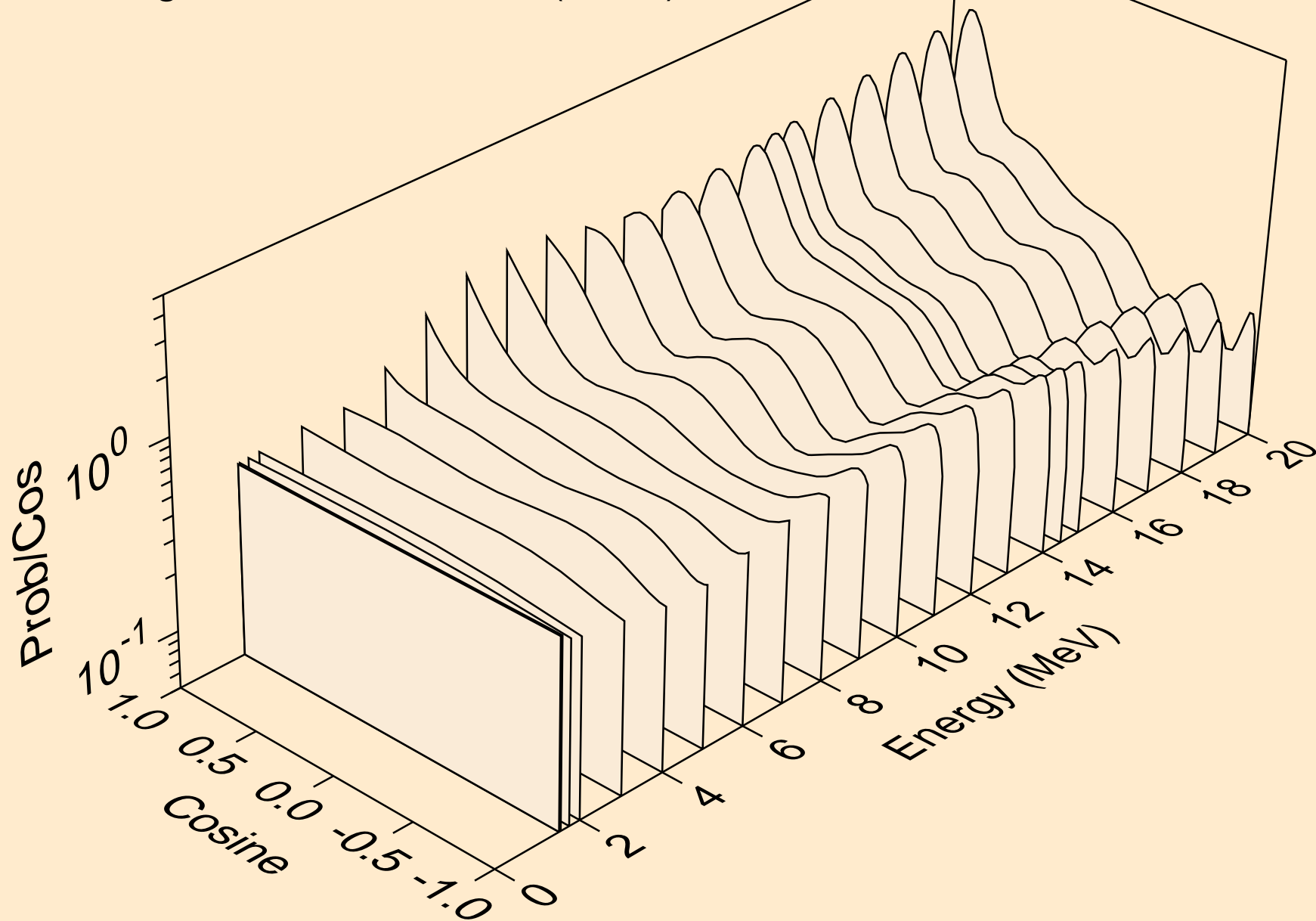
31-GA-69 FOR FENDL-3.2 FROM FENDL-3.2 WITH NJOY2016.60+
angular distribution for (n,n*6)



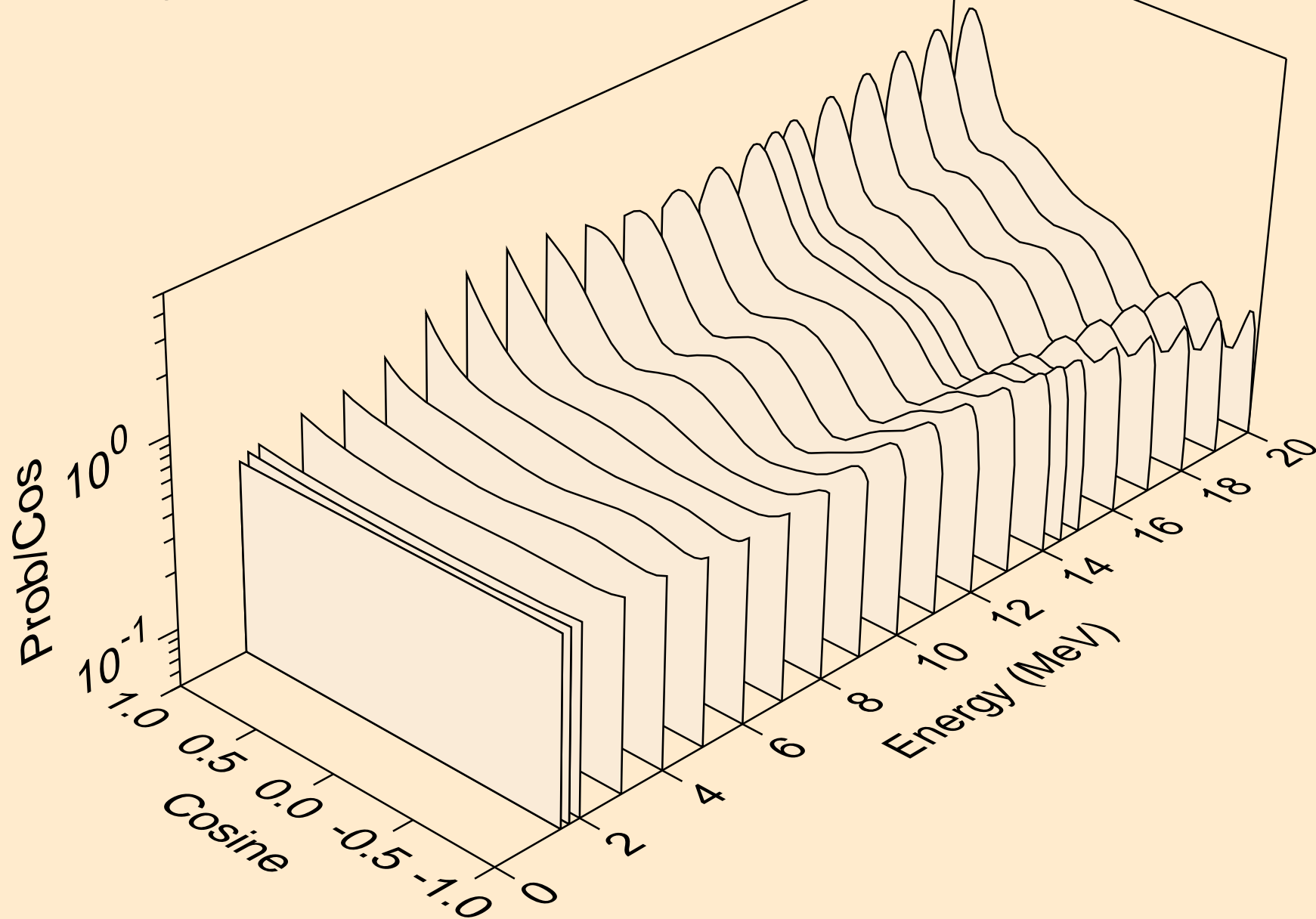
31-GA-69 FOR FENDL-3.2 FROM FENDL-3.2 WITH NJOY2016.60+
angular distribution for (n,n*7)



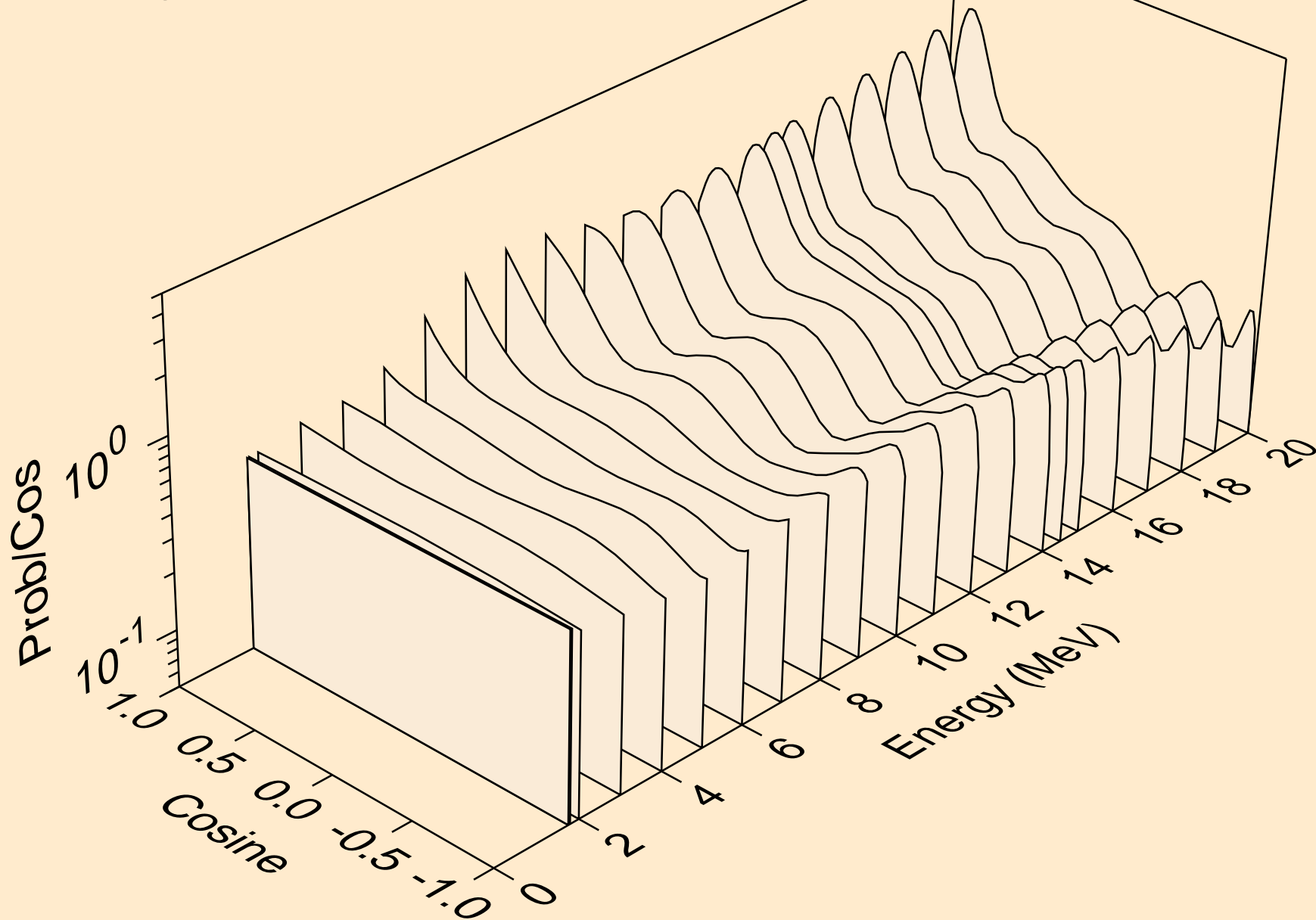
31-GA-69 FOR FENDL-3.2 FROM FENDL-3.2 WITH NJOY2016.60+
angular distribution for (n,n*8)



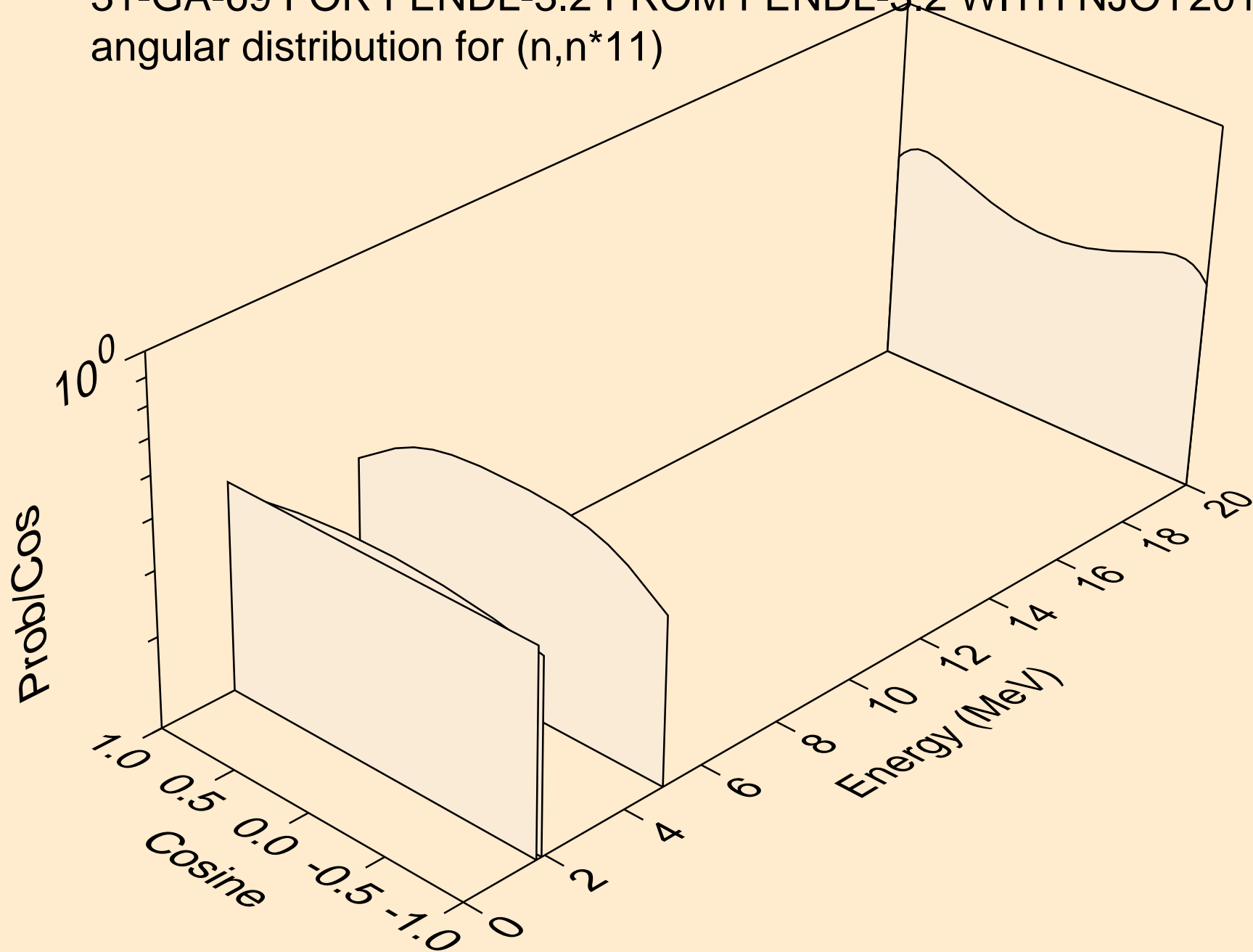
31-GA-69 FOR FENDL-3.2 FROM FENDL-3.2 WITH NJOY2016.60+
angular distribution for (n,n*9)



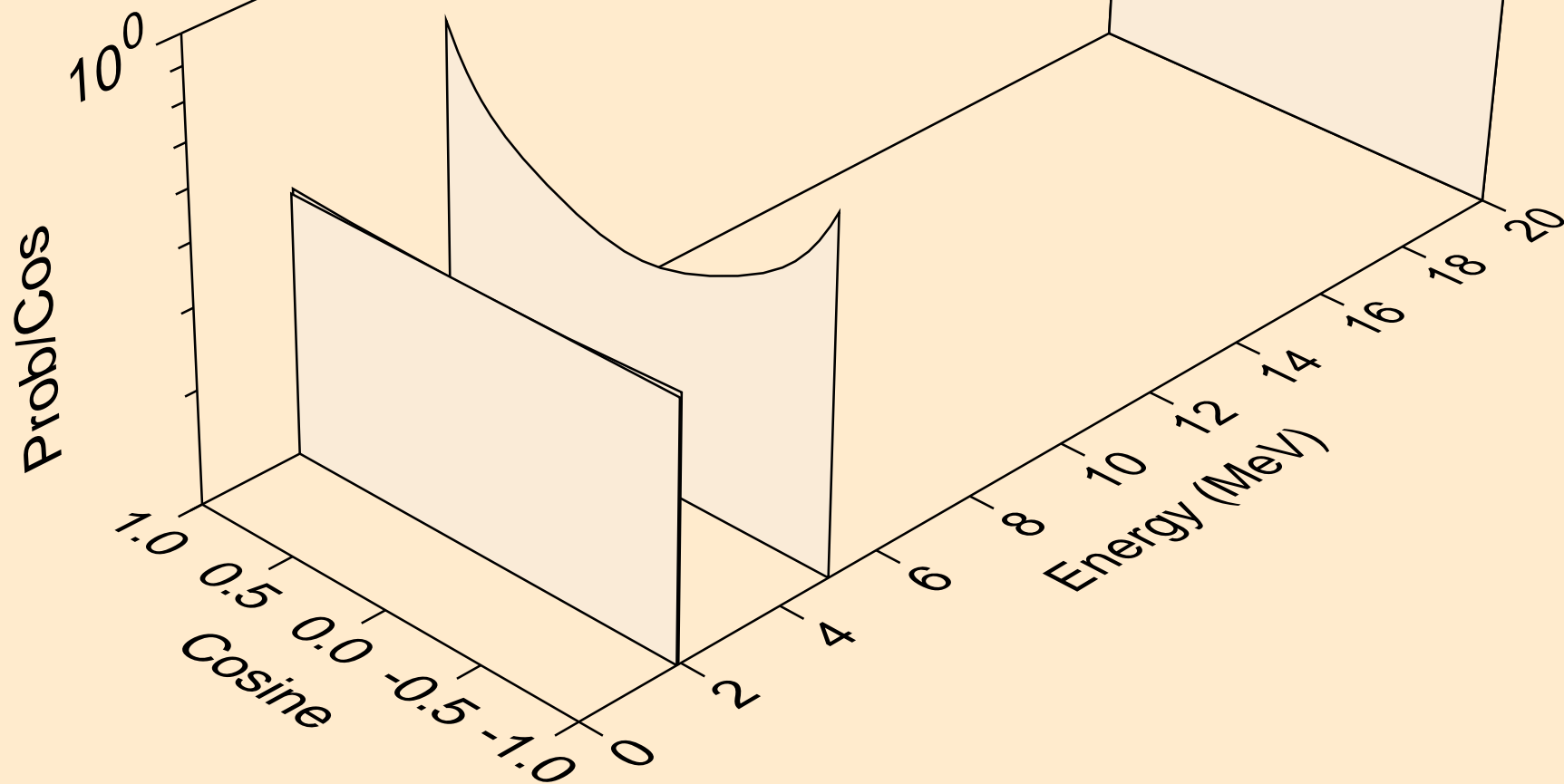
31-GA-69 FOR FENDL-3.2 FROM FENDL-3.2 WITH NJOY2016.60+
angular distribution for (n,n*10)



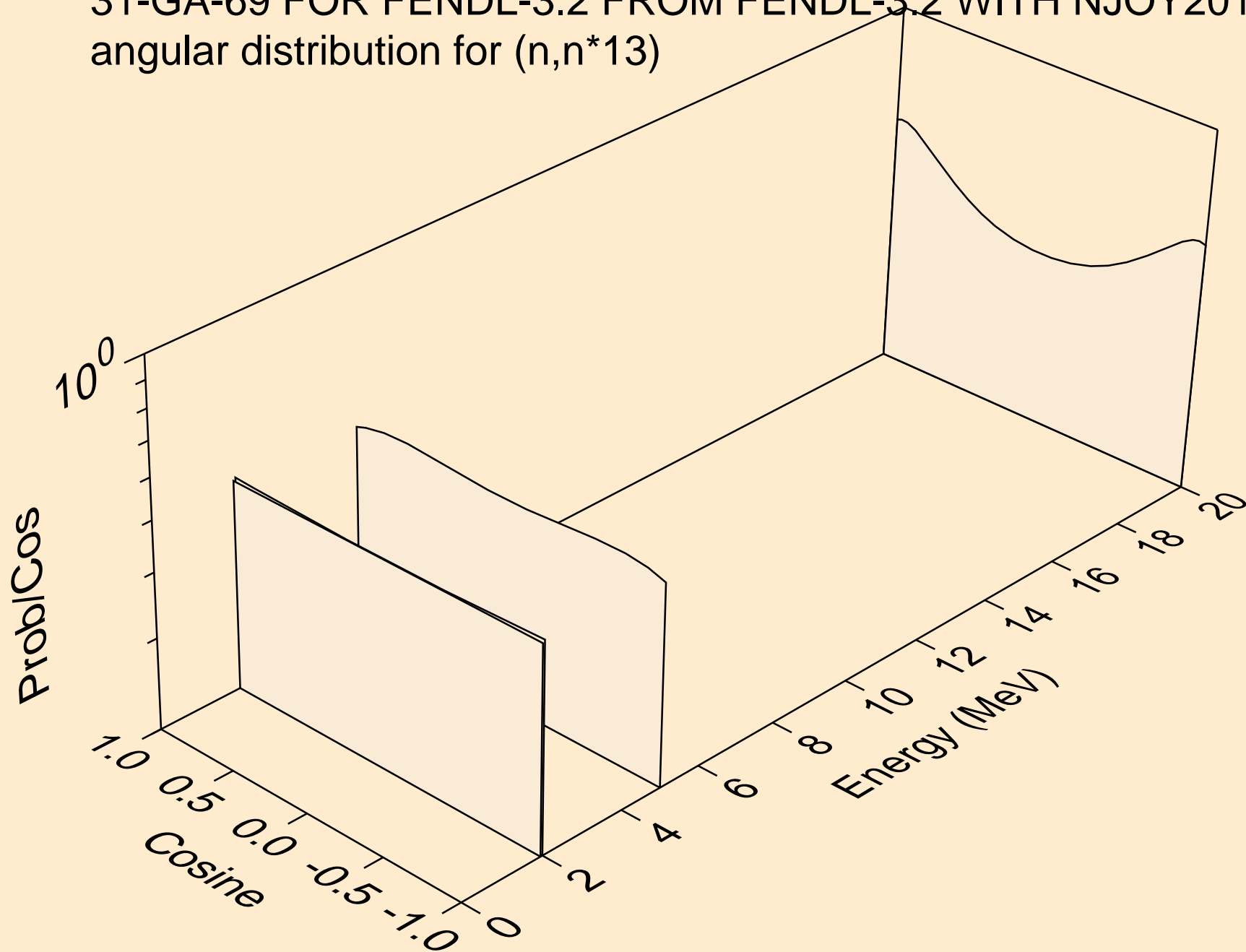
31-GA-69 FOR FENDL-3.2 FROM FENDL-3.2 WITH NJOY2016.60+
angular distribution for (n,n*11)



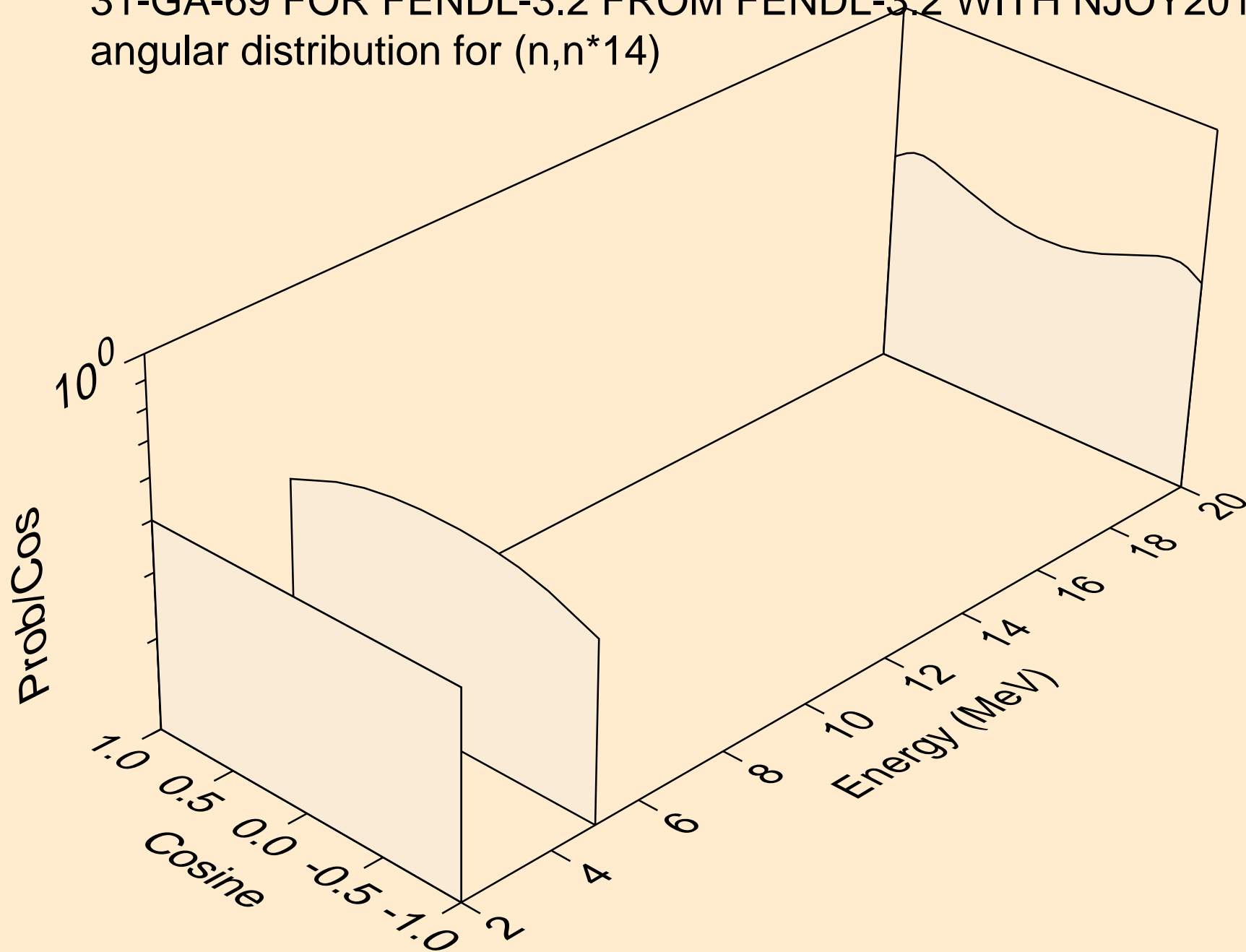
31-GA-69 FOR FENDL-3.2 FROM FENDL-3.2 WITH NJOY2016.60+
angular distribution for (n,n*12)



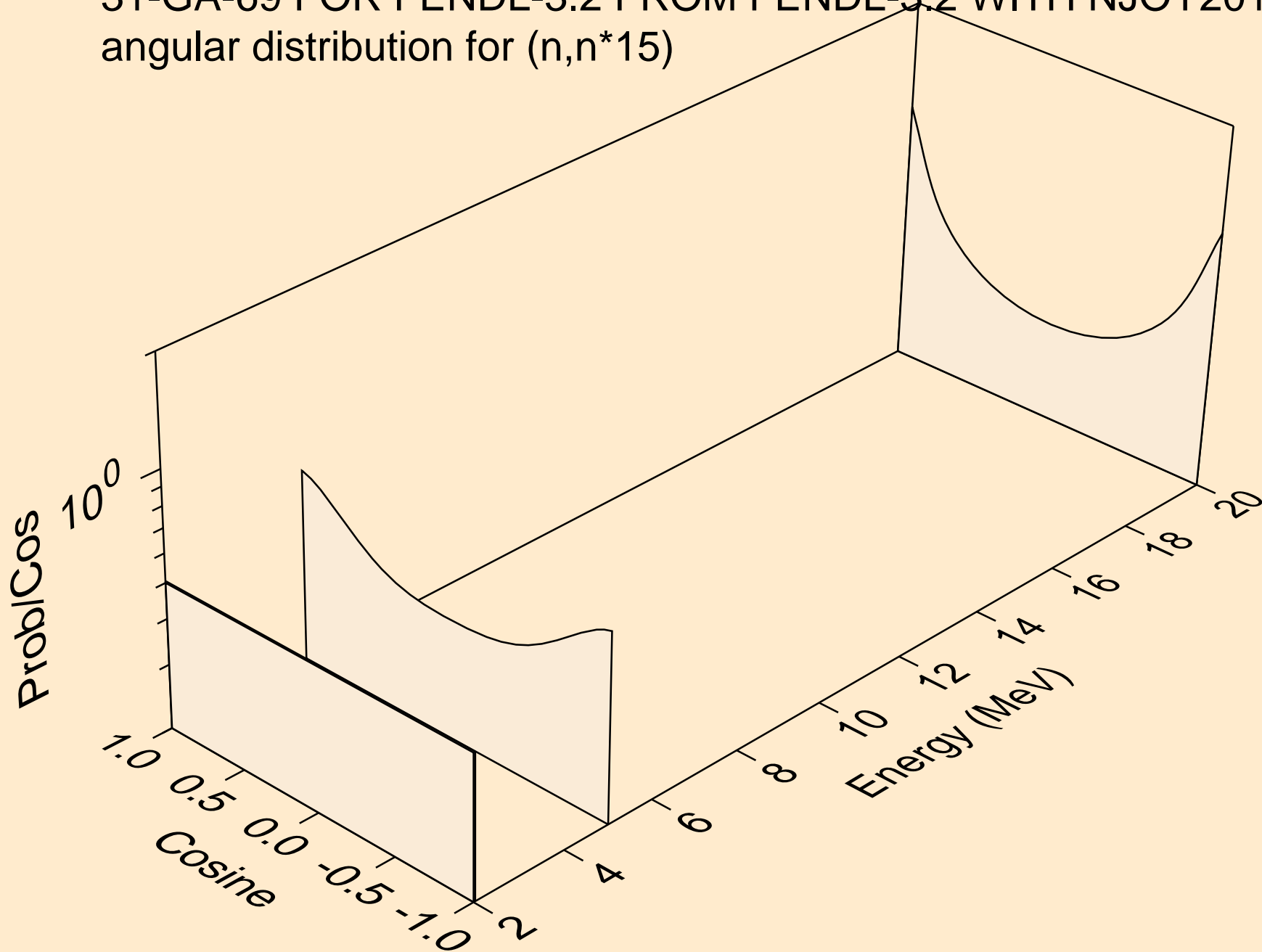
31-GA-69 FOR FENDL-3.2 FROM FENDL-3.2 WITH NJOY2016.60+
angular distribution for (n,n*13)



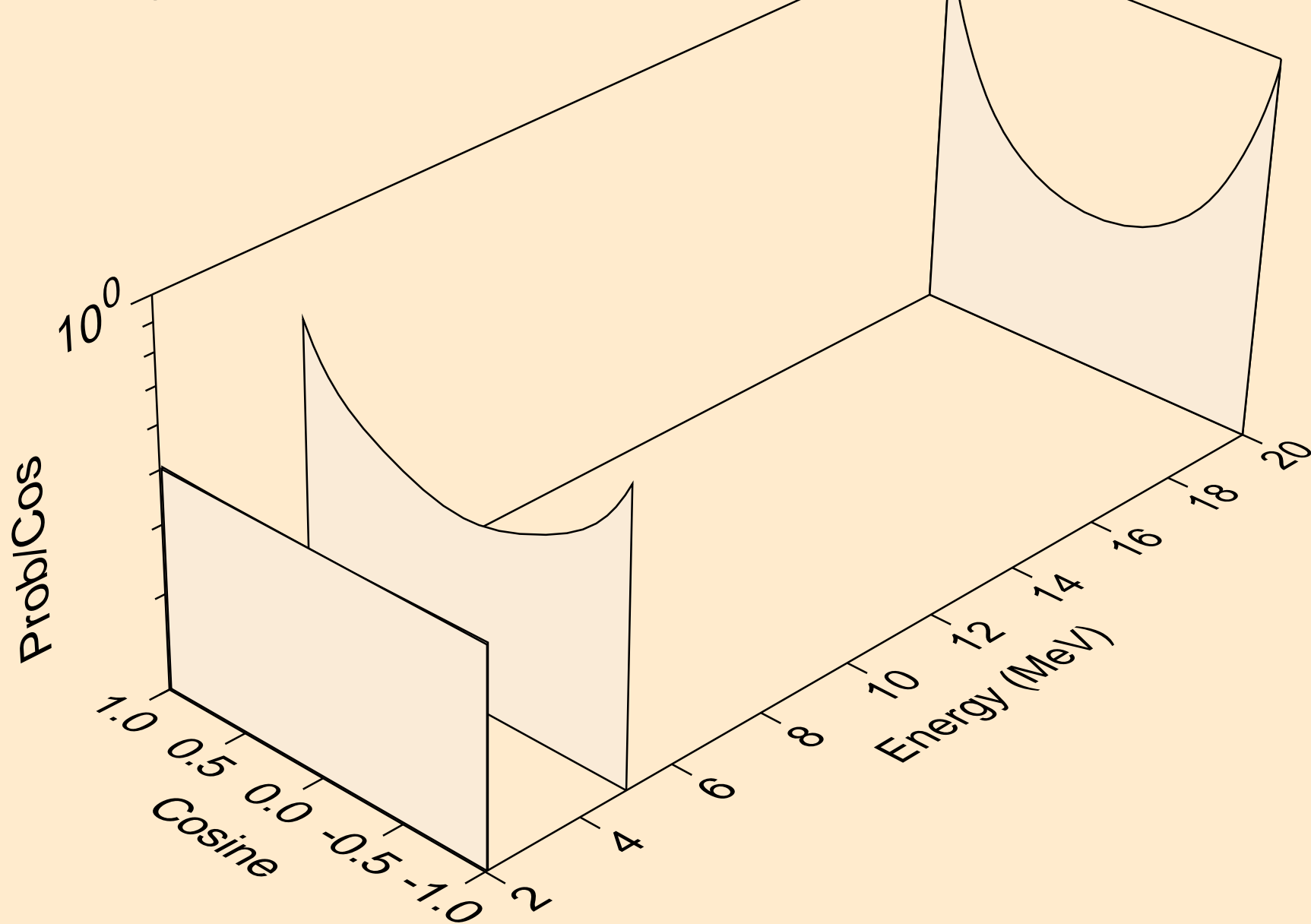
31-GA-69 FOR FENDL-3.2 FROM FENDL-3.2 WITH NJOY2016.60+
angular distribution for (n,n*14)



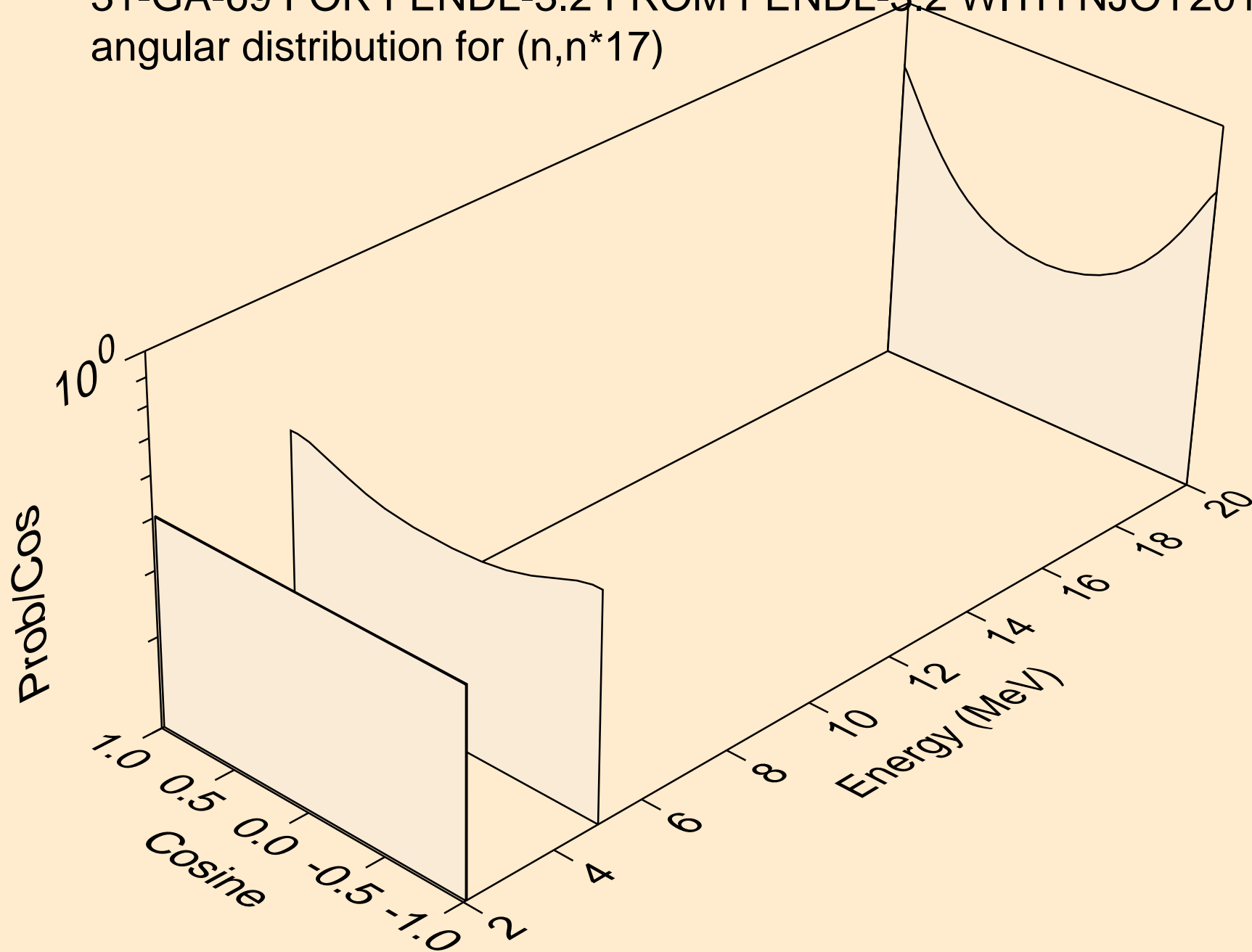
31-GA-69 FOR FENDL-3.2 FROM FENDL-3.2 WITH NJOY2016.60+
angular distribution for (n,n*15)



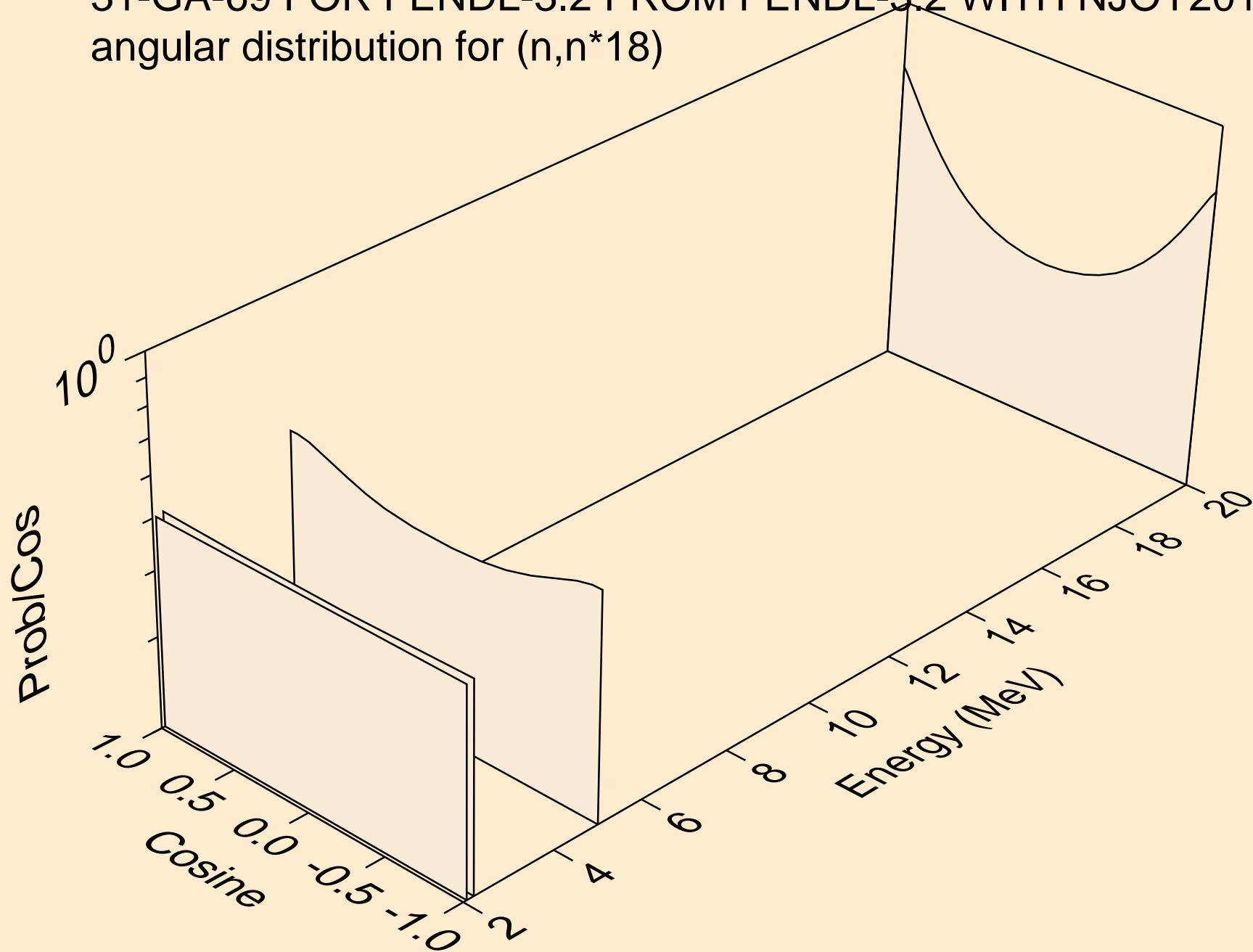
31-GA-69 FOR FENDL-3.2 FROM FENDL-3.2 WITH NJOY2016.60+
angular distribution for (n,n*16)



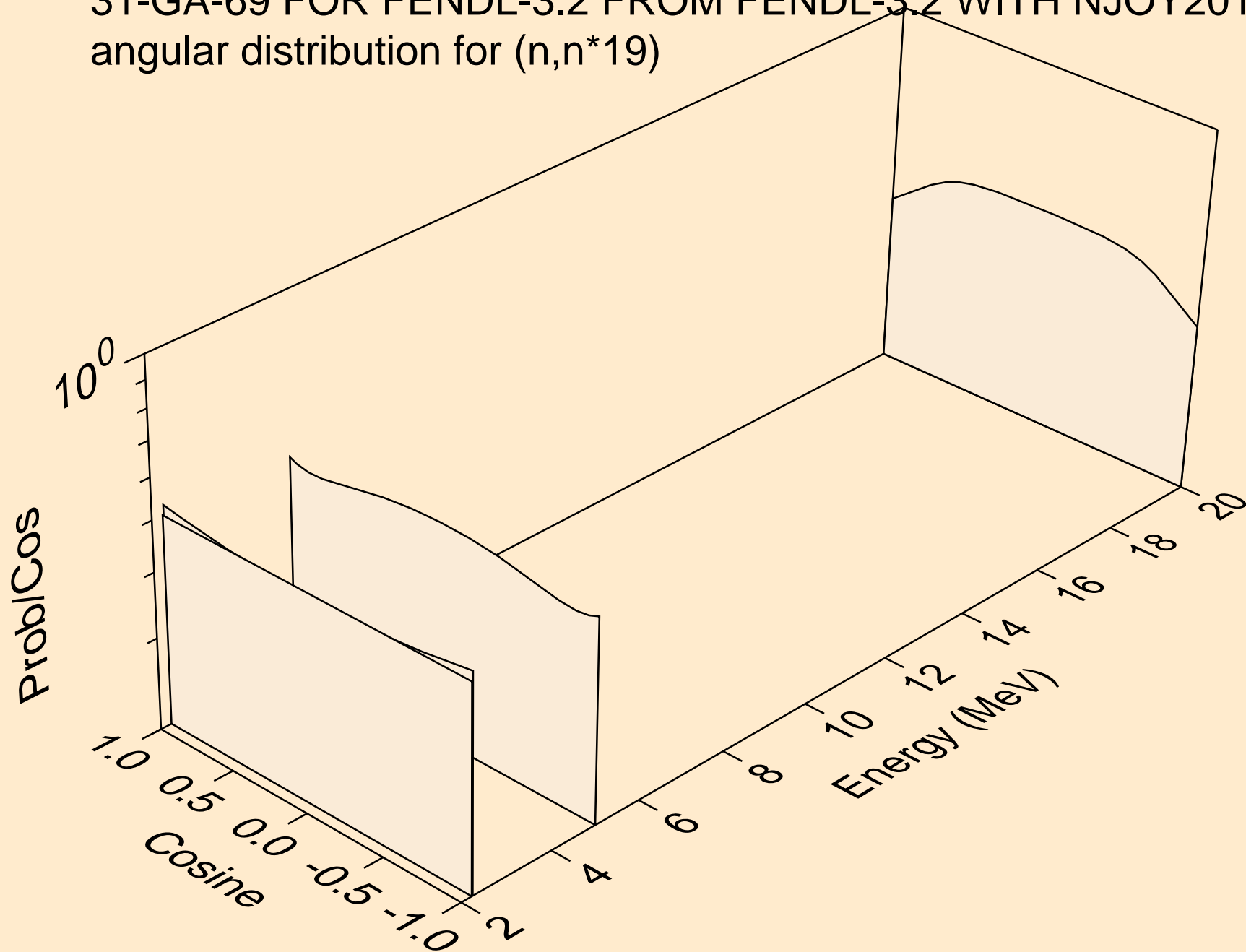
31-GA-69 FOR FENDL-3.2 FROM FENDL-3.2 WITH NJOY2016.60+
angular distribution for (n,n*17)



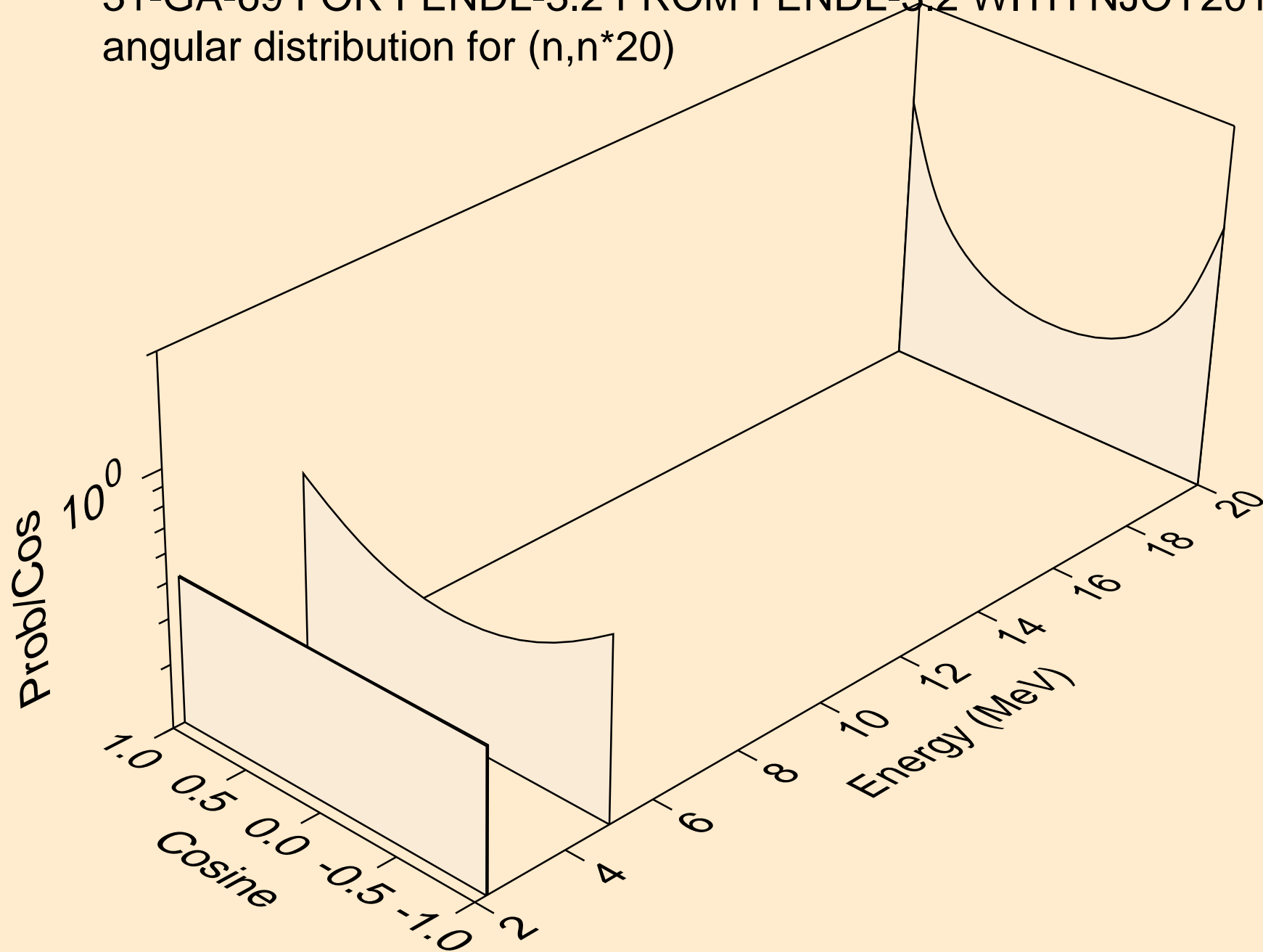
31-GA-69 FOR FENDL-3.2 FROM FENDL-3.2 WITH NJOY2016.60+
angular distribution for (n,n*18)



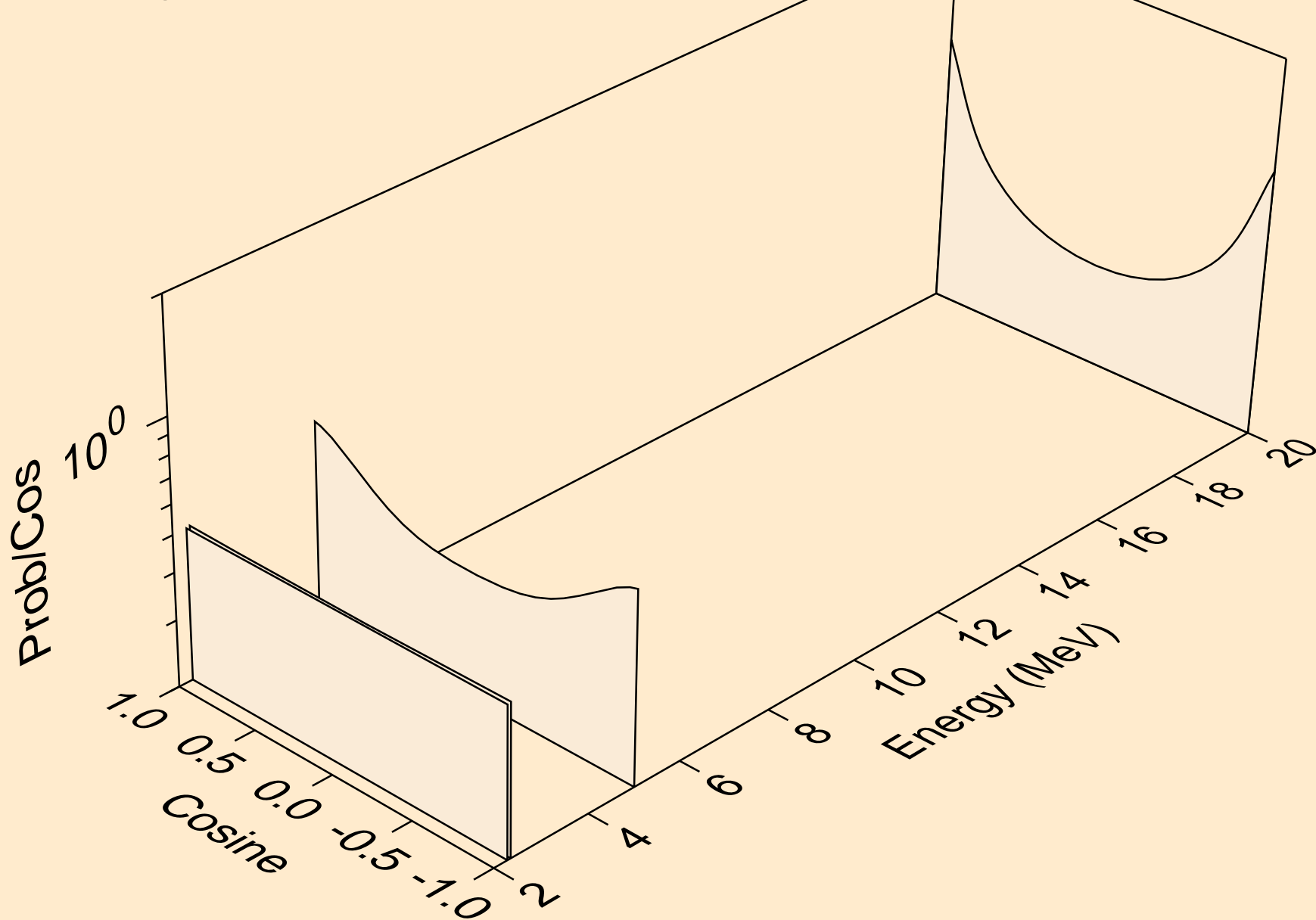
31-GA-69 FOR FENDL-3.2 FROM FENDL-3.2 WITH NJOY2016.60+
angular distribution for (n,n*19)



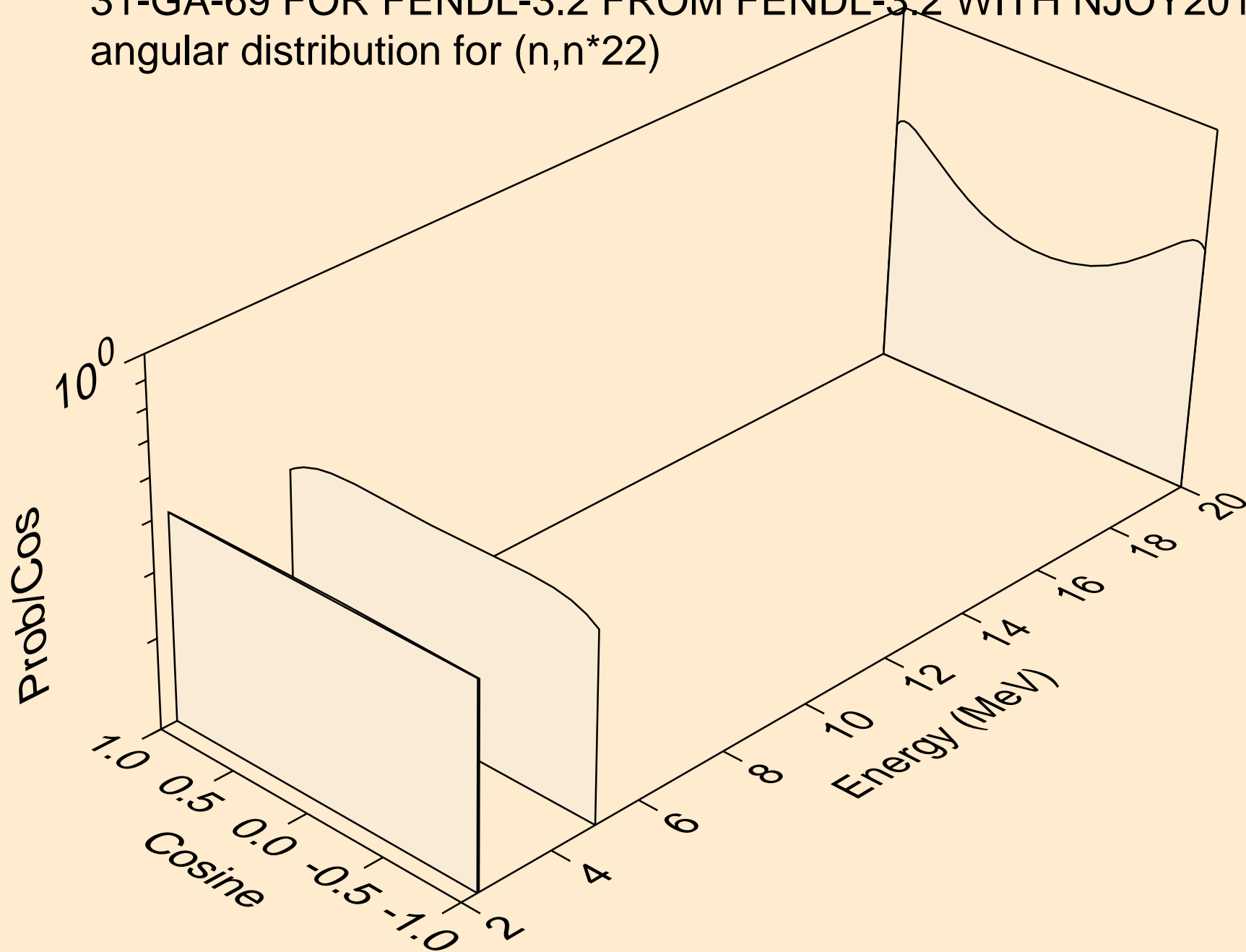
31-GA-69 FOR FENDL-3.2 FROM FENDL-3.2 WITH NJOY2016.60+
angular distribution for (n,n*20)



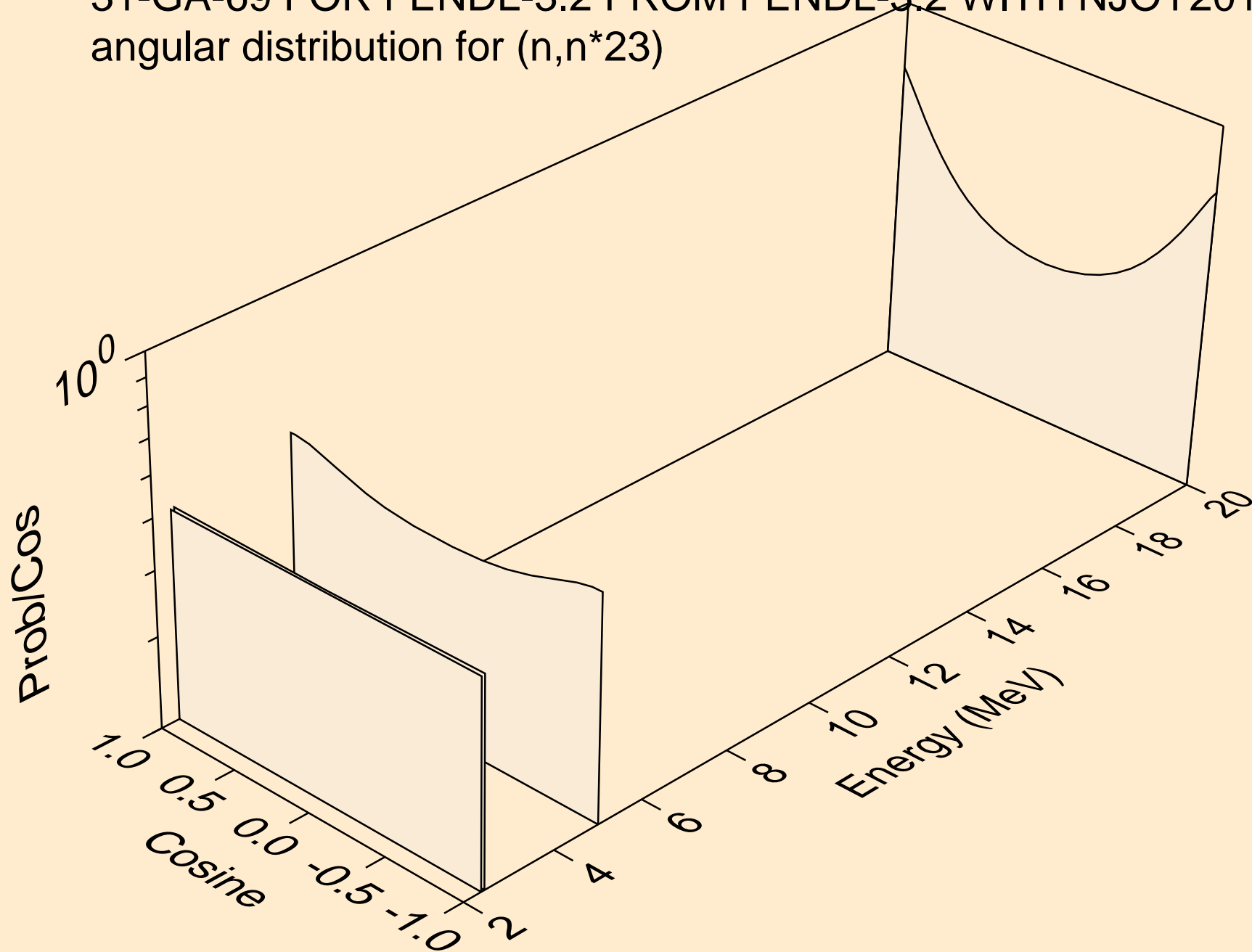
31-GA-69 FOR FENDL-3.2 FROM FENDL-3.2 WITH NJOY2016.60+
angular distribution for (n,n*21)



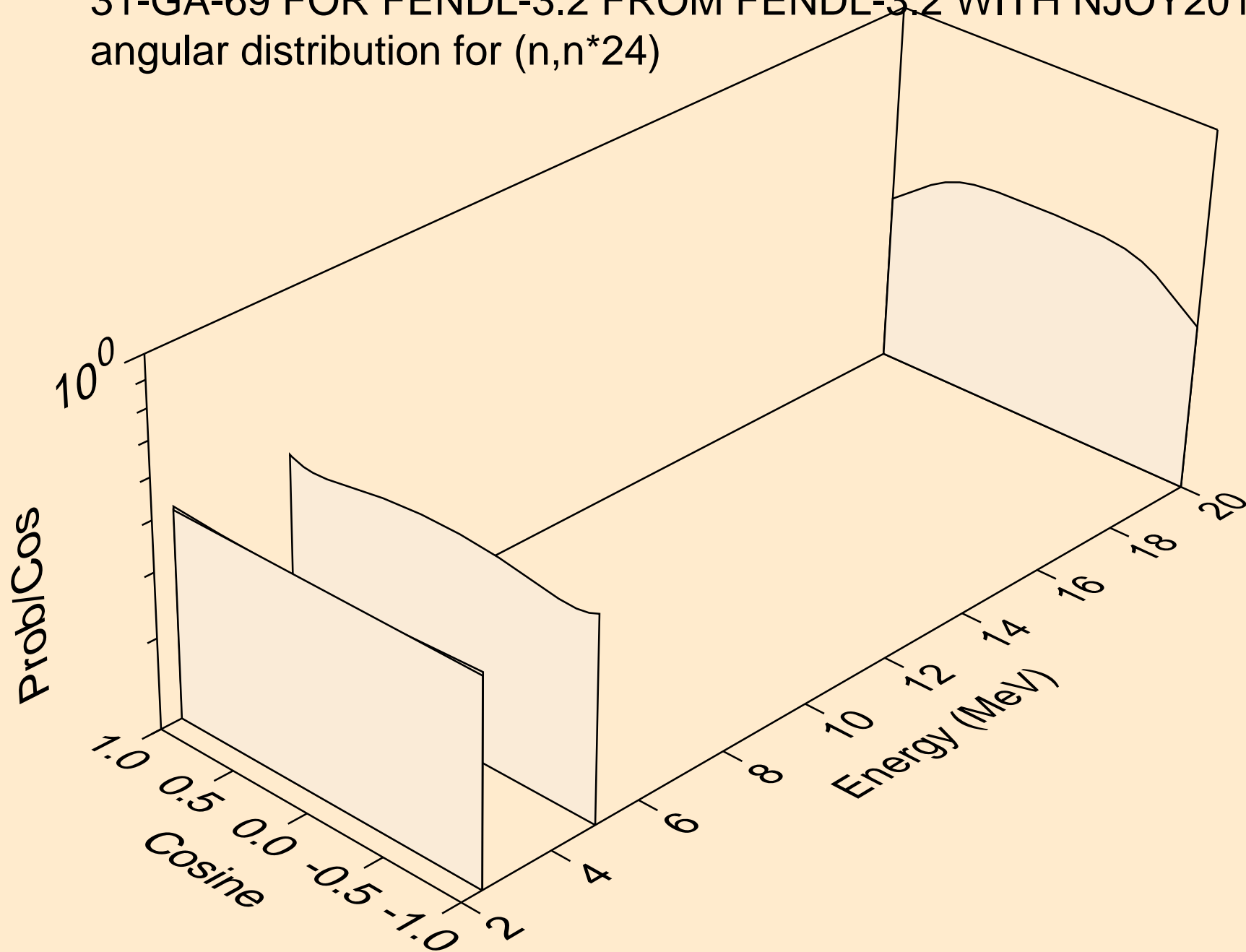
31-GA-69 FOR FENDL-3.2 FROM FENDL-3.2 WITH NJOY2016.60+
angular distribution for (n,n*22)



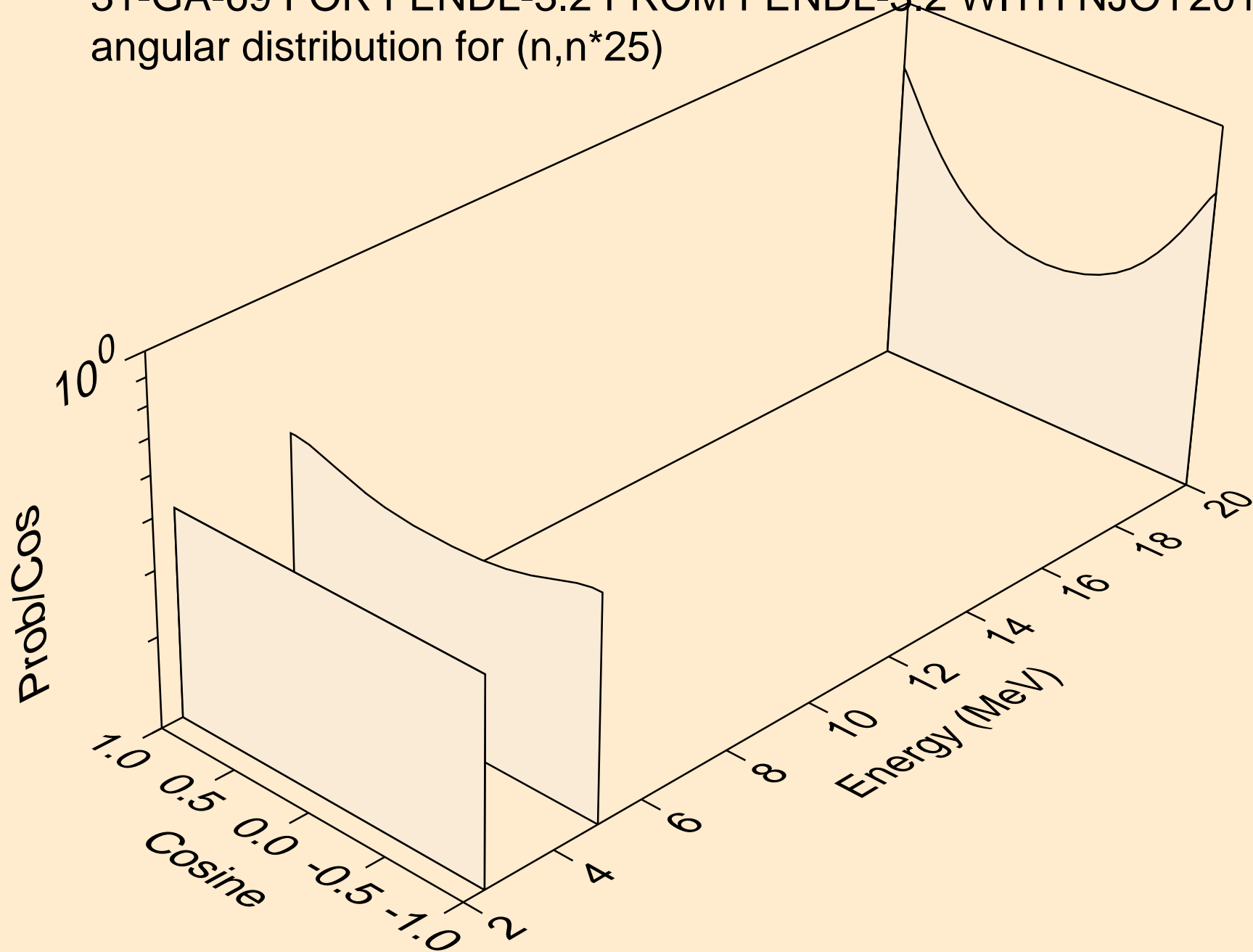
31-GA-69 FOR FENDL-3.2 FROM FENDL-3.2 WITH NJOY2016.60+
angular distribution for (n,n*23)



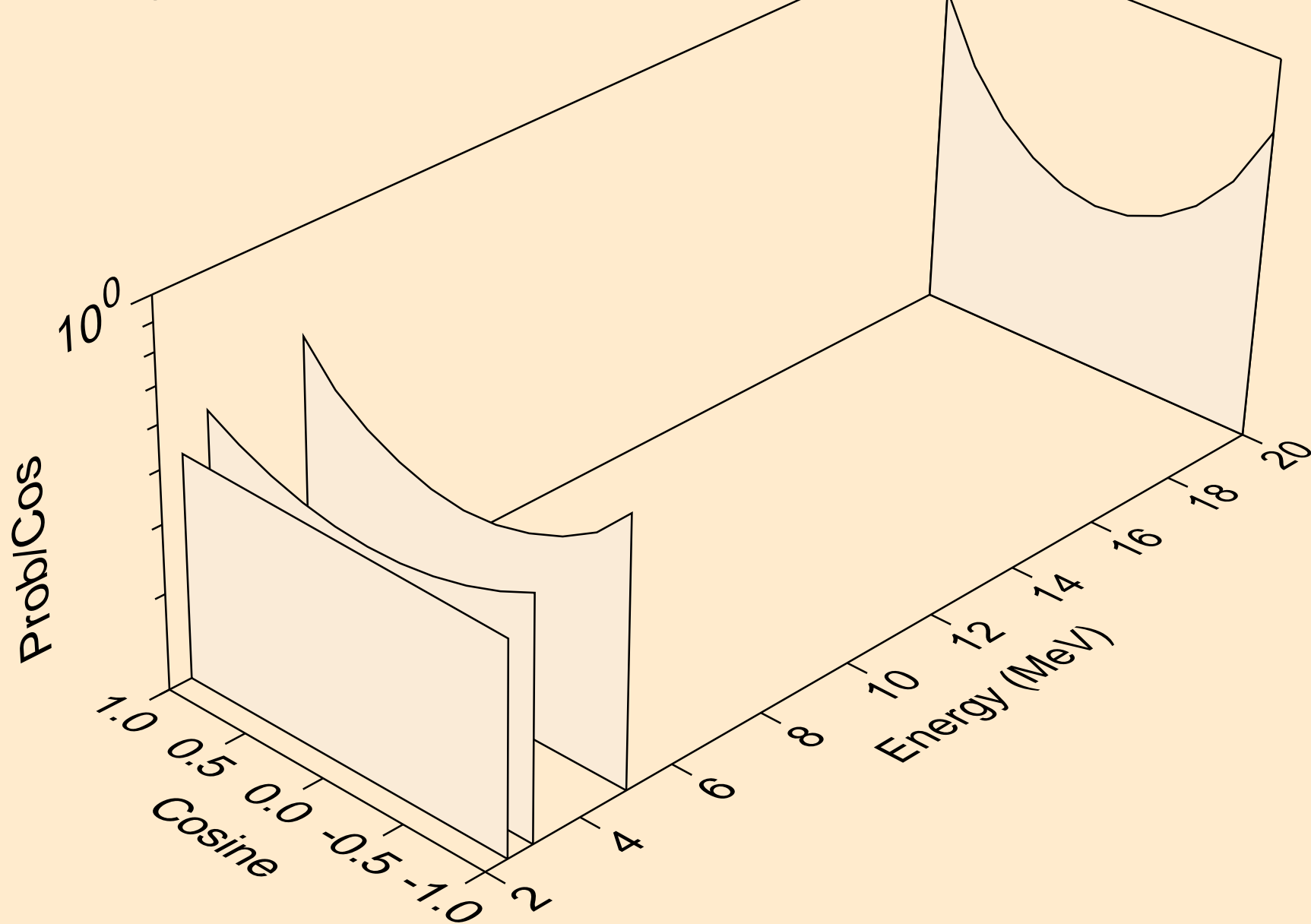
31-GA-69 FOR FENDL-3.2 FROM FENDL-3.2 WITH NJOY2016.60+
angular distribution for (n,n*24)



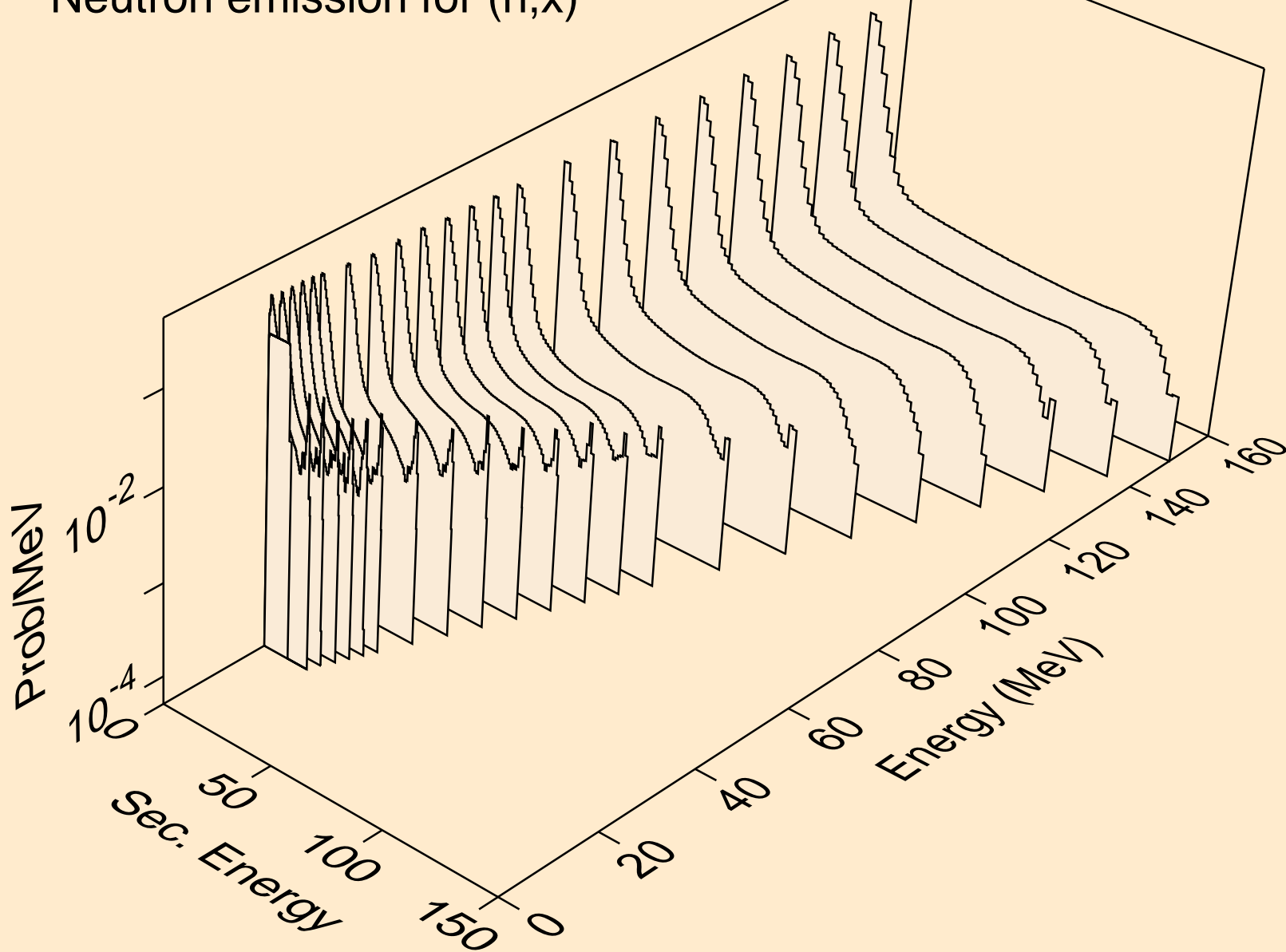
31-GA-69 FOR FENDL-3.2 FROM FENDL-3.2 WITH NJOY2016.60+
angular distribution for (n,n*25)



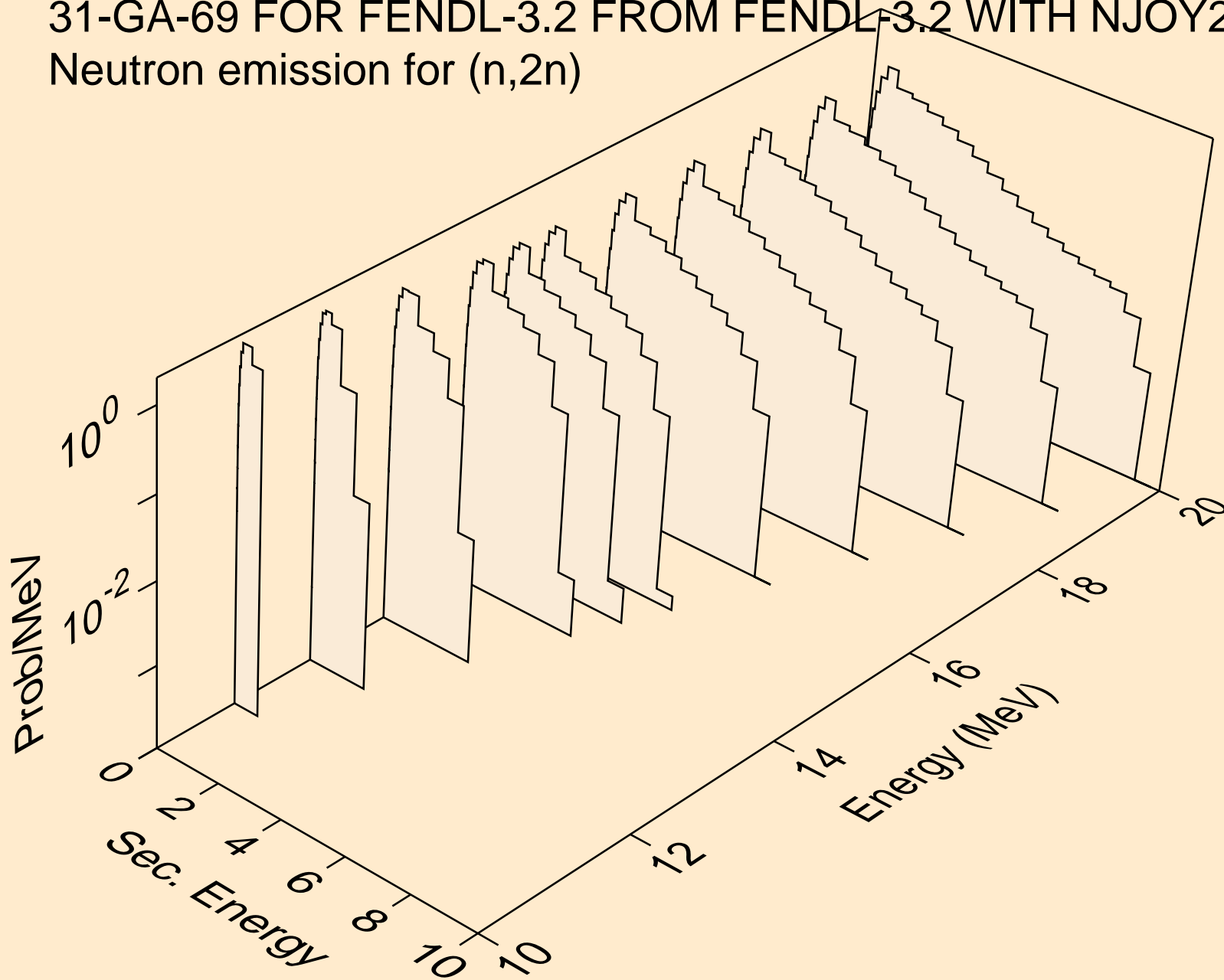
31-GA-69 FOR FENDL-3.2 FROM FENDL-3.2 WITH NJOY2016.60+
angular distribution for (n,n*c)



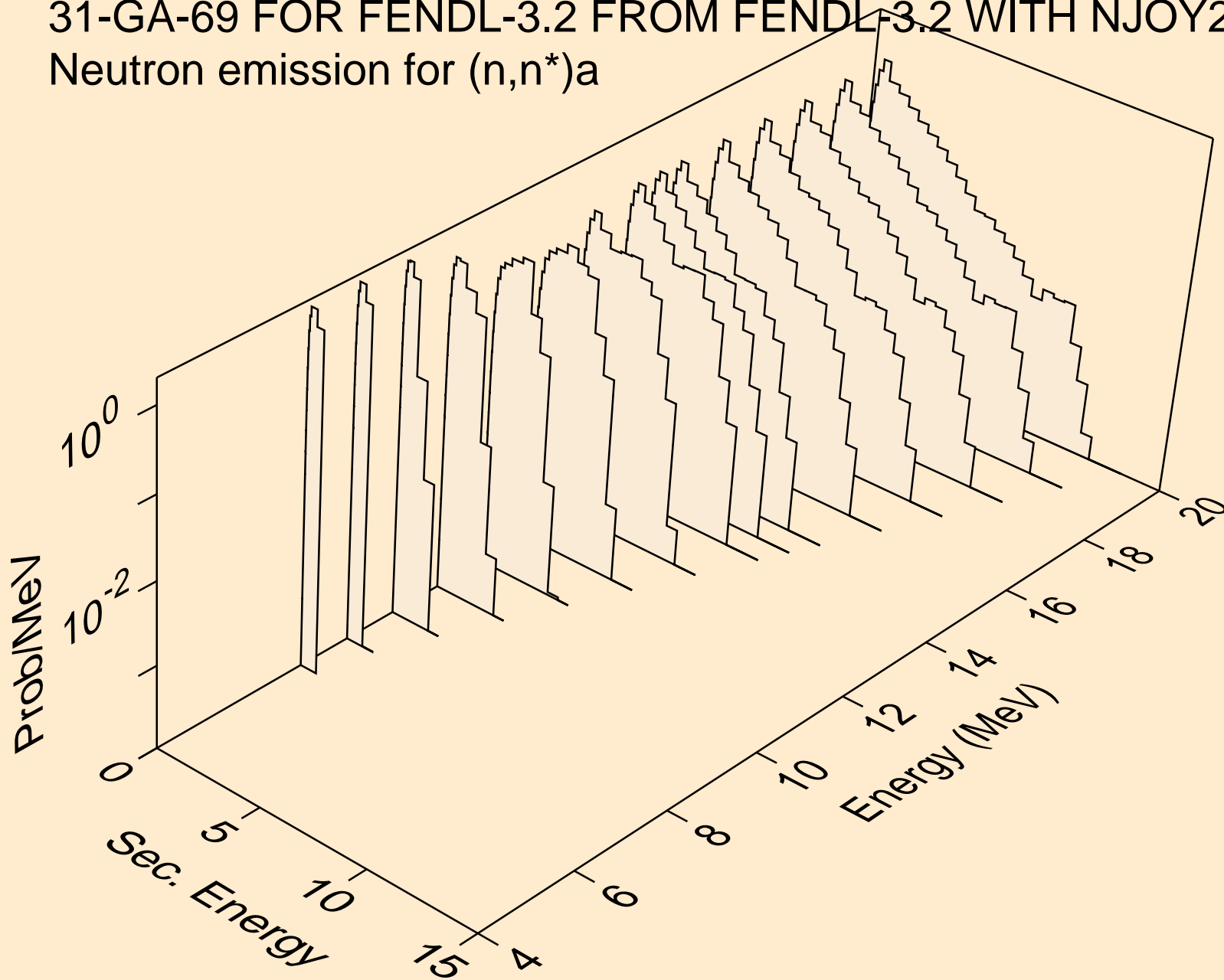
31-GA-69 FOR FENDL-3.2 FROM FENDL-3.2 WITH NJOY2016.60+
Neutron emission for (n,x)



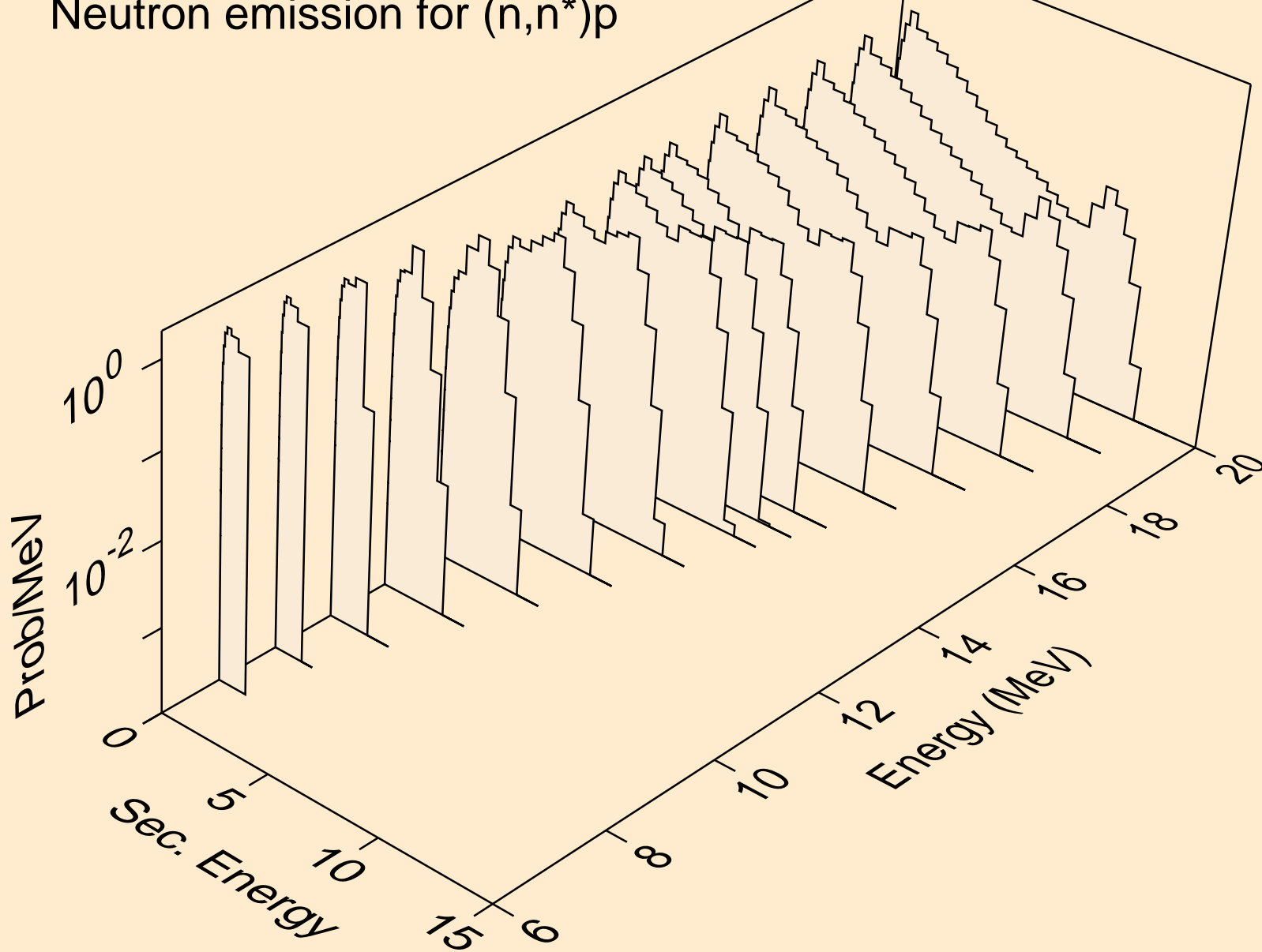
31-GA-69 FOR FENDL-3.2 FROM FENDL-3.2 WITH NJOY2016.60+
Neutron emission for (n,2n)



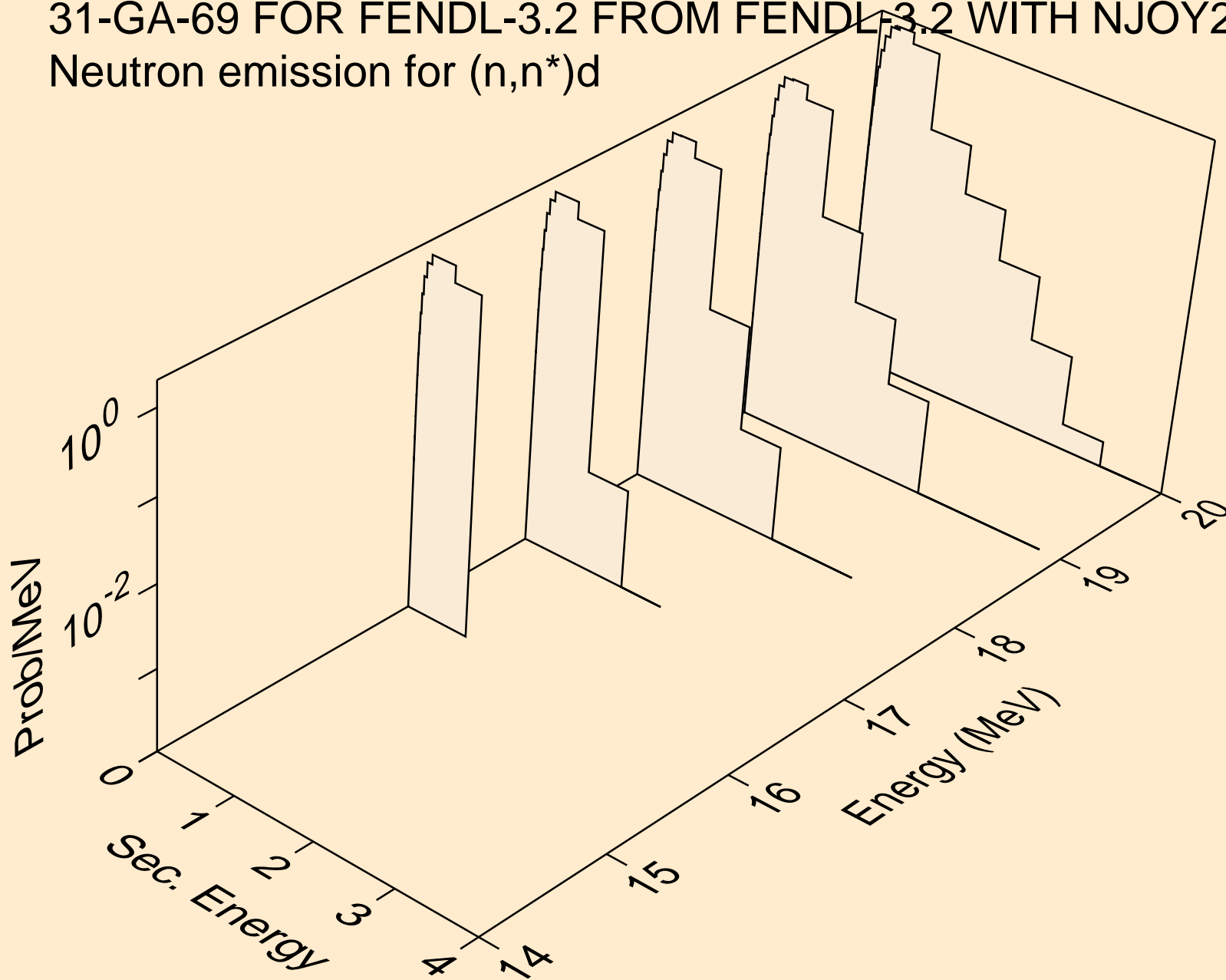
31-GA-69 FOR FENDL-3.2 FROM FENDL-3.2 WITH NJOY2016.60+
Neutron emission for (n,n*)a



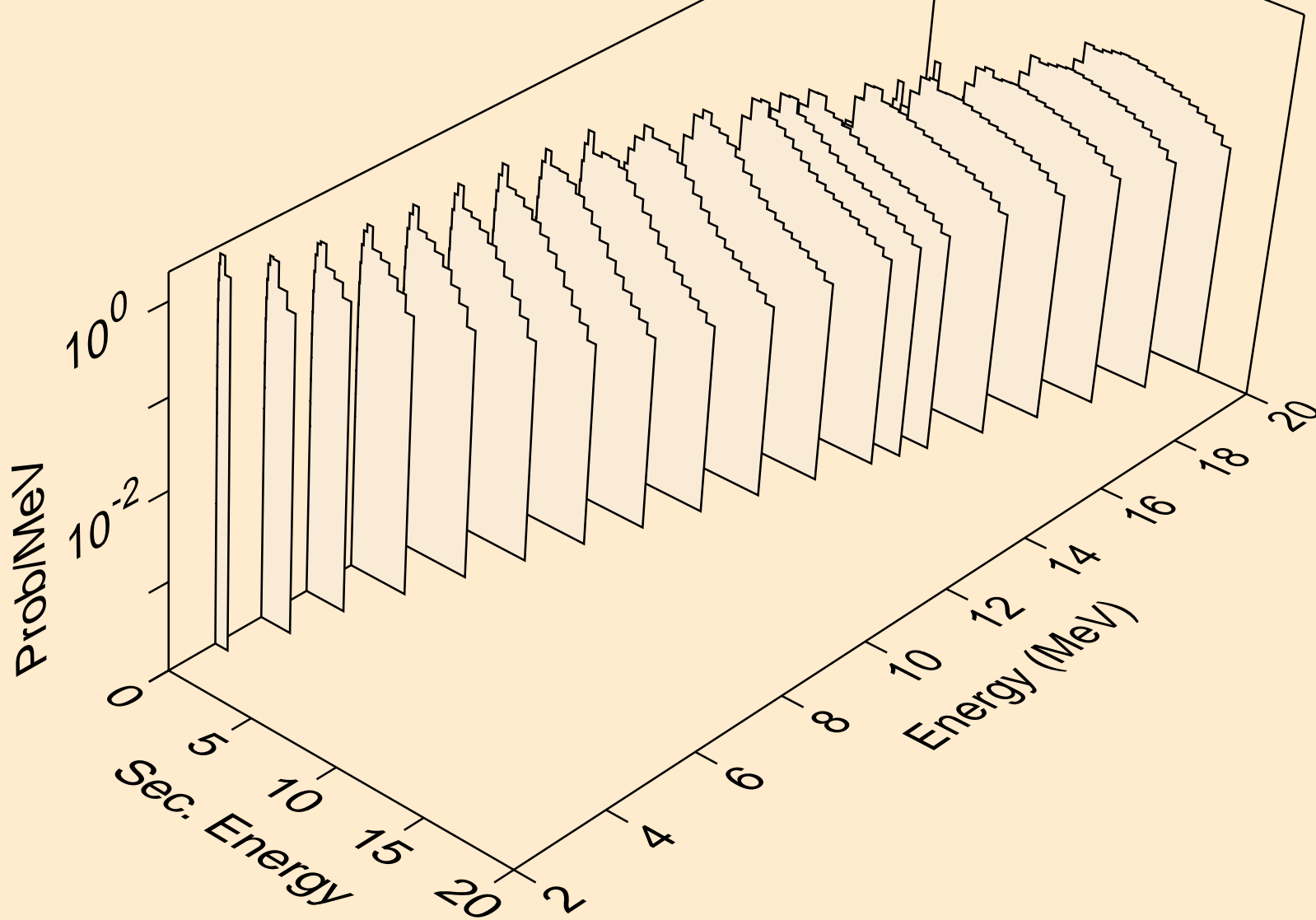
31-GA-69 FOR FENDL-3.2 FROM FENDL-3.2 WITH NJOY2016.60+
Neutron emission for (n,n*)p



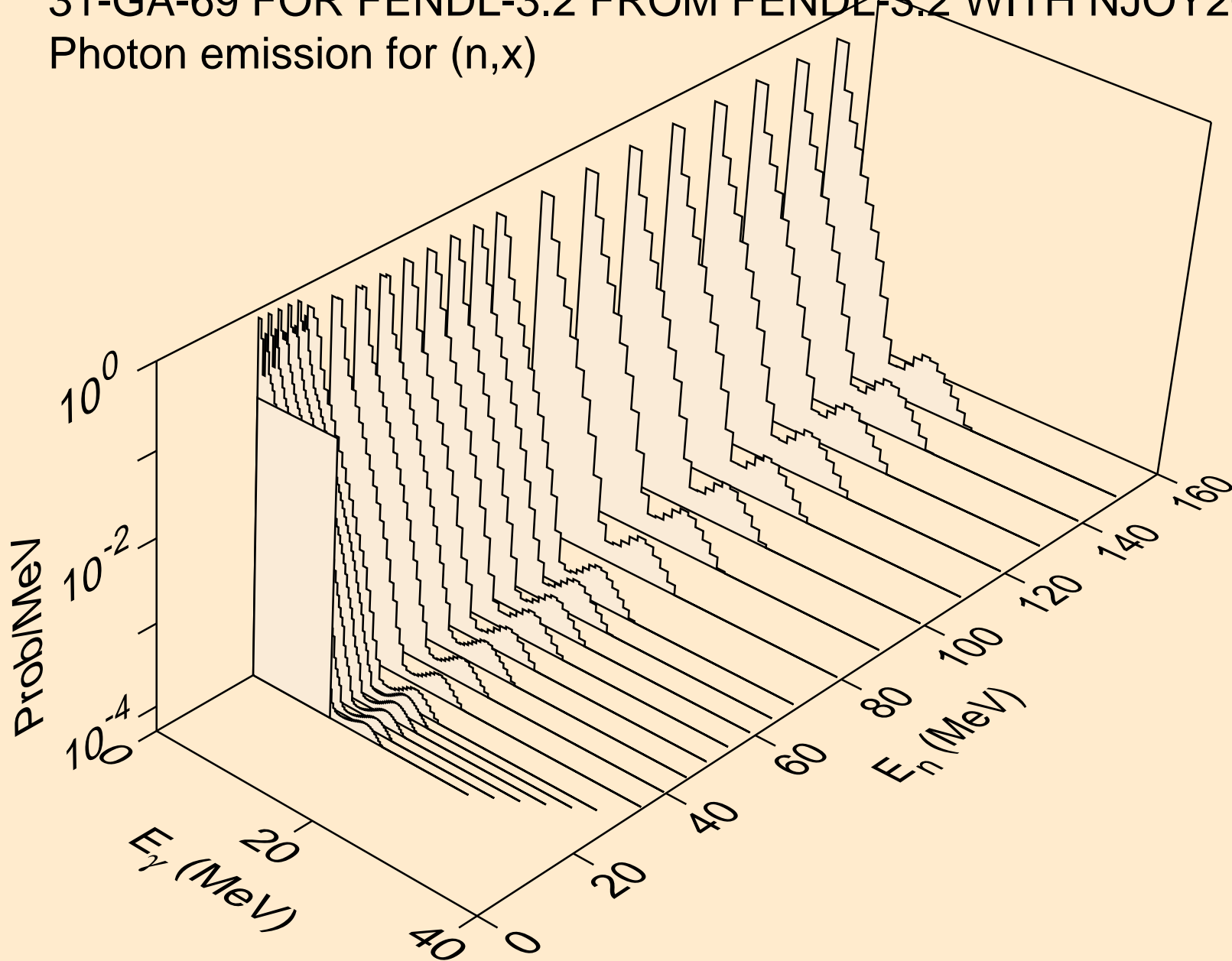
31-GA-69 FOR FENDL-3.2 FROM FENDL-3.2 WITH NJOY2016.60+
Neutron emission for (n,n*)d



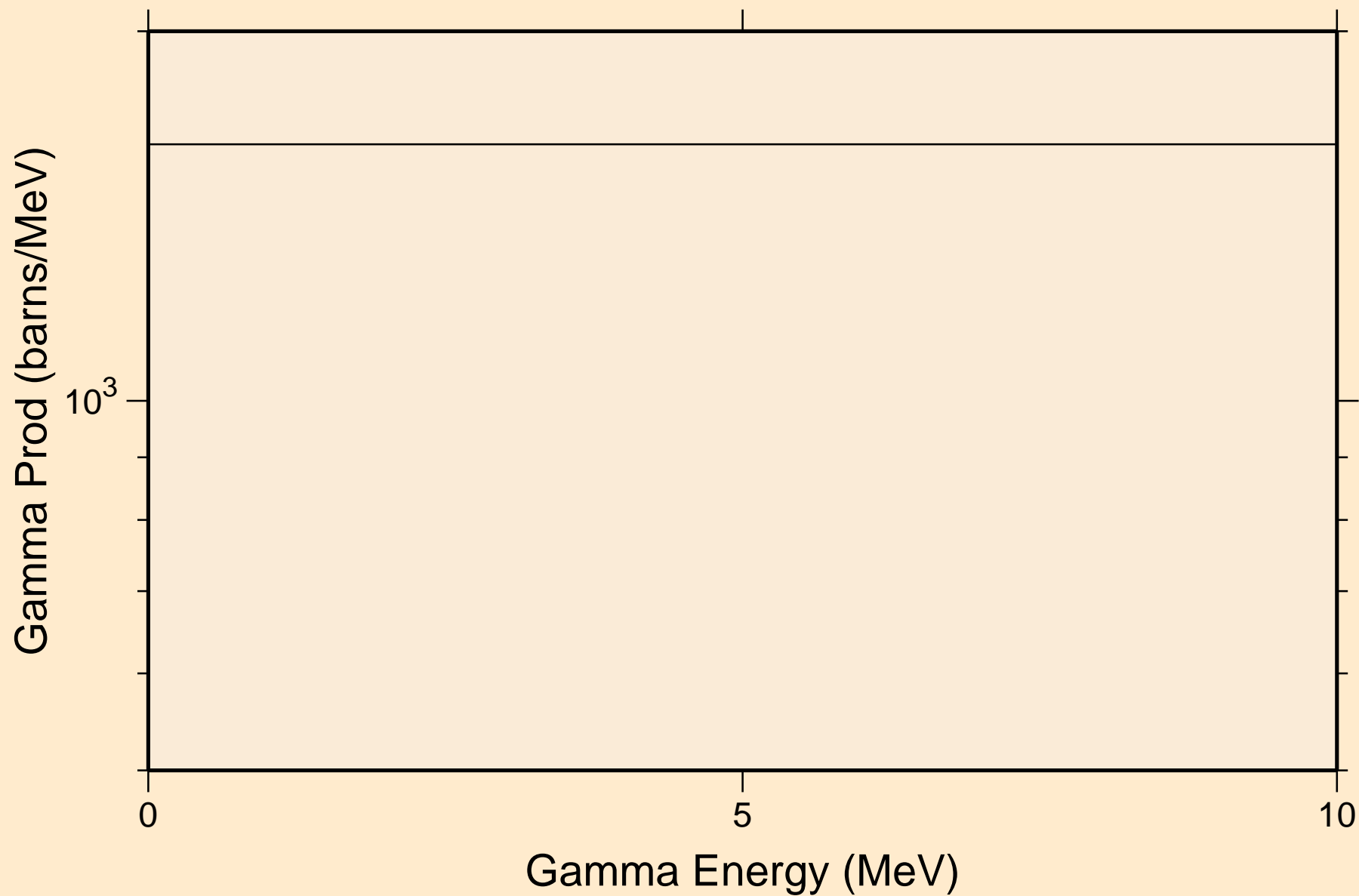
31-GA-69 FOR FENDL-3.2 FROM FENDL-3.2 WITH NJOY2016.60+
Neutron emission for (n,n*c)



31-GA-69 FOR FENDL-3.2 FROM FENDL-3.2 WITH NJOY2016.60+
Photon emission for (n,x)

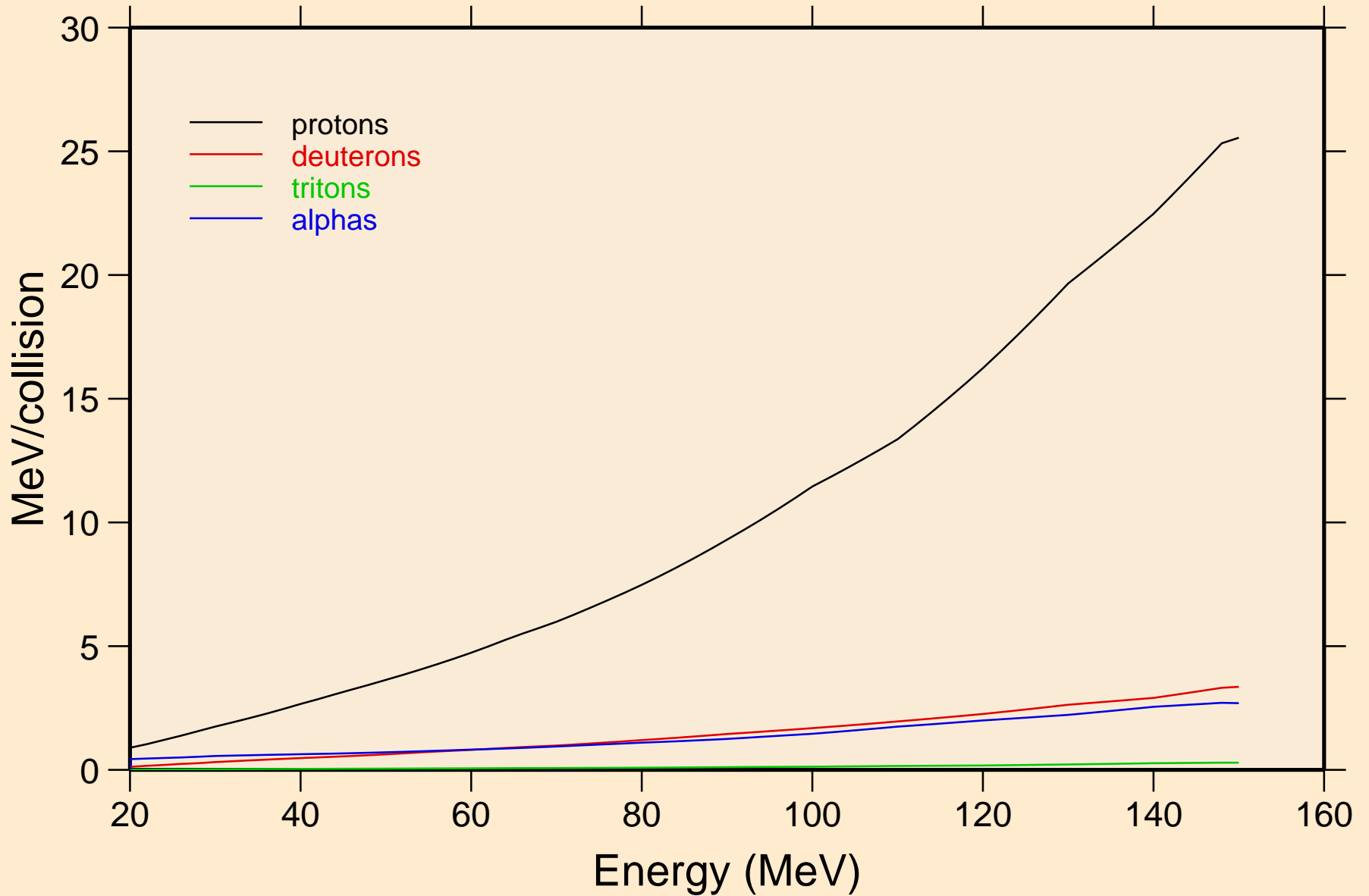


31-GA-69 FOR FENDL-3.2 FROM FENDL-3.2 WITH NJOY2016.60+
14 MeV photon spectrum



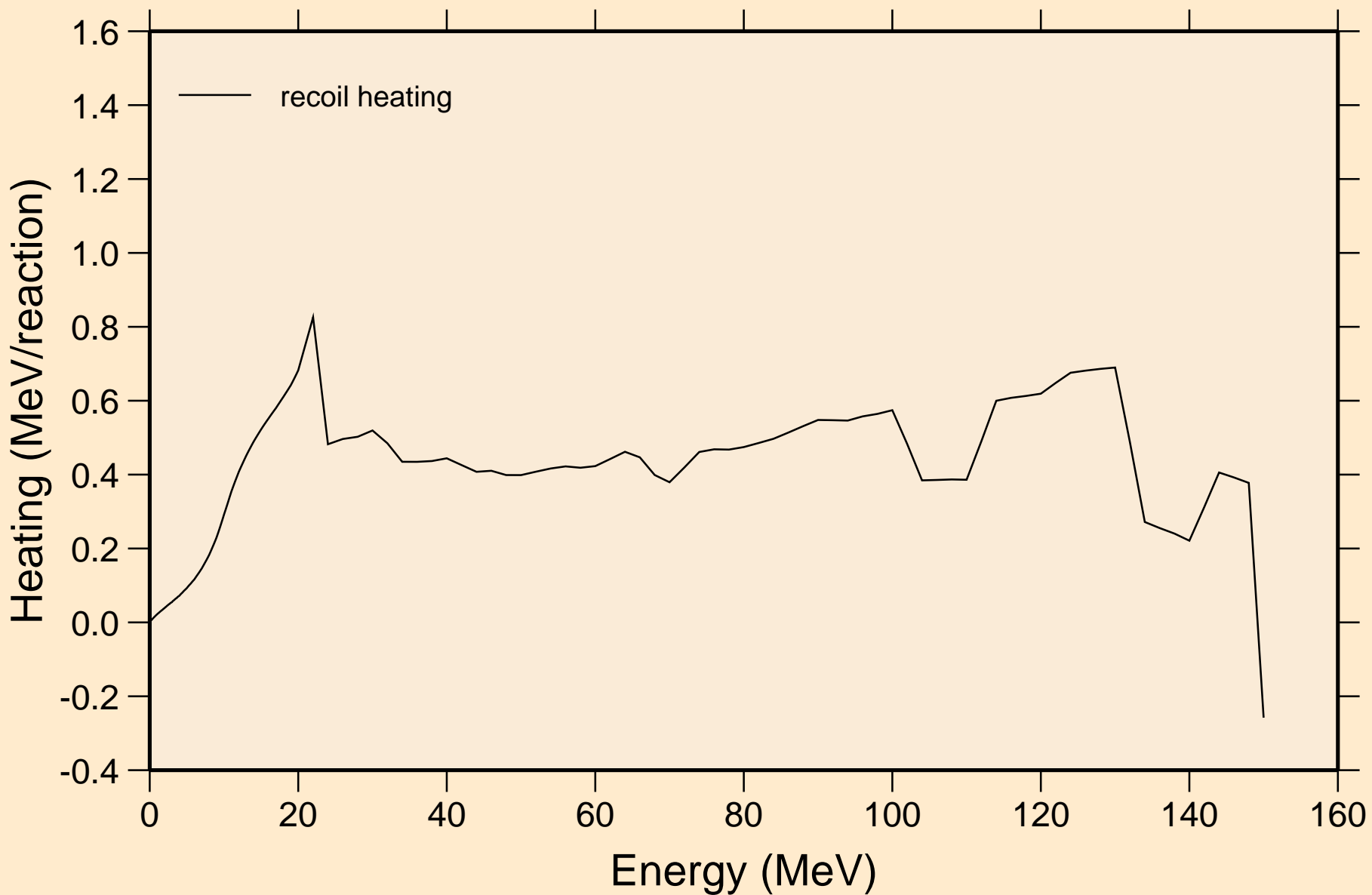
31-GA-69 FOR FENDL-3.2 FROM FENDL-3.2 WITH NJOY2016.60+

Particle heating contributions



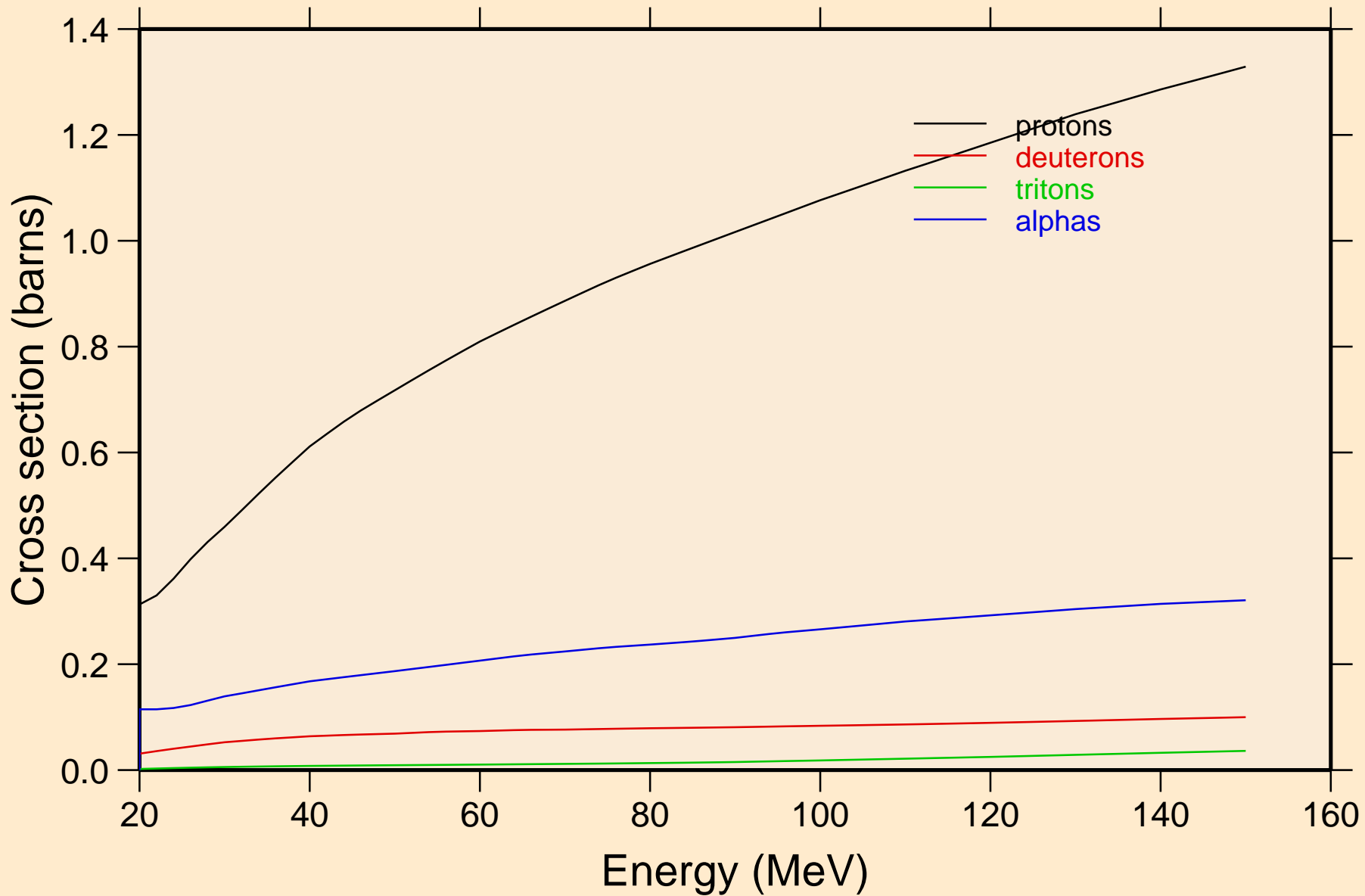
31-GA-69 FOR FENDL-3.2 FROM FENDL-3.2 WITH NJOY2016.60+

Recoil Heating

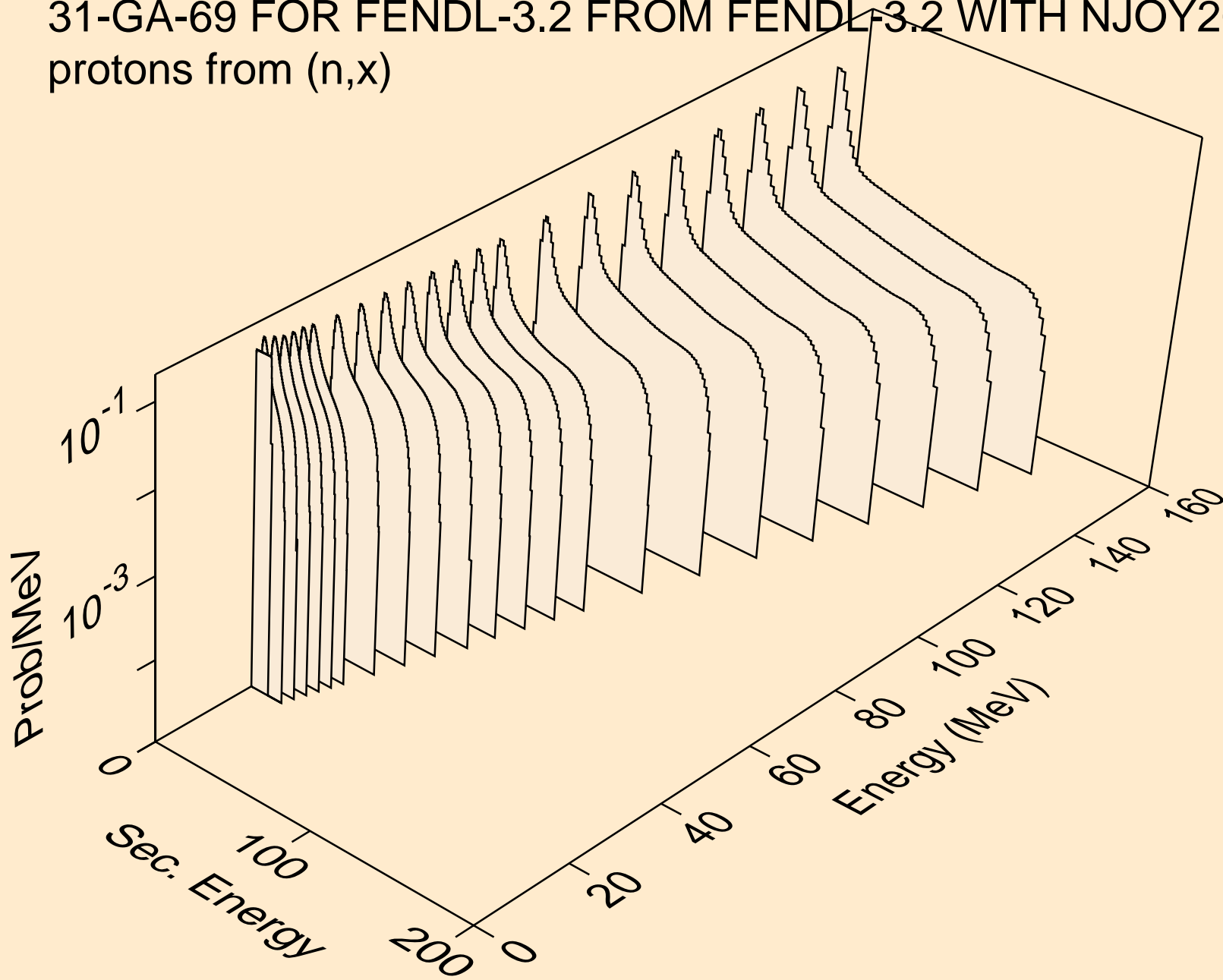


31-GA-69 FOR FENDL-3.2 FROM FENDL-3.2 WITH NJOY2016.60+

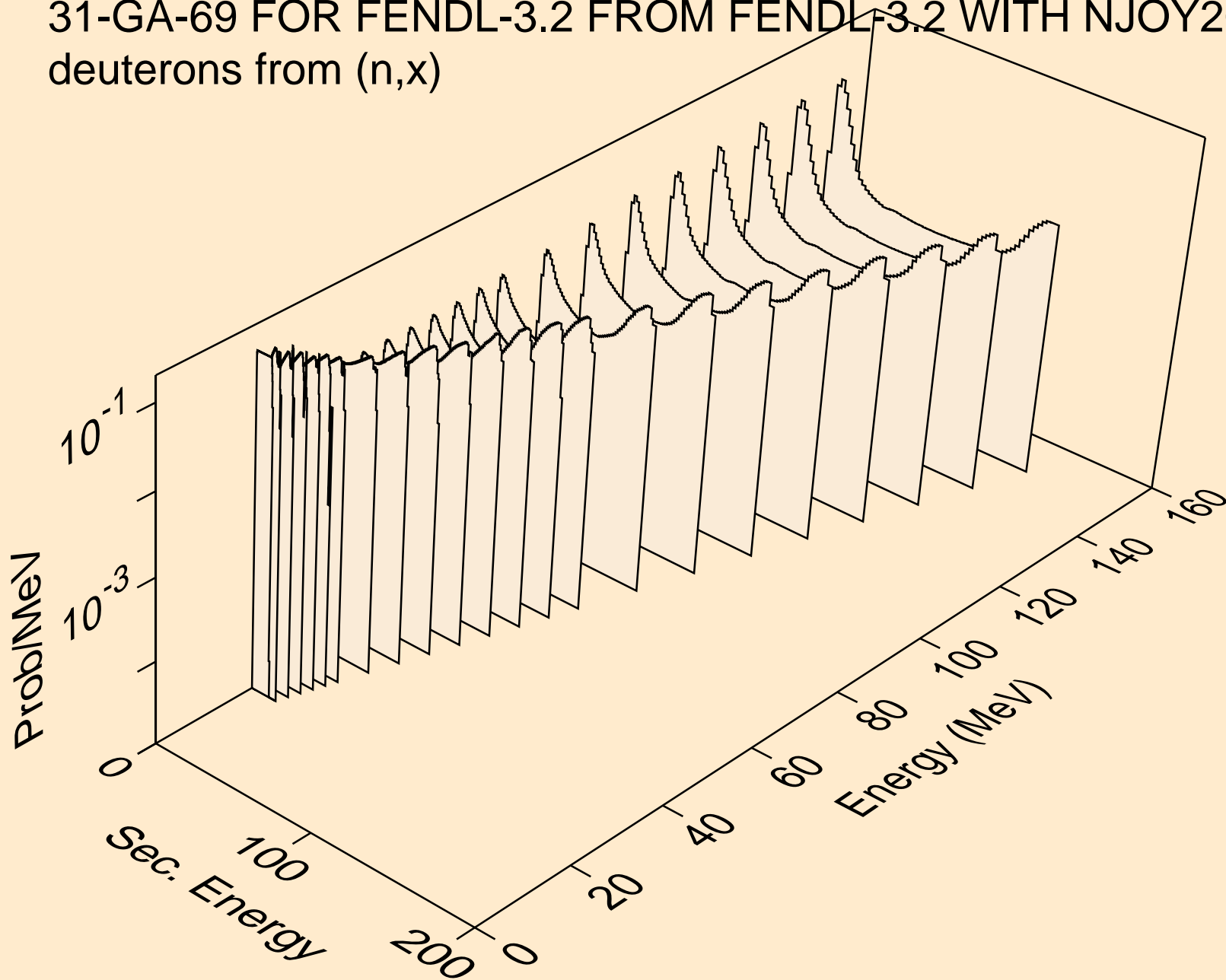
Particle production cross sections



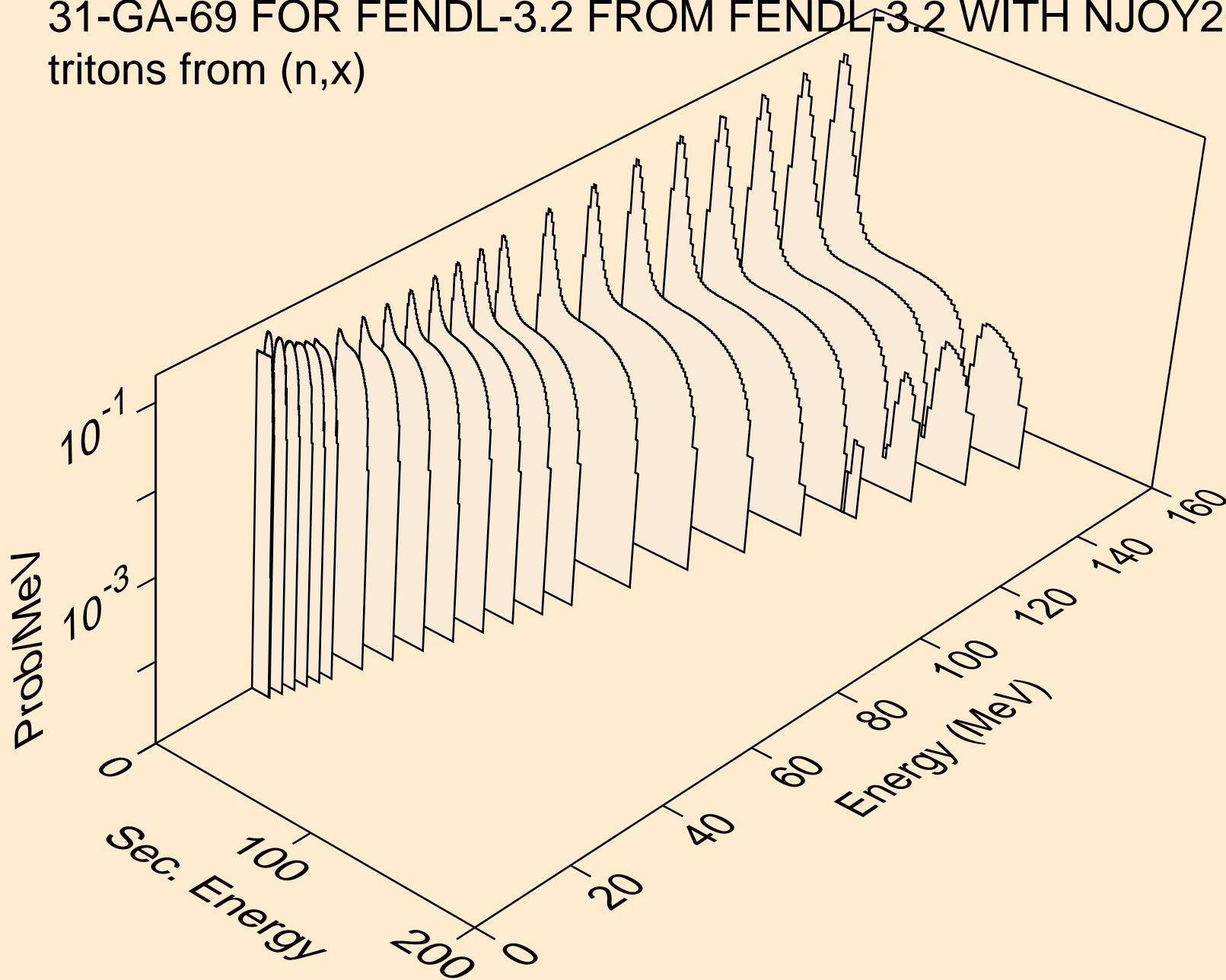
31-GA-69 FOR FENDL-3.2 FROM FENDL-3.2 WITH NJOY2016.60+
protons from (n,x)



31-GA-69 FOR FENDL-3.2 FROM FENDL-3.2 WITH NJOY2016.60+
deuterons from (n,x)



31-GA-69 FOR FENDL-3.2 FROM FENDL-3.2 WITH NJOY2016.60+
tritons from (n,x)



31-GA-69 FOR FENDL-3.2 FROM FENDL-3.2 WITH NJOY2016.60+
alphas from (n,x)

