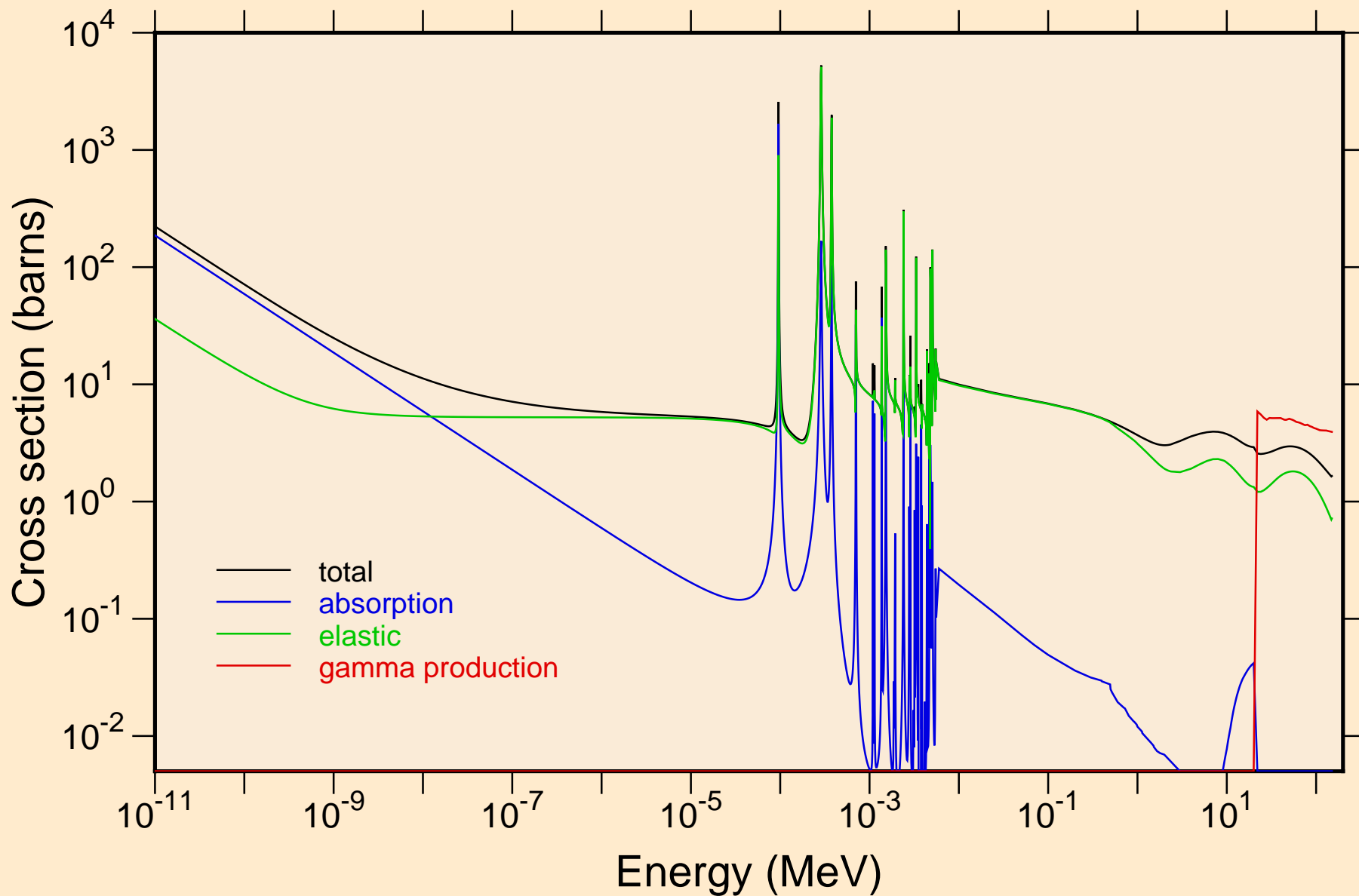
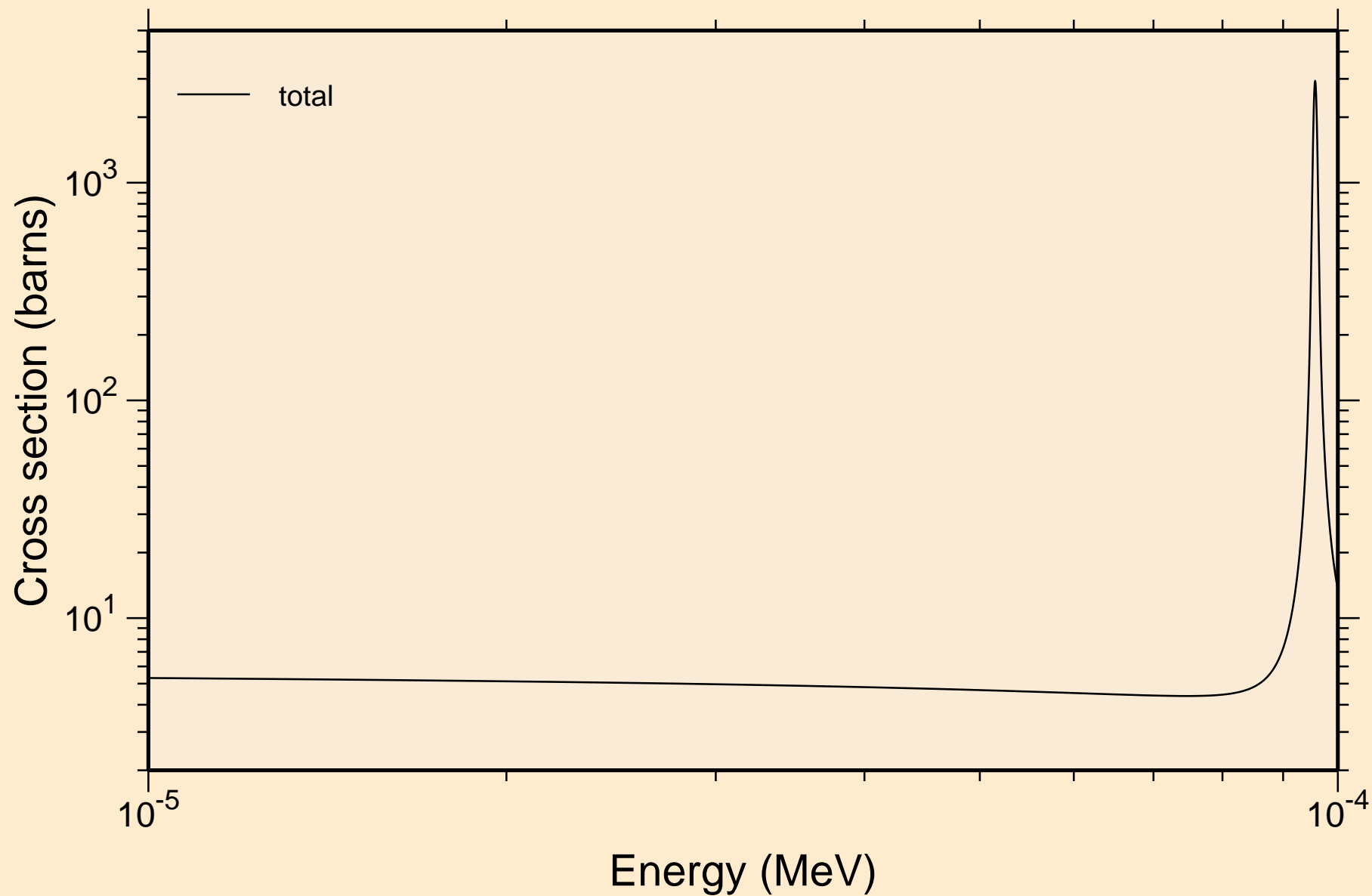


# 31-GA-71 FOR FENDL-3.1 FROM FENDL-3.1 WITH NJOY2012.50+

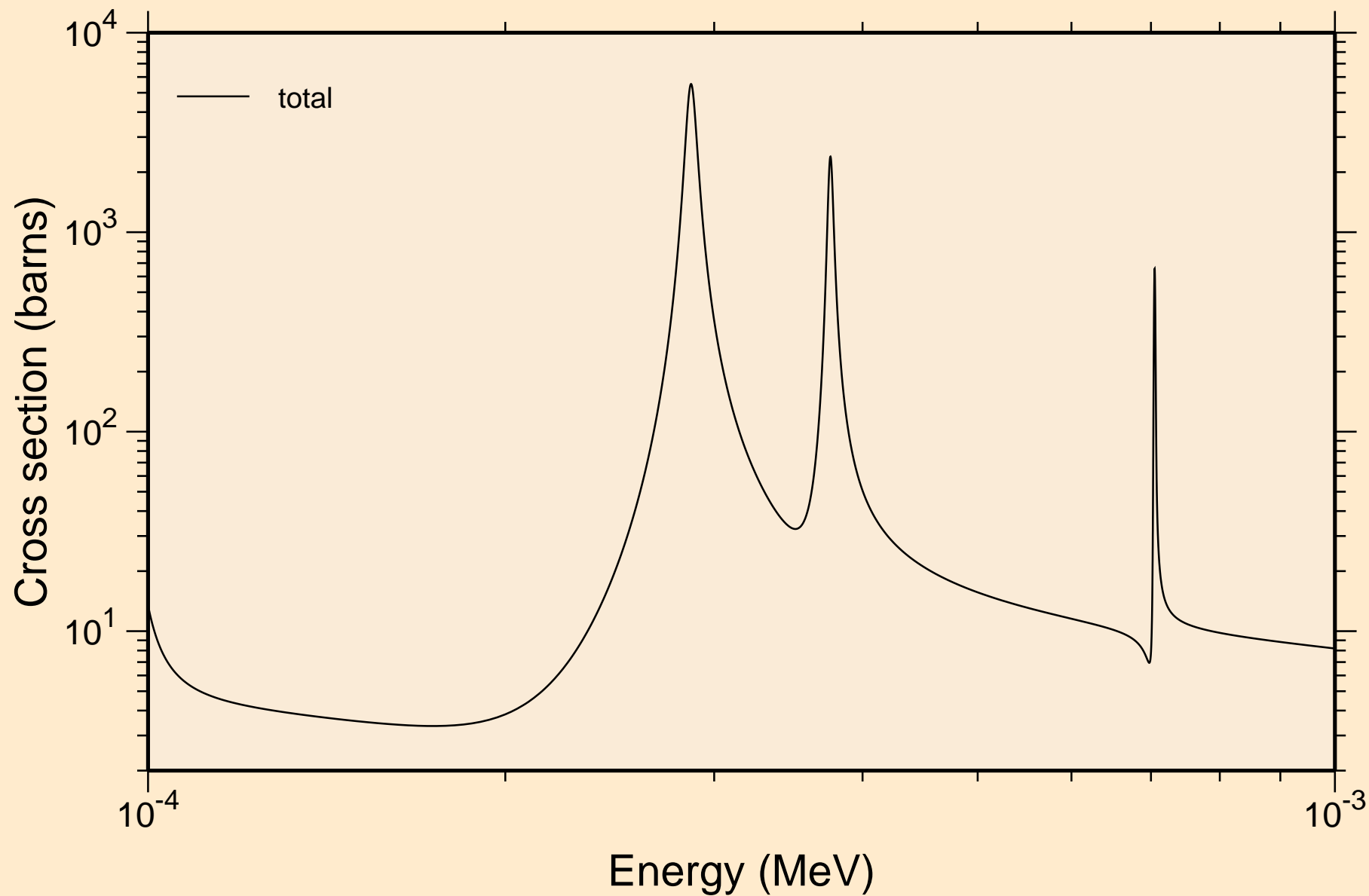
## Principal cross sections



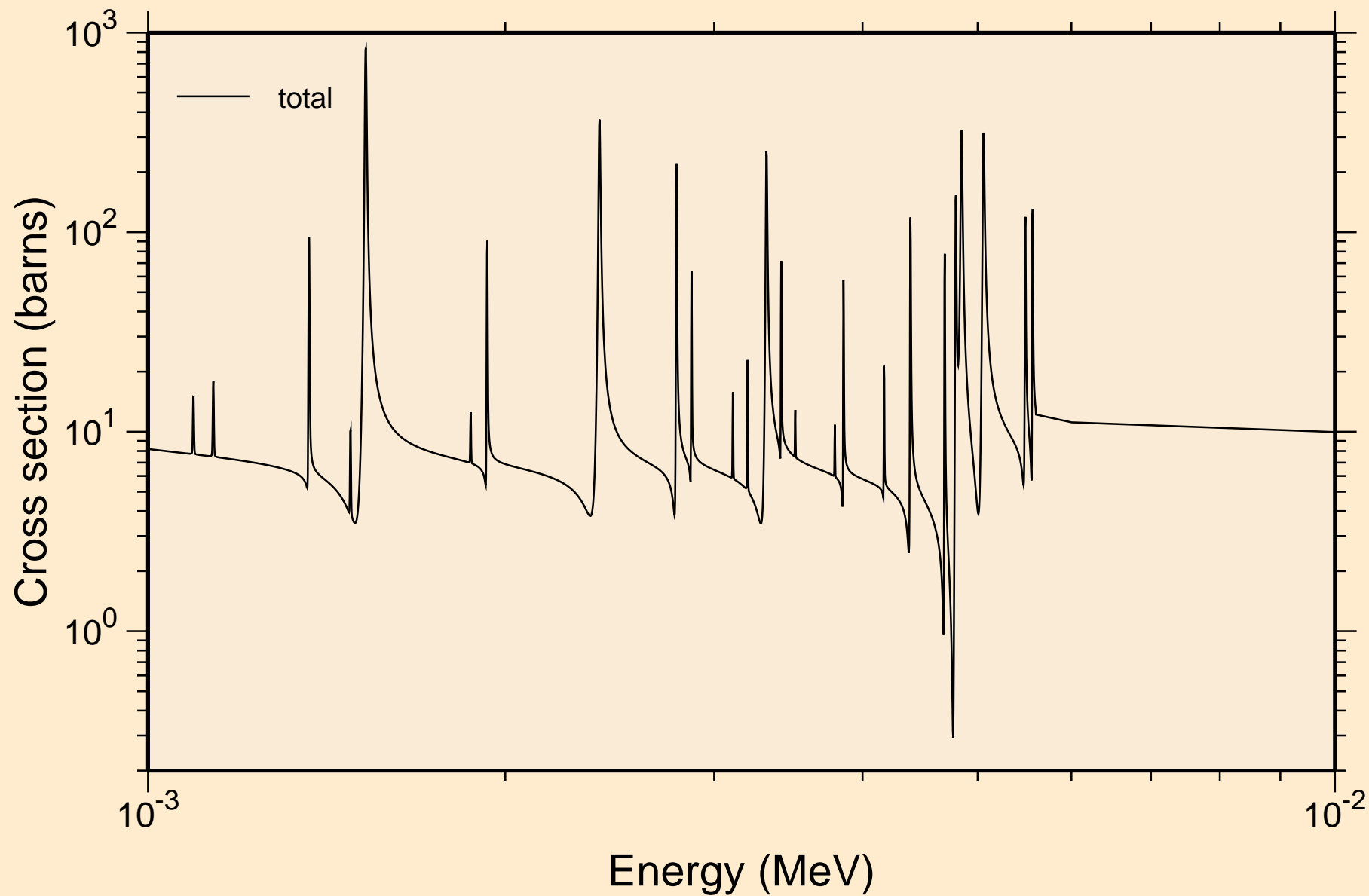
31-GA-71 FOR FENDL-3.1 FROM FENDL-3.1 WITH NJOY2012.50+  
resonance total cross section



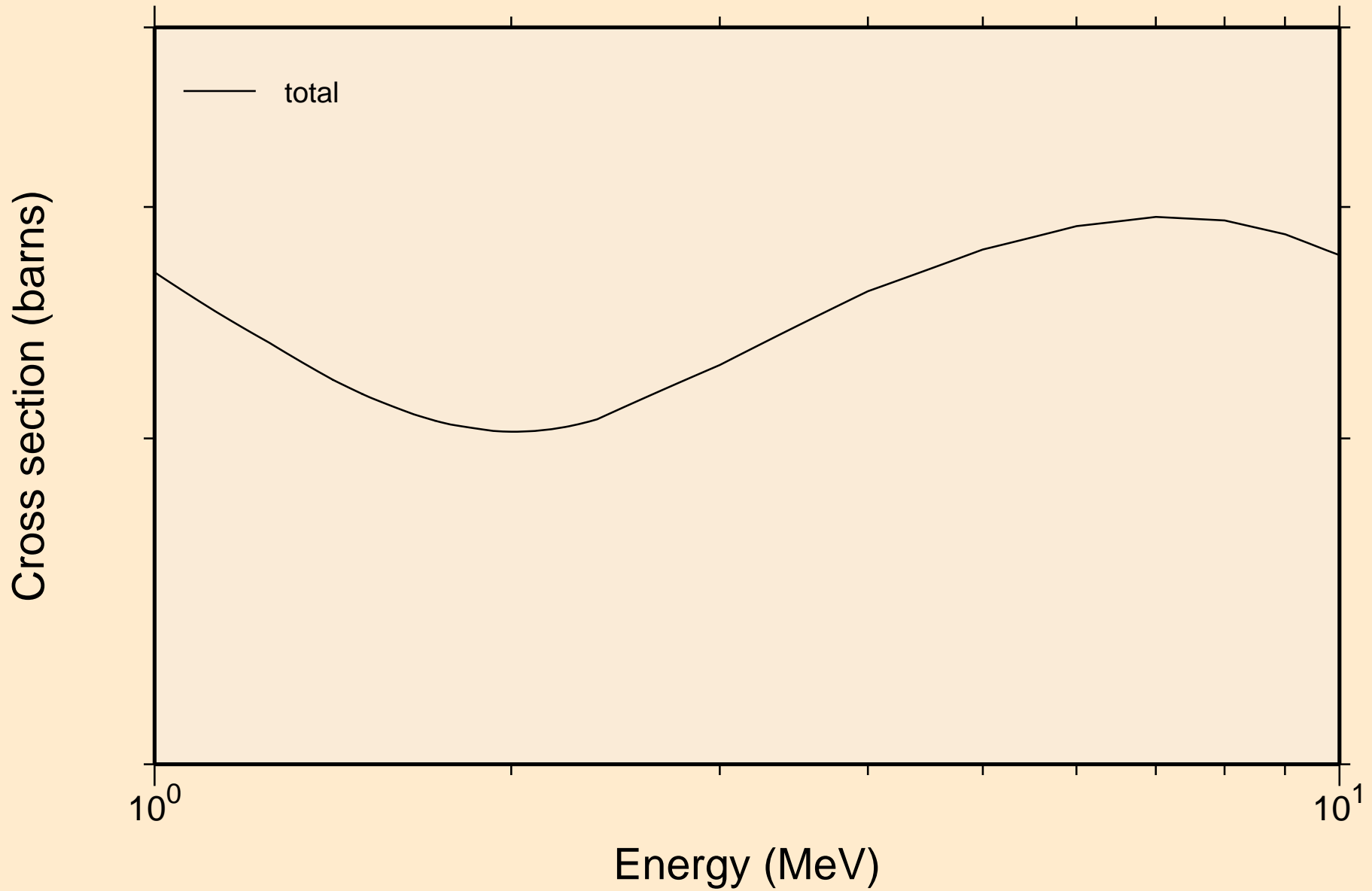
31-GA-71 FOR FENDL-3.1 FROM FENDL-3.1 WITH NJOY2012.50+  
resonance total cross section



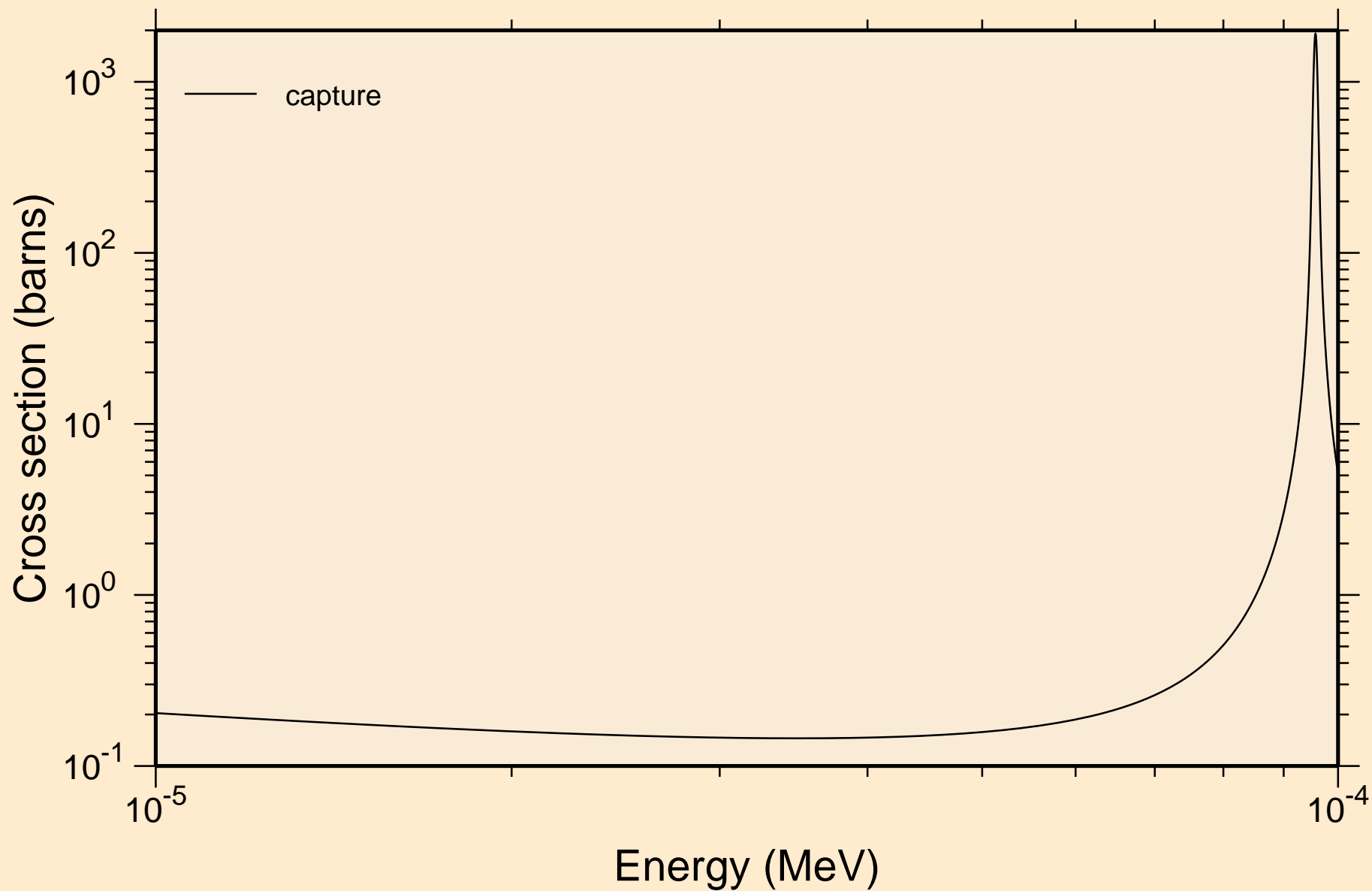
31-GA-71 FOR FENDL-3.1 FROM FENDL-3.1 WITH NJOY2012.50+  
resonance total cross section



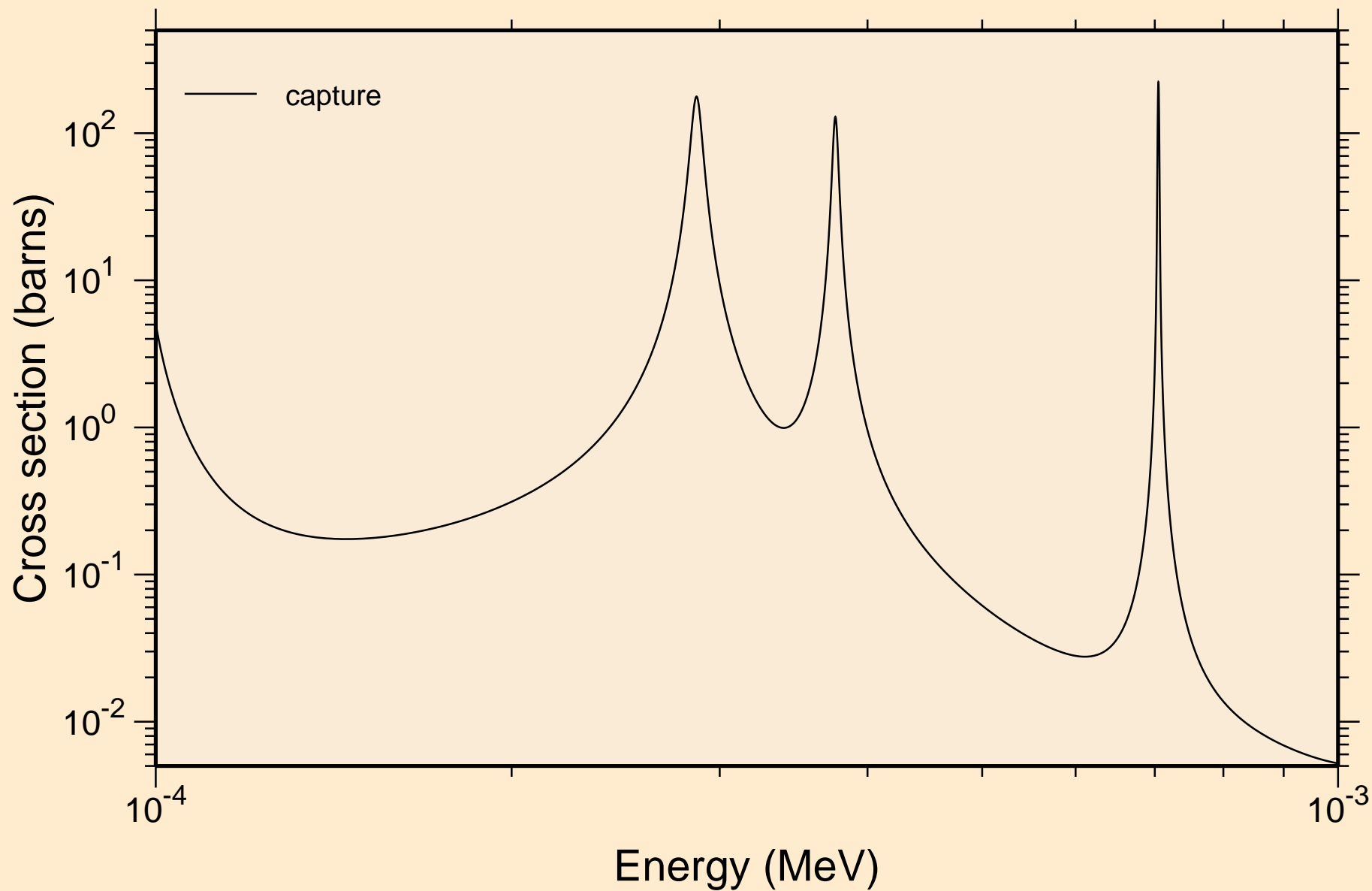
31-GA-71 FOR FENDL-3.1 FROM FENDL-3.1 WITH NJOY2012.50+  
resonance total cross section



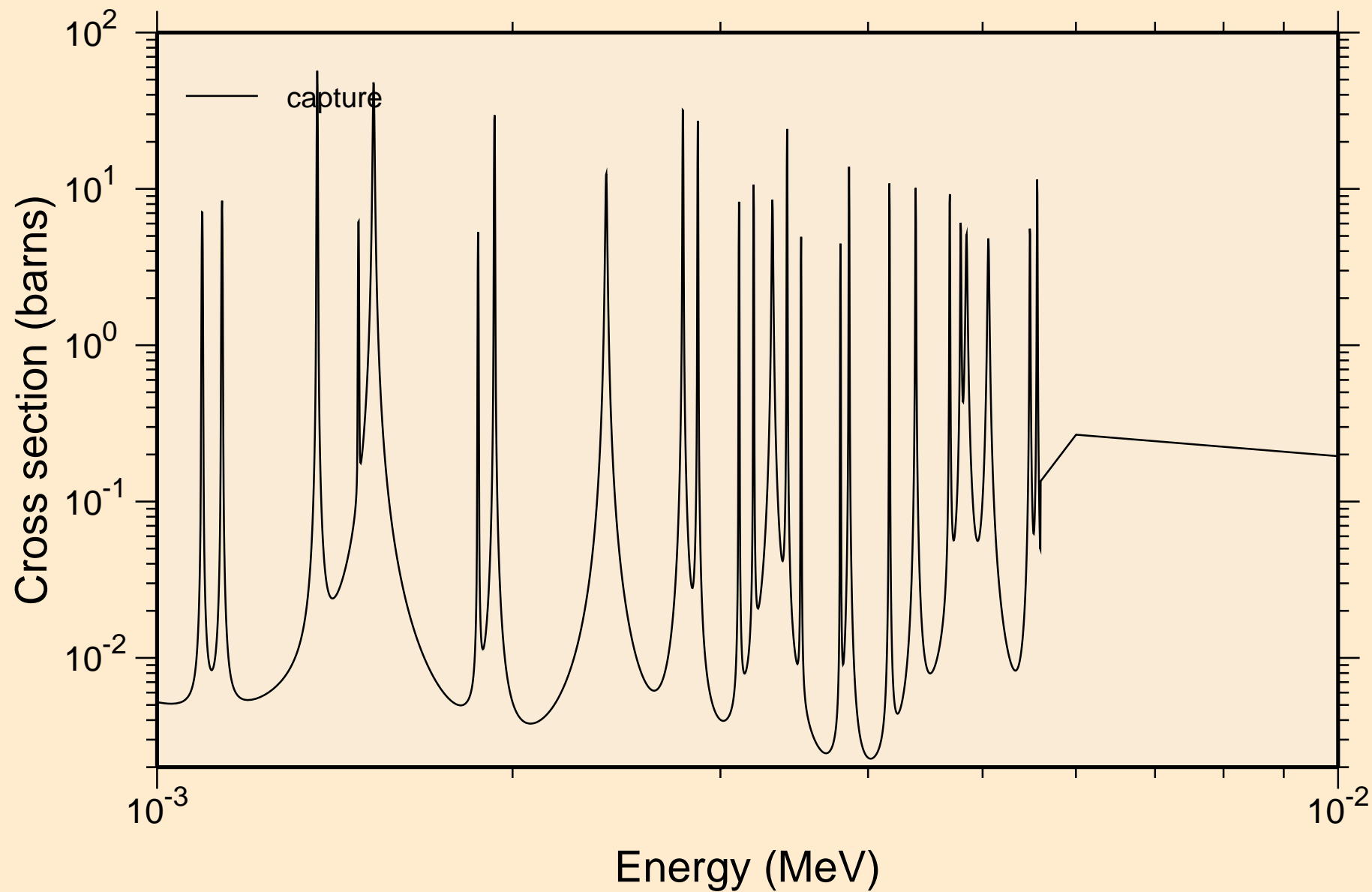
31-GA-71 FOR FENDL-3.1 FROM FENDL-3.1 WITH NJOY2012.50+  
resonance absorption cross sections



31-GA-71 FOR FENDL-3.1 FROM FENDL-3.1 WITH NJOY2012.50+  
resonance absorption cross sections

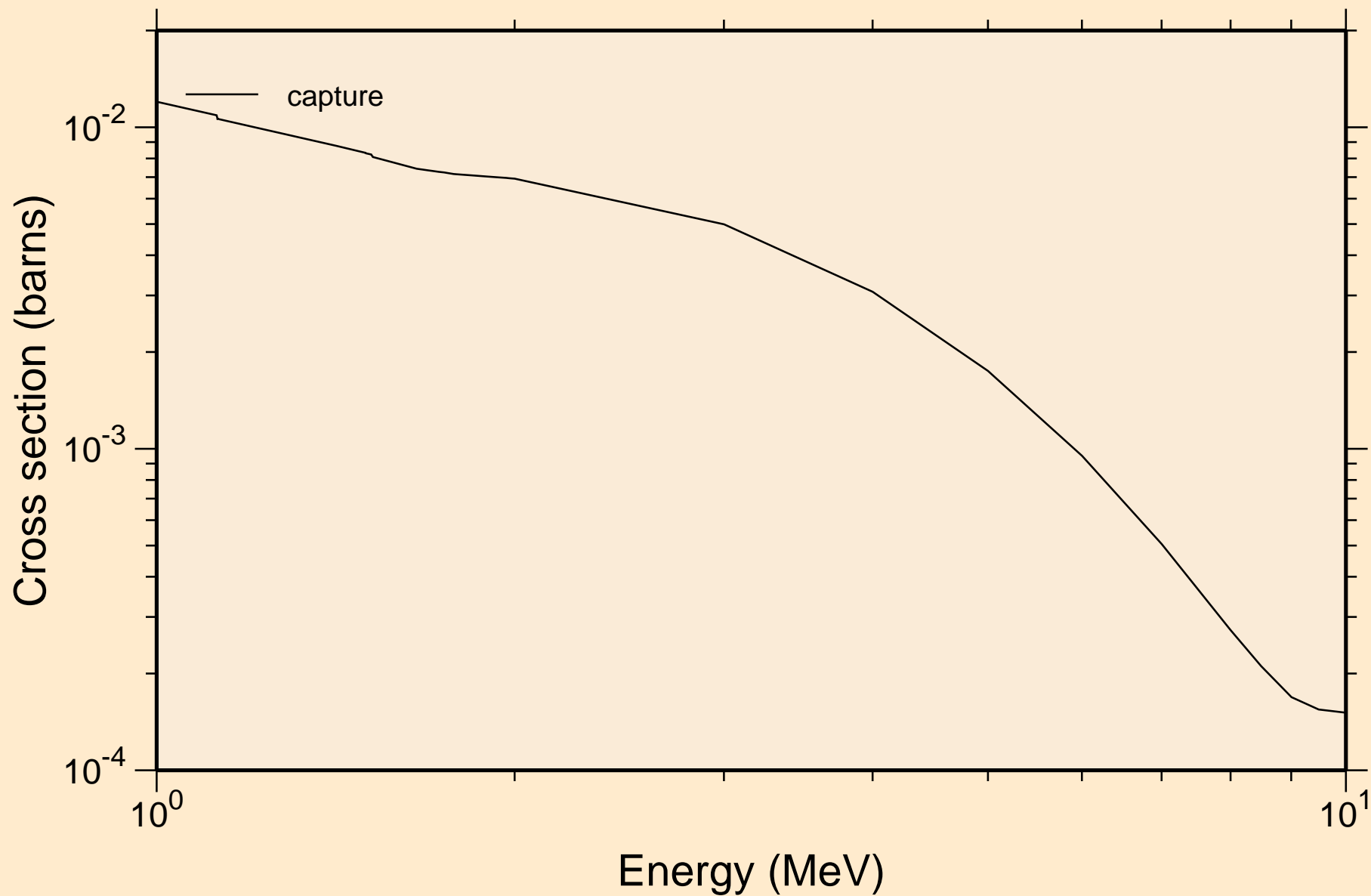


31-GA-71 FOR FENDL-3.1 FROM FENDL-3.1 WITH NJOY2012.50+  
resonance absorption cross sections

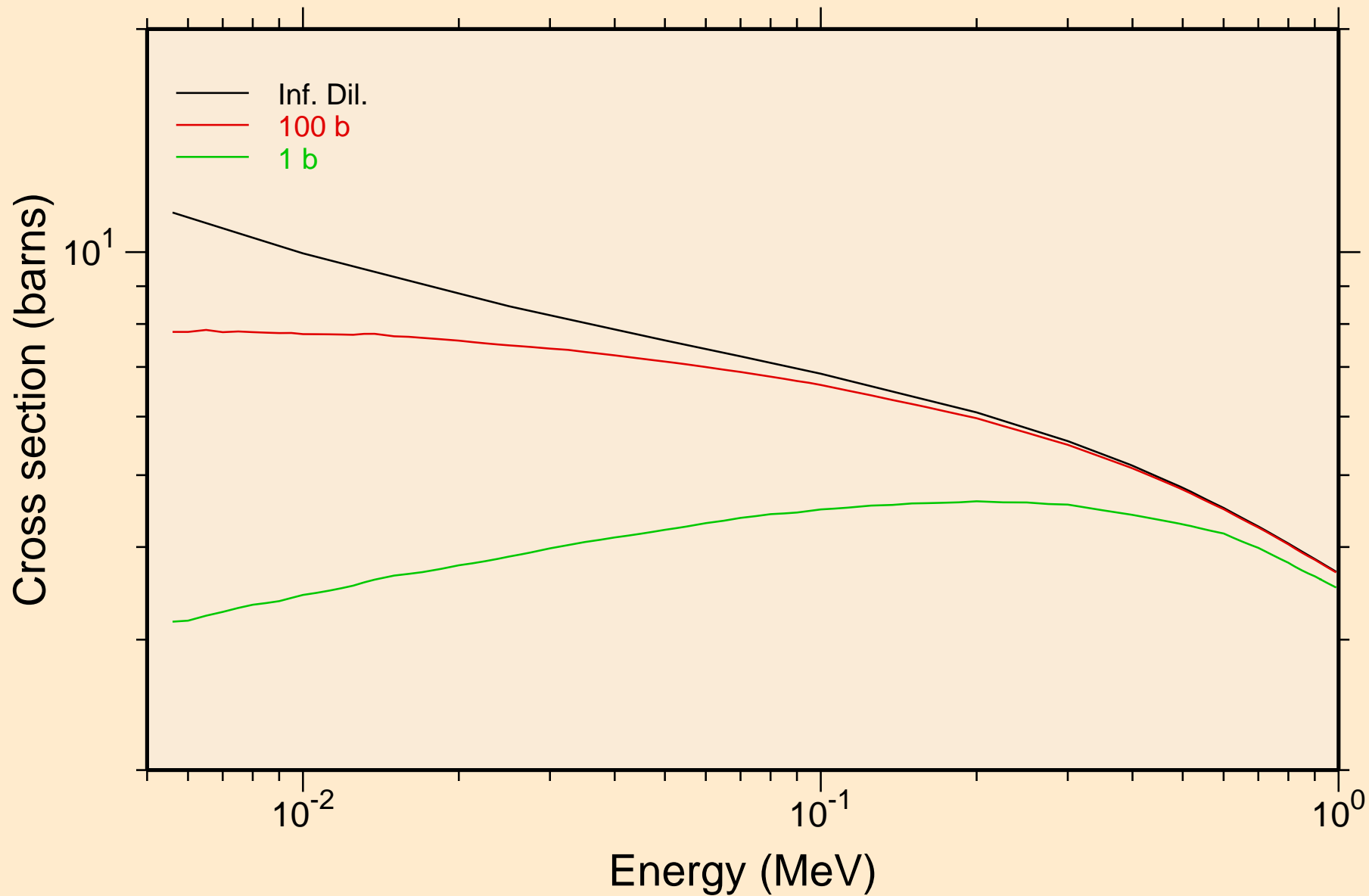




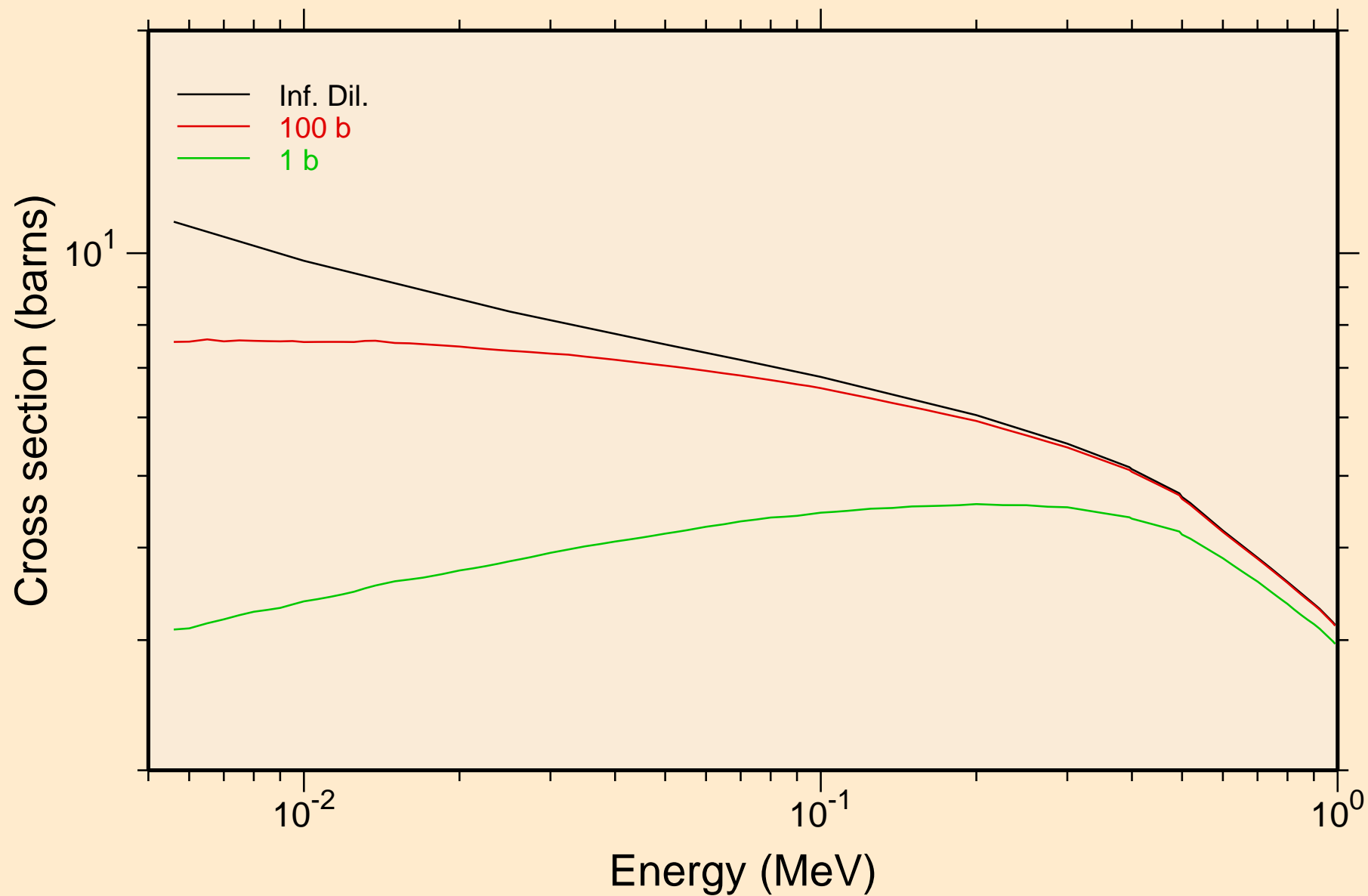
31-GA-71 FOR FENDL-3.1 FROM FENDL-3.1 WITH NJOY2012.50+  
resonance absorption cross sections



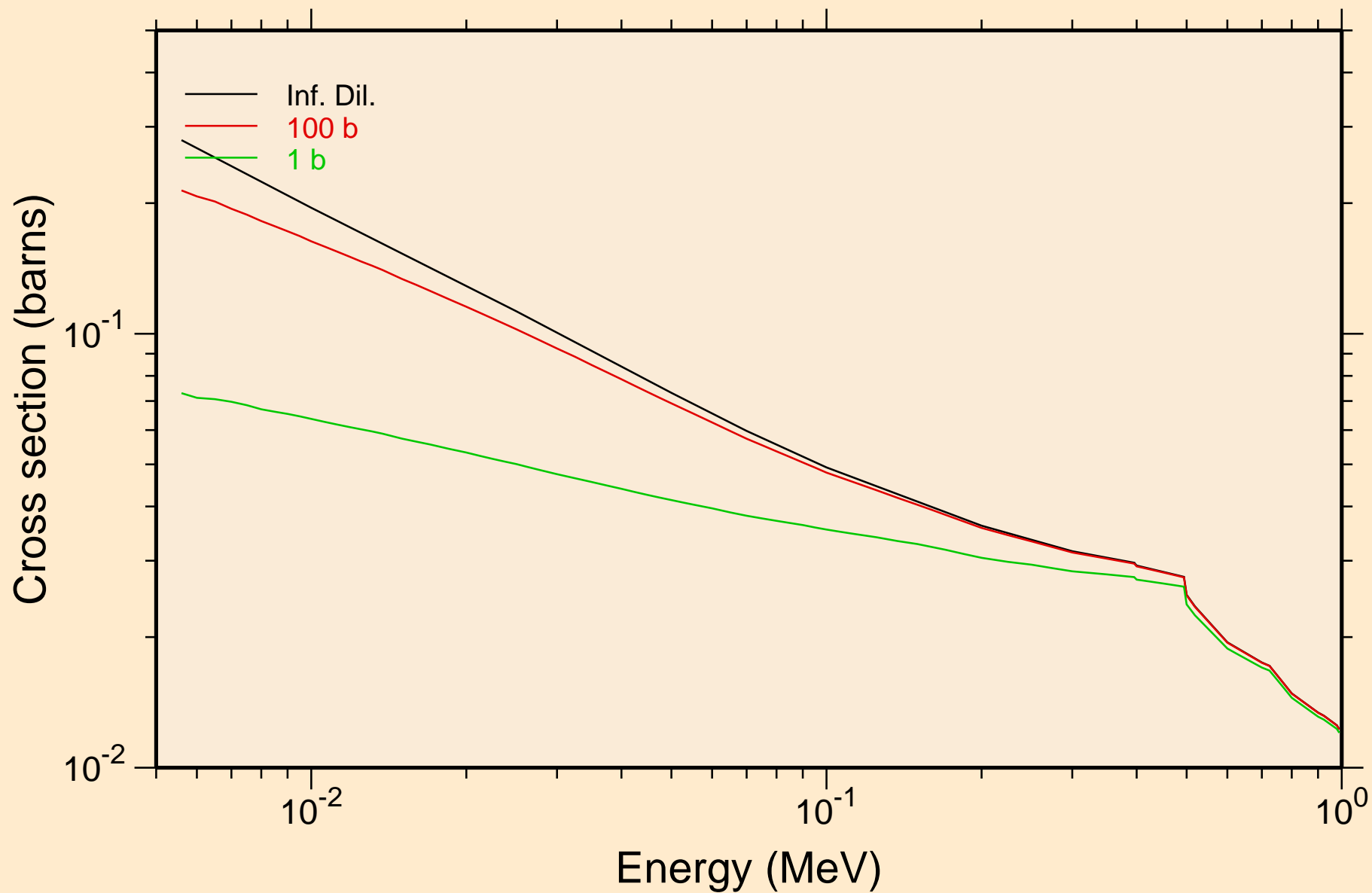
31-GA-71 FOR FENDL-3.1 FROM FENDL-3.1 WITH NJOY2012.50+  
UR total cross section



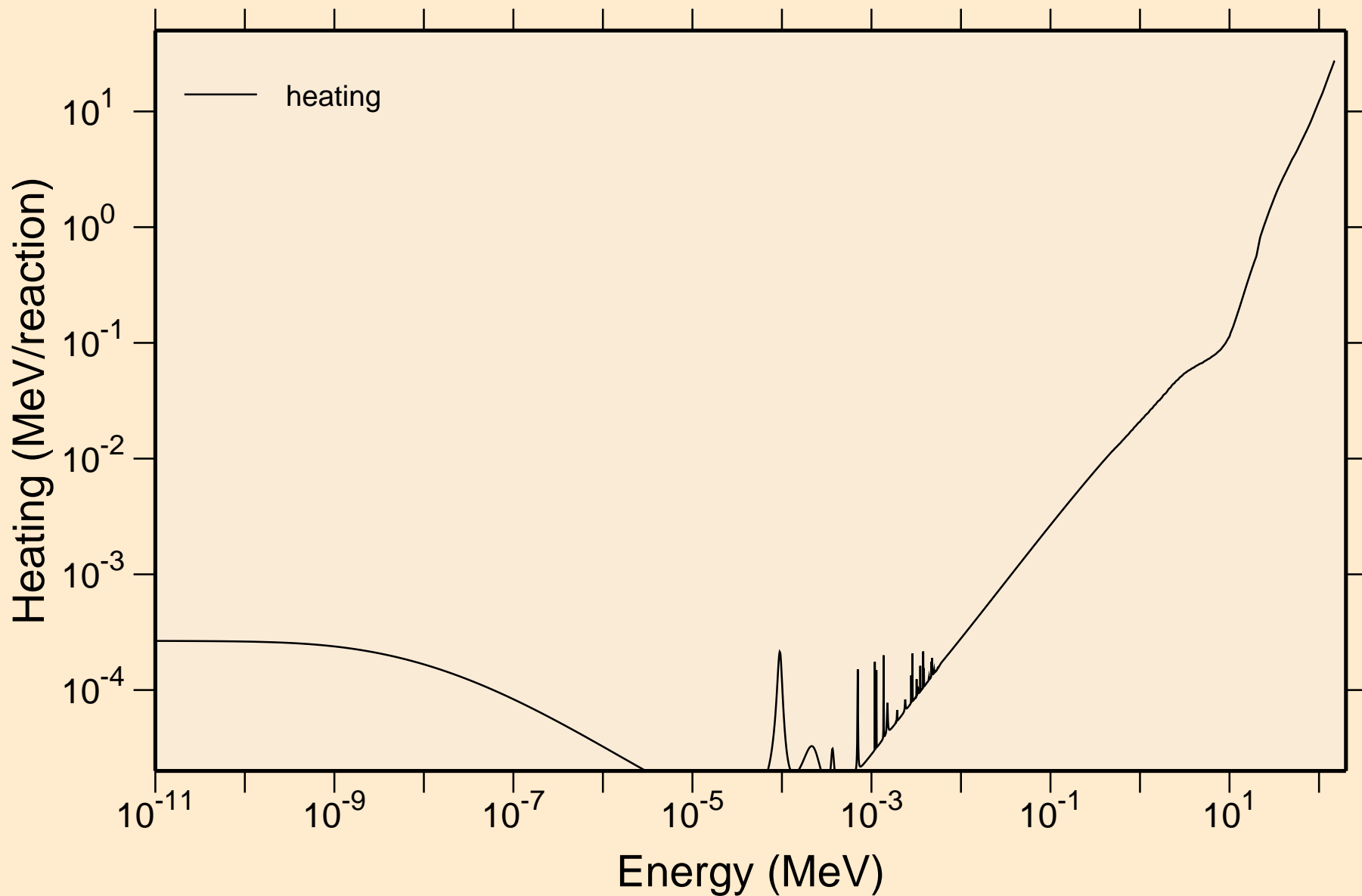
# 31-GA-71 FOR FENDL-3.1 FROM FENDL-3.1 WITH NJOY2012.50+ UR elastic cross section



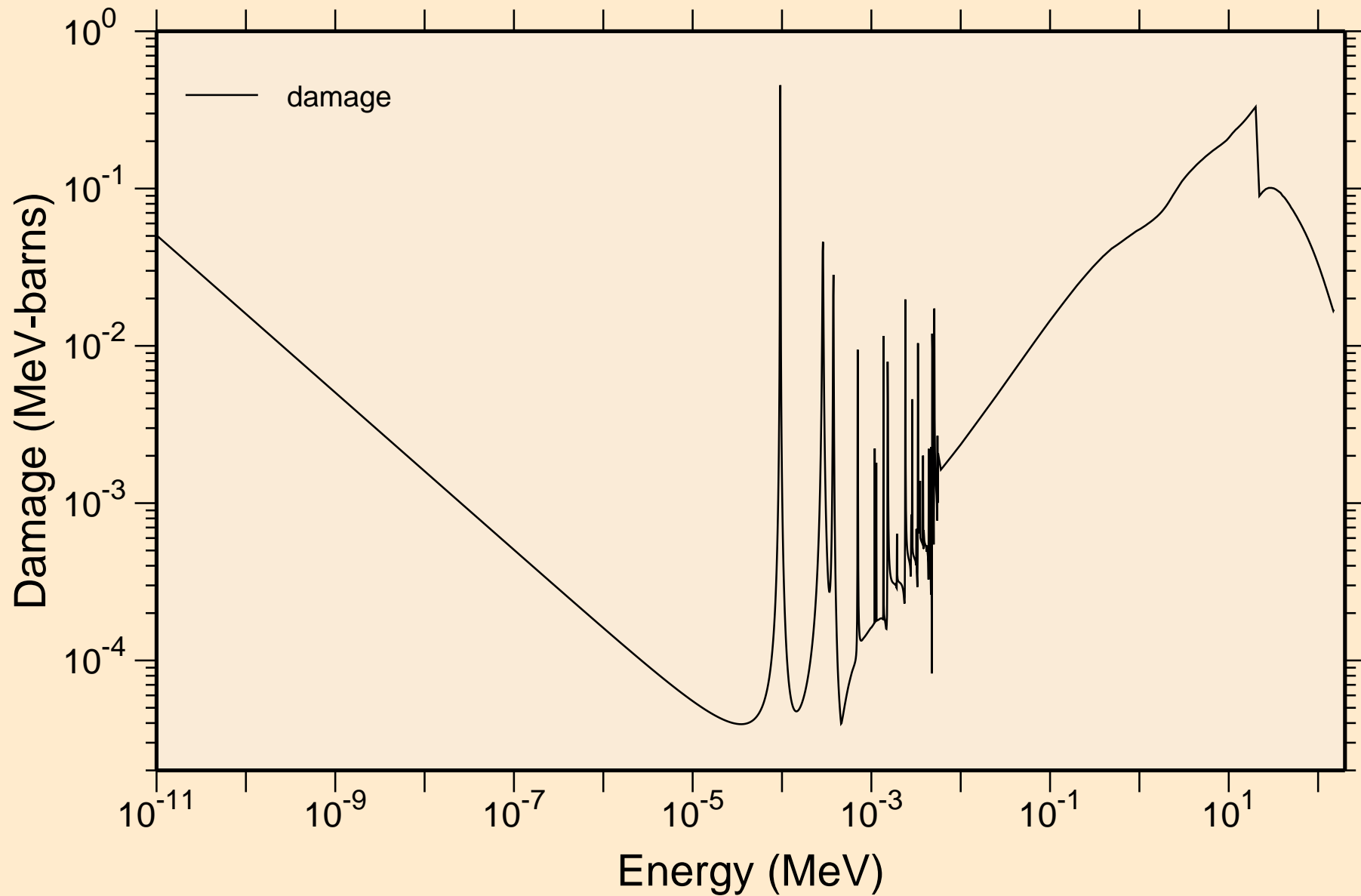
# 31-GA-71 FOR FENDL-3.1 FROM FENDL-3.1 WITH NJOY2012.50+ UR capture cross section



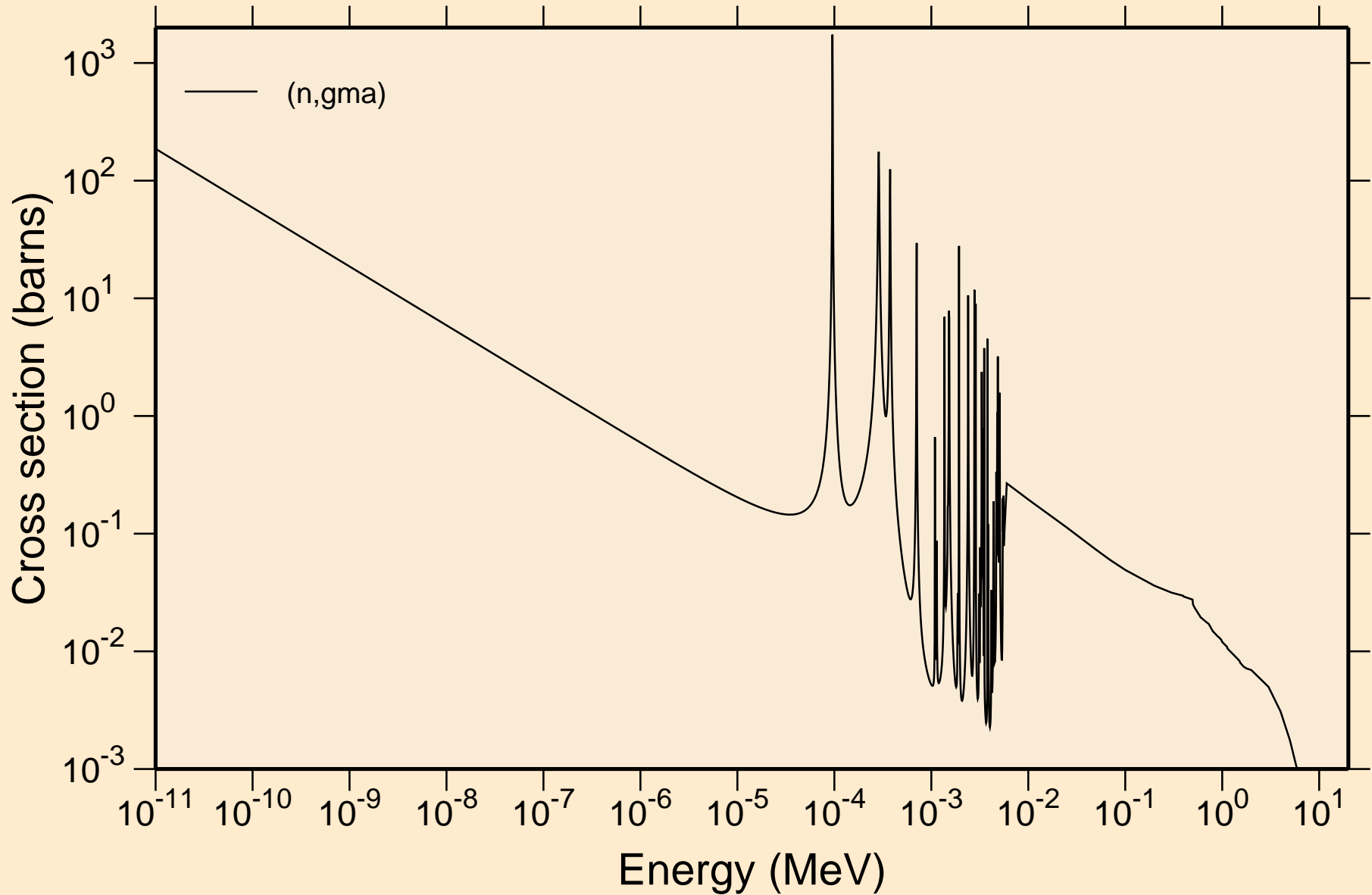
# 31-GA-71 FOR FENDL-3.1 FROM FENDL-3.1 WITH NJOY2012.50+ Heating



# 31-GA-71 FOR FENDL-3.1 FROM FENDL-3.1 WITH NJOY2012.50+ Damage

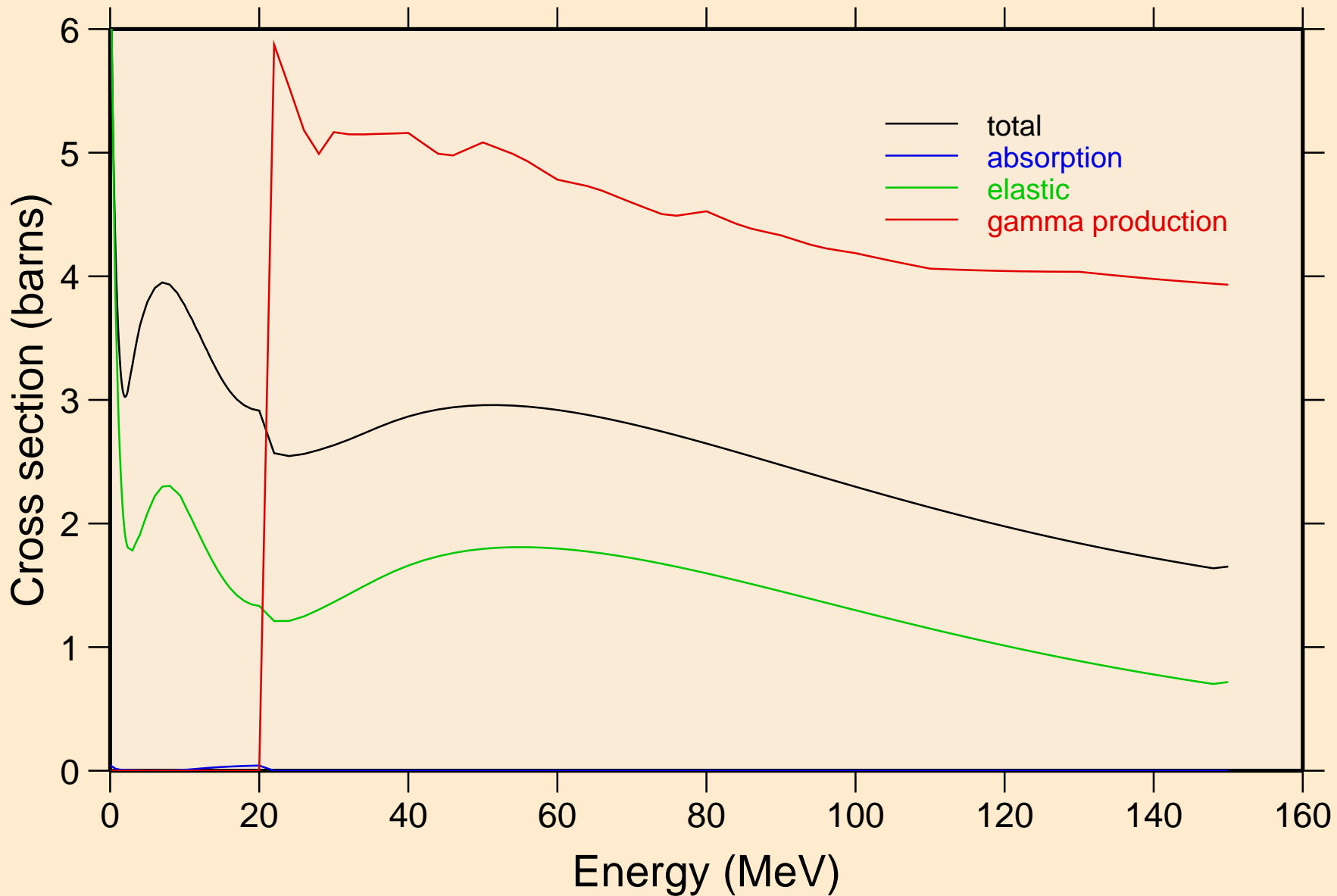


31-GA-71 FOR FENDL-3.1 FROM FENDL-3.1 WITH NJOY2012.50+  
Non-threshold reactions



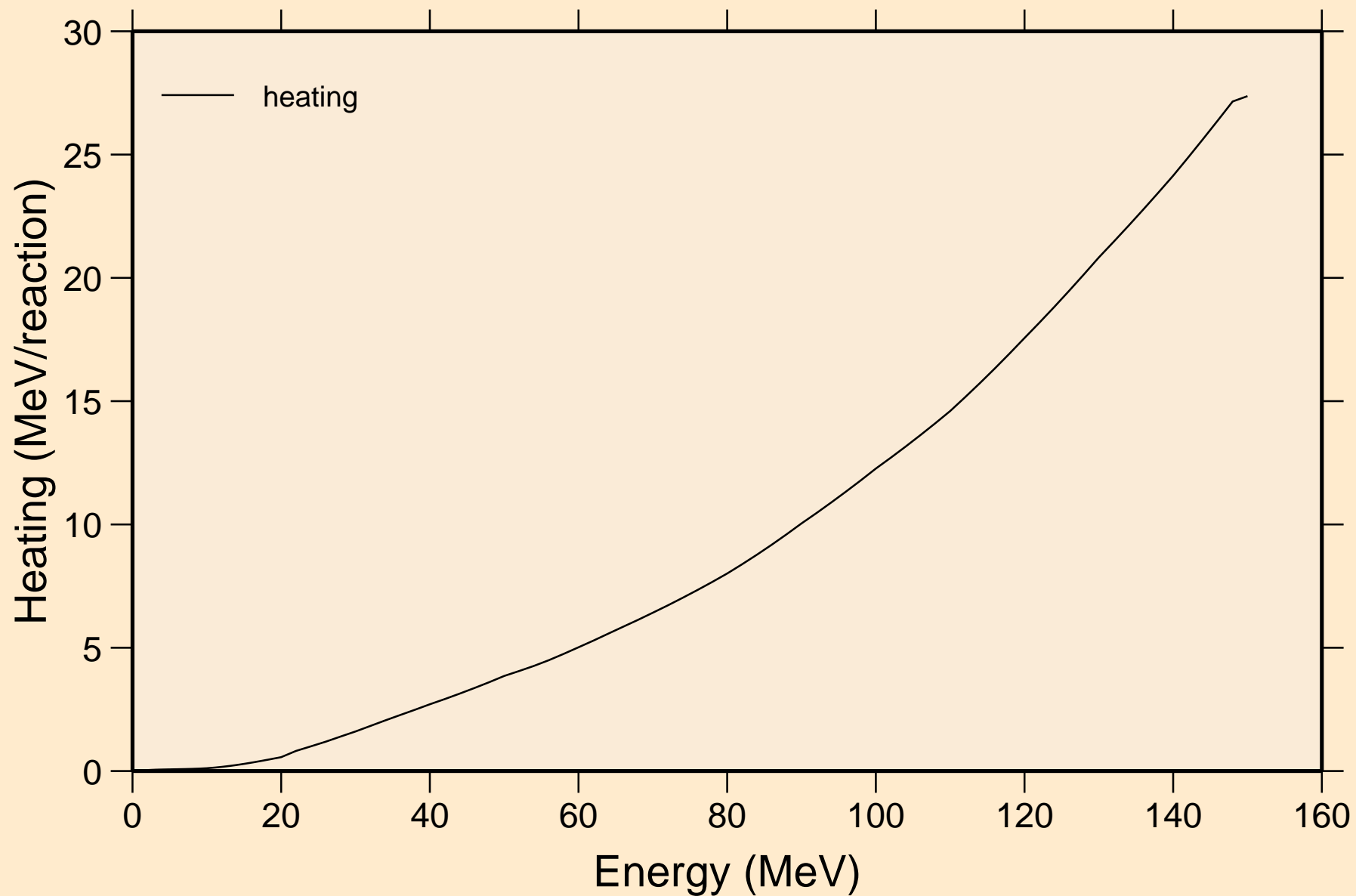
# 31-GA-71 FOR FENDL-3.1 FROM FENDL-3.1 WITH NJOY2012.50+

## Principal cross sections

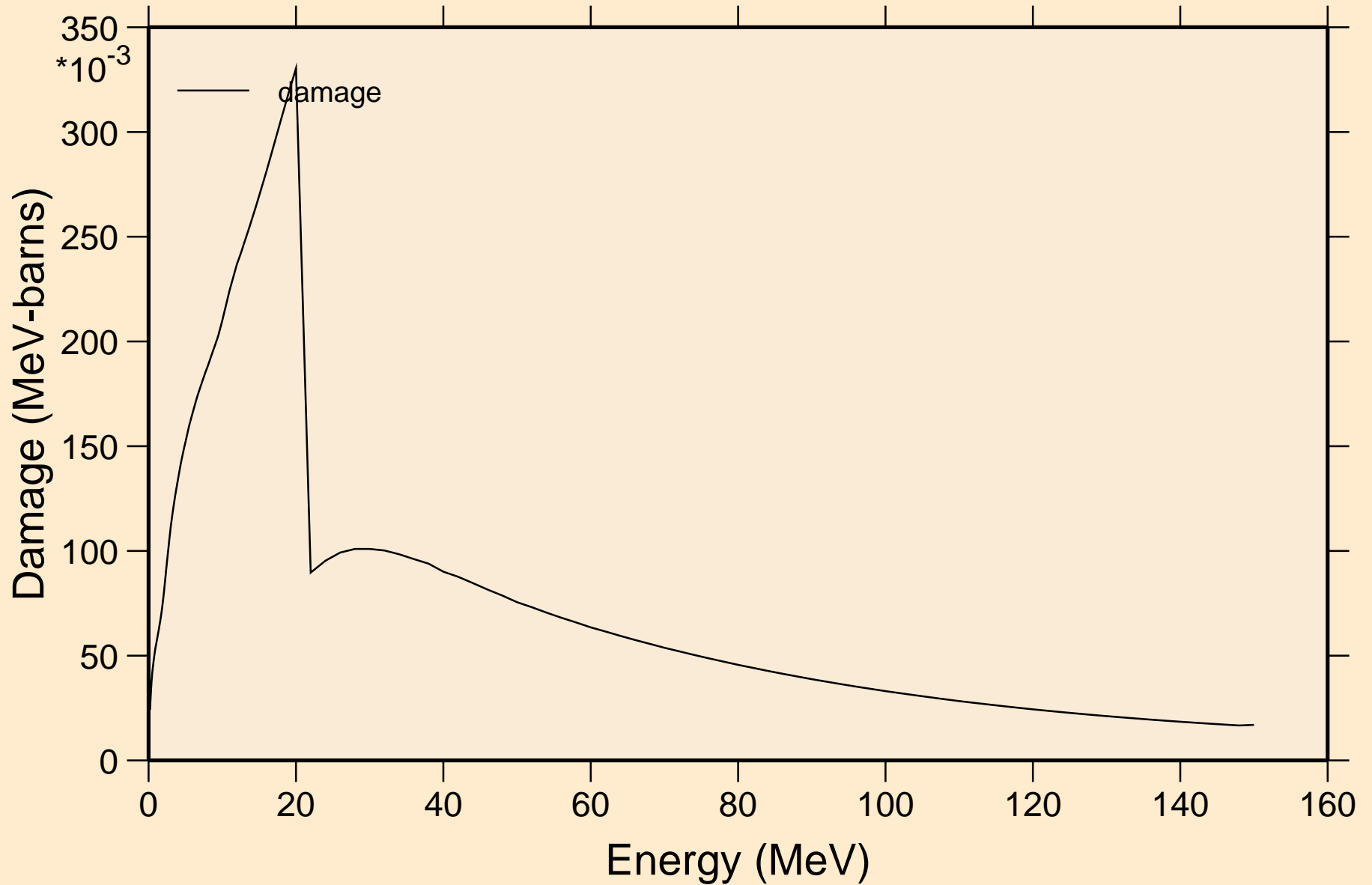




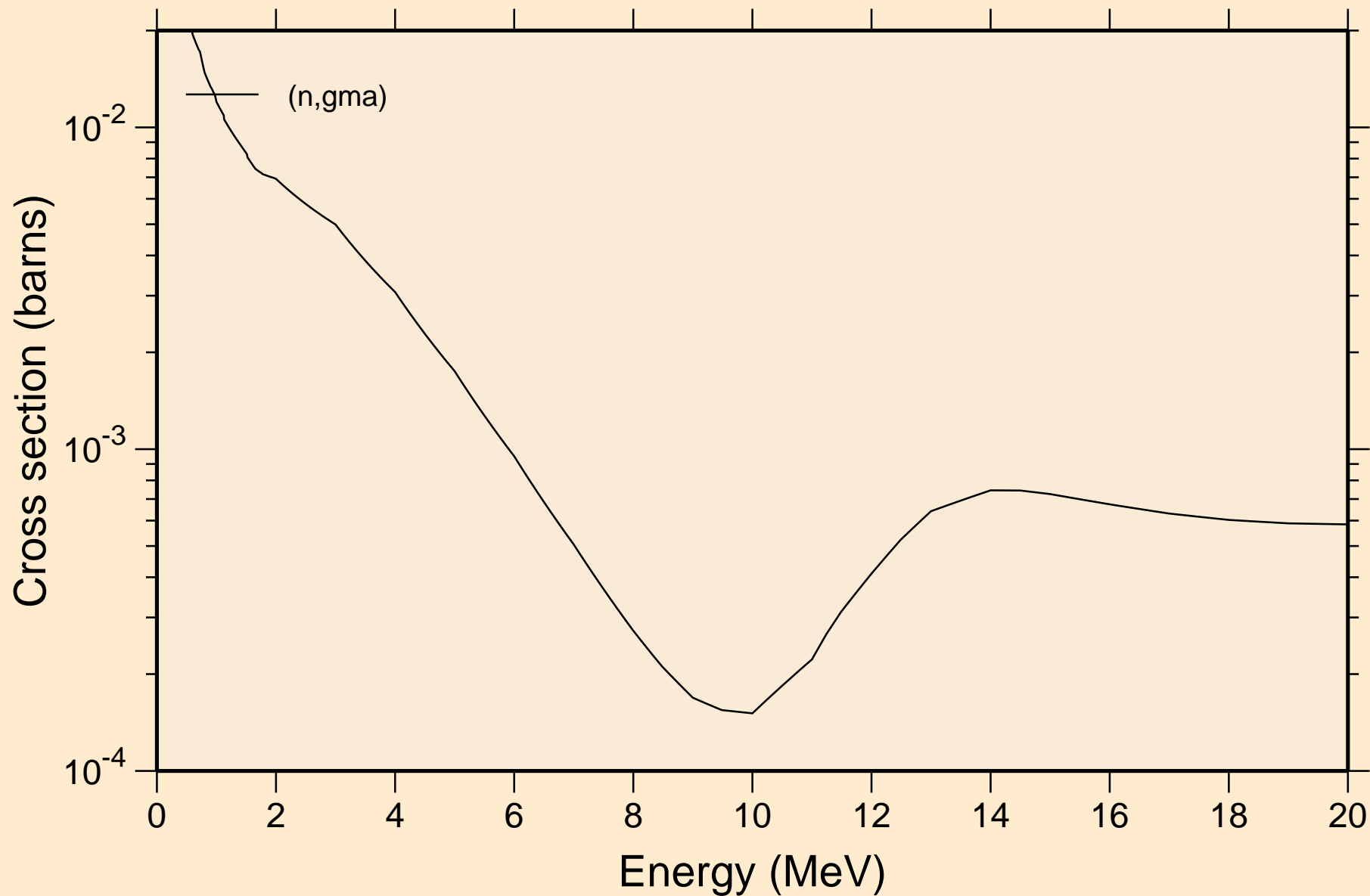
# 31-GA-71 FOR FENDL-3.1 FROM FENDL-3.1 WITH NJOY2012.50+ Heating



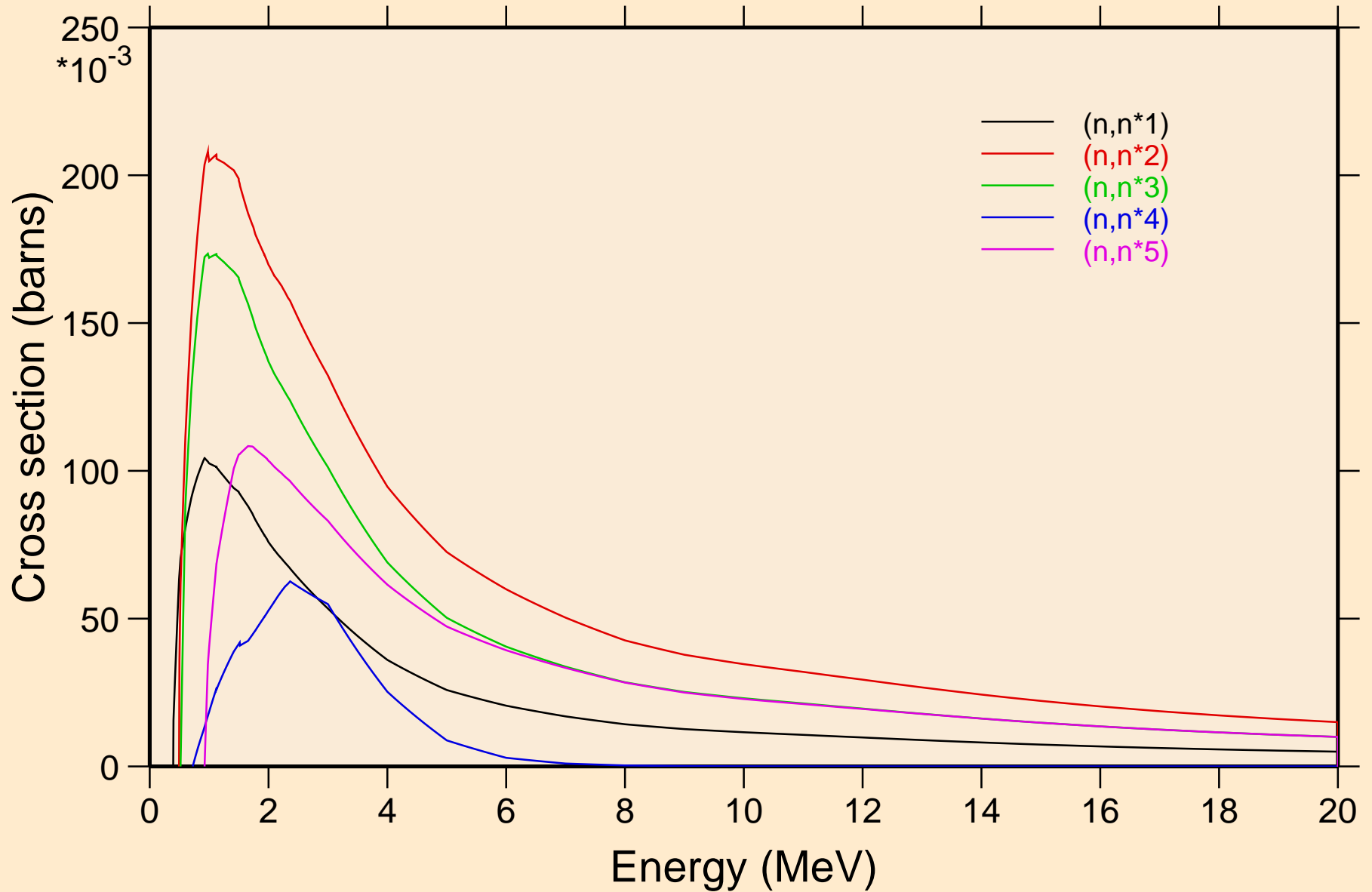
# 31-GA-71 FOR FENDL-3.1 FROM FENDL-3.1 WITH NJOY2012.50+ Damage



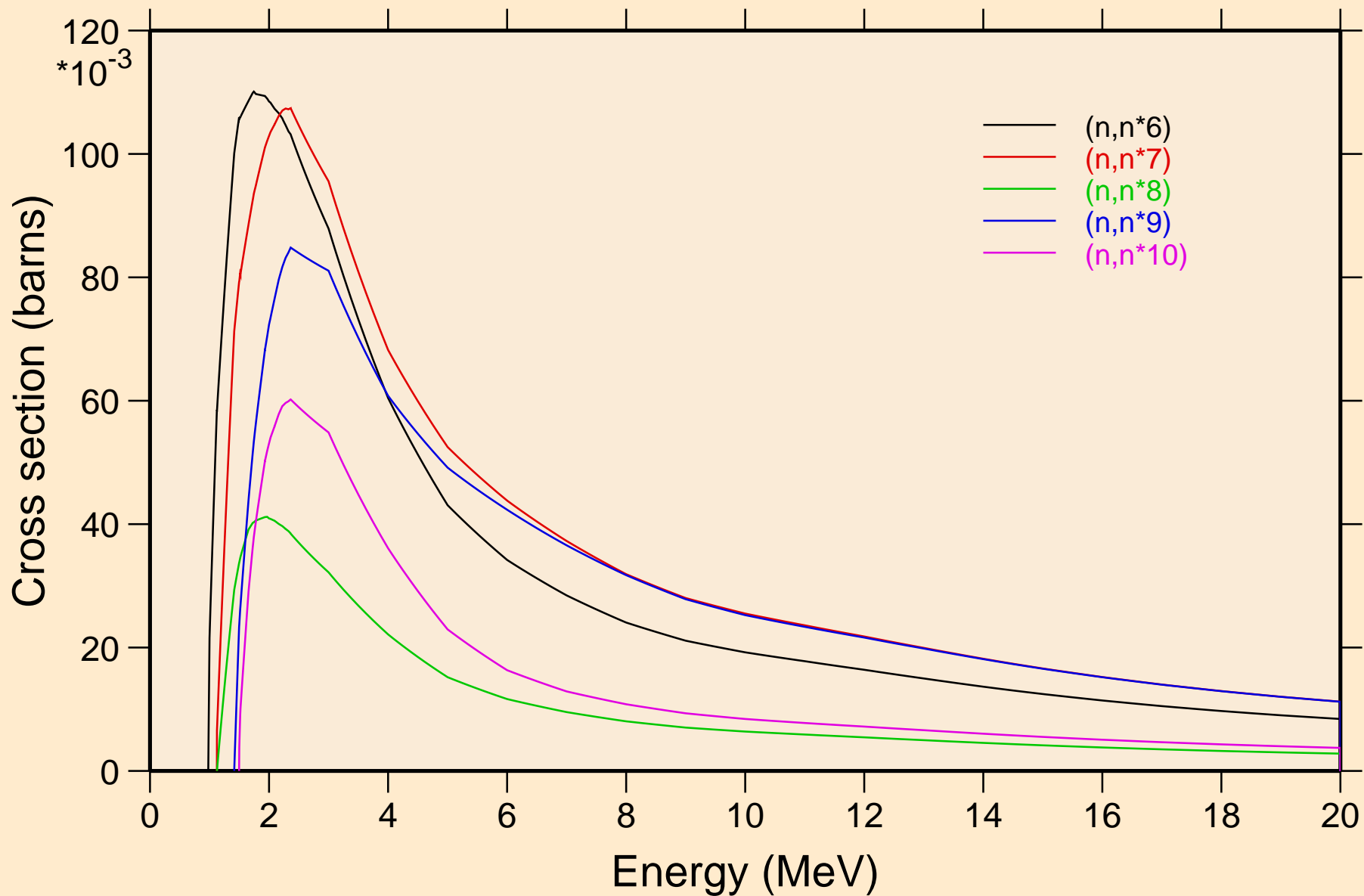
31-GA-71 FOR FENDL-3.1 FROM FENDL-3.1 WITH NJOY2012.50+  
Non-threshold reactions



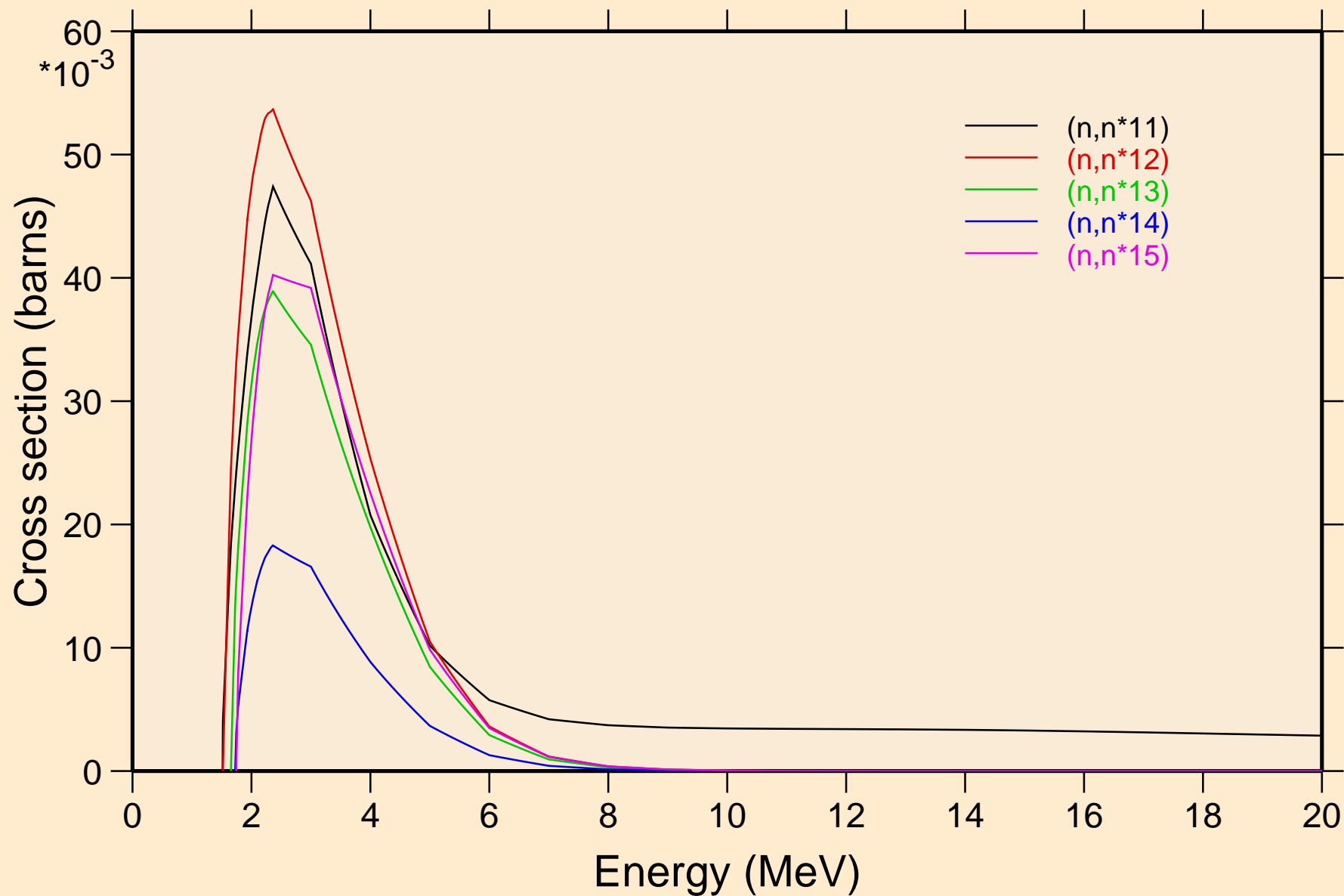
# 31-GA-71 FOR FENDL-3.1 FROM FENDL-3.1 WITH NJOY2012.50+ Inelastic levels



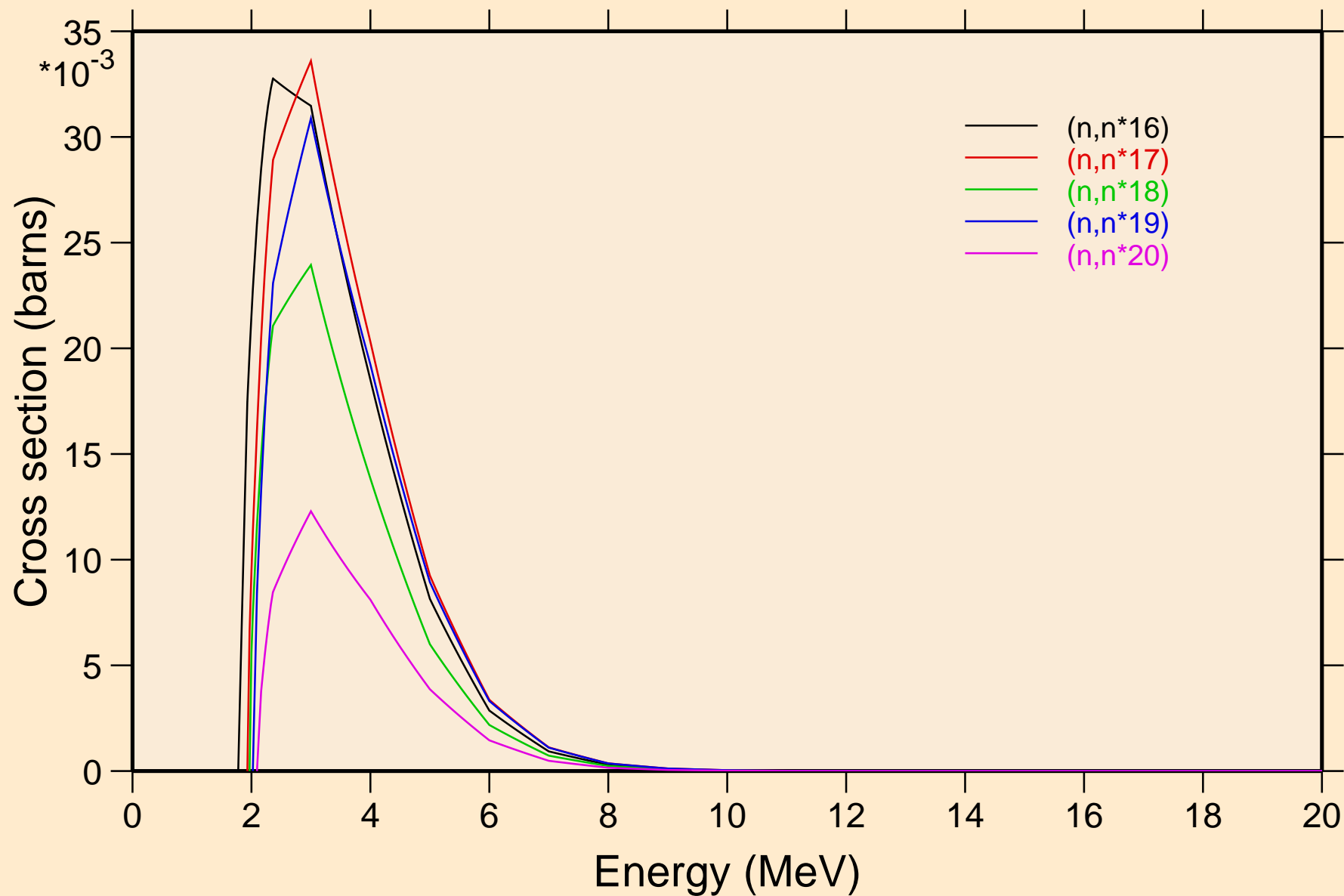
# 31-GA-71 FOR FENDL-3.1 FROM FENDL-3.1 WITH NJOY2012.50+ Inelastic levels



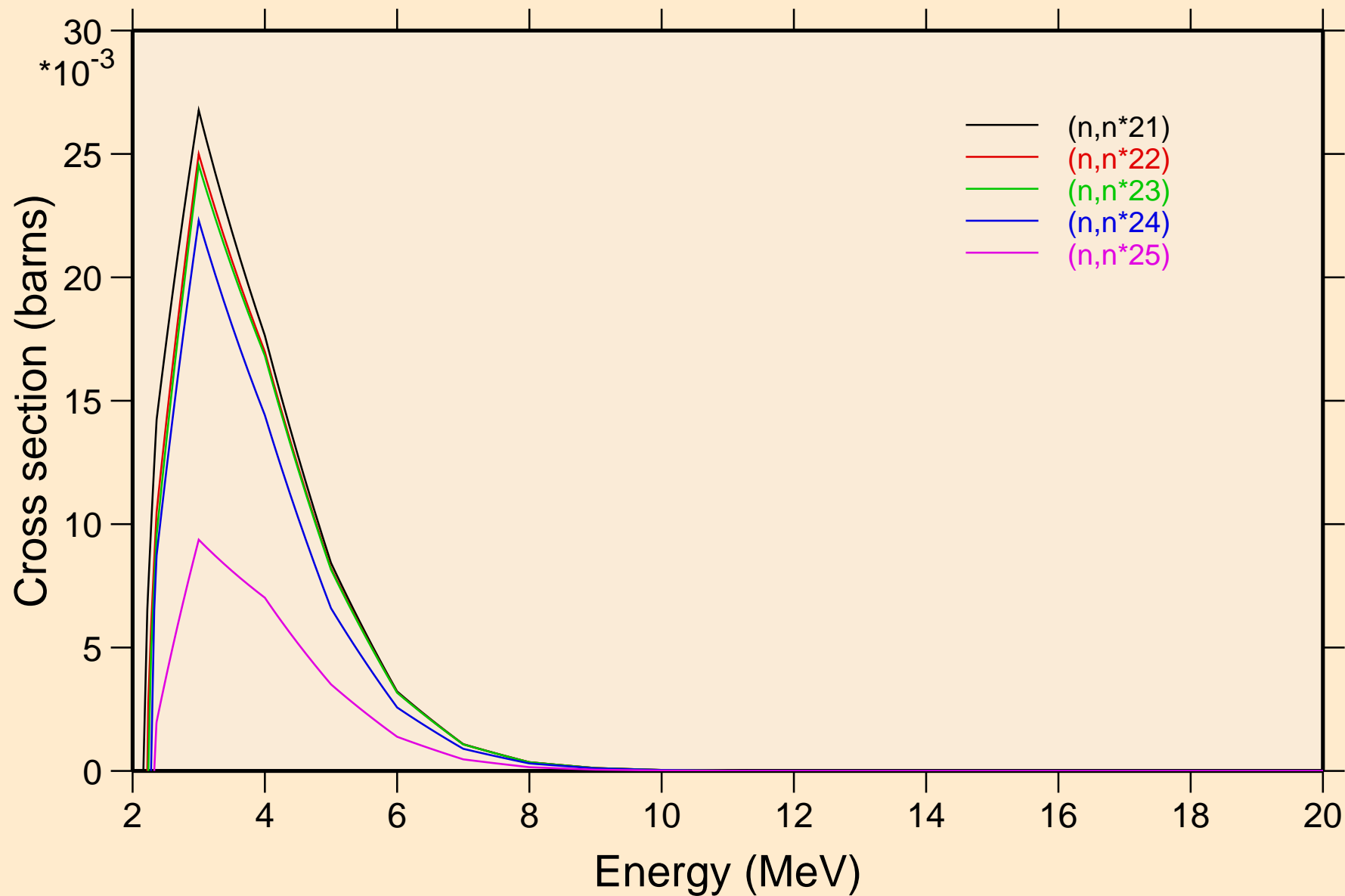
# 31-GA-71 FOR FENDL-3.1 FROM FENDL-3.1 WITH NJOY2012.50+ Inelastic levels



# 31-GA-71 FOR FENDL-3.1 FROM FENDL-3.1 WITH NJOY2012.50+ Inelastic levels

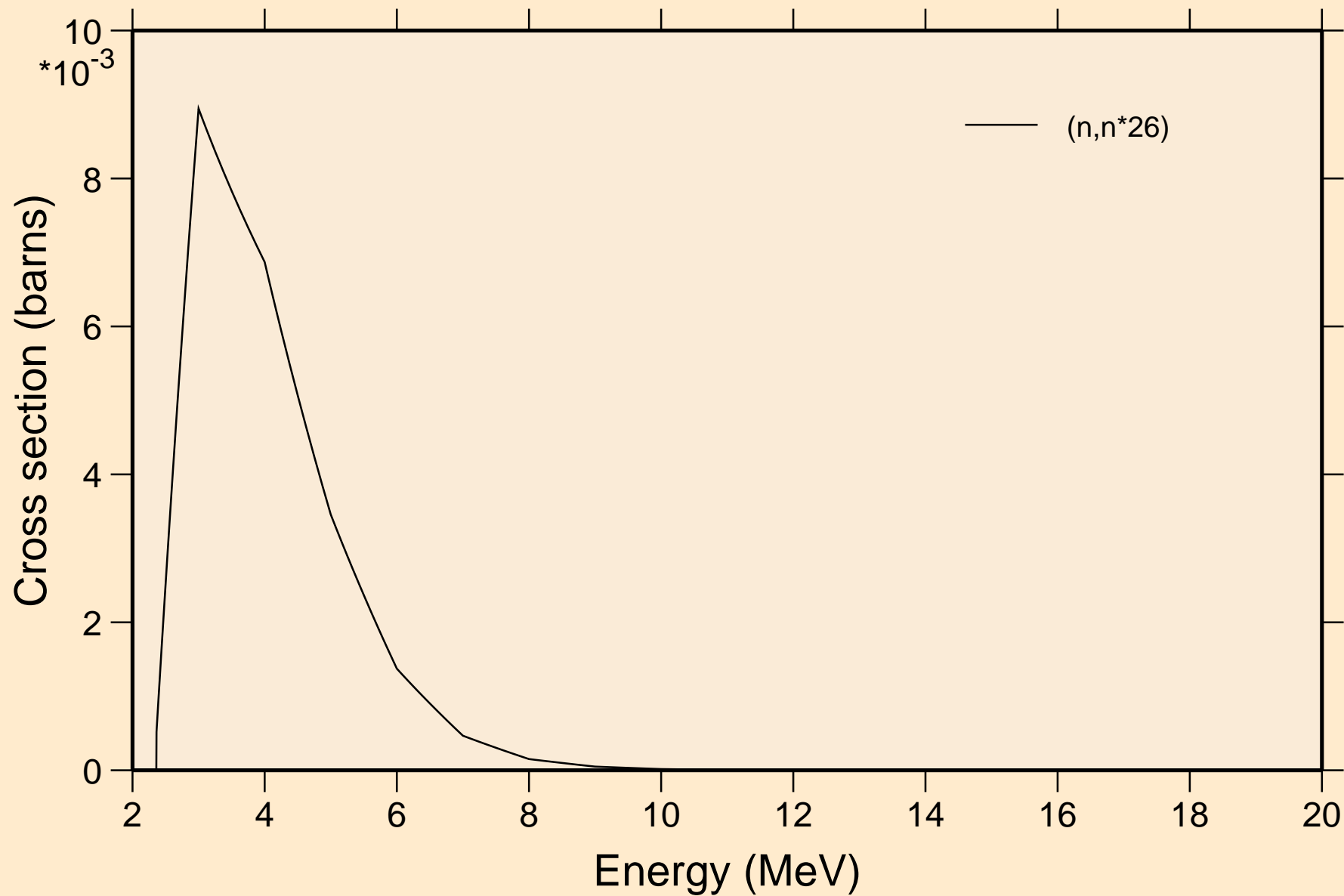


# 31-GA-71 FOR FENDL-3.1 FROM FENDL-3.1 WITH NJOY2012.50+ Inelastic levels

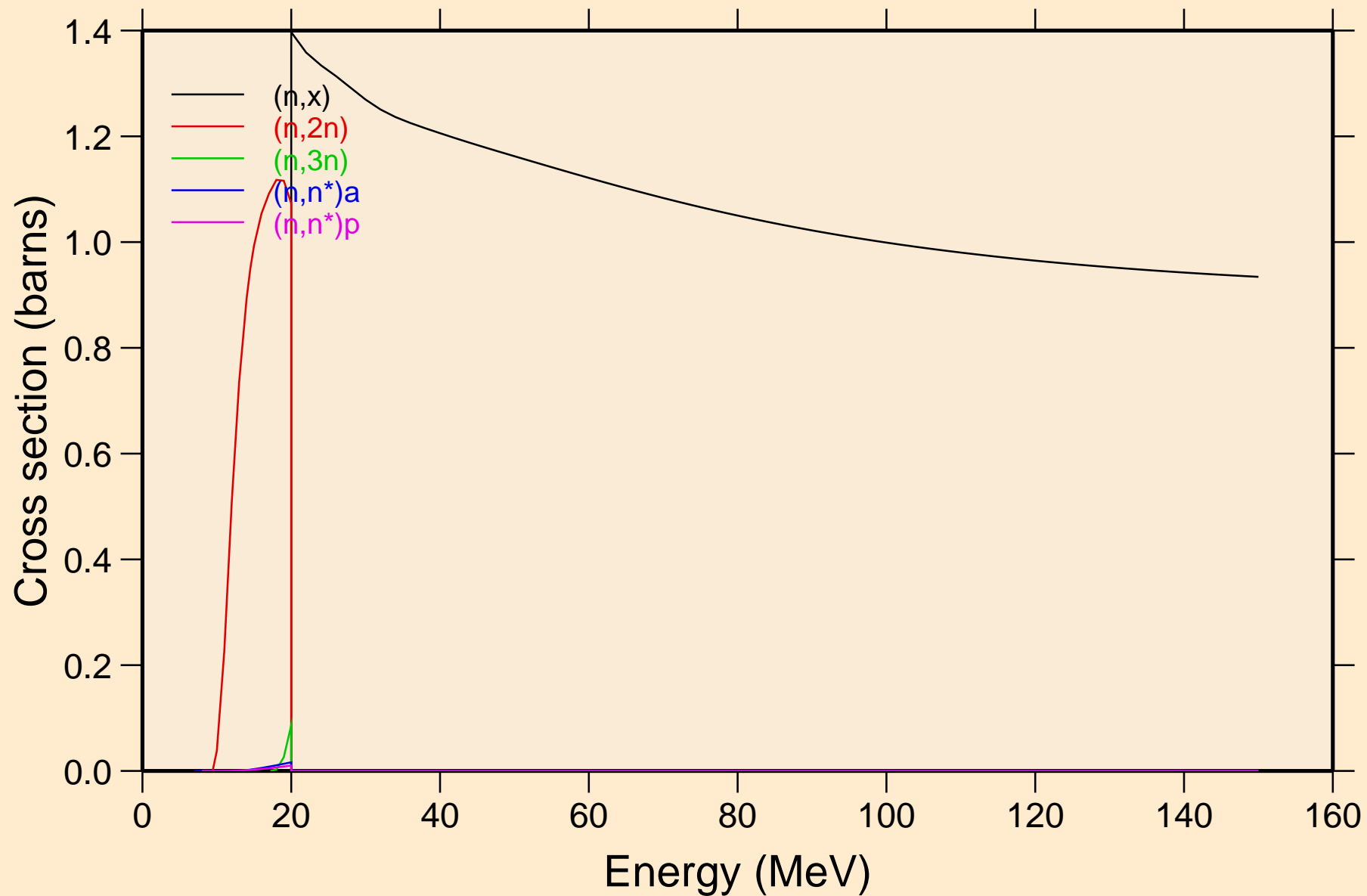




31-GA-71 FOR FENDL-3.1 FROM FENDL-3.1 WITH NJOY2012.50+  
Inelastic levels

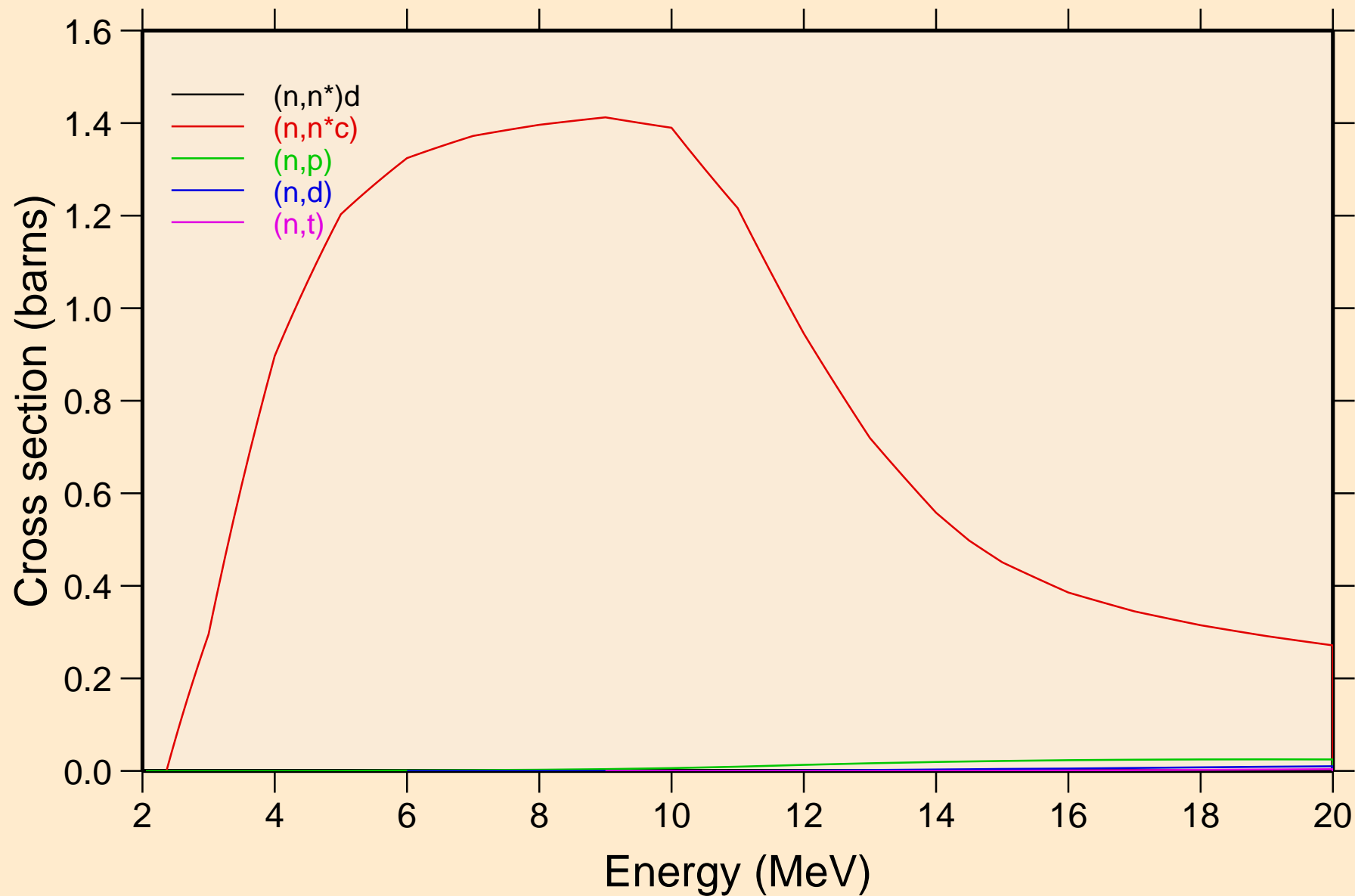


# 31-GA-71 FOR FENDL-3.1 FROM FENDL-3.1 WITH NJOY2012.50+ Threshold reactions



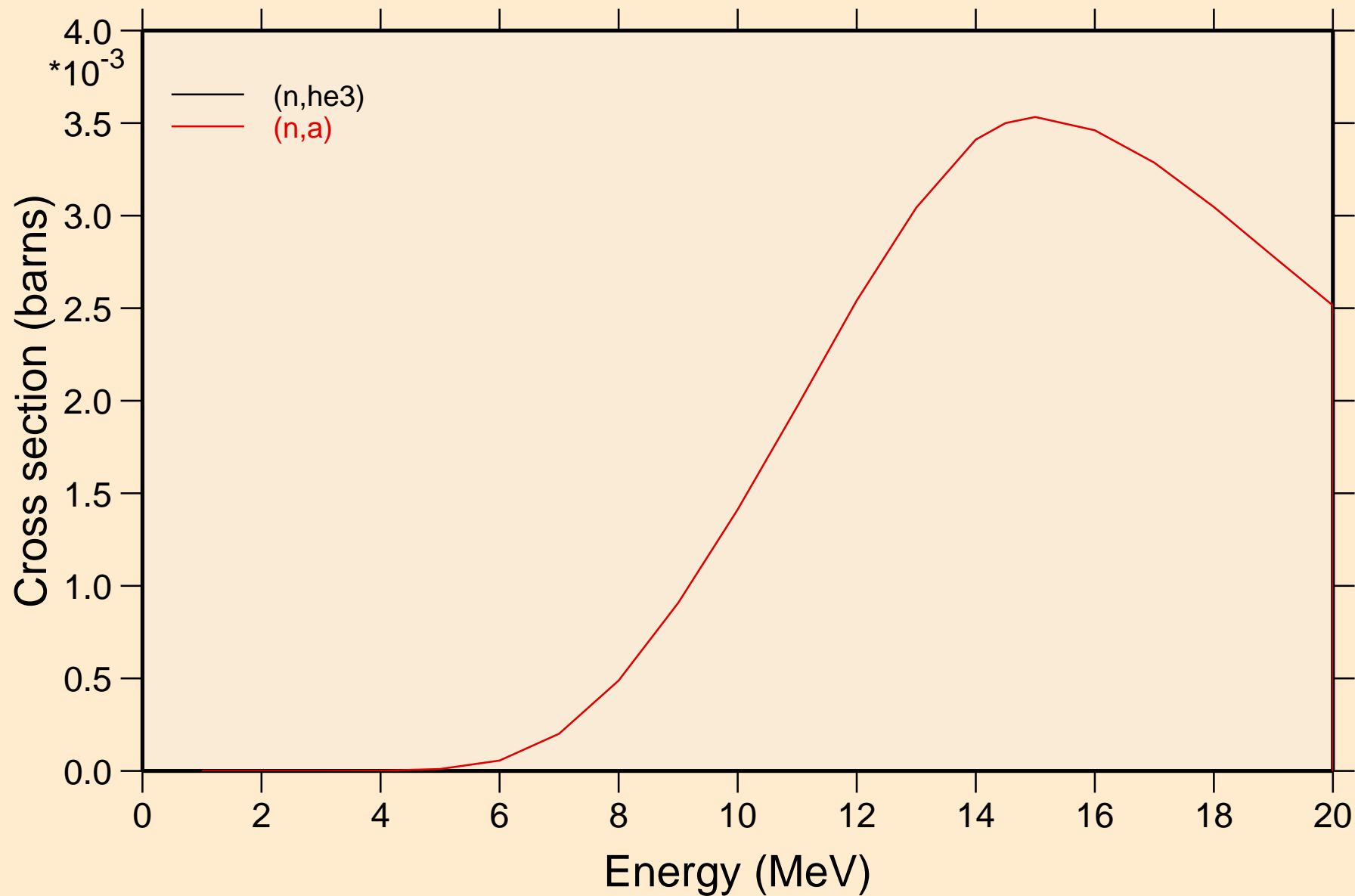
# 31-GA-71 FOR FENDL-3.1 FROM FENDL-3.1 WITH NJOY2012.50+

## Threshold reactions



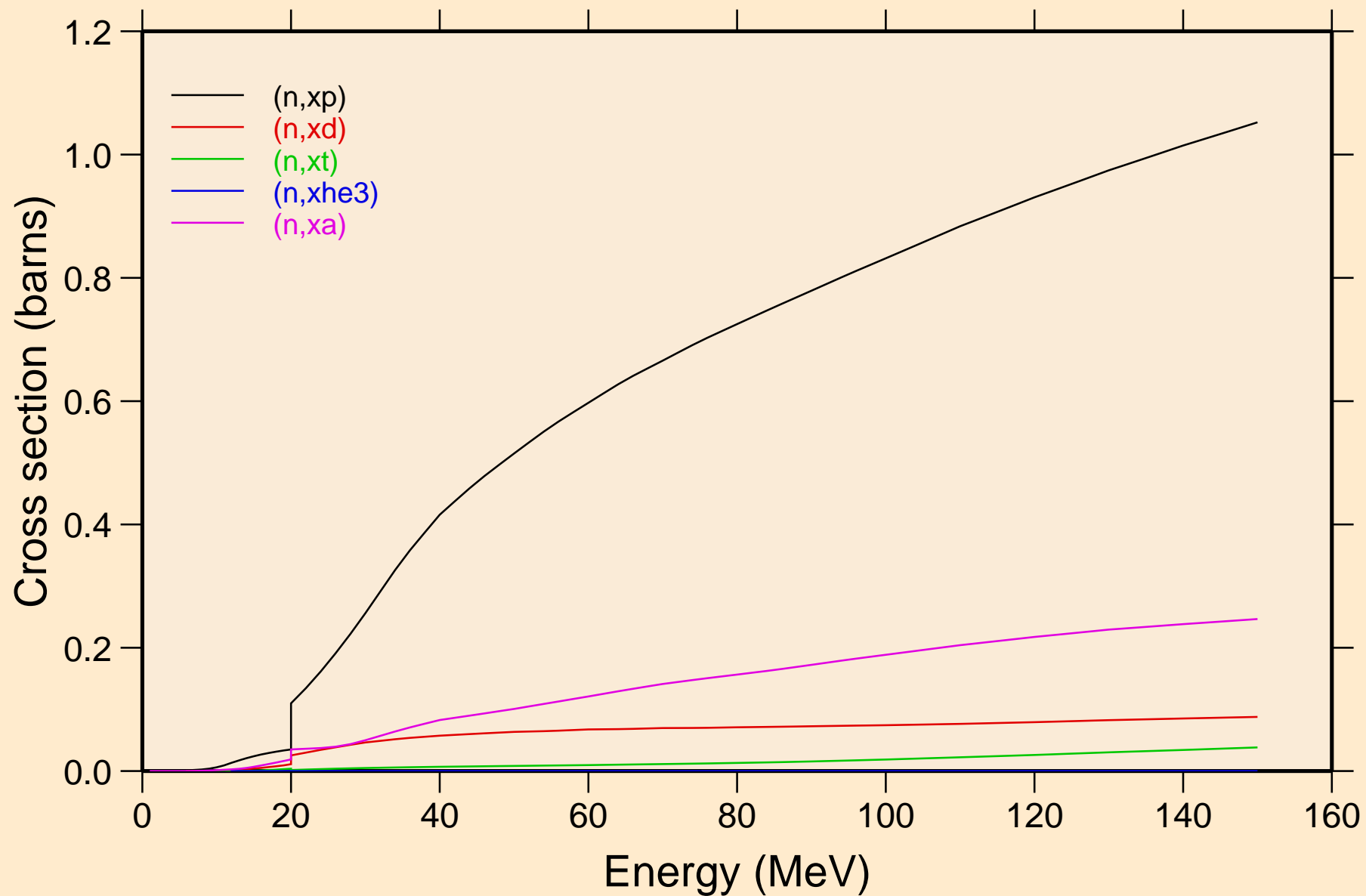
# 31-GA-71 FOR FENDL-3.1 FROM FENDL-3.1 WITH NJOY2012.50+

## Threshold reactions

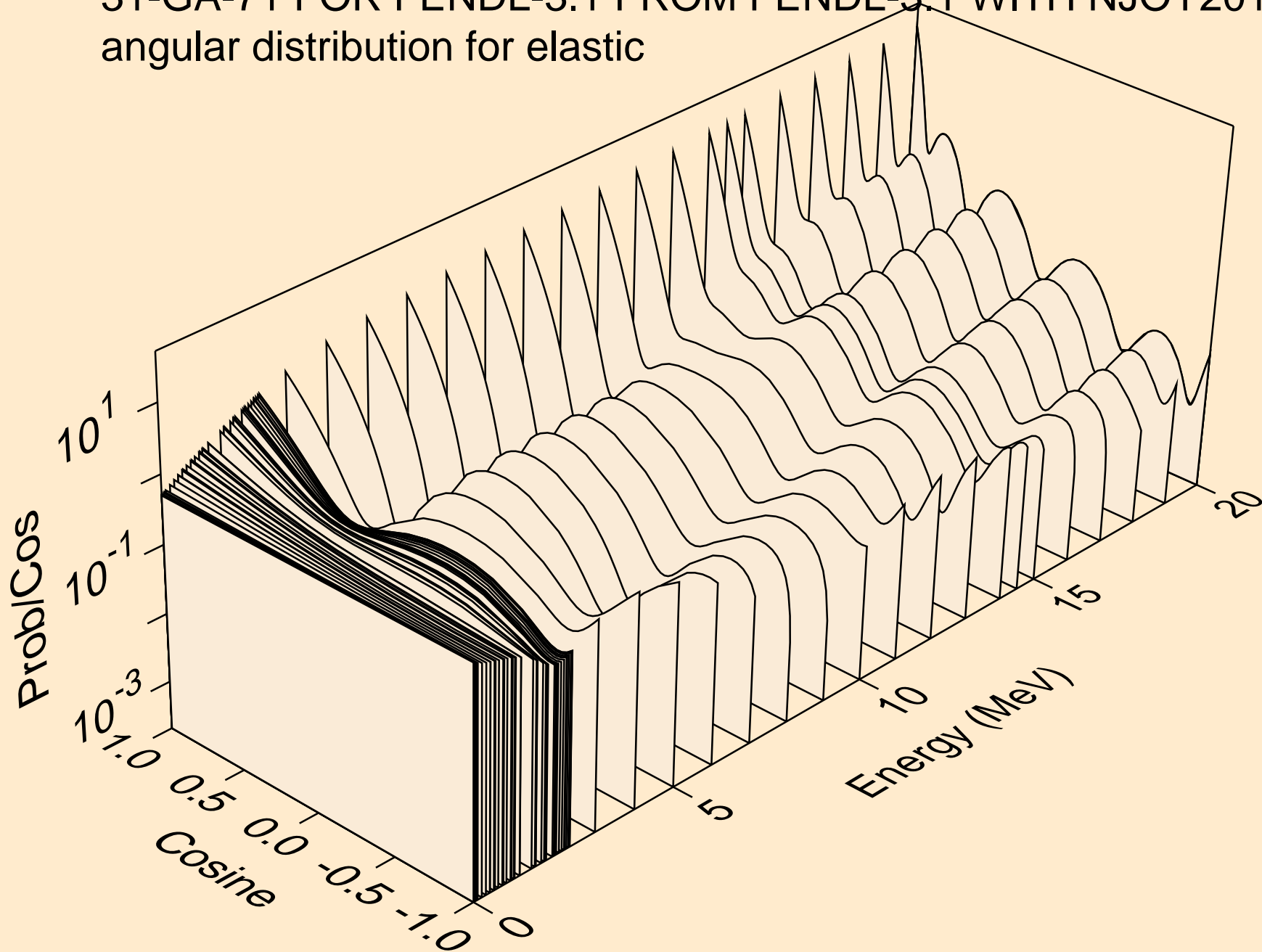


# 31-GA-71 FOR FENDL-3.1 FROM FENDL-3.1 WITH NJOY2012.50+

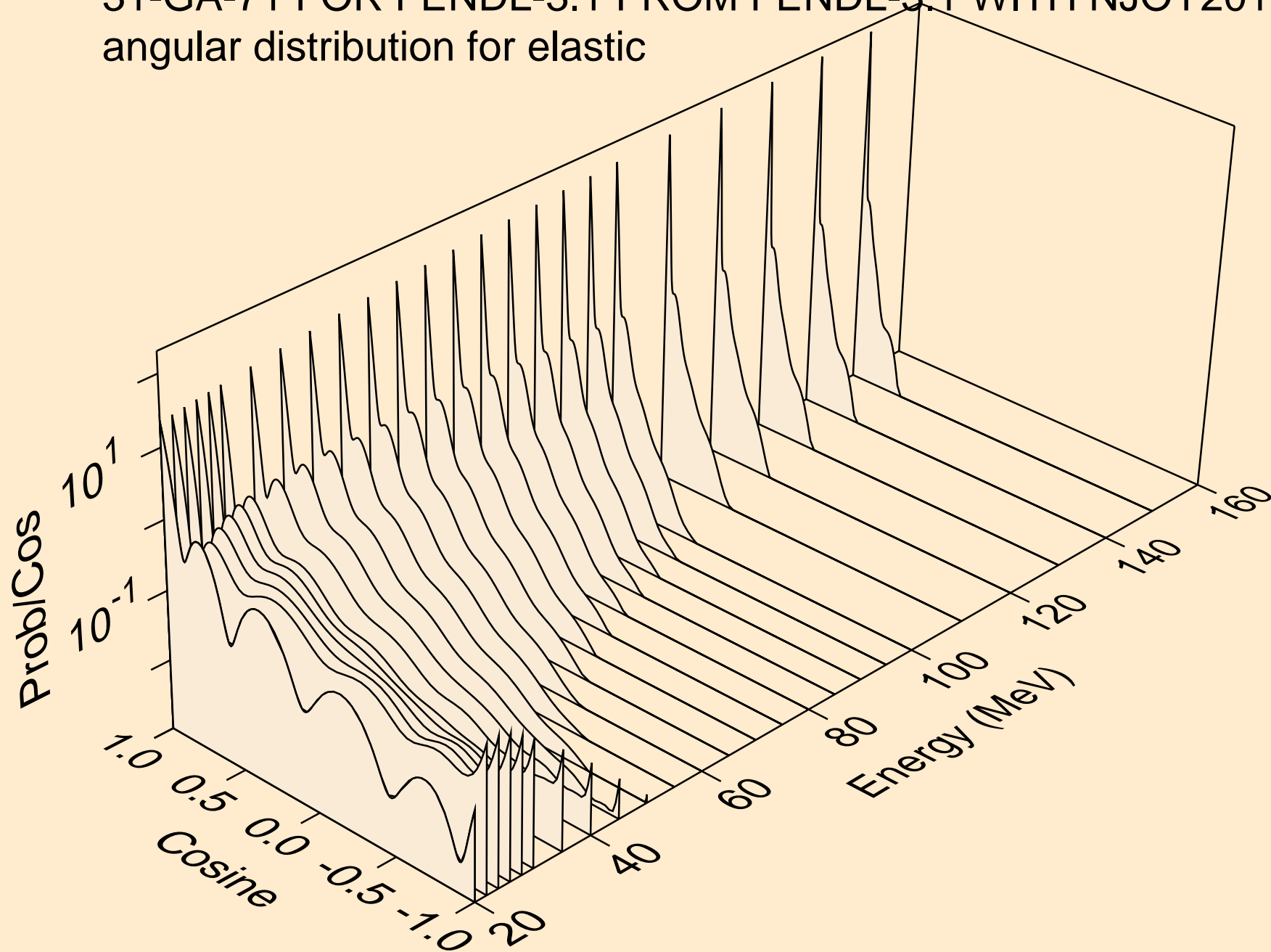
## Threshold reactions



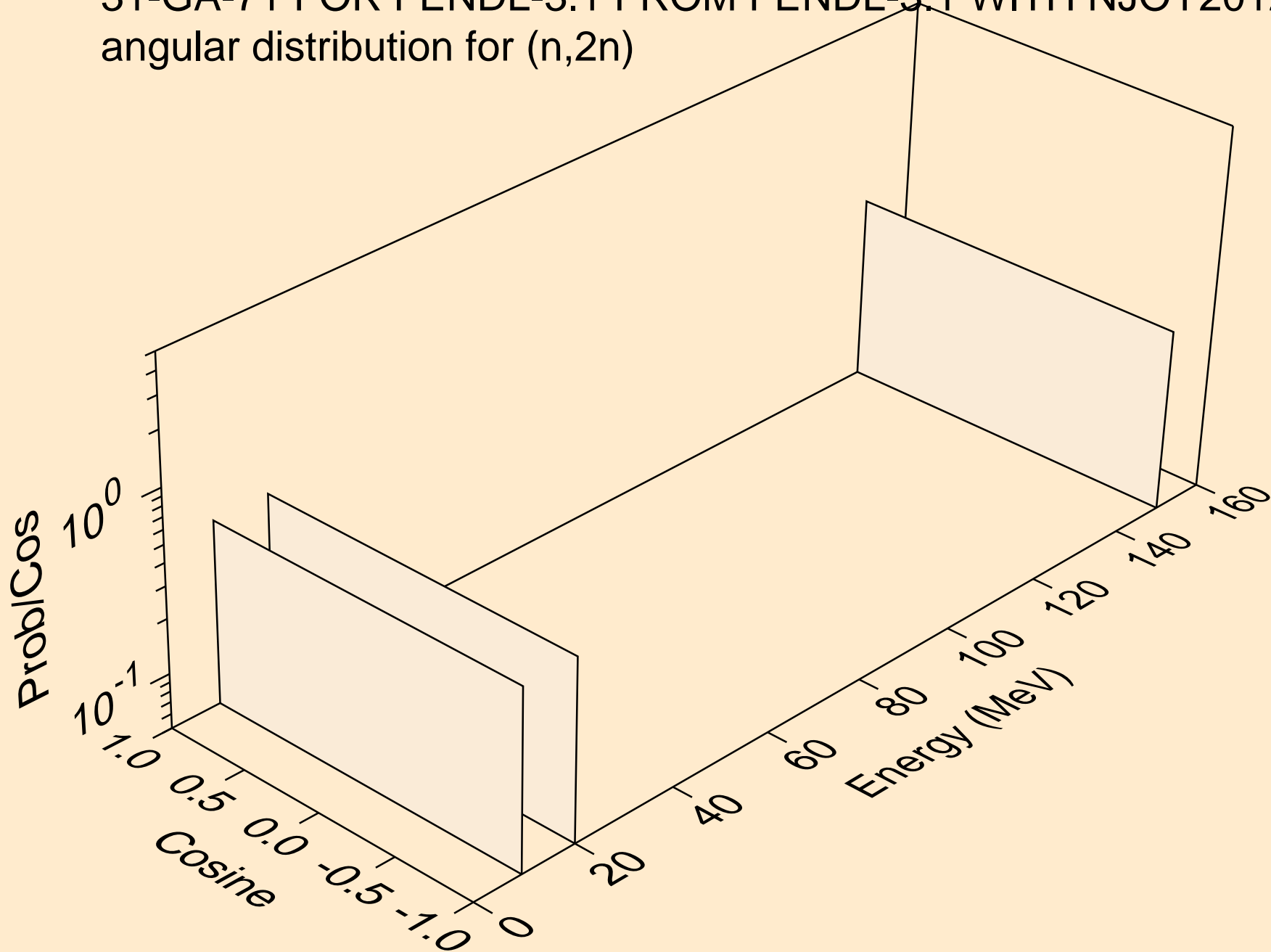
31-GA-71 FOR FENDL-3.1 FROM FENDL-3.1 WITH NJOY2012.50+  
angular distribution for elastic



31-GA-71 FOR FENDL-3.1 FROM FENDL-3.1 WITH NJOY2012.50+  
angular distribution for elastic

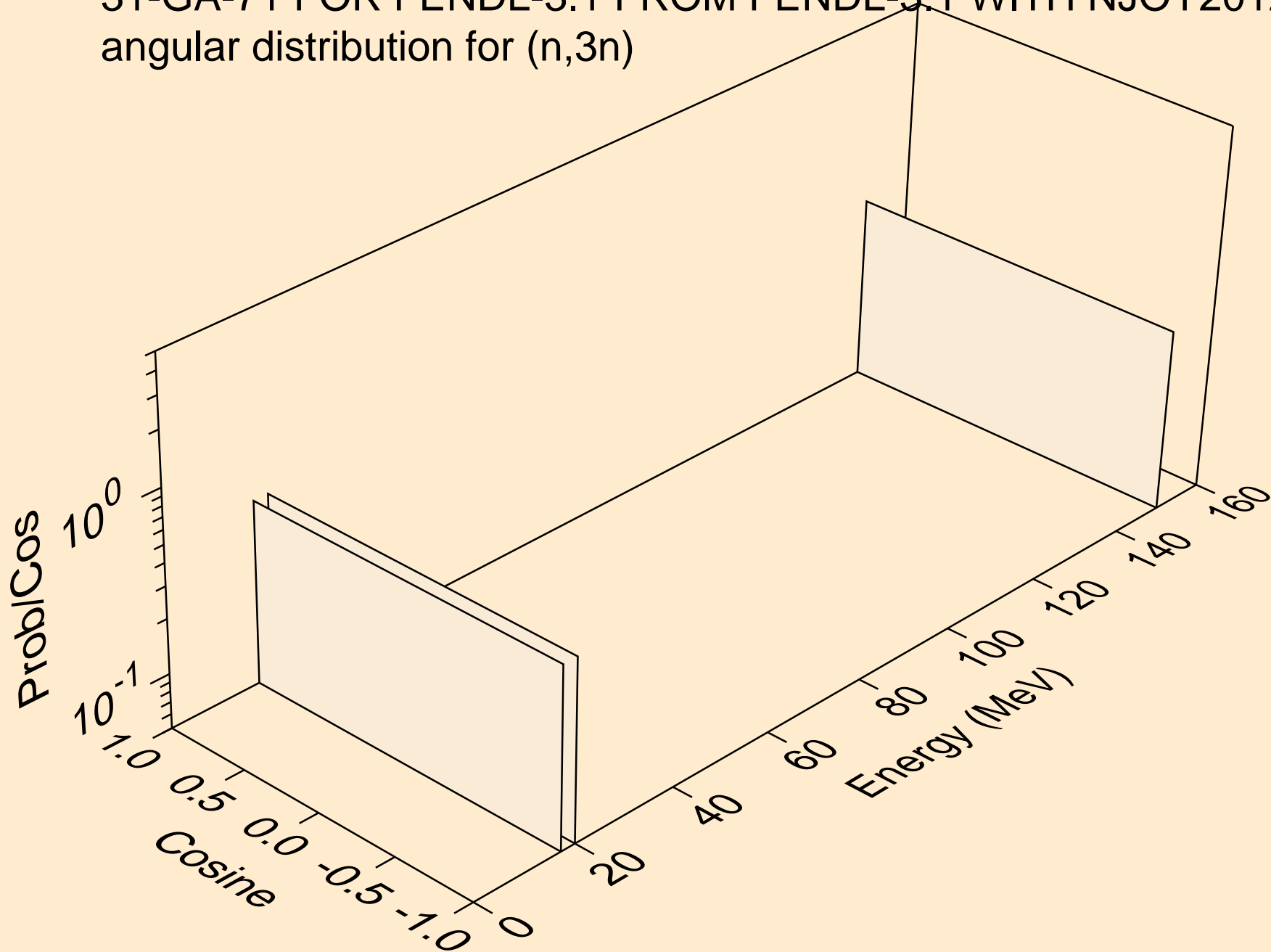


31-GA-71 FOR FENDL-3.1 FROM FENDL-3.1 WITH NJOY2012.50+  
angular distribution for (n,2n)

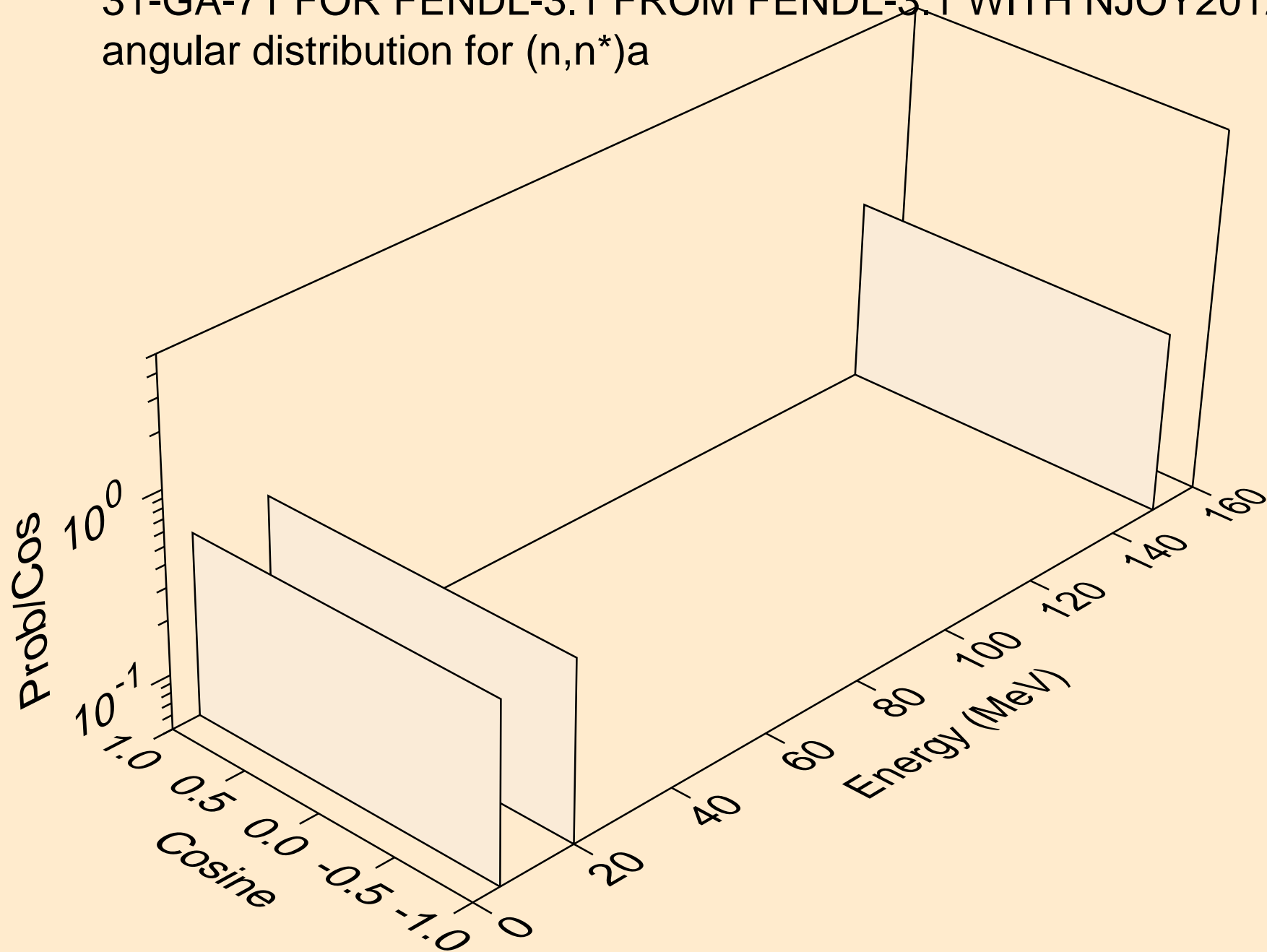




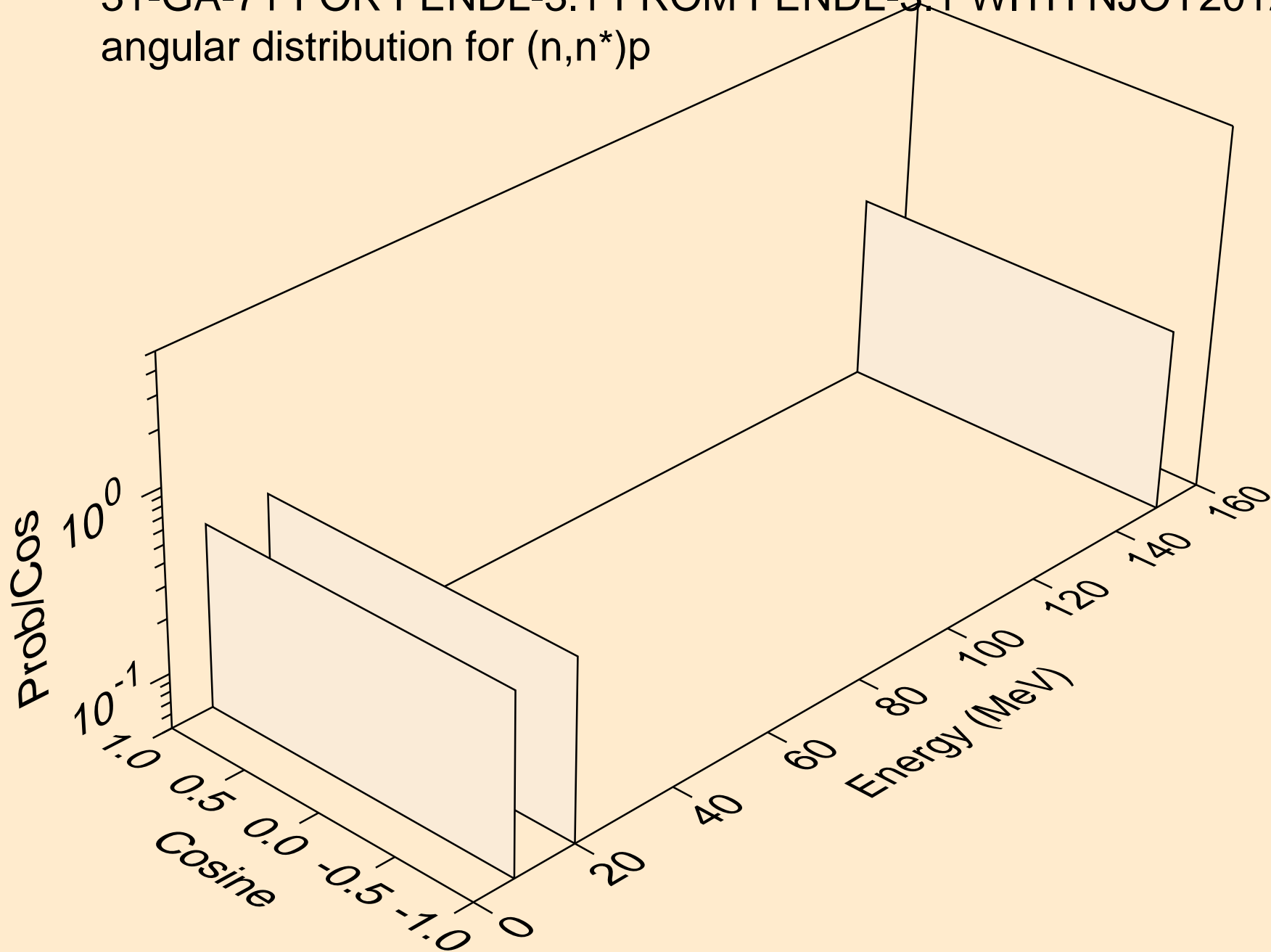
31-GA-71 FOR FENDL-3.1 FROM FENDL-3.1 WITH NJOY2012.50+  
angular distribution for (n,3n)



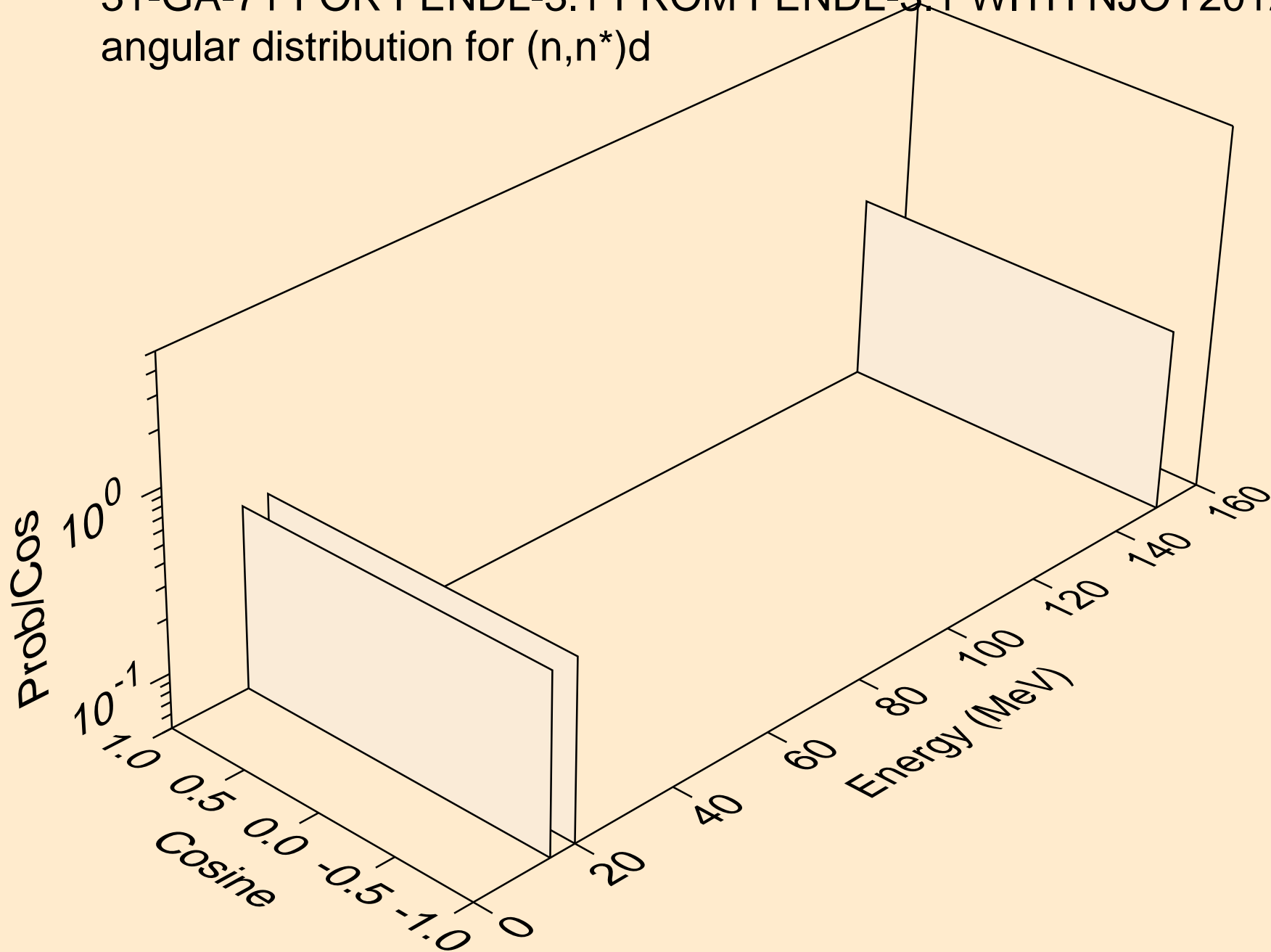
31-GA-71 FOR FENDL-3.1 FROM FENDL-3.1 WITH NJOY2012.50+  
angular distribution for (n,n\*)a



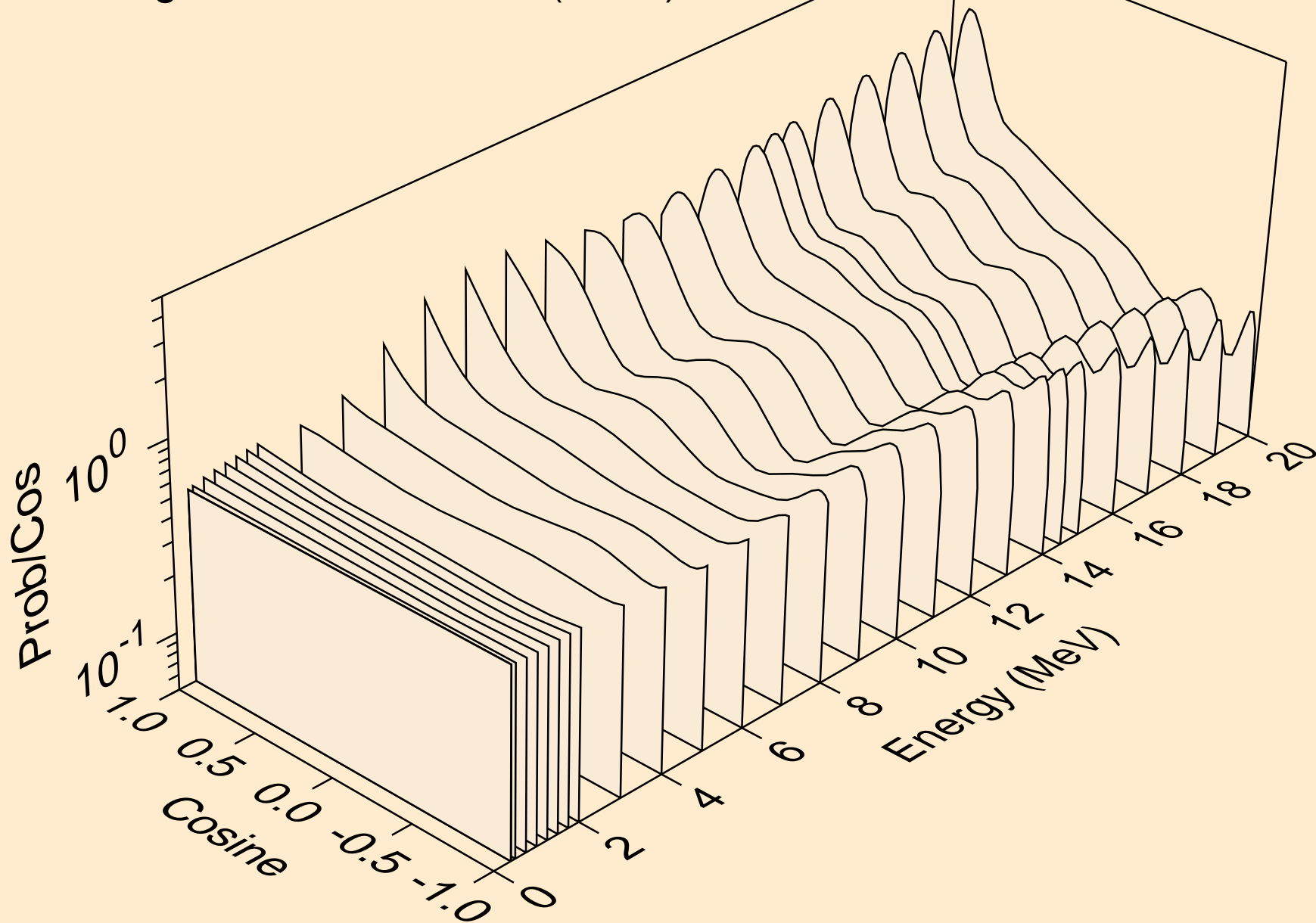
31-GA-71 FOR FENDL-3.1 FROM FENDL-3.1 WITH NJOY2012.50+  
angular distribution for (n,n\*)p



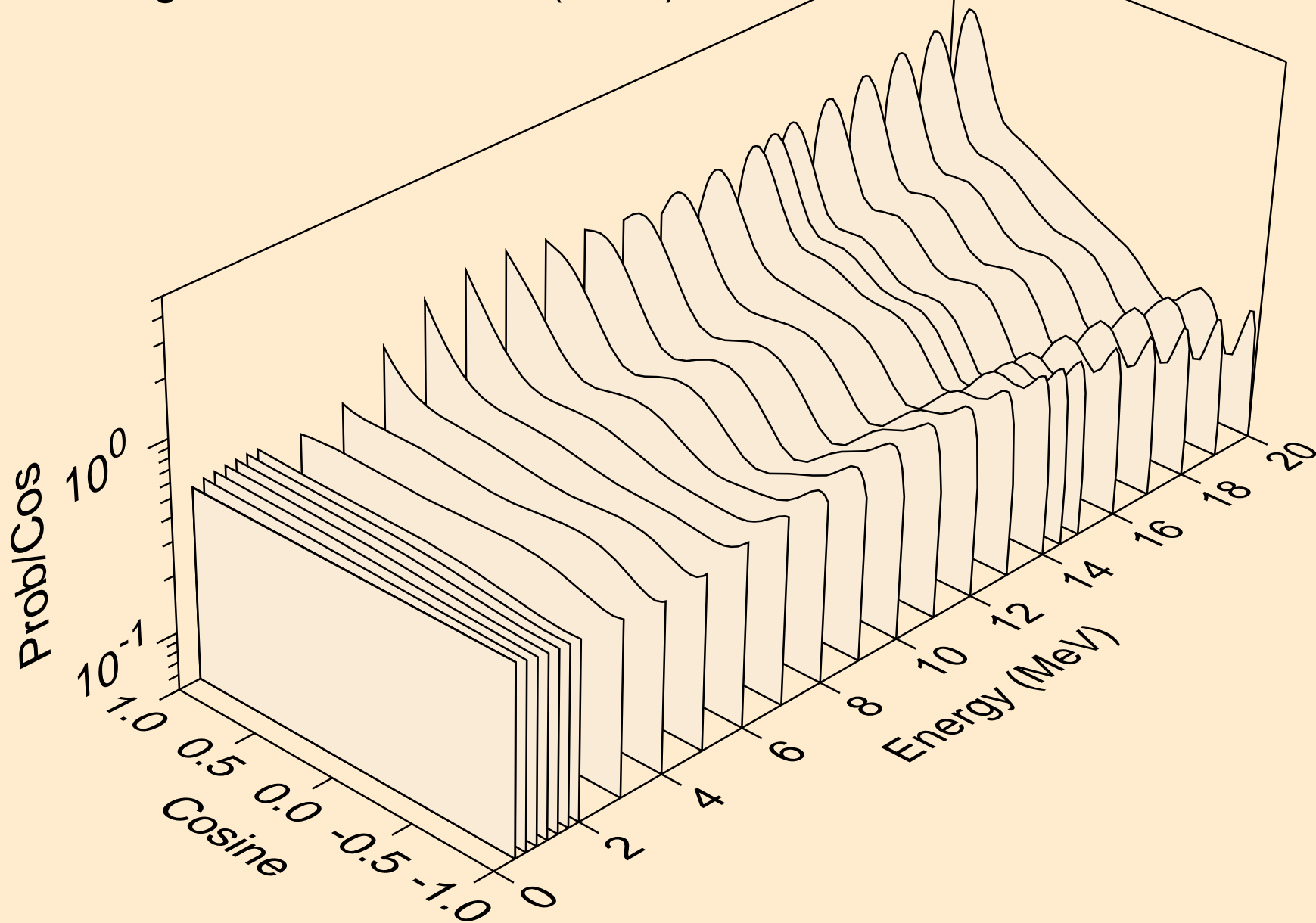
31-GA-71 FOR FENDL-3.1 FROM FENDL-3.1 WITH NJOY2012.50+  
angular distribution for (n,n\*)d



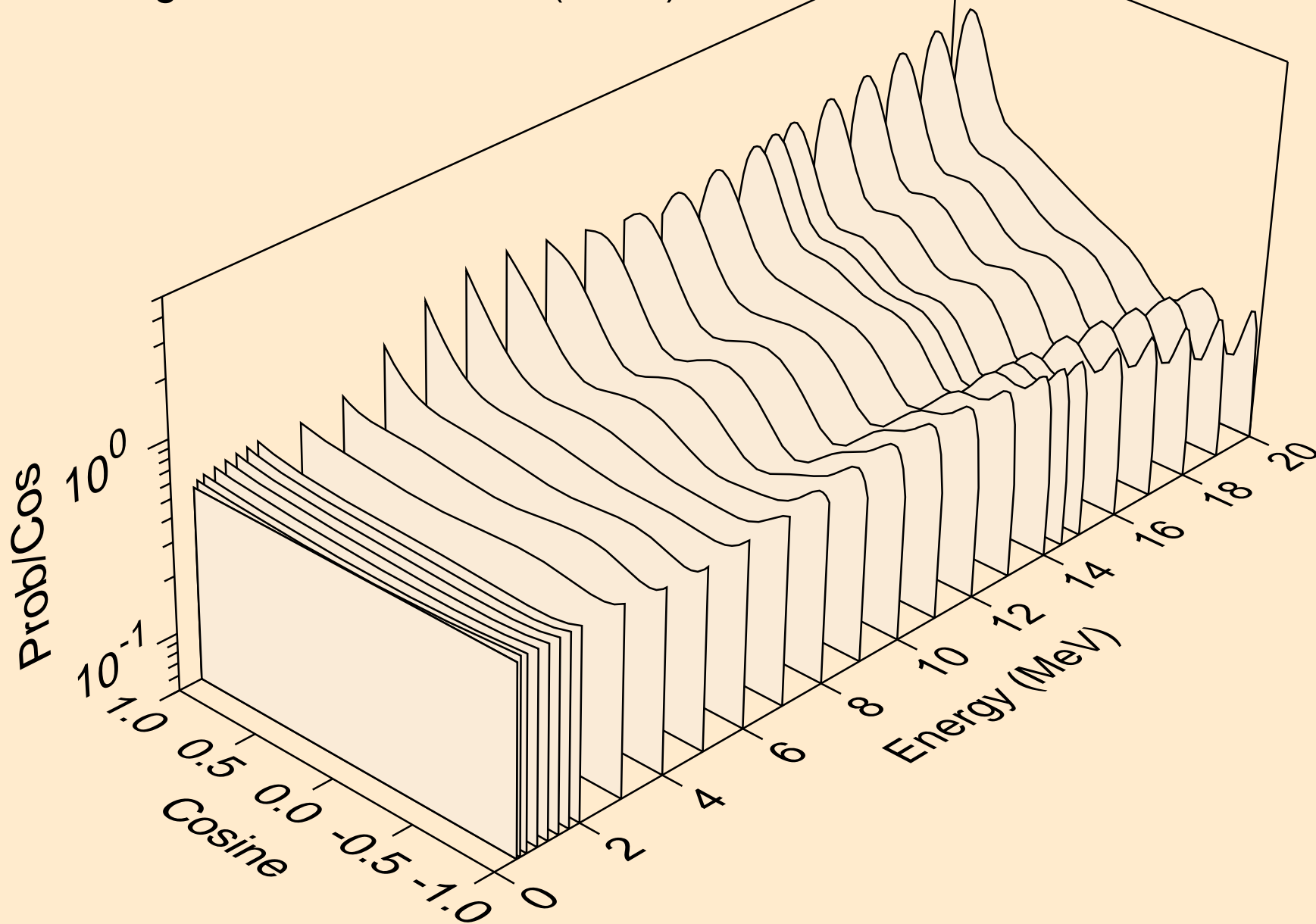
31-GA-71 FOR FENDL-3.1 FROM FENDL-3.1 WITH NJOY2012.50+  
angular distribution for (n,n\*1)



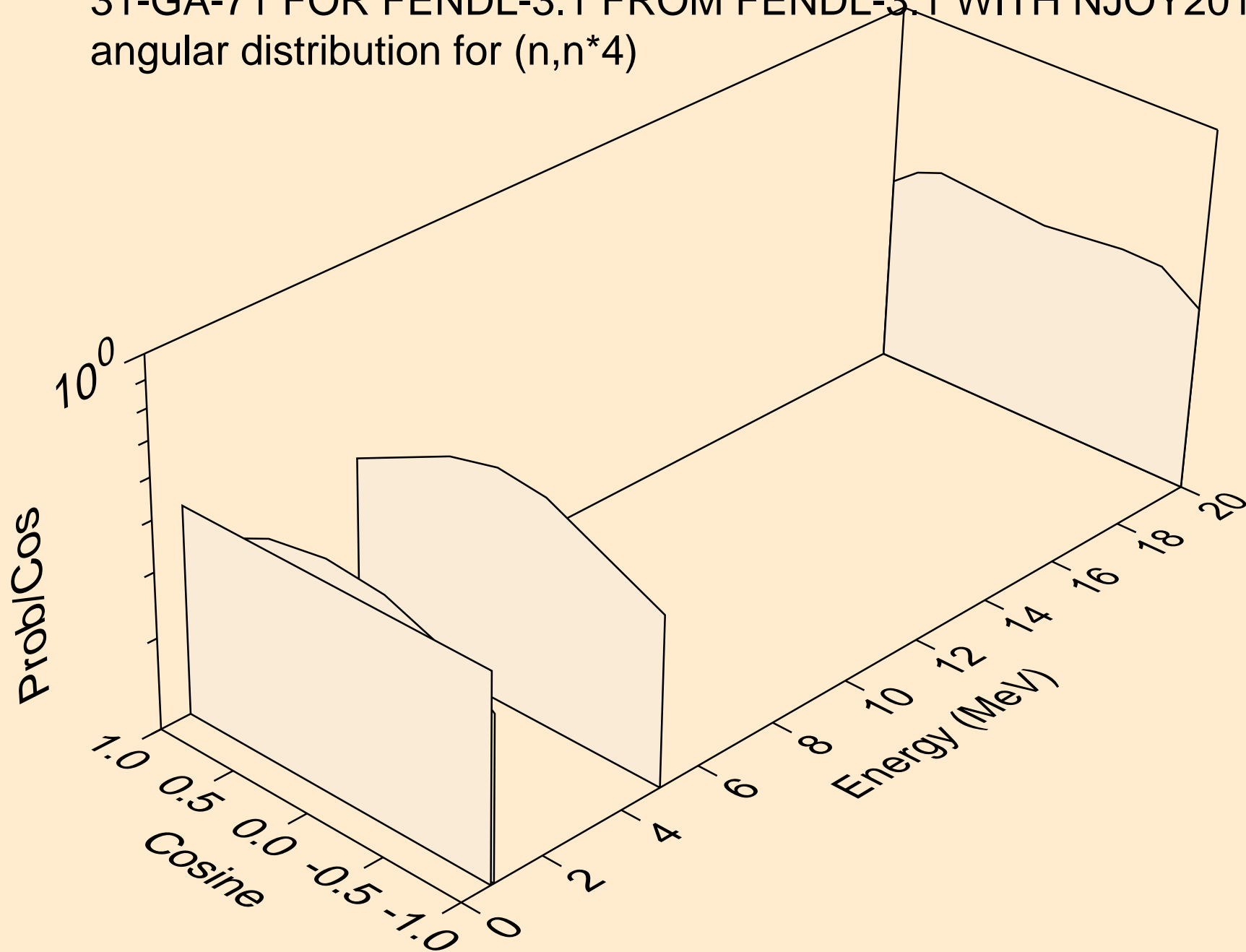
31-GA-71 FOR FENDL-3.1 FROM FENDL-3.1 WITH NJOY2012.50+  
angular distribution for (n,n\*2)



31-GA-71 FOR FENDL-3.1 FROM FENDL-3.1 WITH NJOY2012.50+  
angular distribution for (n,n\*3)

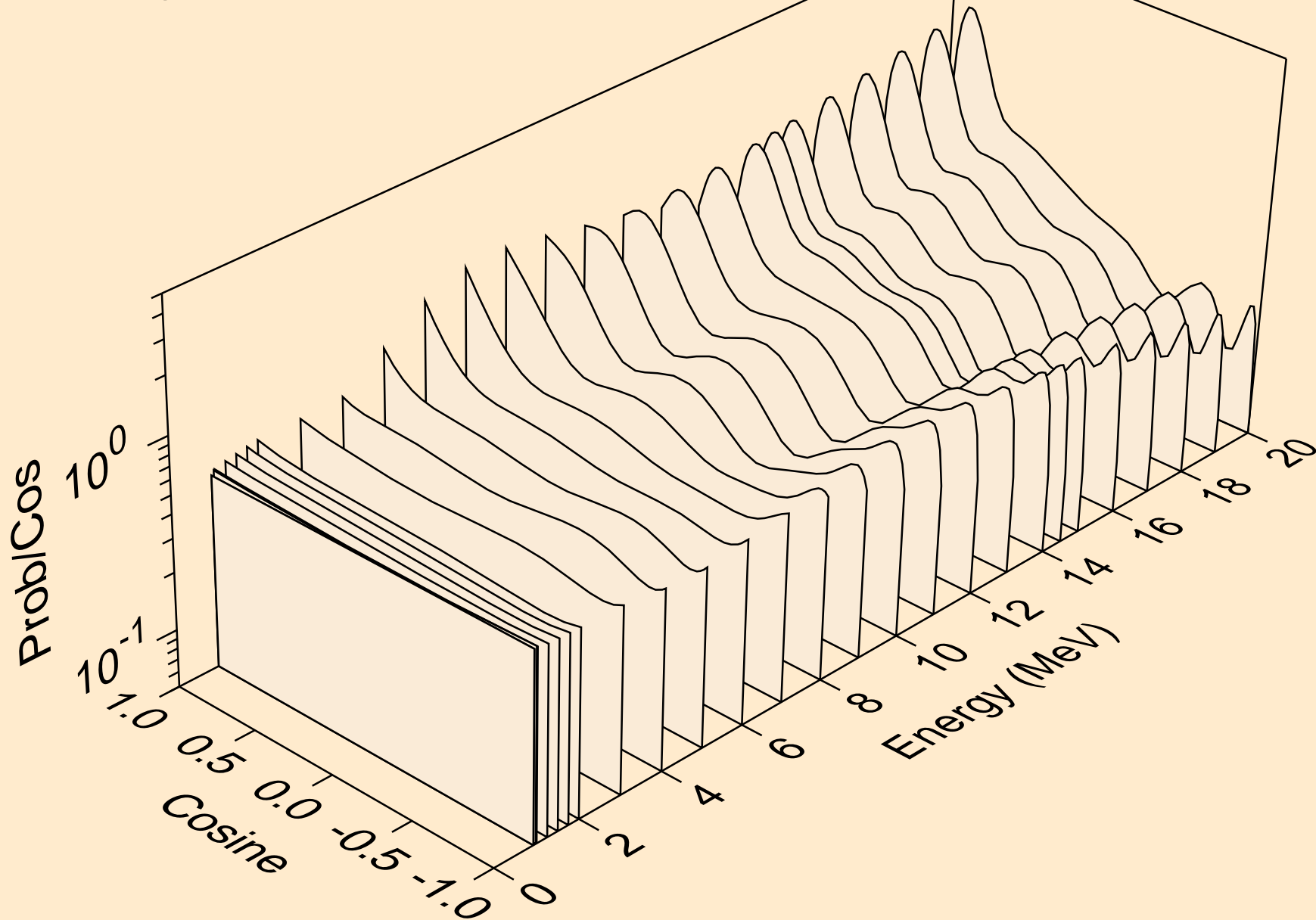


31-GA-71 FOR FENDL-3.1 FROM FENDL-3.1 WITH NJOY2012.50+  
angular distribution for (n,n\*4)

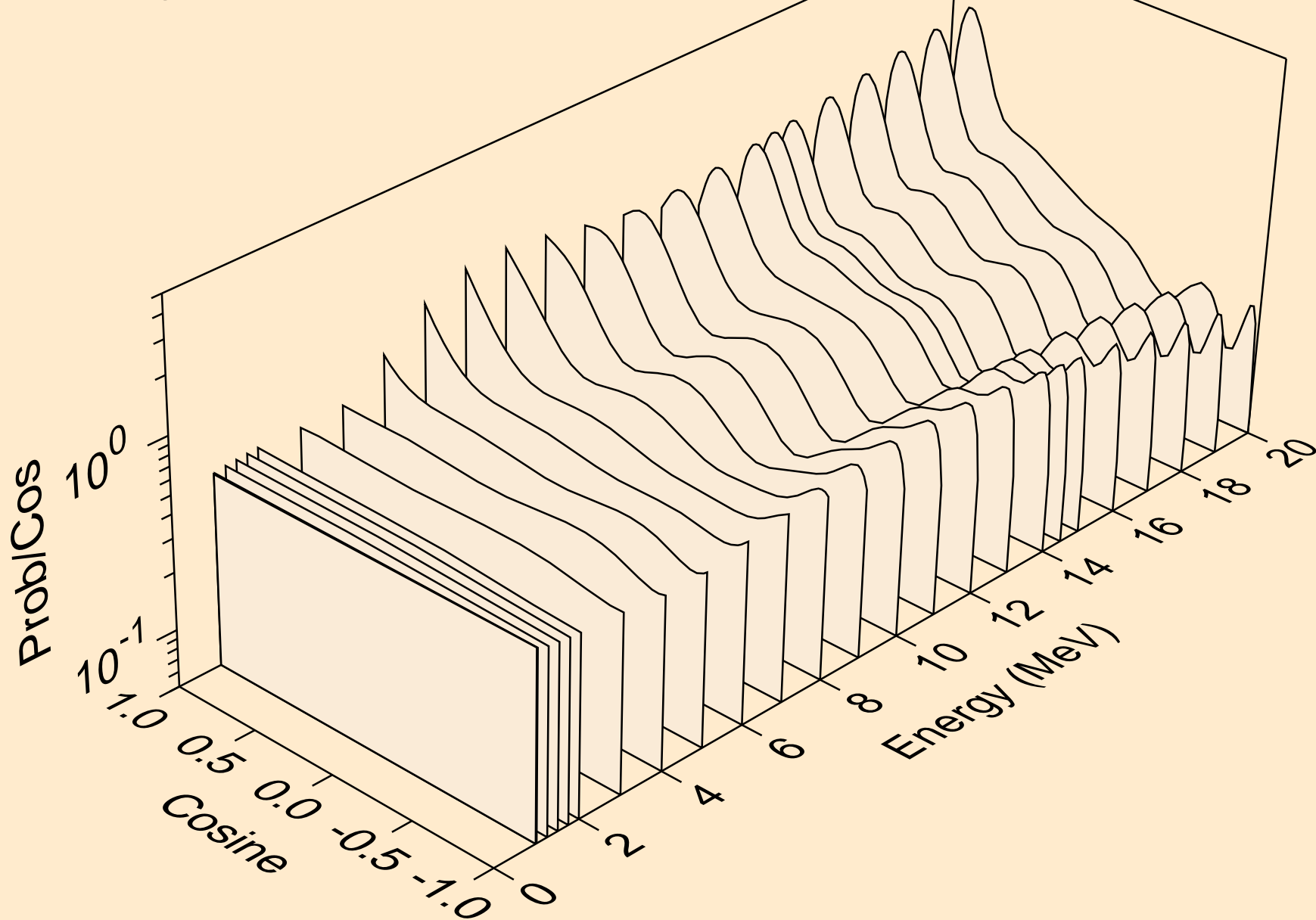




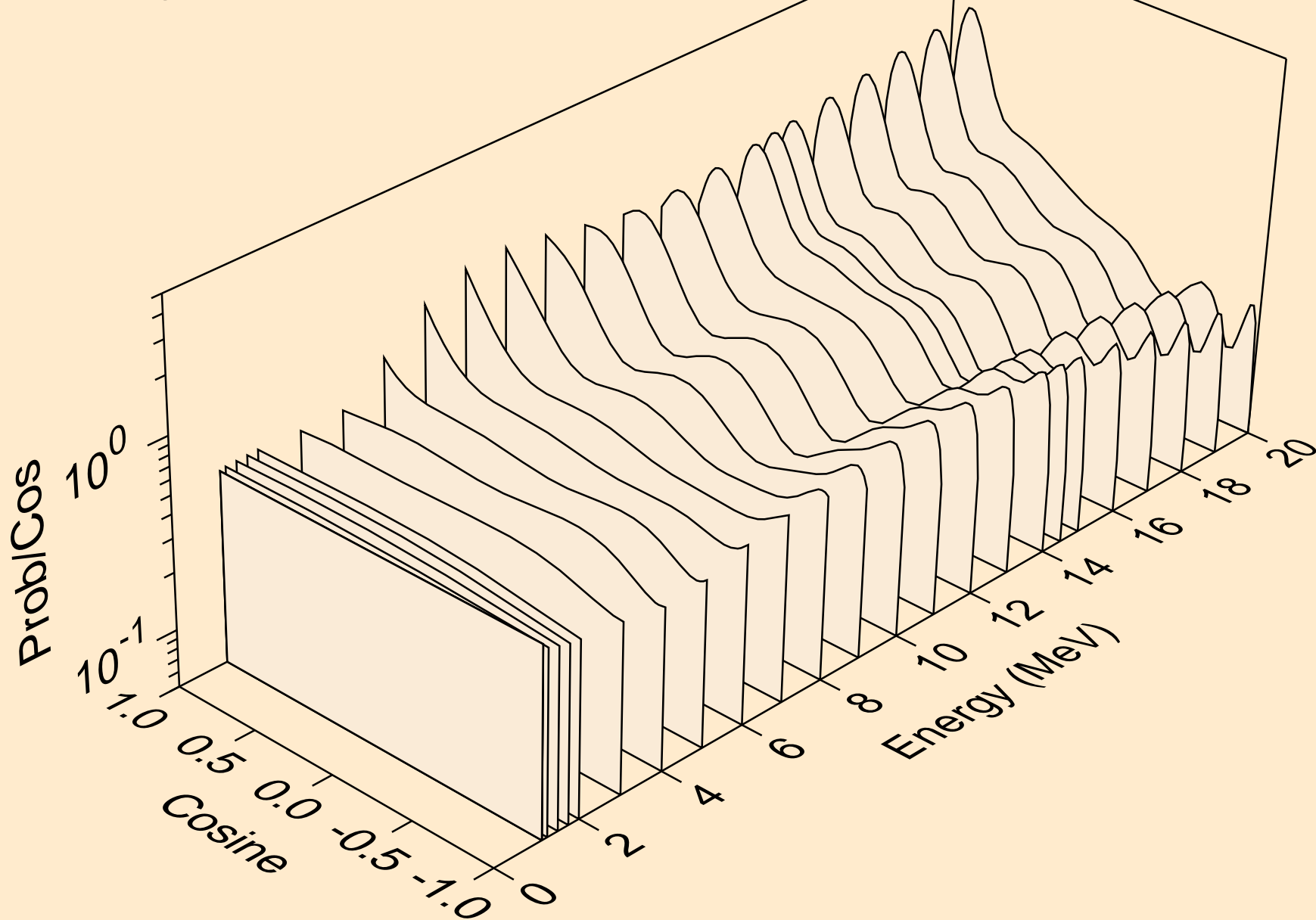
31-GA-71 FOR FENDL-3.1 FROM FENDL-3.1 WITH NJOY2012.50+  
angular distribution for (n,n\*5)



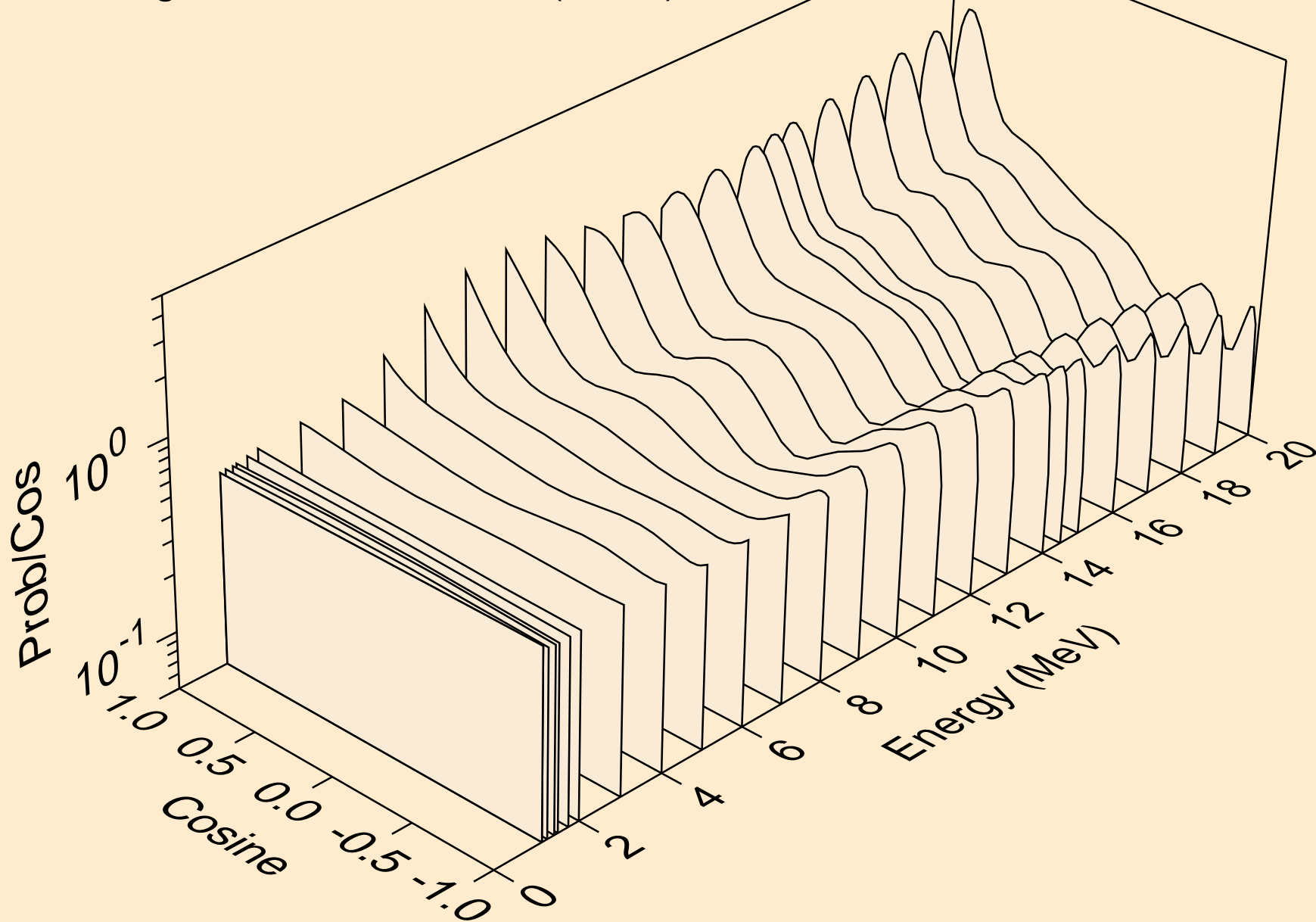
31-GA-71 FOR FENDL-3.1 FROM FENDL-3.1 WITH NJOY2012.50+  
angular distribution for (n,n\*6)



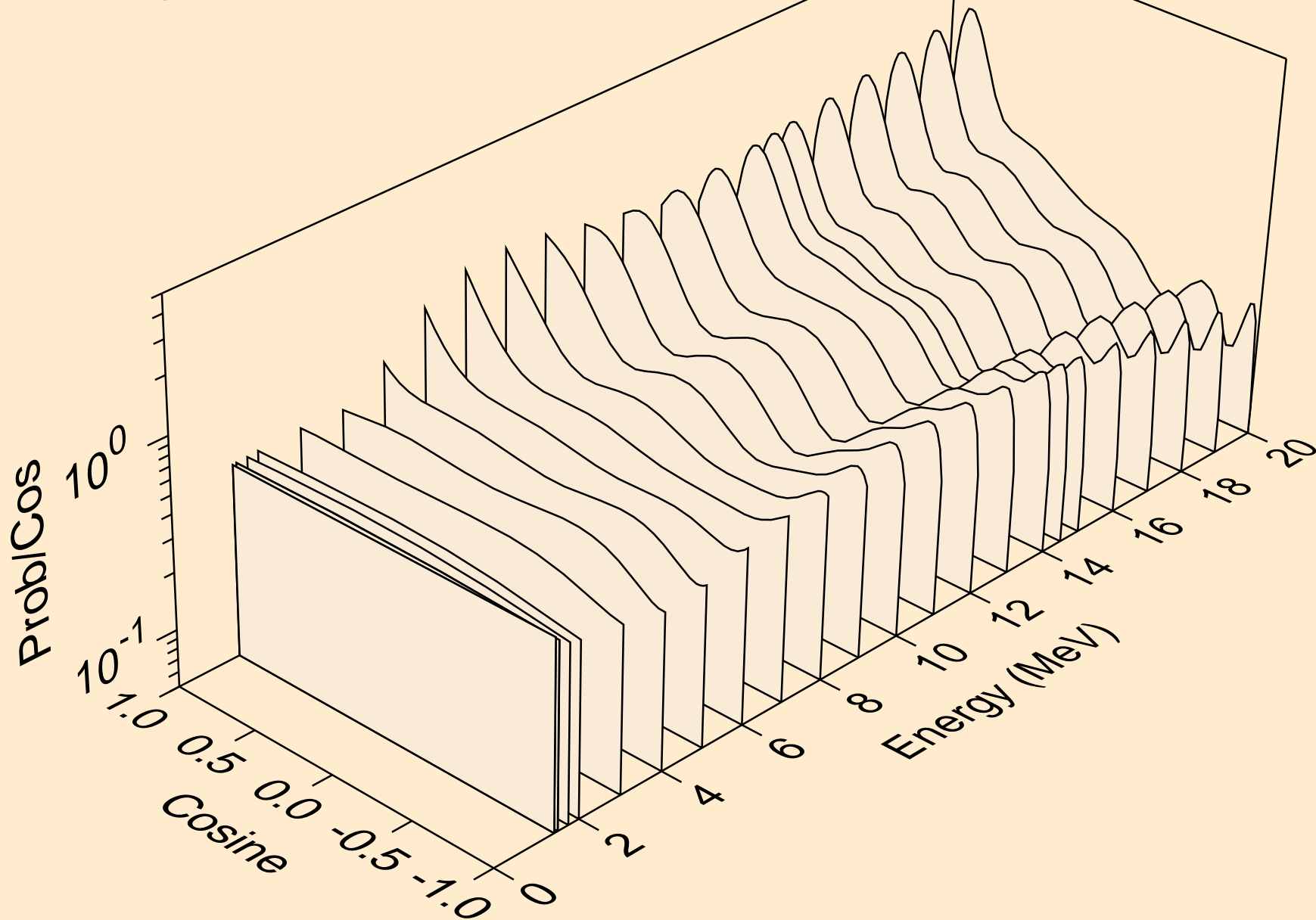
31-GA-71 FOR FENDL-3.1 FROM FENDL-3.1 WITH NJOY2012.50+  
angular distribution for (n,n\*7)



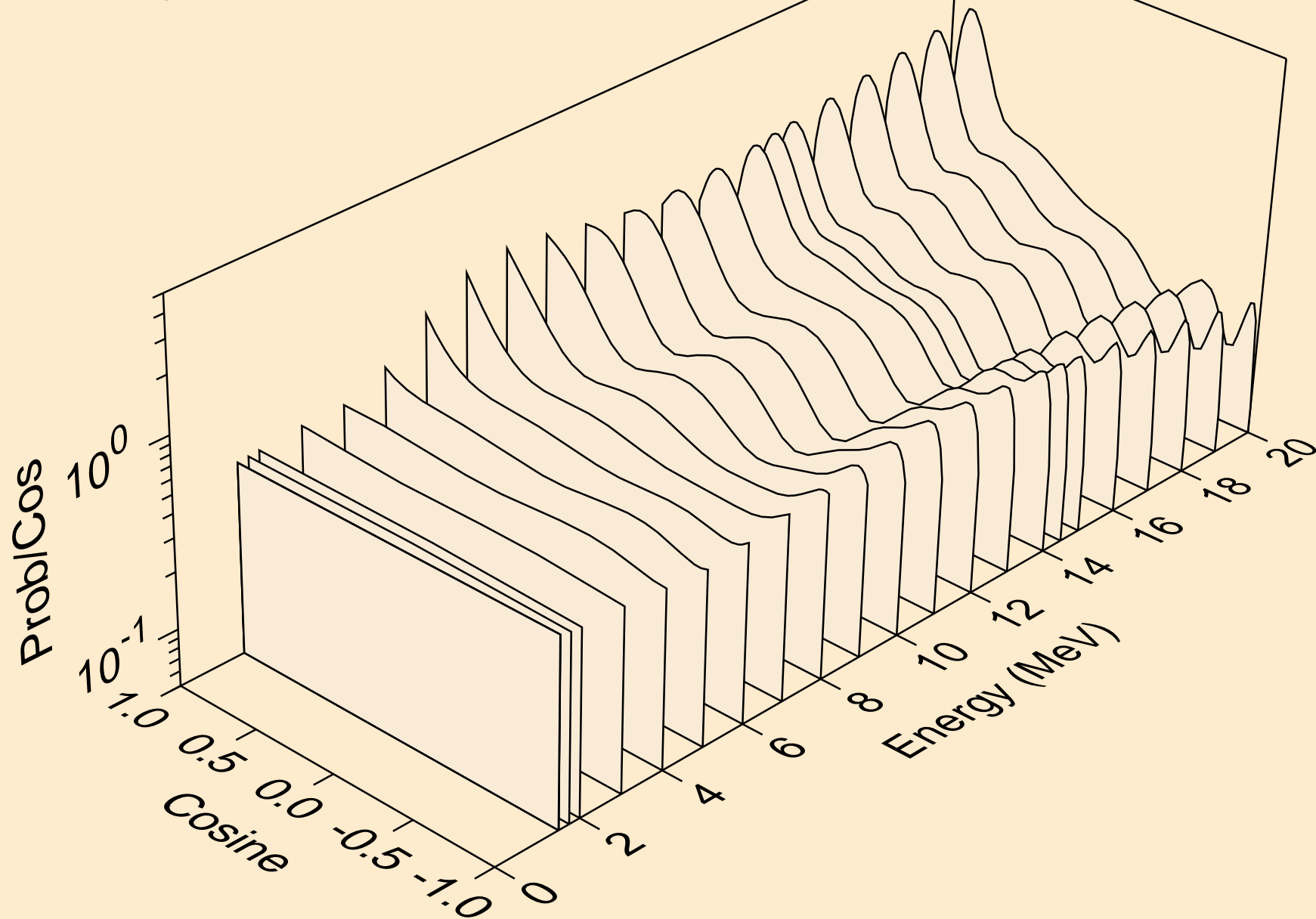
31-GA-71 FOR FENDL-3.1 FROM FENDL-3.1 WITH NJOY2012.50+  
angular distribution for (n,n\*8)



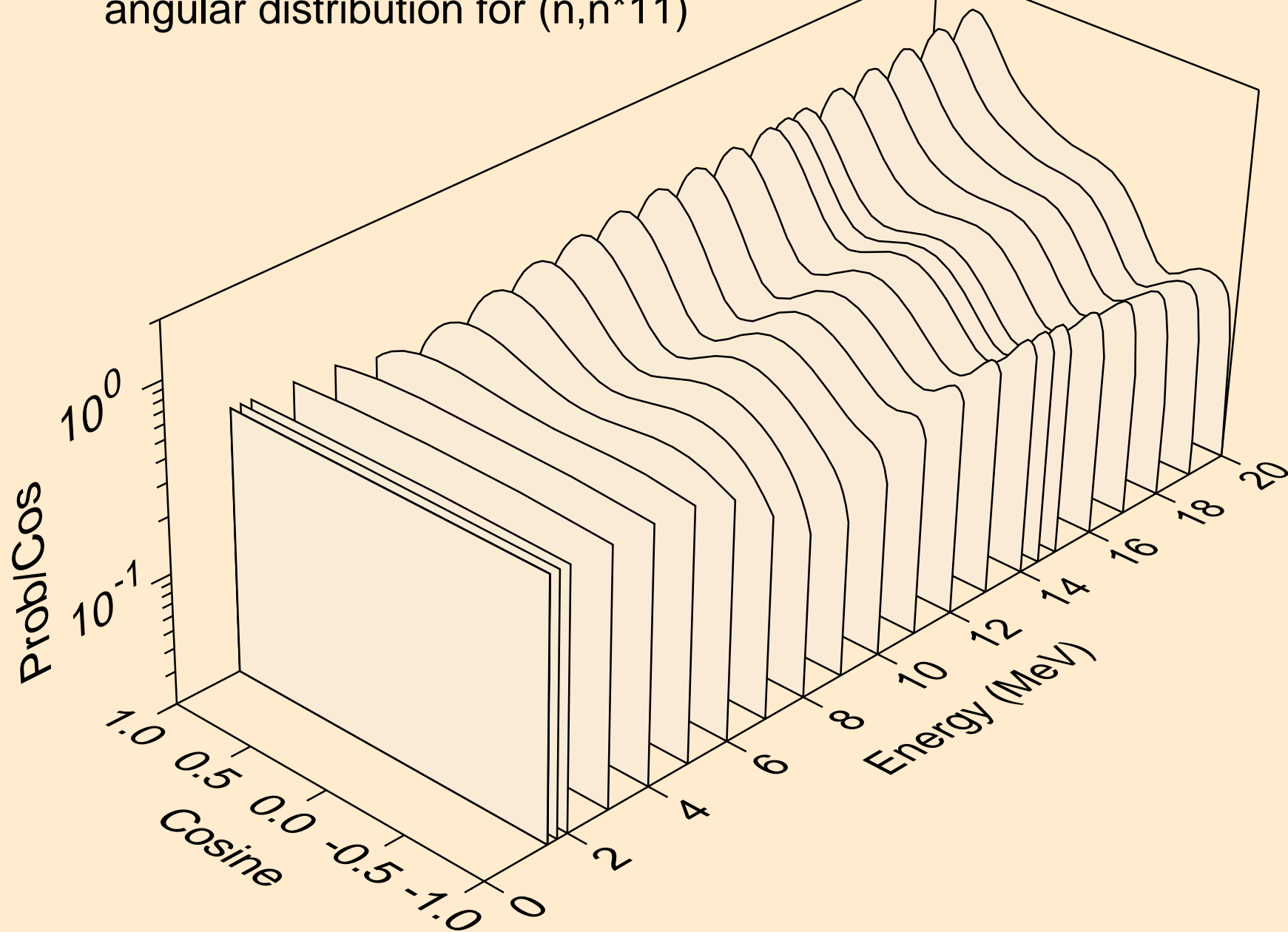
31-GA-71 FOR FENDL-3.1 FROM FENDL-3.1 WITH NJOY2012.50+  
angular distribution for (n,n\*9)



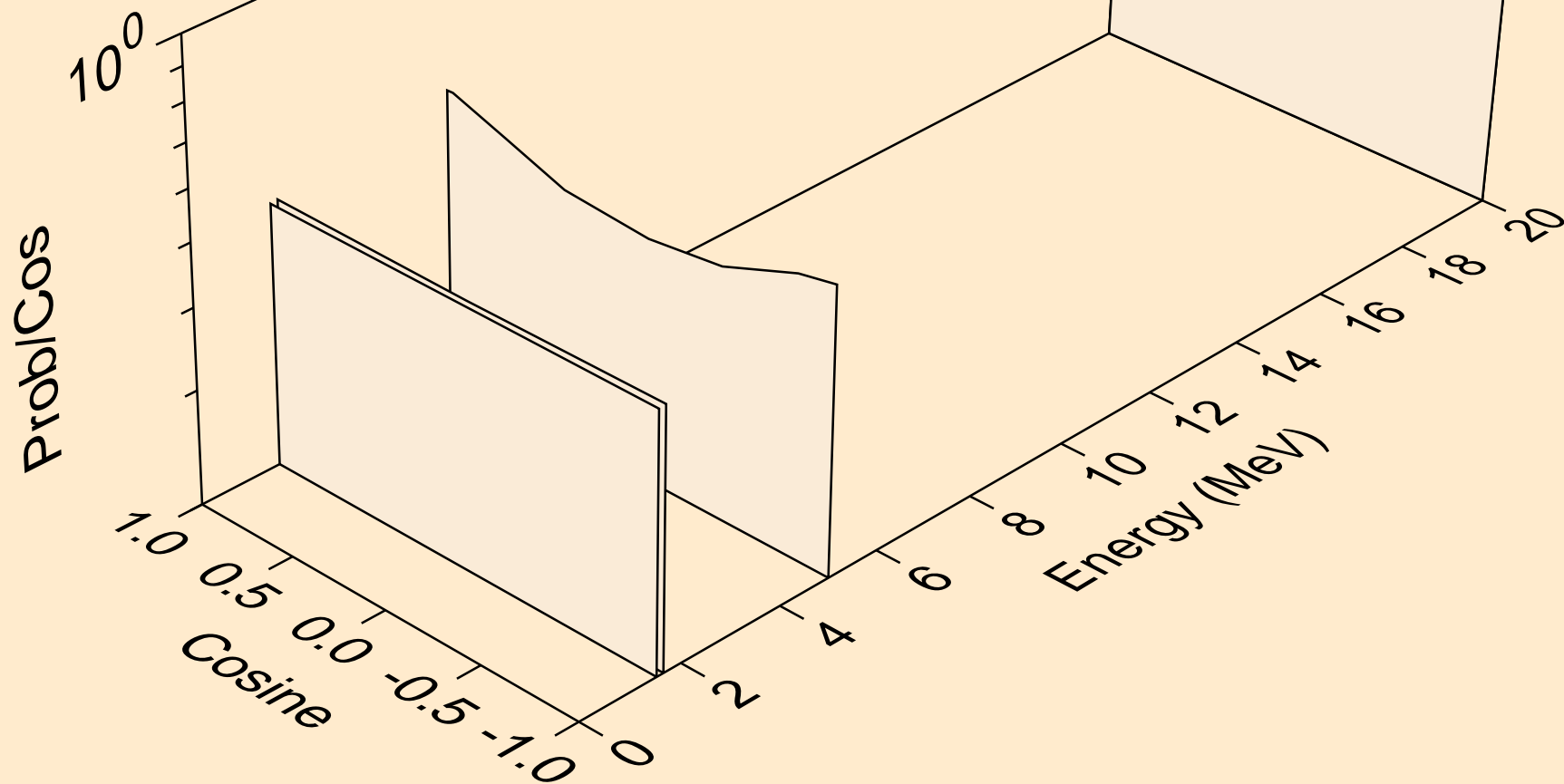
31-GA-71 FOR FENDL-3.1 FROM FENDL-3.1 WITH NJOY2012.50+  
angular distribution for (n,n\*10)



31-GA-71 FOR FENDL-3.1 FROM FENDL-3.1 WITH NJOY2012.50+  
angular distribution for (n,n\*11)

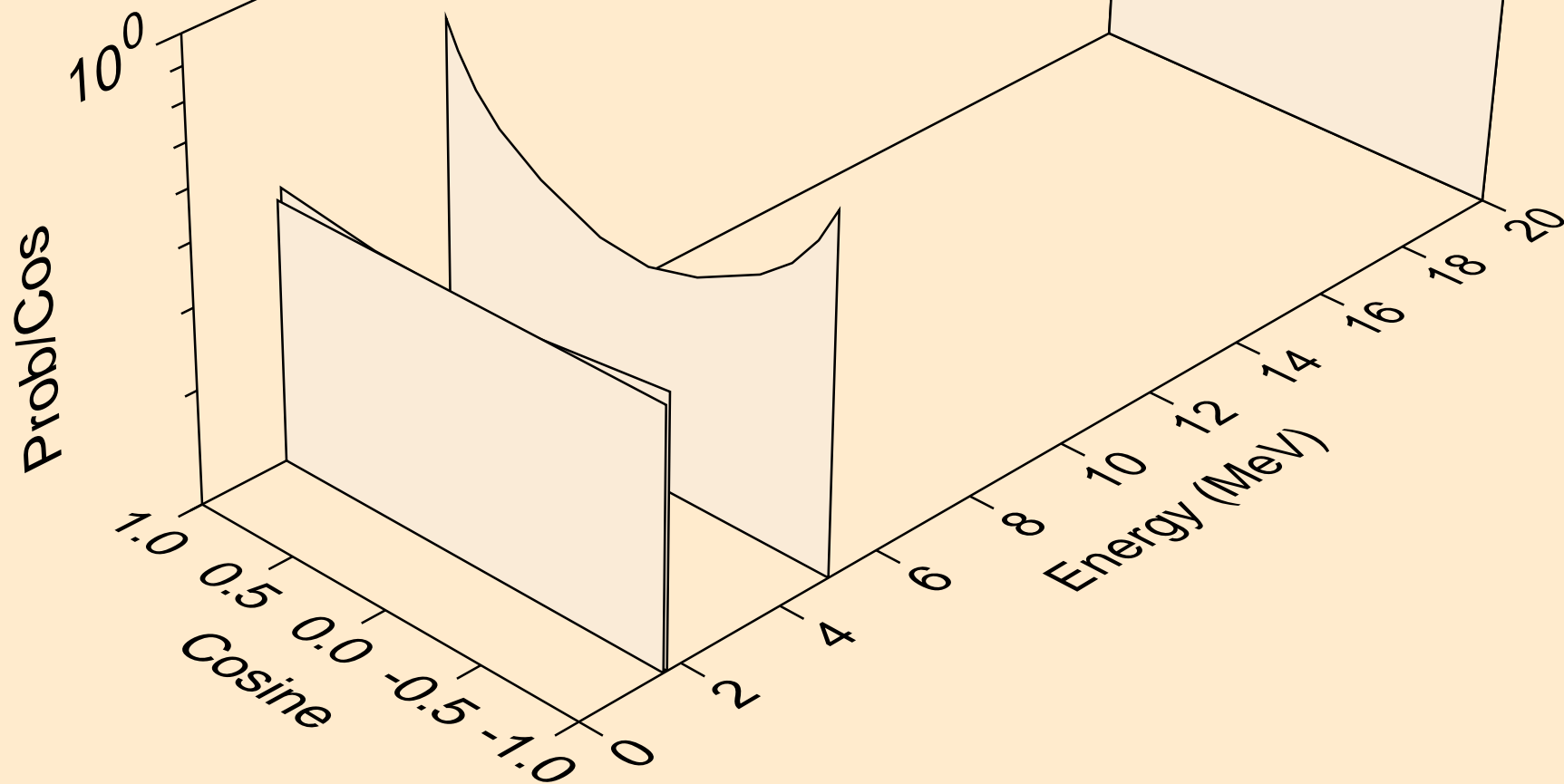


31-GA-71 FOR FENDL-3.1 FROM FENDL-3.1 WITH NJOY2012.50+  
angular distribution for (n,n\*12)

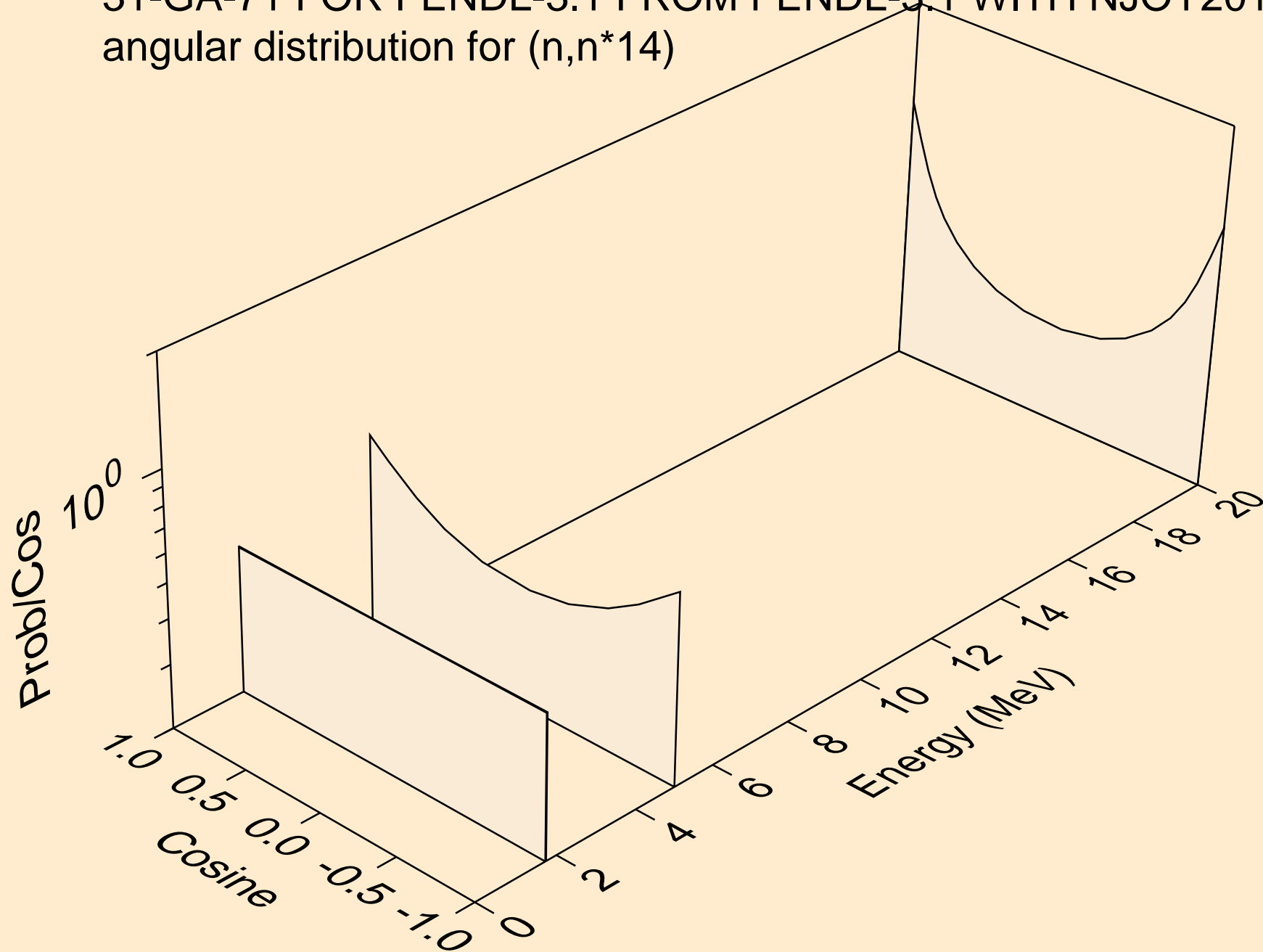




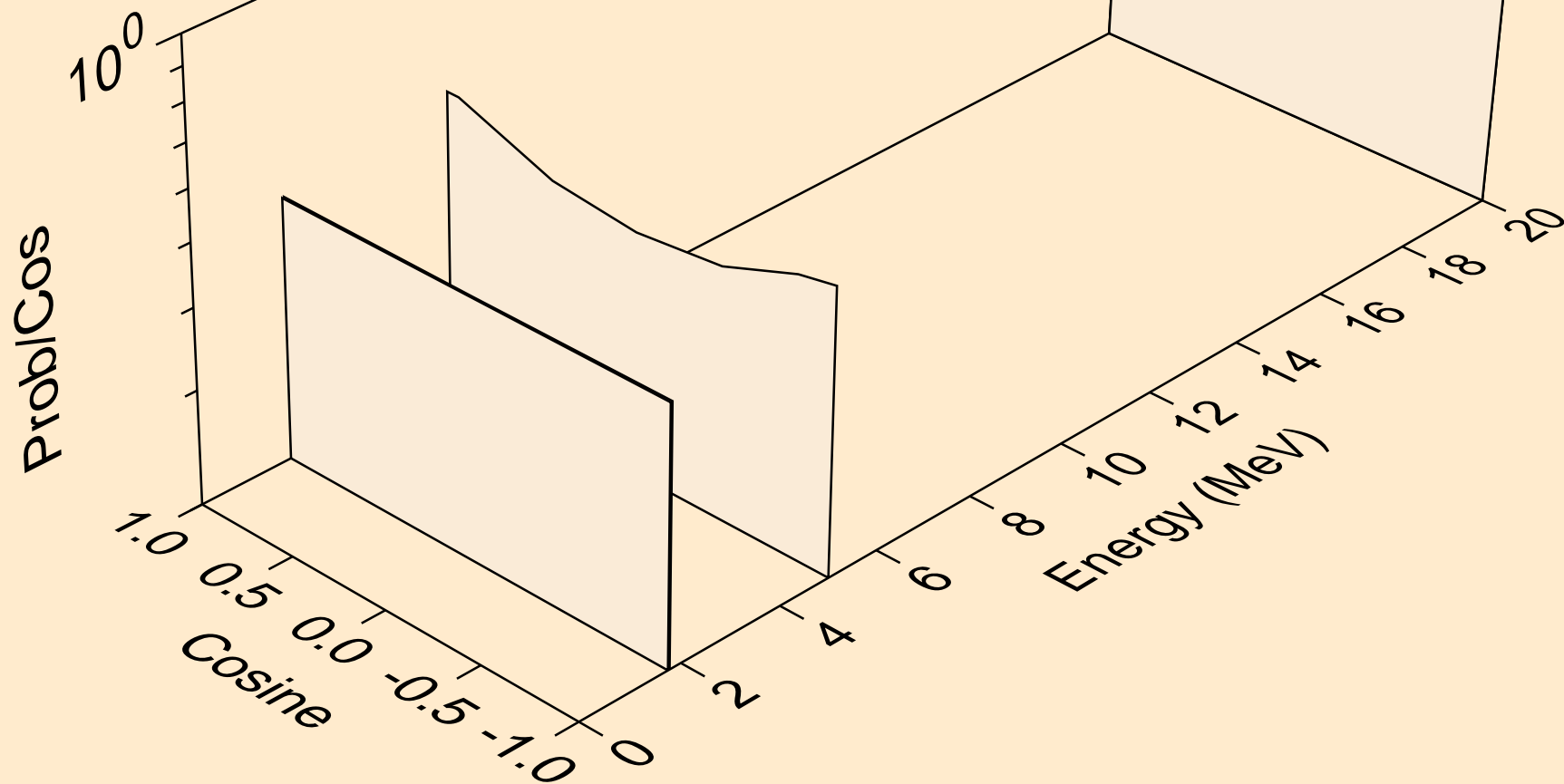
31-GA-71 FOR FENDL-3.1 FROM FENDL-3.1 WITH NJOY2012.50+  
angular distribution for (n,n\*13)



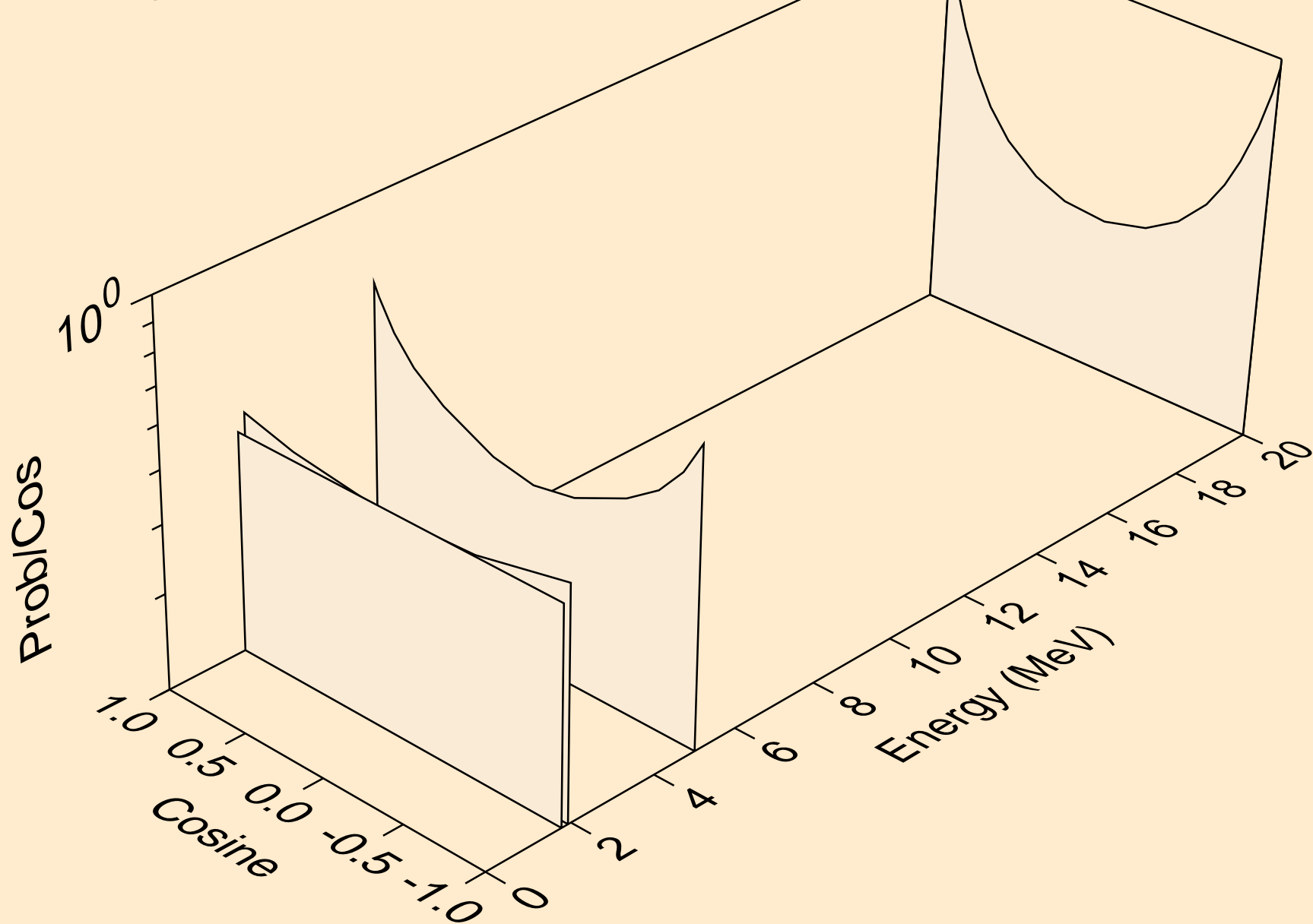
31-GA-71 FOR FENDL-3.1 FROM FENDL-3.1 WITH NJOY2012.50+  
angular distribution for (n,n\*14)



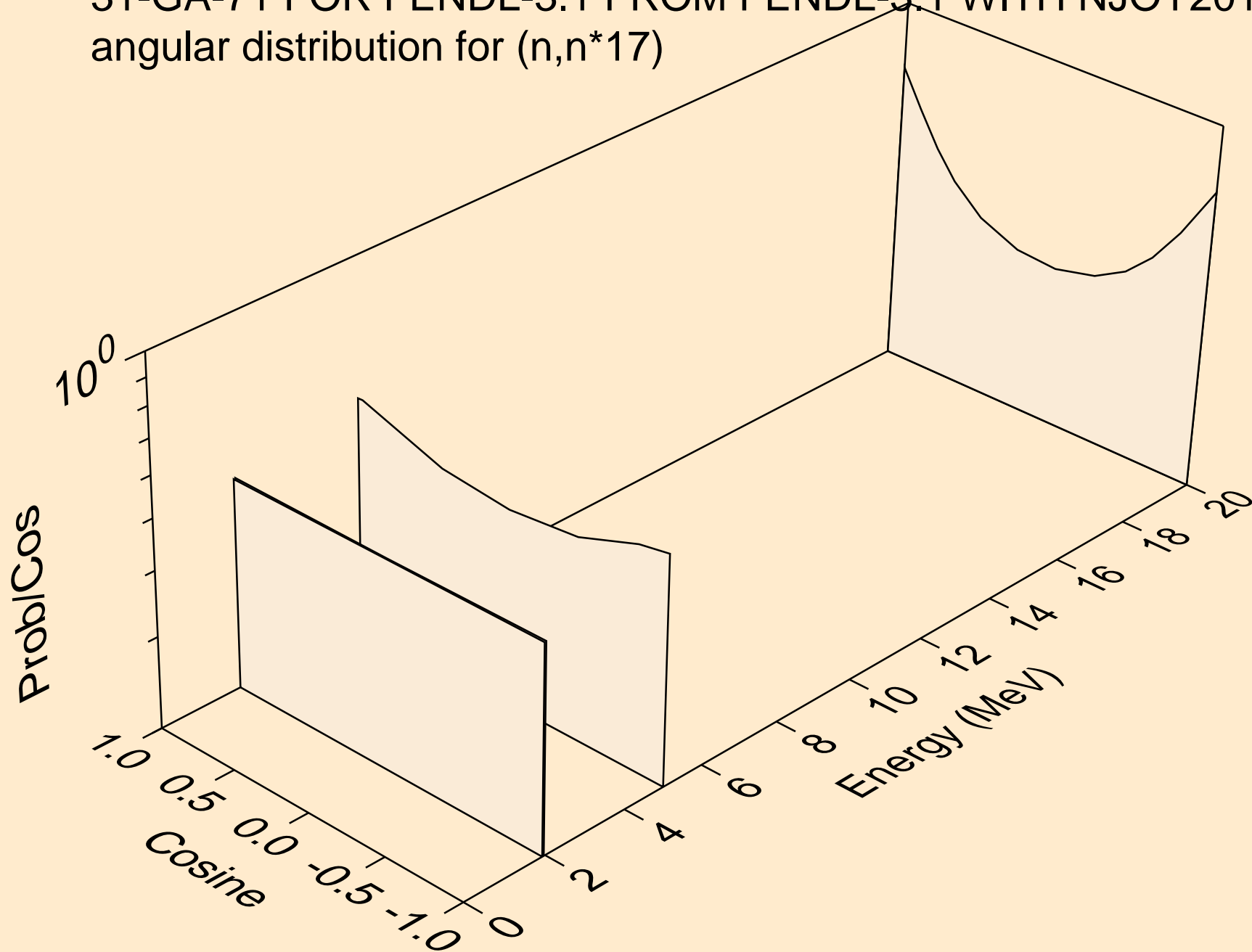
31-GA-71 FOR FENDL-3.1 FROM FENDL-3.1 WITH NJOY2012.50+  
angular distribution for (n,n\*15)



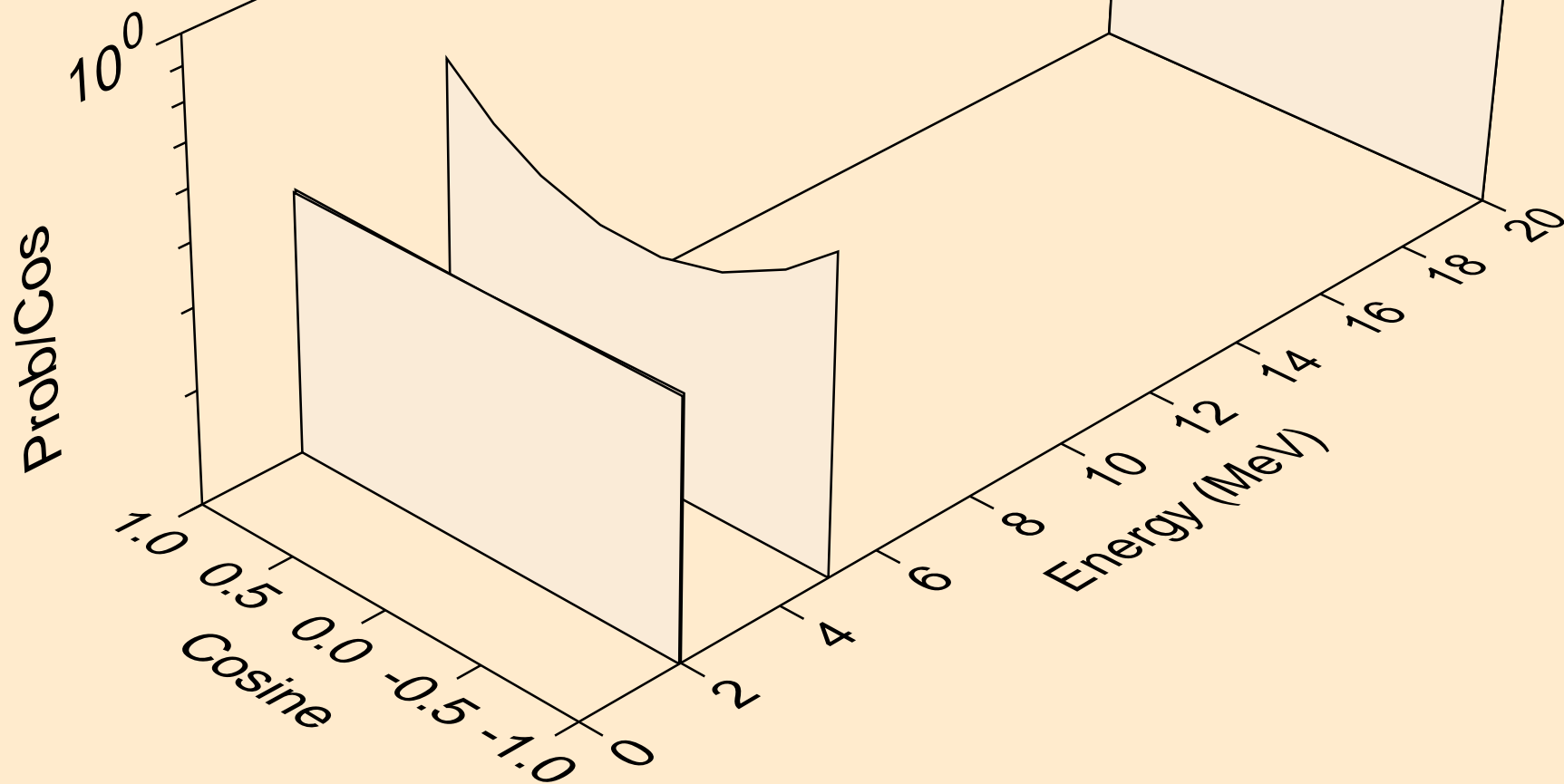
31-GA-71 FOR FENDL-3.1 FROM FENDL-3.1 WITH NJOY2012.50+  
angular distribution for (n,n\*16)



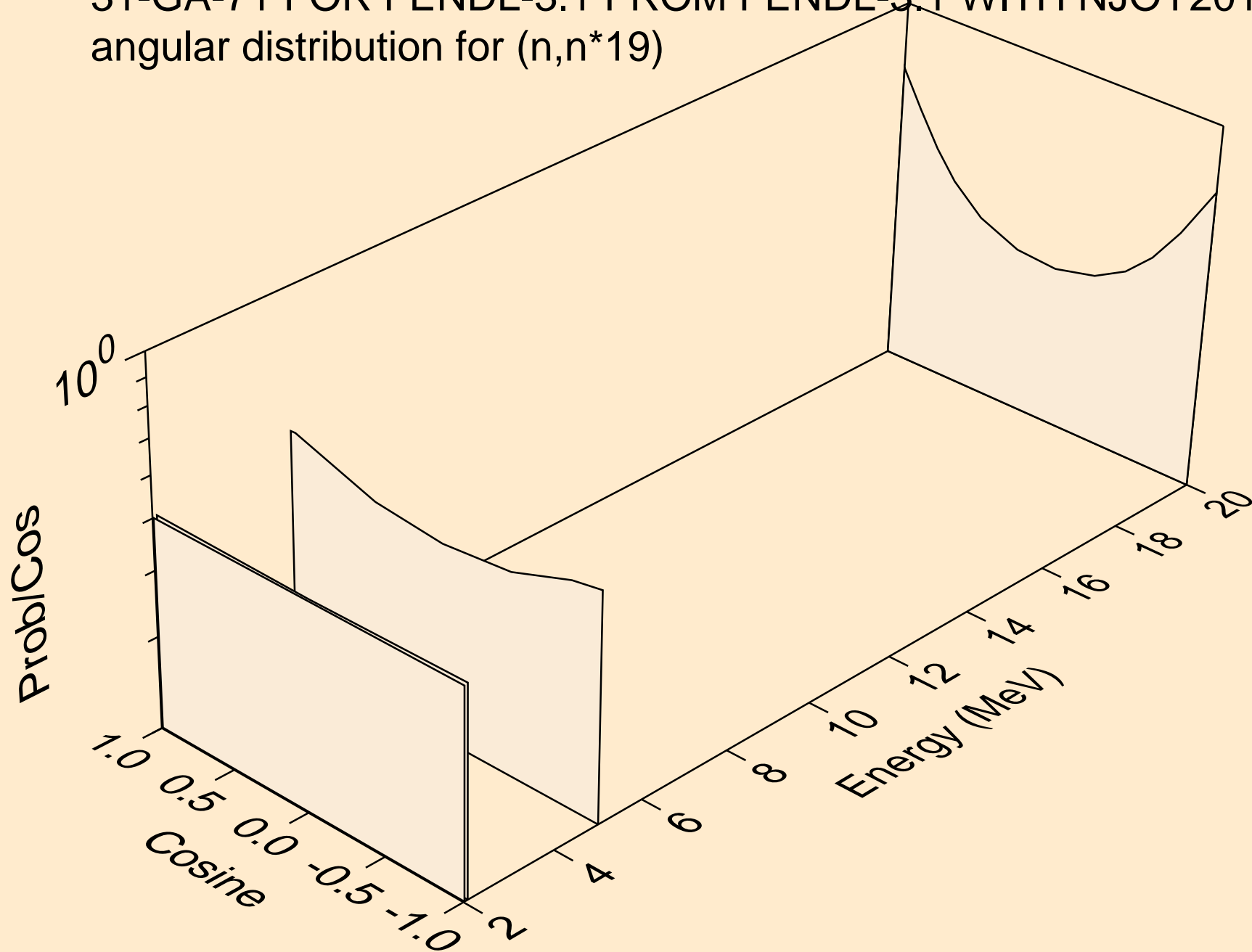
31-GA-71 FOR FENDL-3.1 FROM FENDL-3.1 WITH NJOY2012.50+  
angular distribution for (n,n\*17)



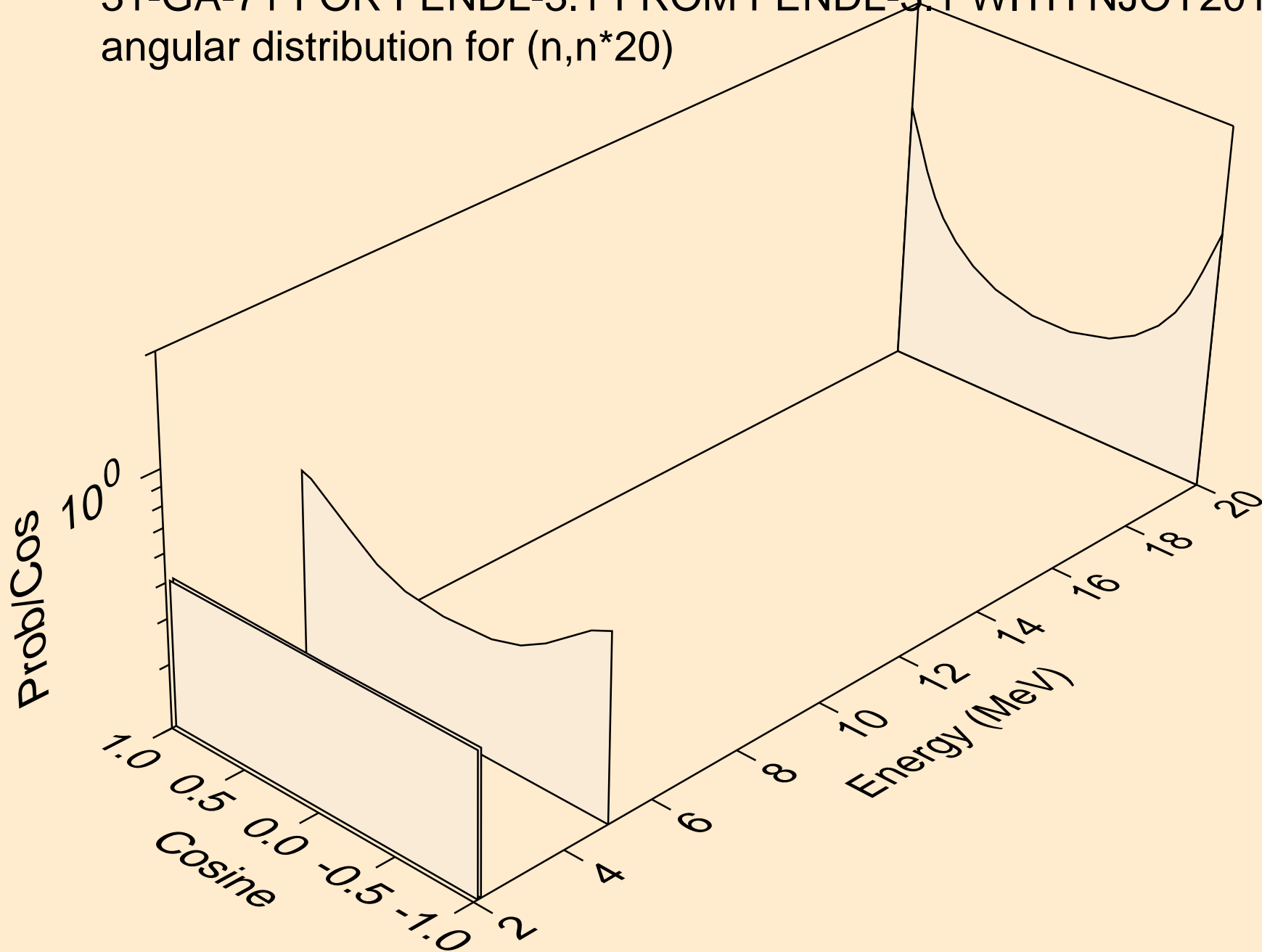
31-GA-71 FOR FENDL-3.1 FROM FENDL-3.1 WITH NJOY2012.50+  
angular distribution for (n,n\*18)



31-GA-71 FOR FENDL-3.1 FROM FENDL-3.1 WITH NJOY2012.50+  
angular distribution for (n,n\*19)

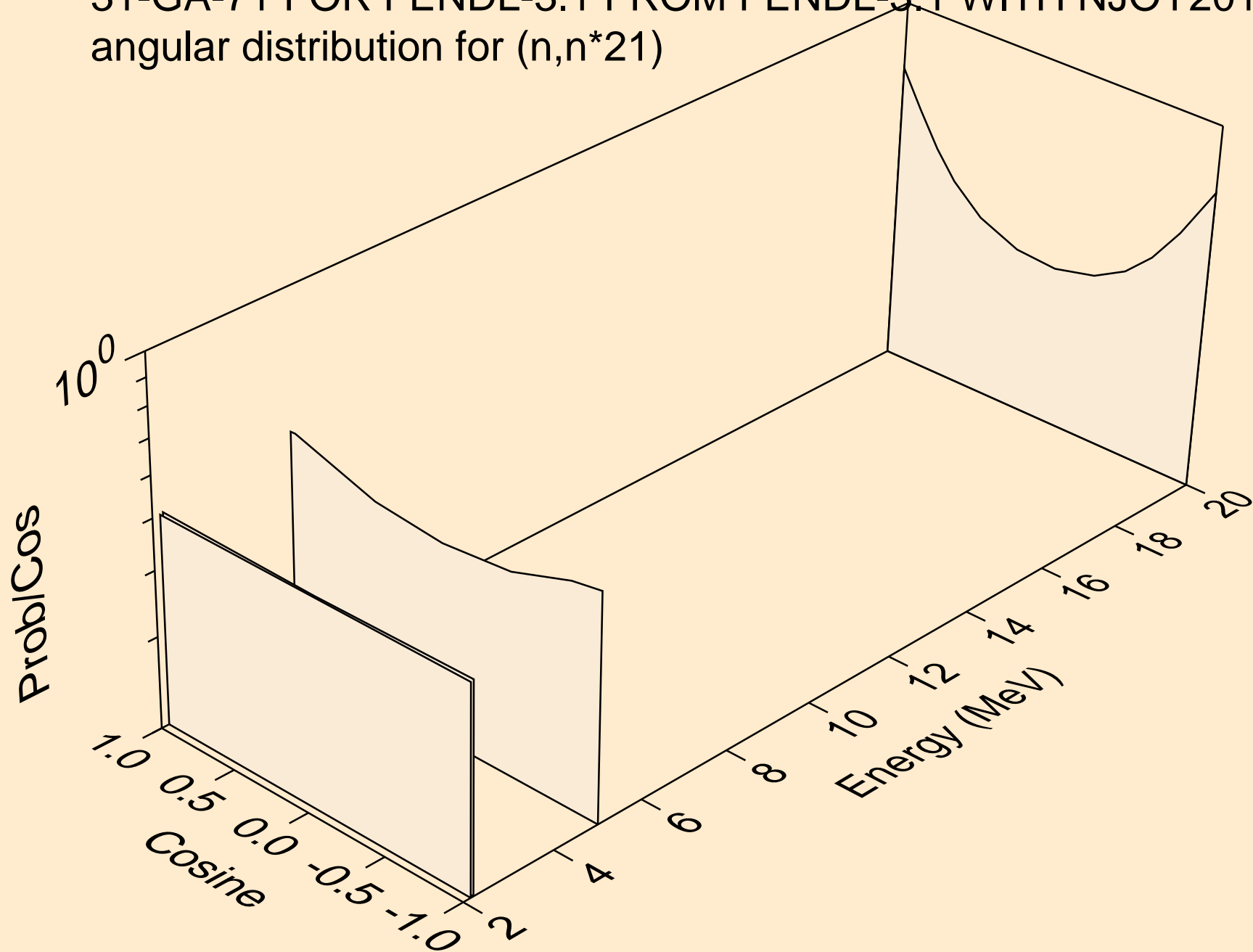


31-GA-71 FOR FENDL-3.1 FROM FENDL-3.1 WITH NJOY2012.50+  
angular distribution for (n,n\*20)

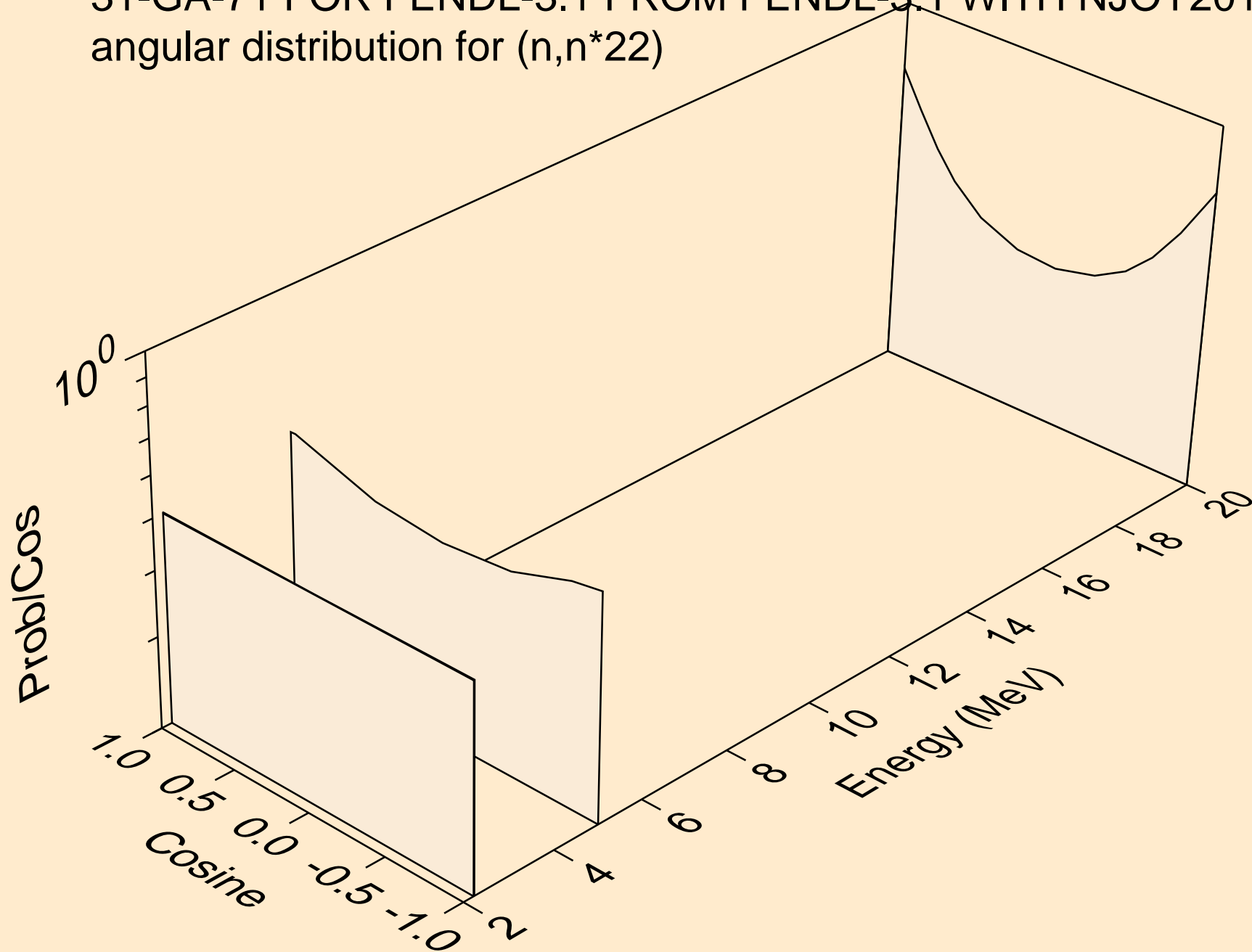




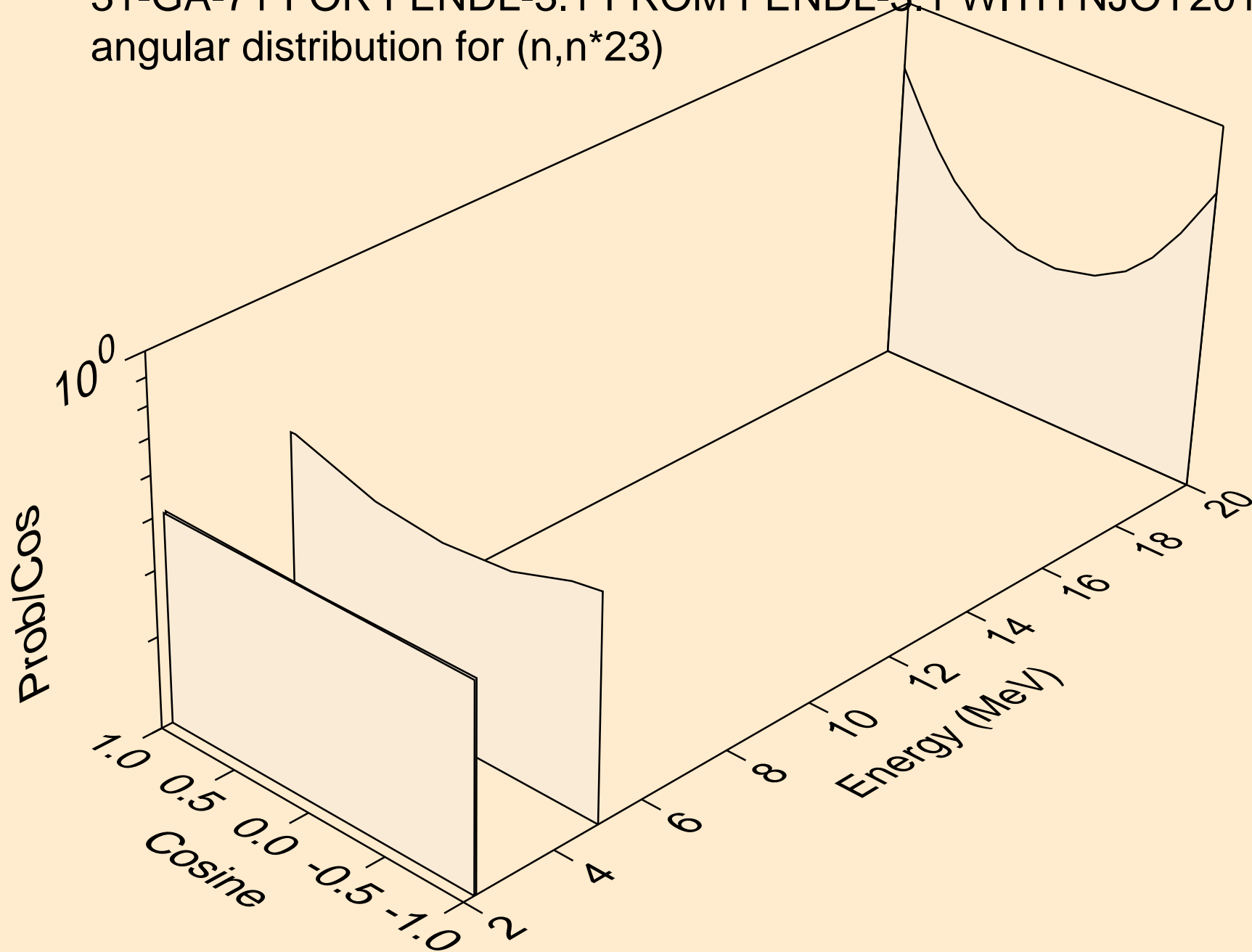
31-GA-71 FOR FENDL-3.1 FROM FENDL-3.1 WITH NJOY2012.50+  
angular distribution for (n,n\*21)



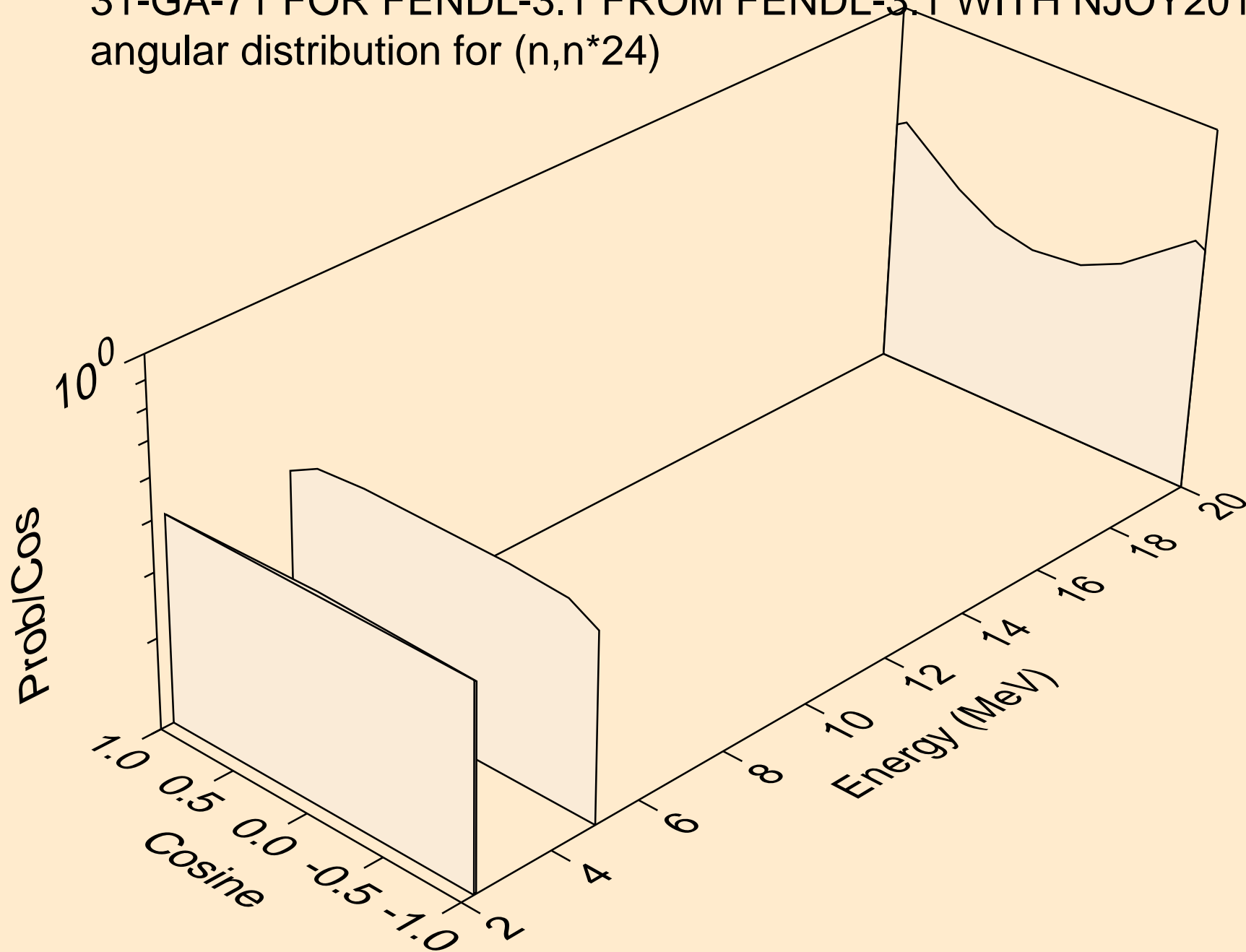
31-GA-71 FOR FENDL-3.1 FROM FENDL-3.1 WITH NJOY2012.50+  
angular distribution for (n,n\*22)



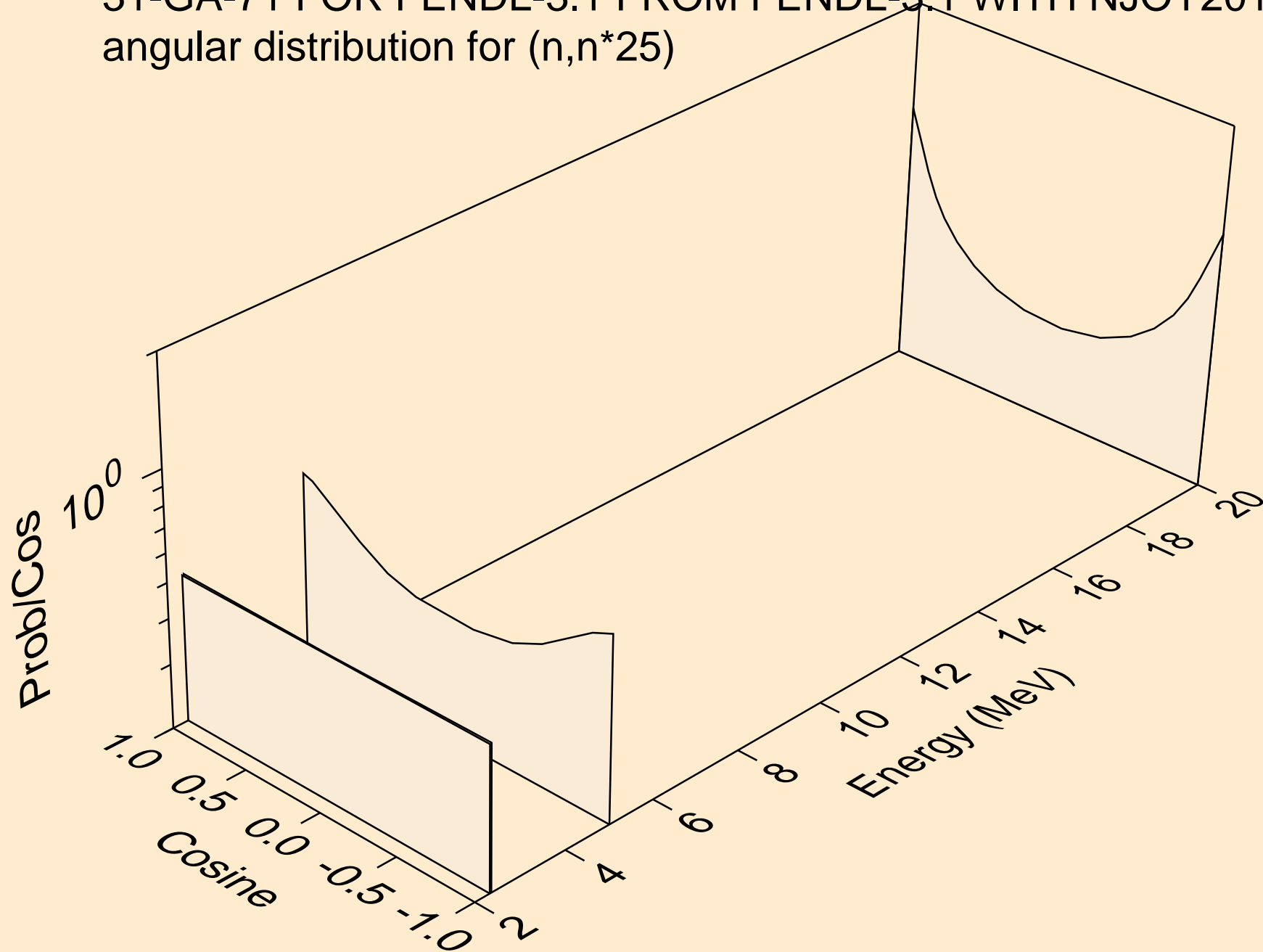
31-GA-71 FOR FENDL-3.1 FROM FENDL-3.1 WITH NJOY2012.50+  
angular distribution for (n,n\*23)



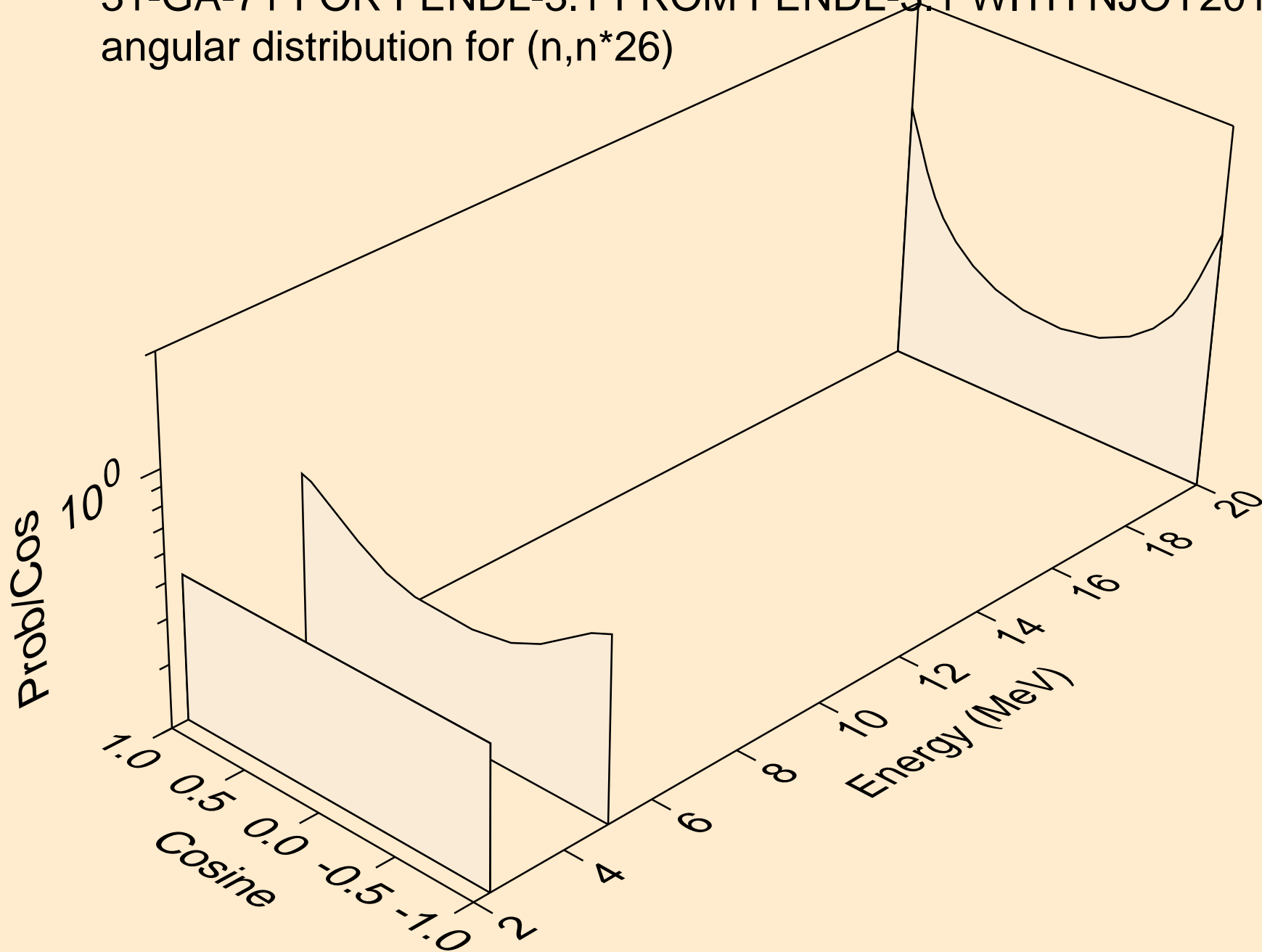
31-GA-71 FOR FENDL-3.1 FROM FENDL-3.1 WITH NJOY2012.50+  
angular distribution for (n,n\*24)



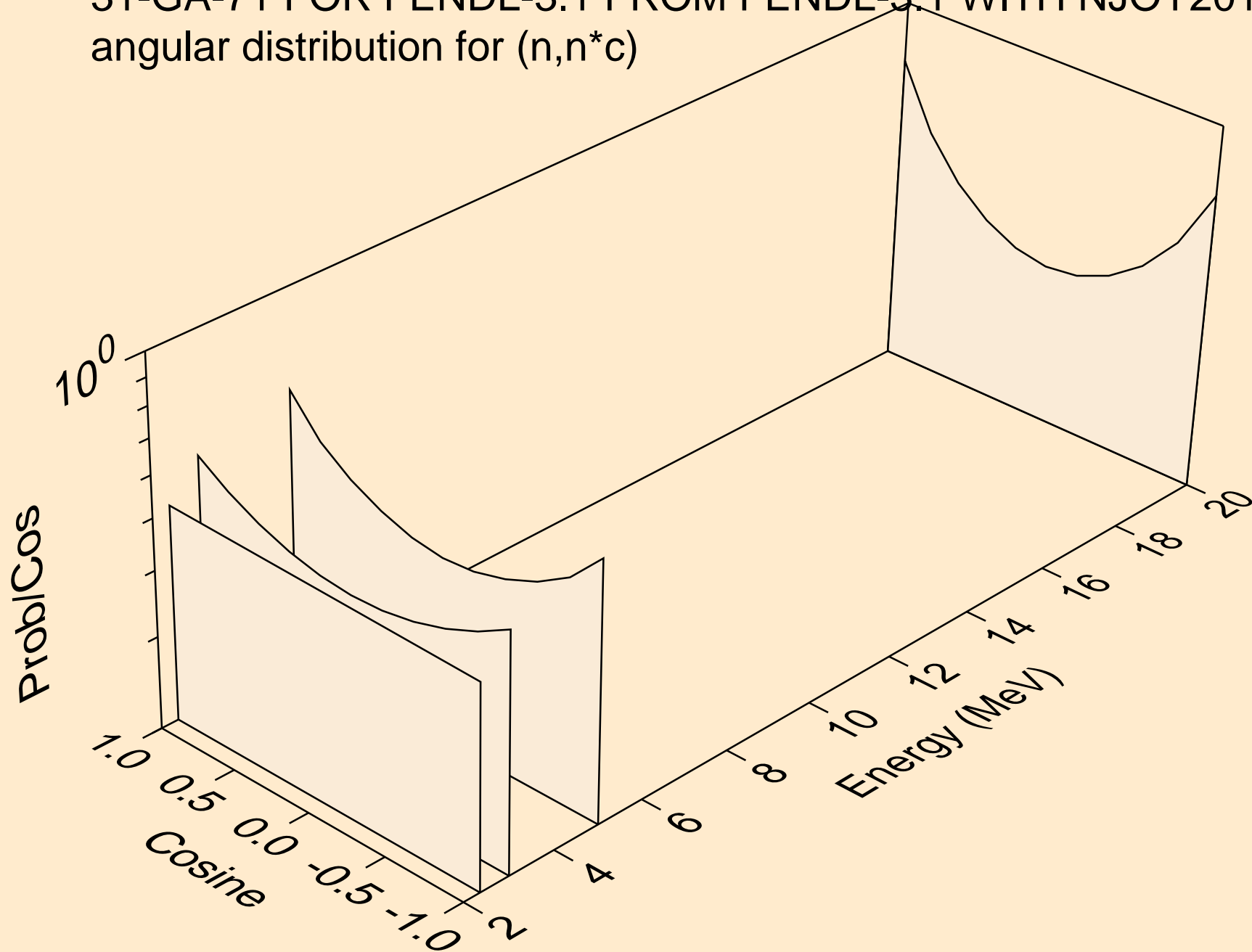
31-GA-71 FOR FENDL-3.1 FROM FENDL-3.1 WITH NJOY2012.50+  
angular distribution for (n,n\*25)



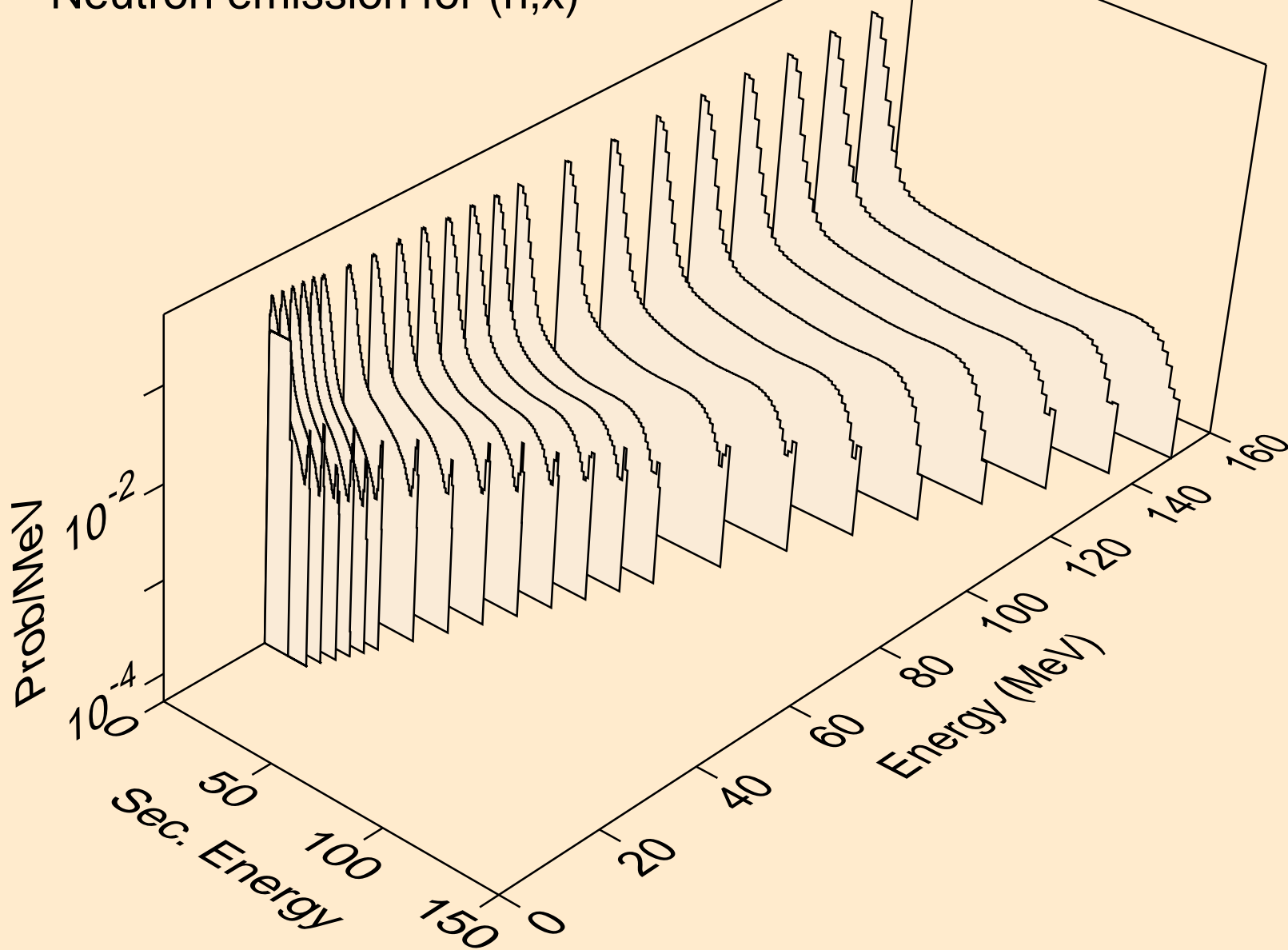
31-GA-71 FOR FENDL-3.1 FROM FENDL-3.1 WITH NJOY2012.50+  
angular distribution for (n,n\*26)



31-GA-71 FOR FENDL-3.1 FROM FENDL-3.1 WITH NJOY2012.50+  
angular distribution for (n,n\*c)

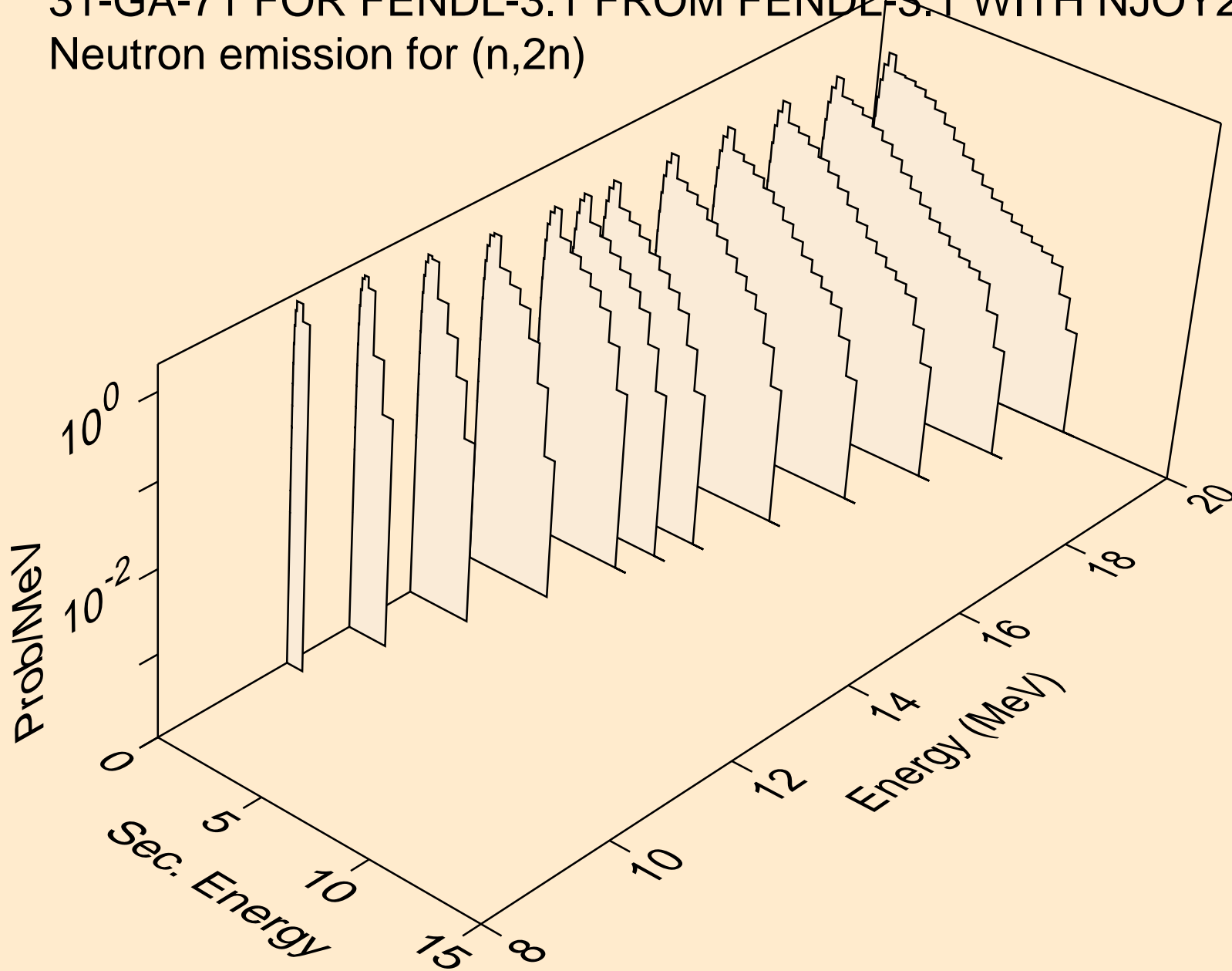


31-GA-71 FOR FENDL-3.1 FROM FENDL-3.1 WITH NJOY2012.50+  
Neutron emission for (n,x)

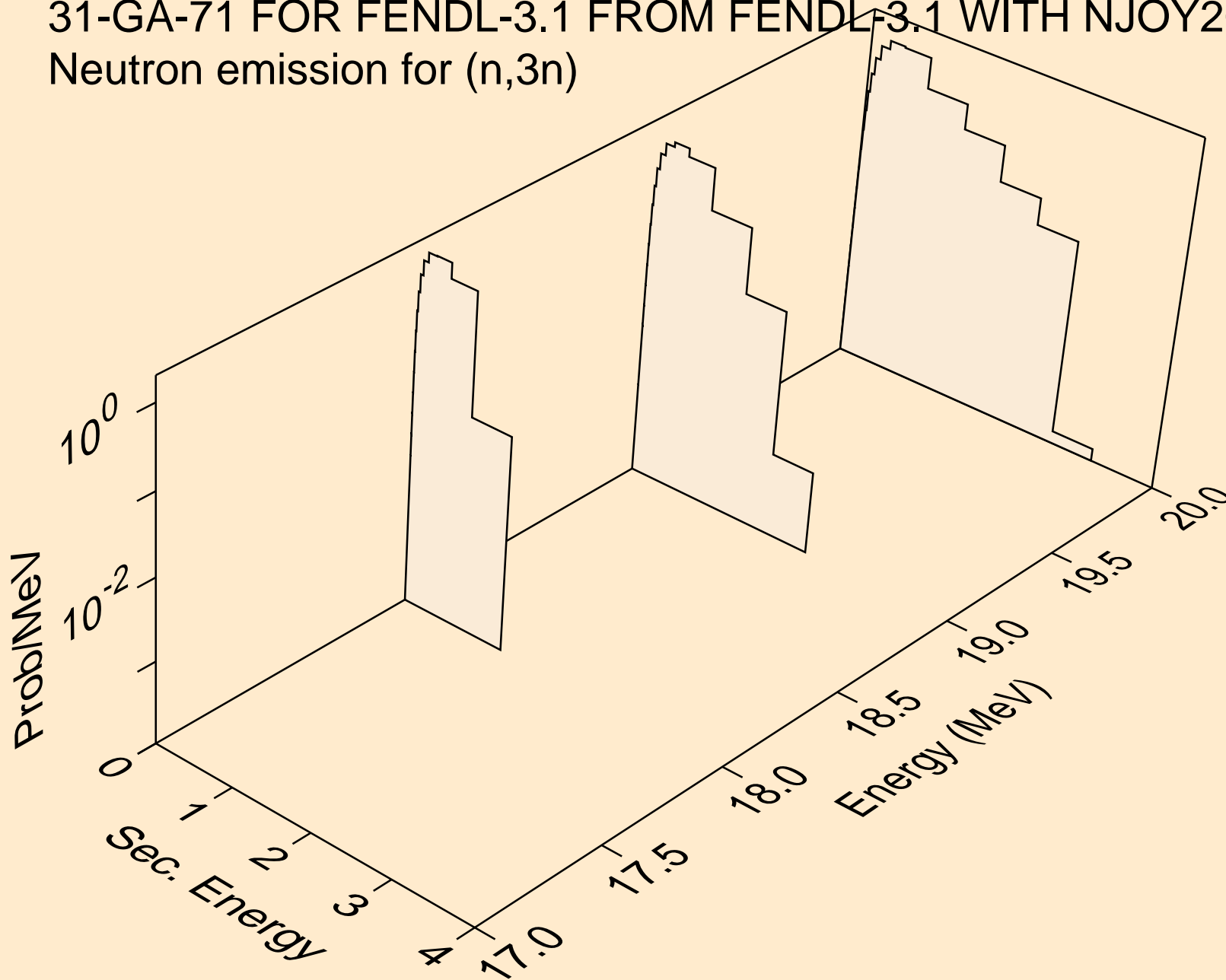




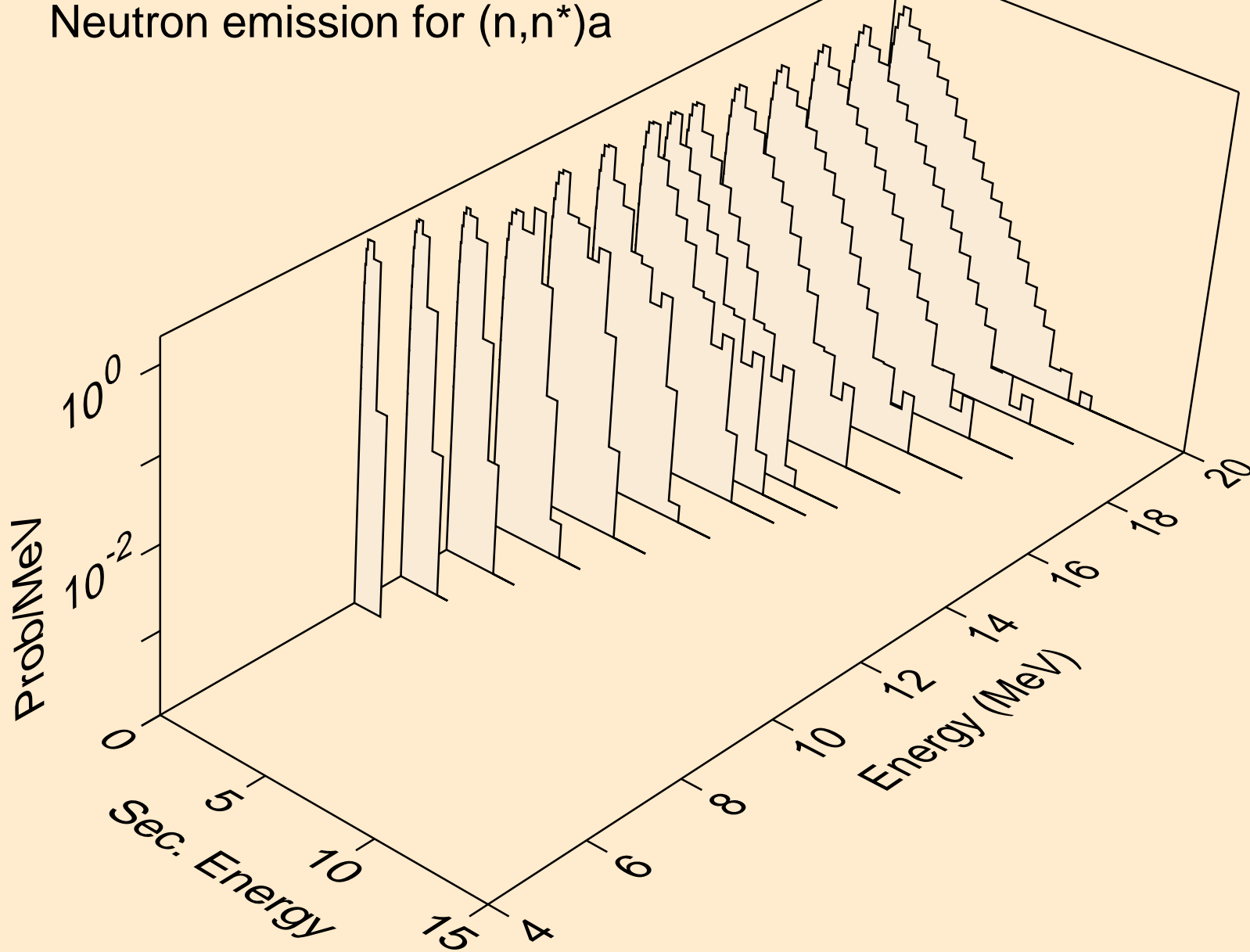
31-GA-71 FOR FENDL-3.1 FROM FENDL-3.1 WITH NJOY2012.50+  
Neutron emission for (n,2n)



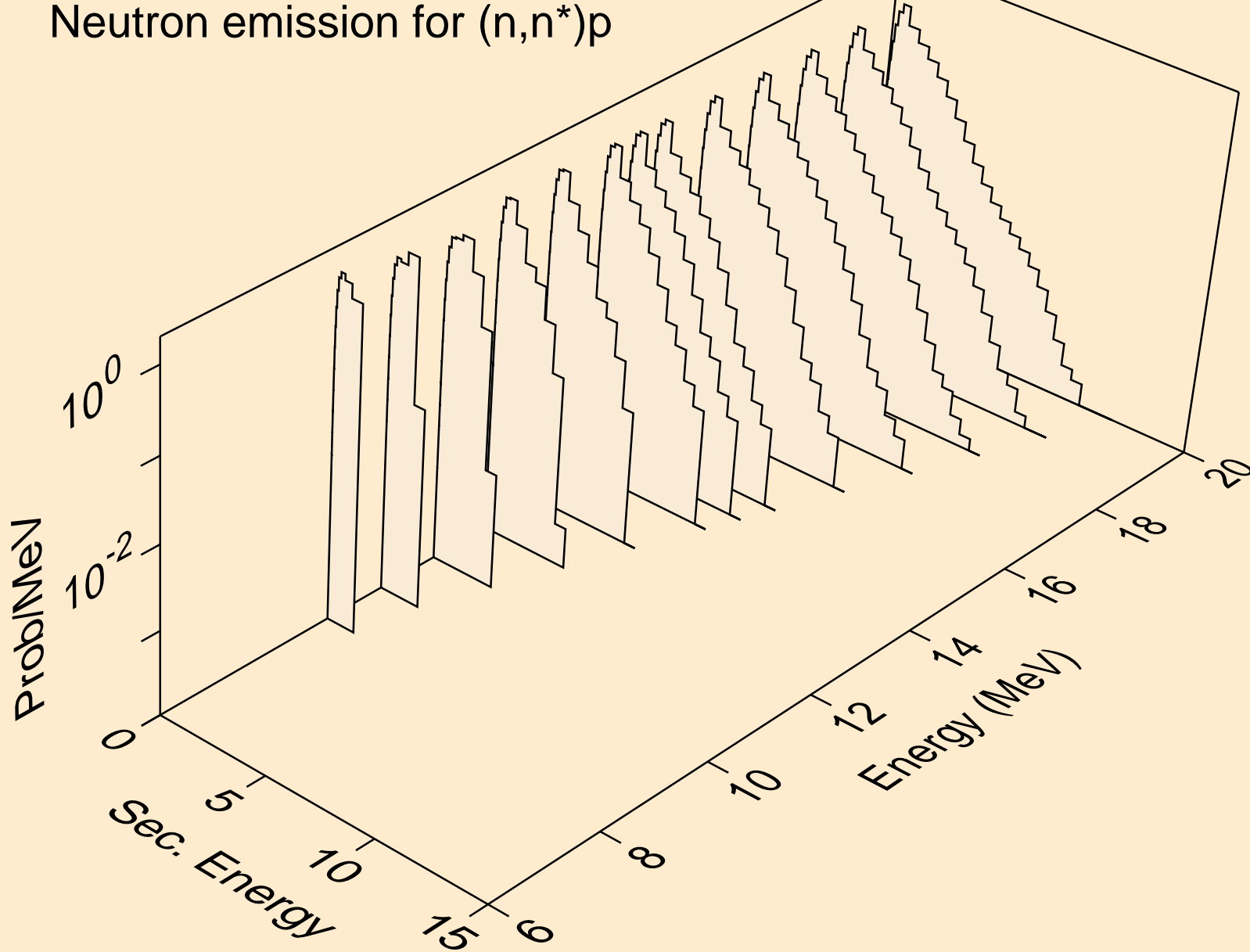
31-GA-71 FOR FENDL-3.1 FROM FENDL-3.1 WITH NJOY2012.50+  
Neutron emission for (n,3n)



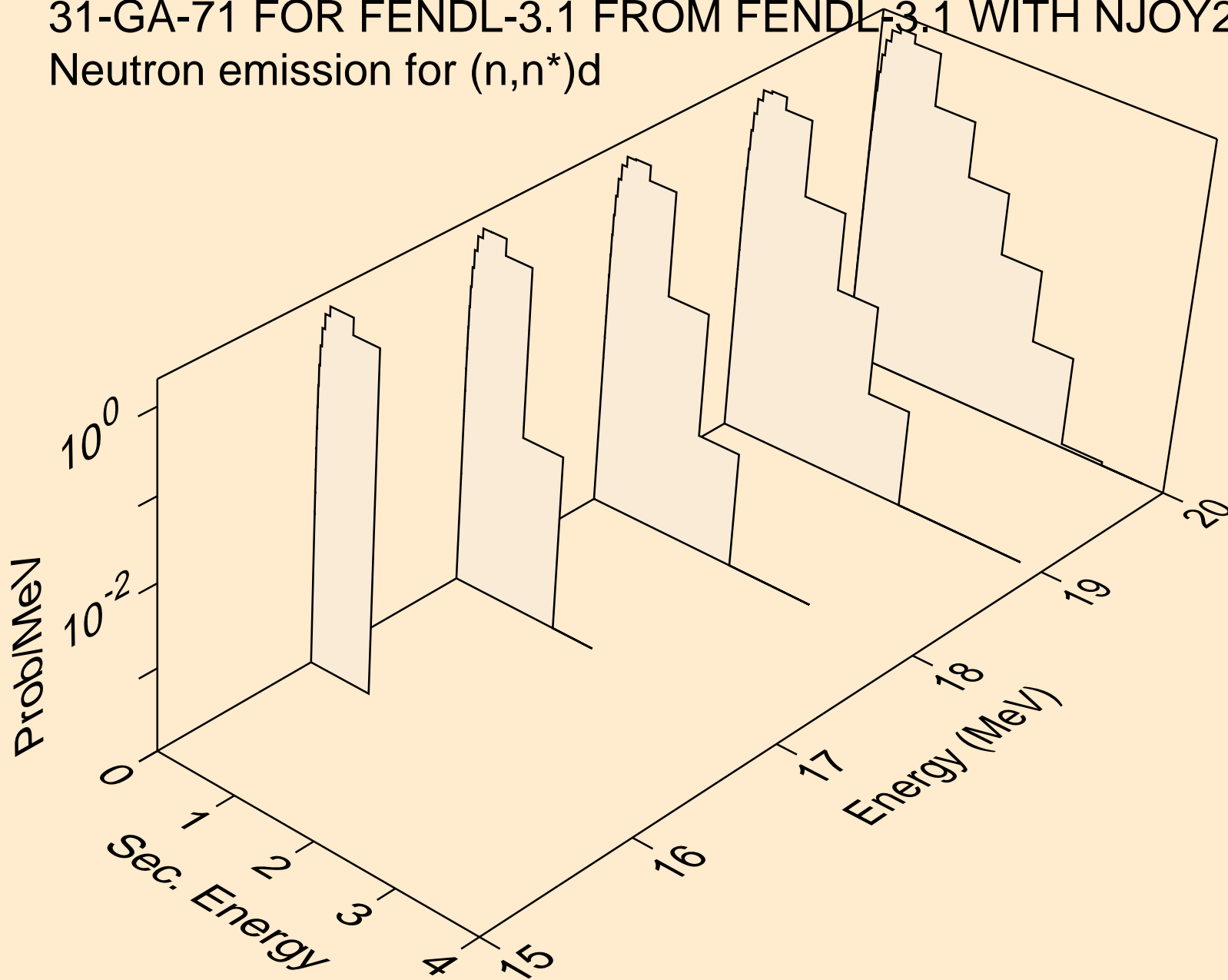
31-GA-71 FOR FENDL-3.1 FROM FENDL-3.1 WITH NJOY2012.50+  
Neutron emission for (n,n\*)a



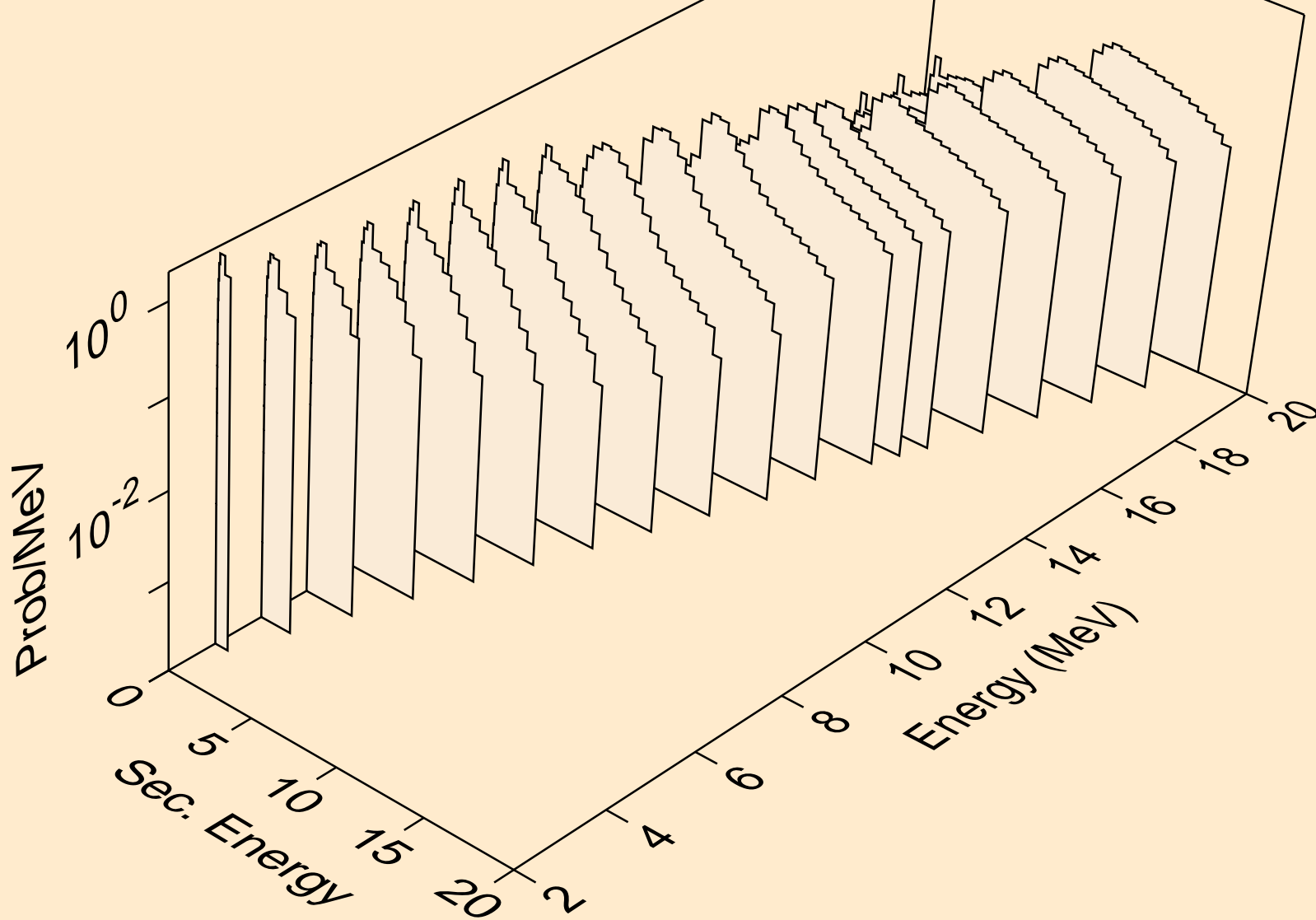
31-GA-71 FOR FENDL-3.1 FROM FENDL-3.1 WITH NJOY2012.50+  
Neutron emission for (n,n\*)p



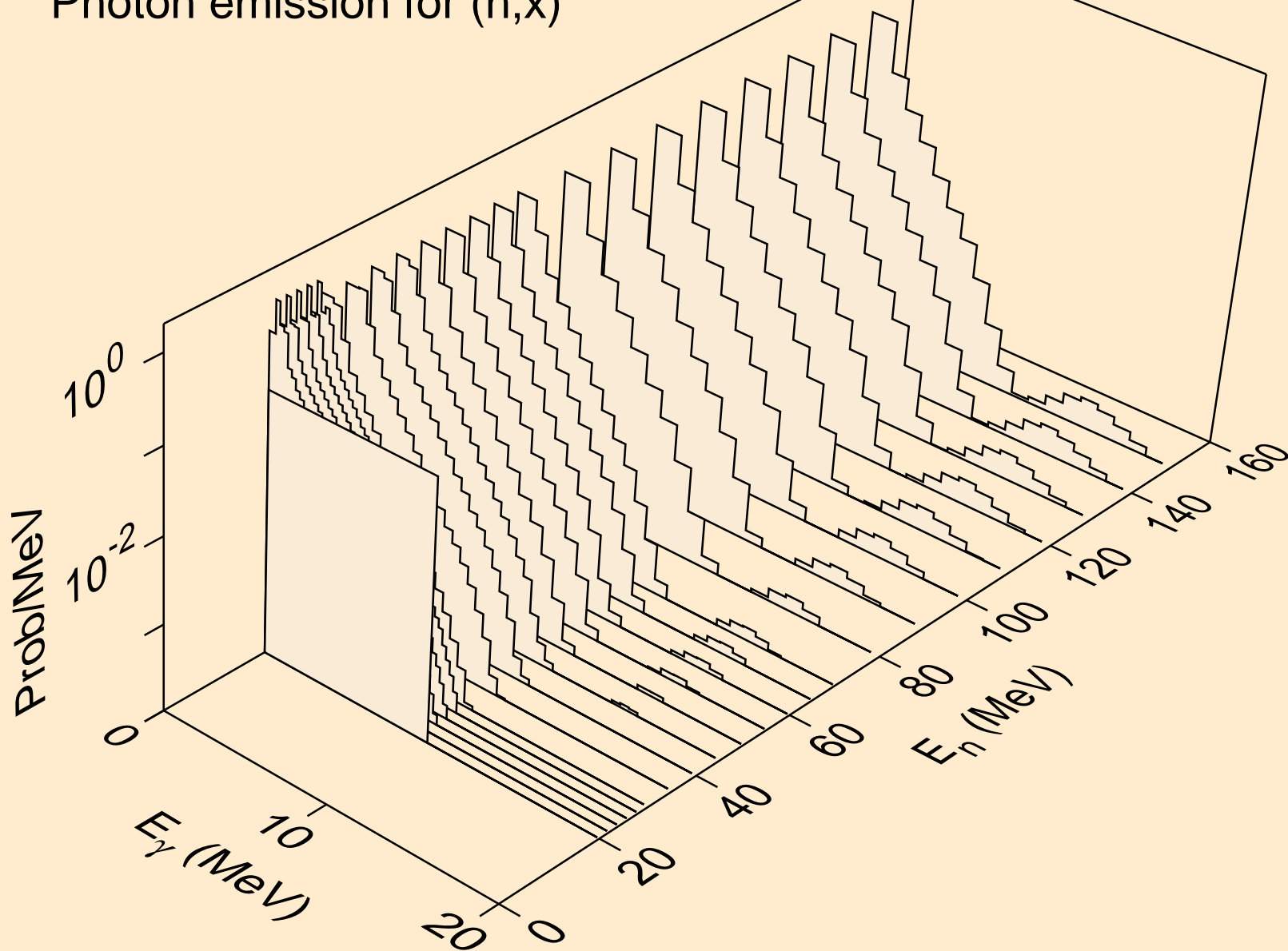
31-GA-71 FOR FENDL-3.1 FROM FENDL-3.1 WITH NJOY2012.50+  
Neutron emission for (n,n\*)d



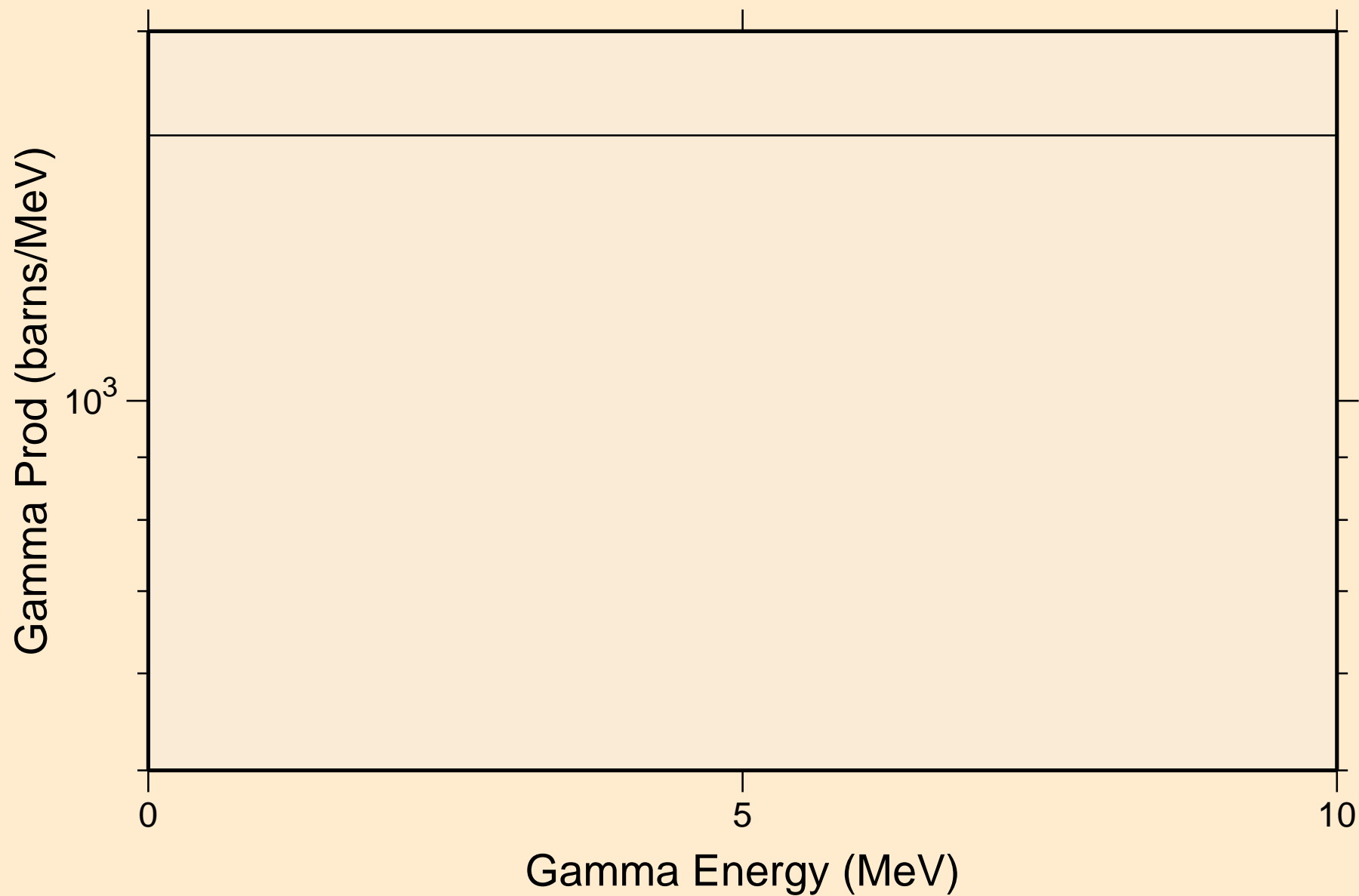
31-GA-71 FOR FENDL-3.1 FROM FENDL-3.1 WITH NJOY2012.50+  
Neutron emission for (n,n\*c)



31-GA-71 FOR FENDL-3.1 FROM FENDL-3.1 WITH NJOY2012.50+  
Photon emission for (n,x)



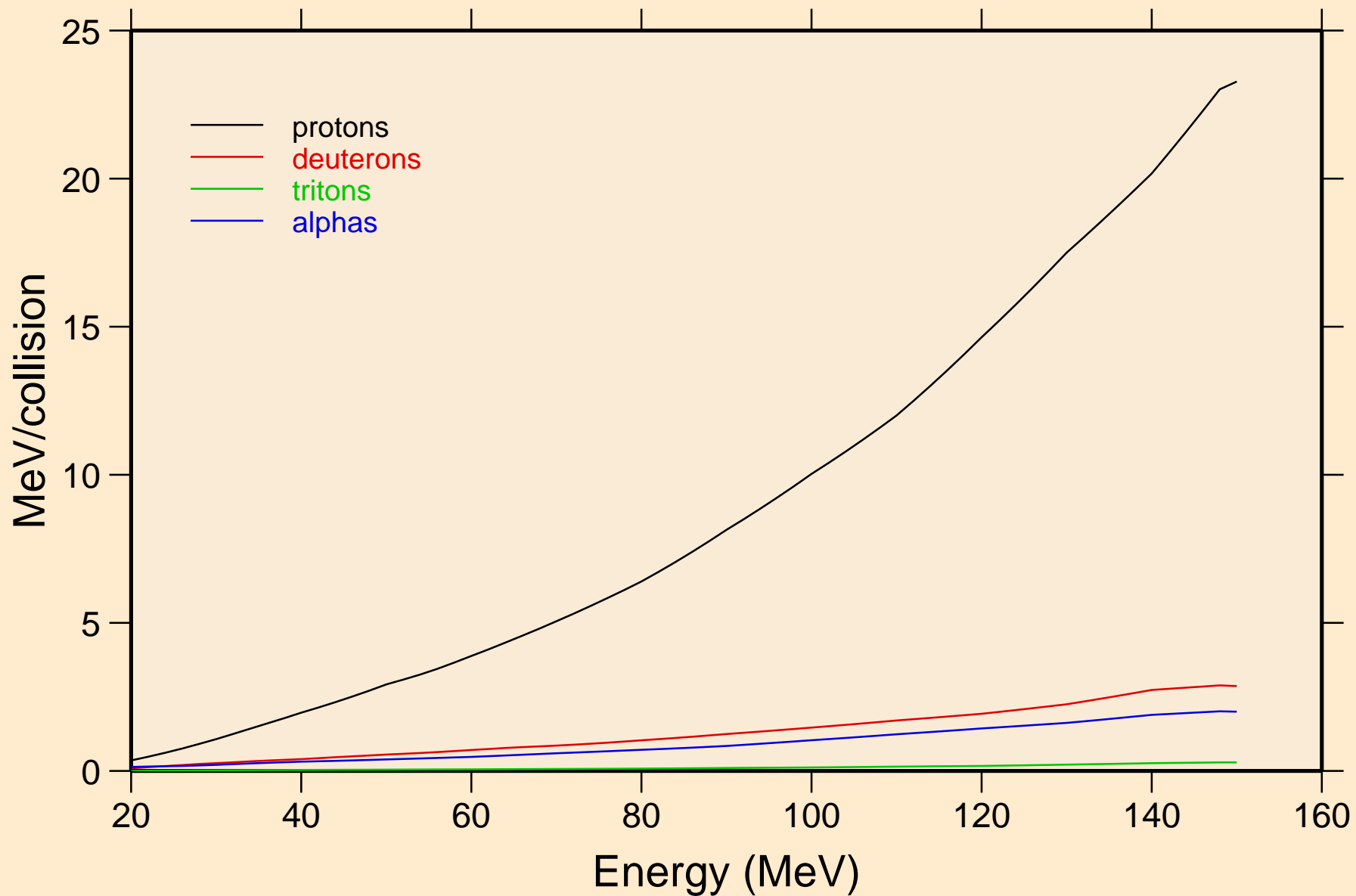
31-GA-71 FOR FENDL-3.1 FROM FENDL-3.1 WITH NJOY2012.50+  
14 MeV photon spectrum





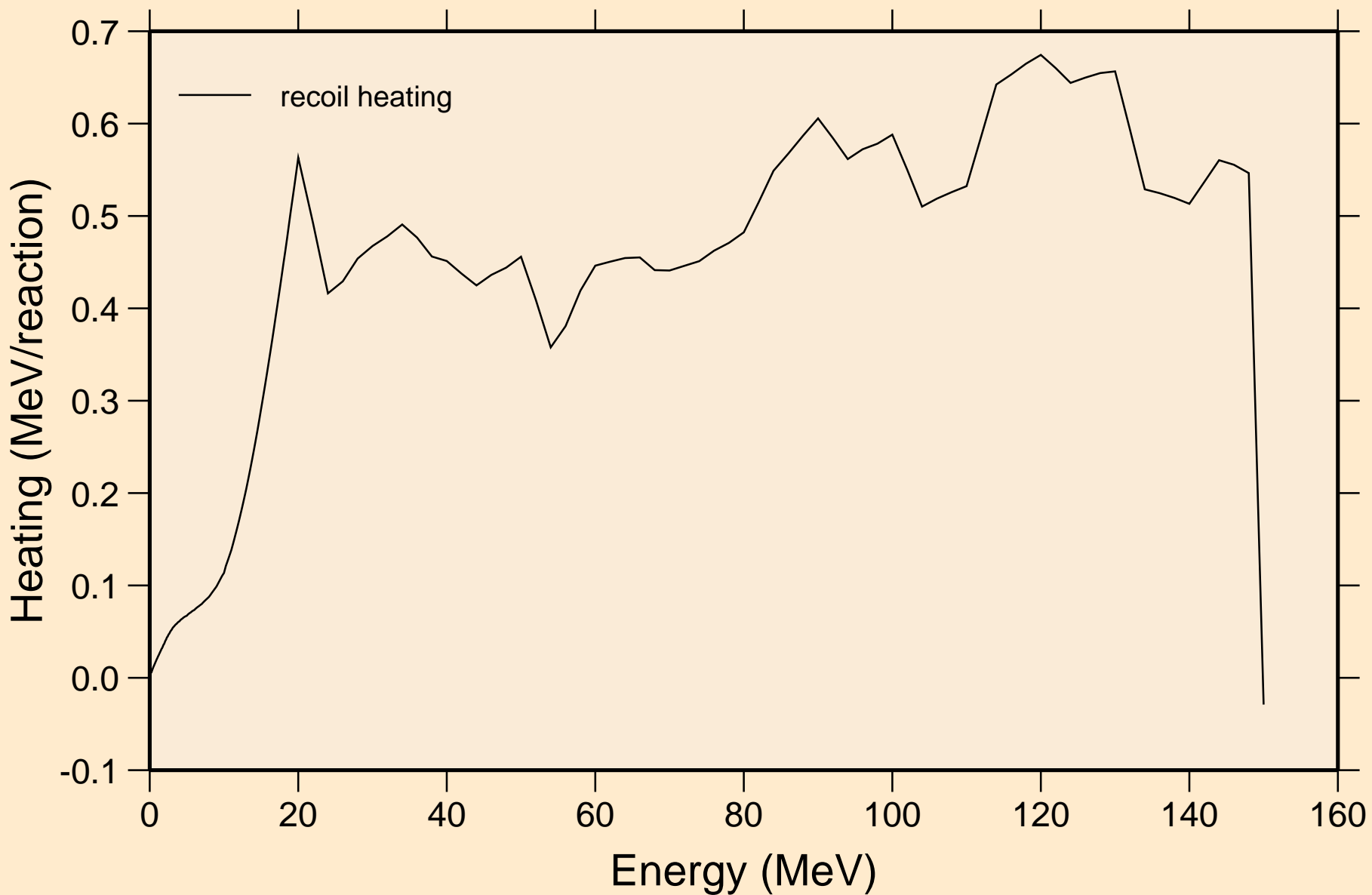
# 31-GA-71 FOR FENDL-3.1 FROM FENDL-3.1 WITH NJOY2012.50+

## Particle heating contributions



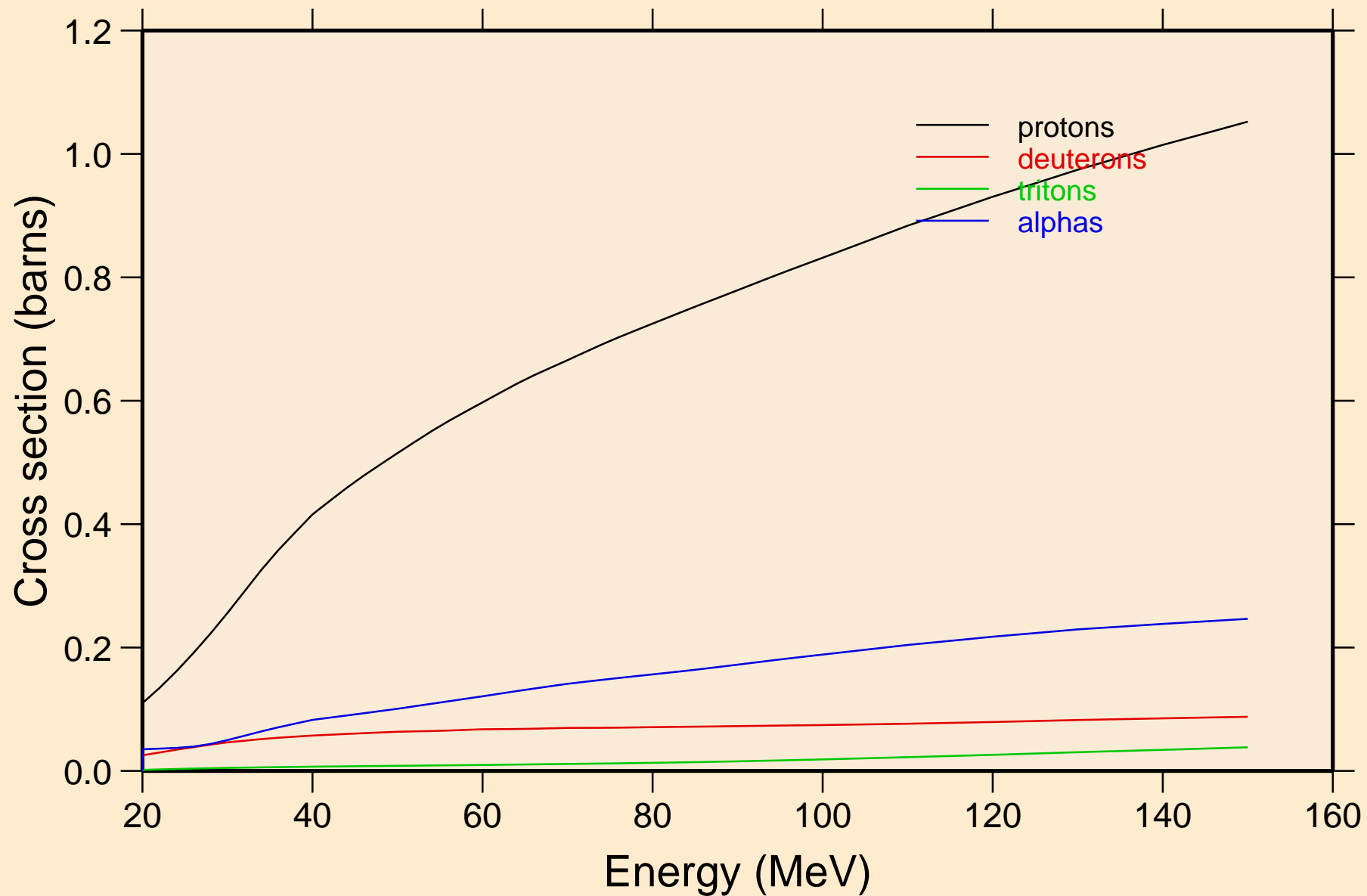
# 31-GA-71 FOR FENDL-3.1 FROM FENDL-3.1 WITH NJOY2012.50+

## Recoil Heating

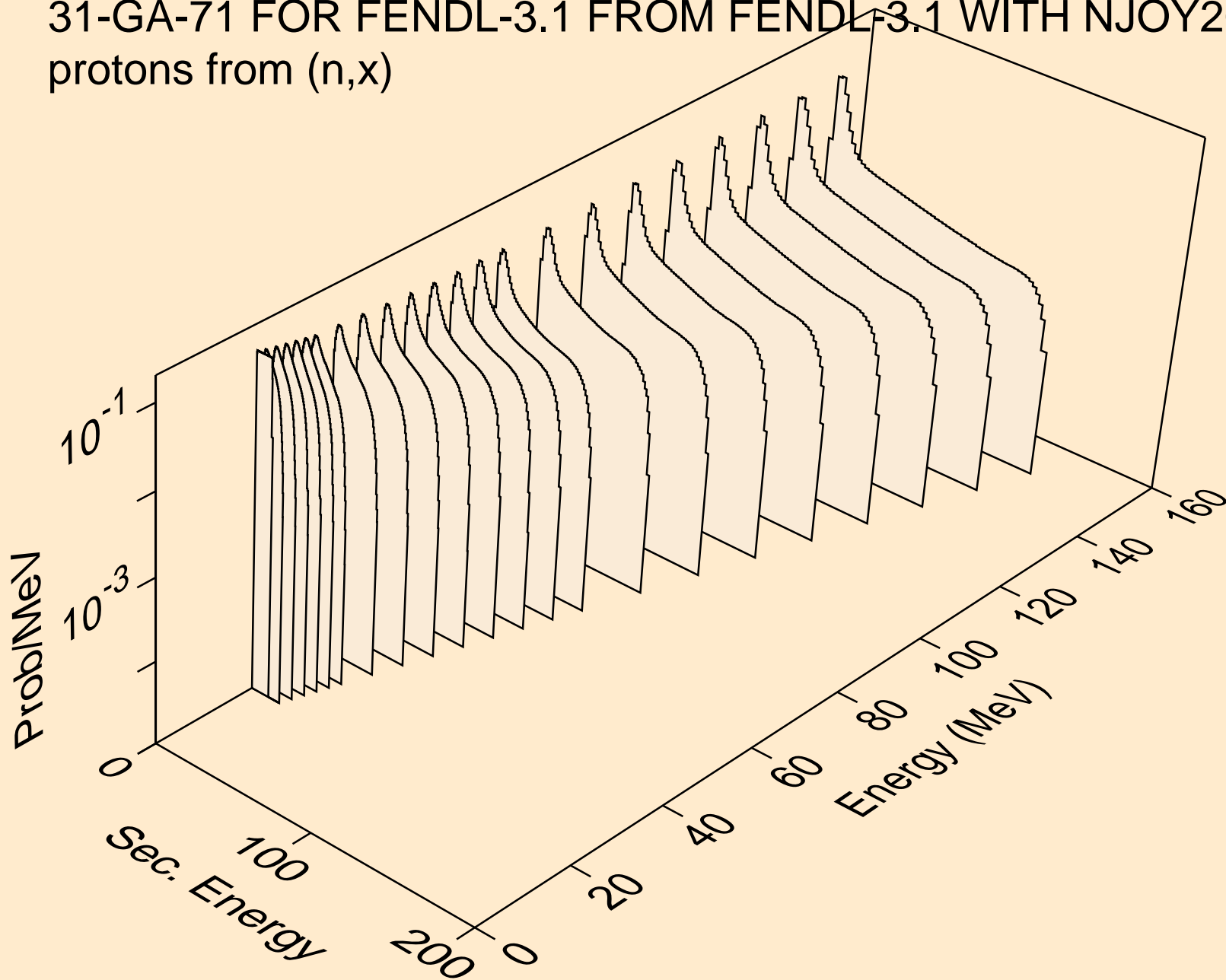


# 31-GA-71 FOR FENDL-3.1 FROM FENDL-3.1 WITH NJOY2012.50+

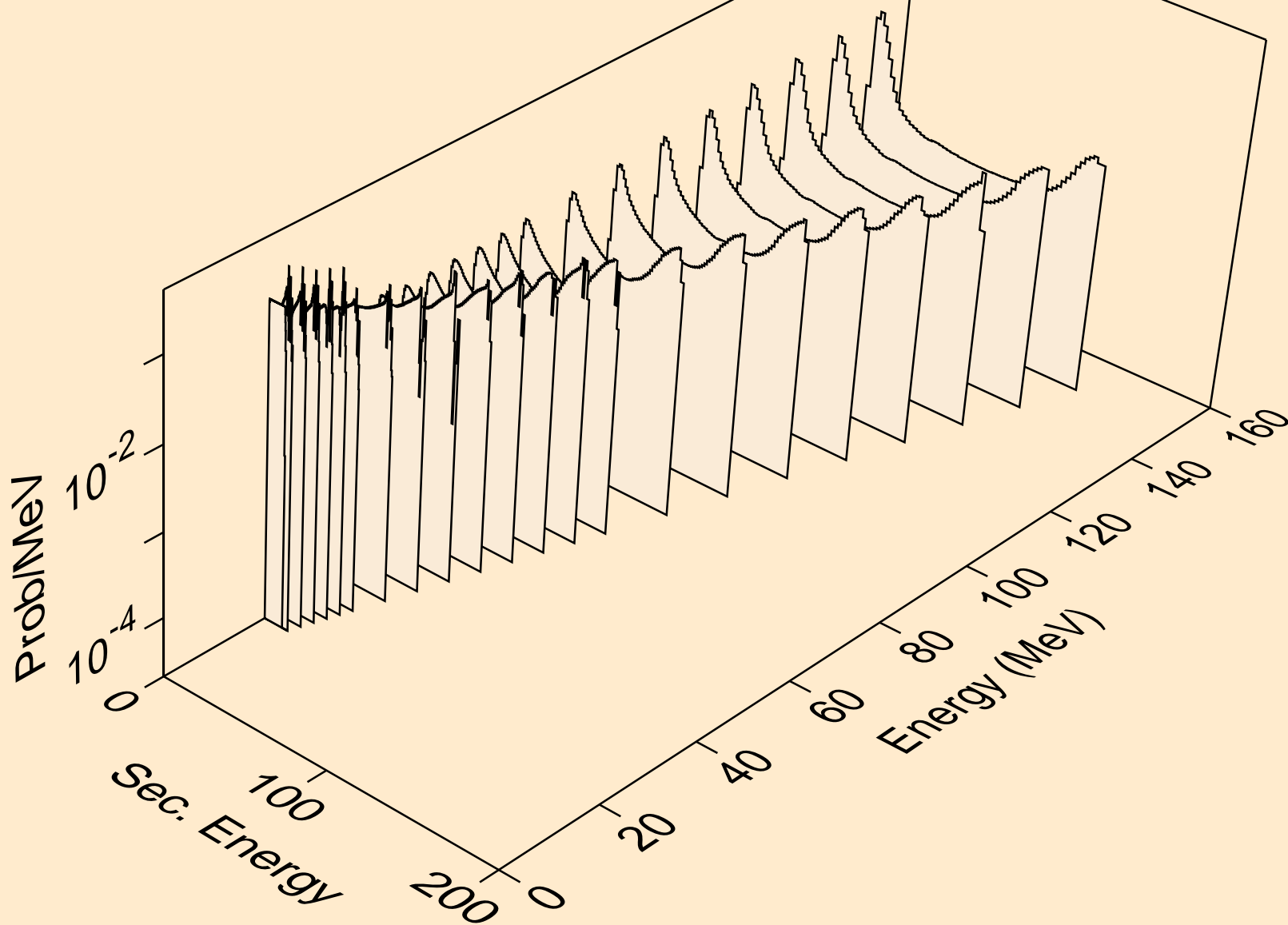
## Particle production cross sections



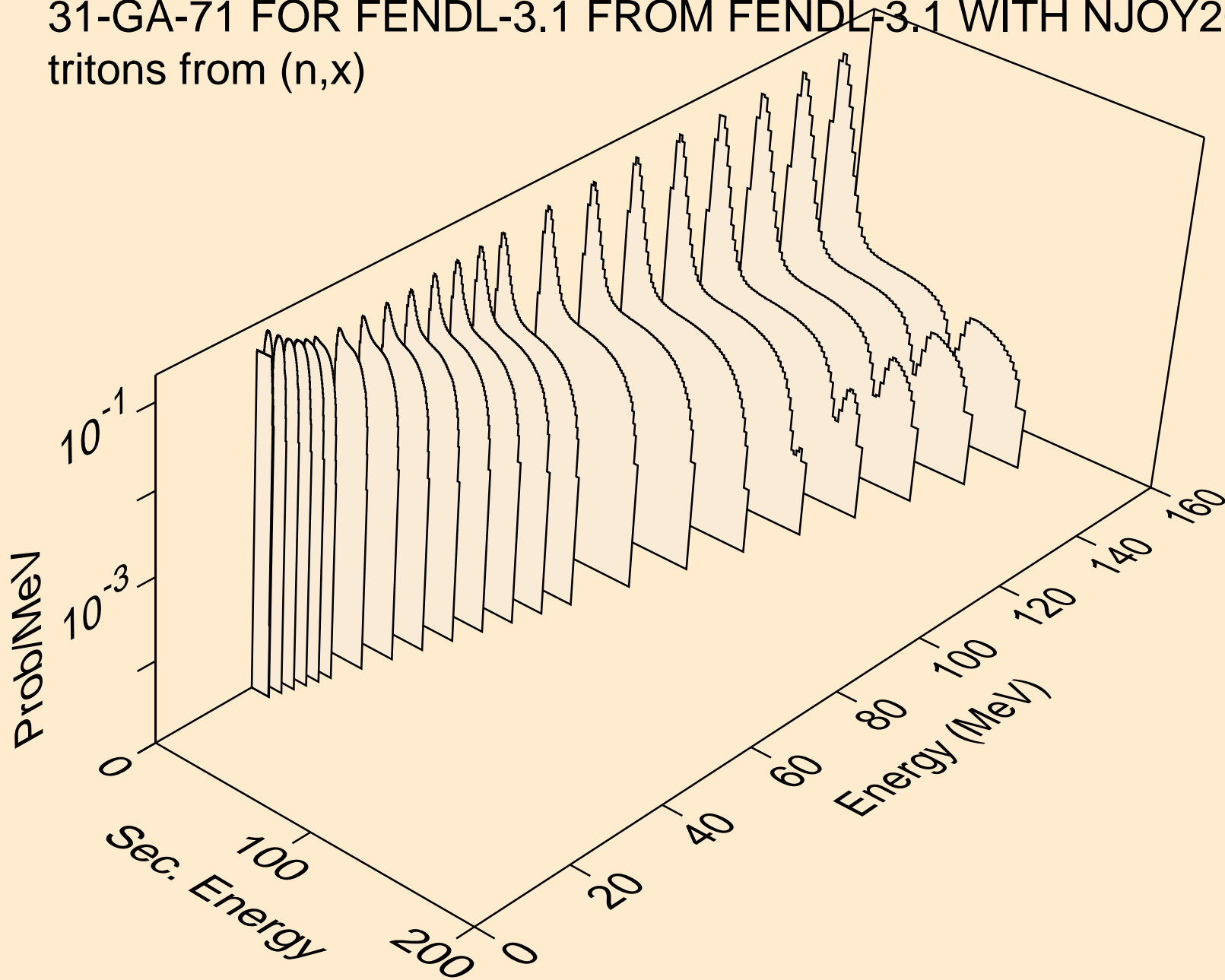
31-GA-71 FOR FENDL-3.1 FROM FENDL-3.1 WITH NJOY2012.50+  
protons from (n,x)



31-GA-71 FOR FENDL-3.1 FROM FENDL-3.1 WITH NJOY2012.50+  
deuterons from (n,x)



31-GA-71 FOR FENDL-3.1 FROM FENDL-3.1 WITH NJOY2012.50+  
tritons from (n,x)



31-GA-71 FOR FENDL-3.1 FROM FENDL-3.1 WITH NJOY2012.50+  
alphas from (n,x)

