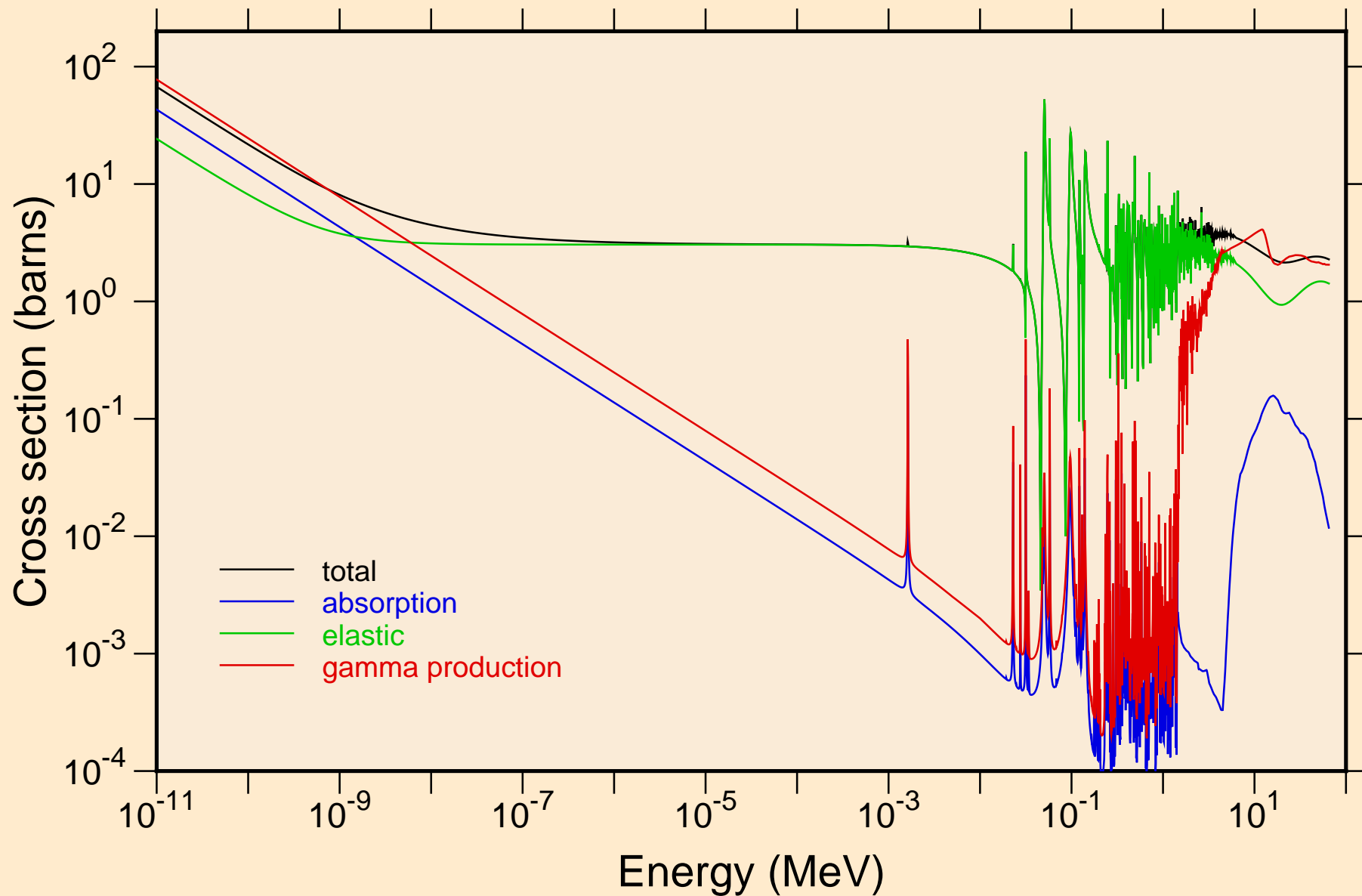
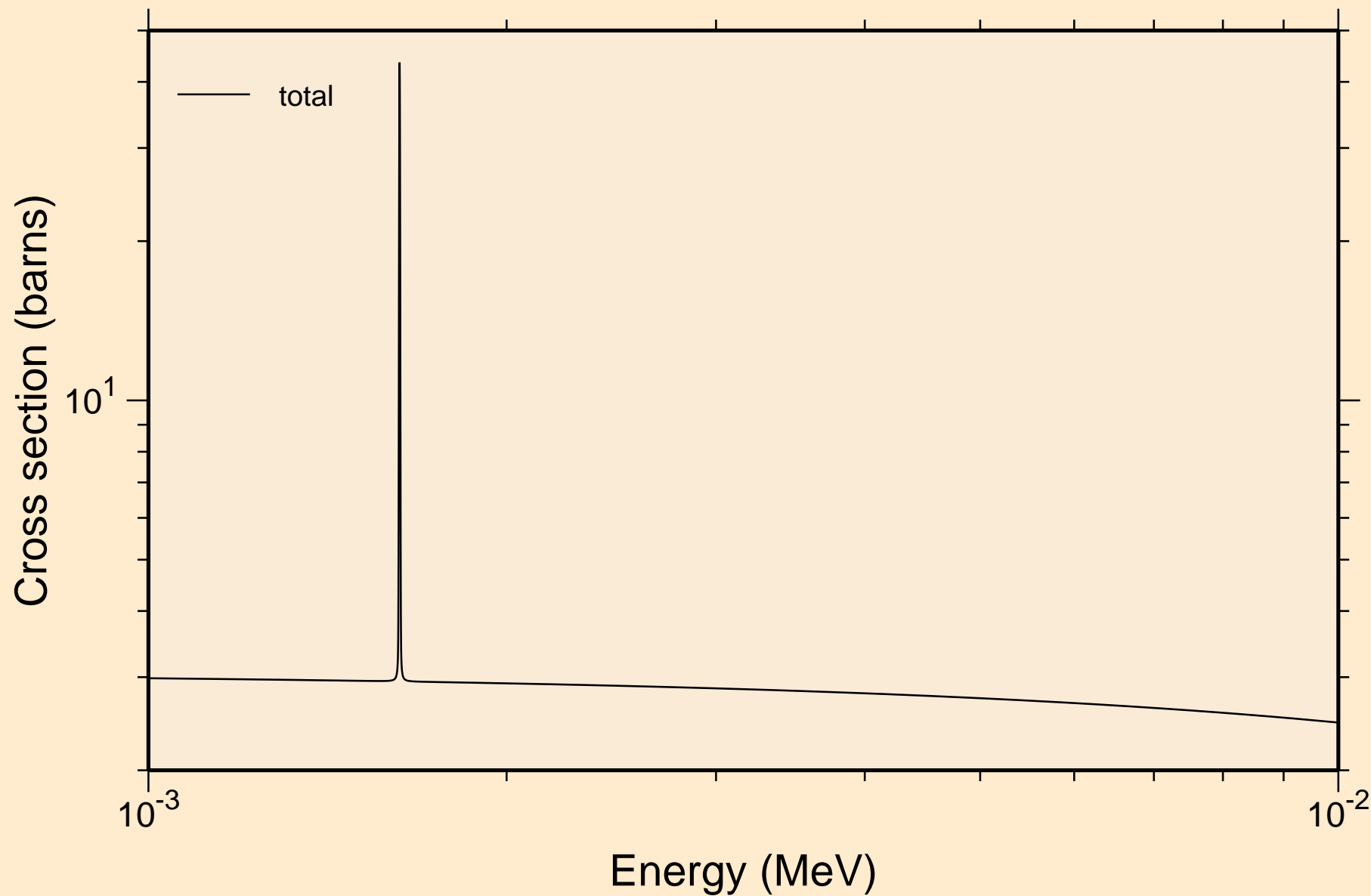


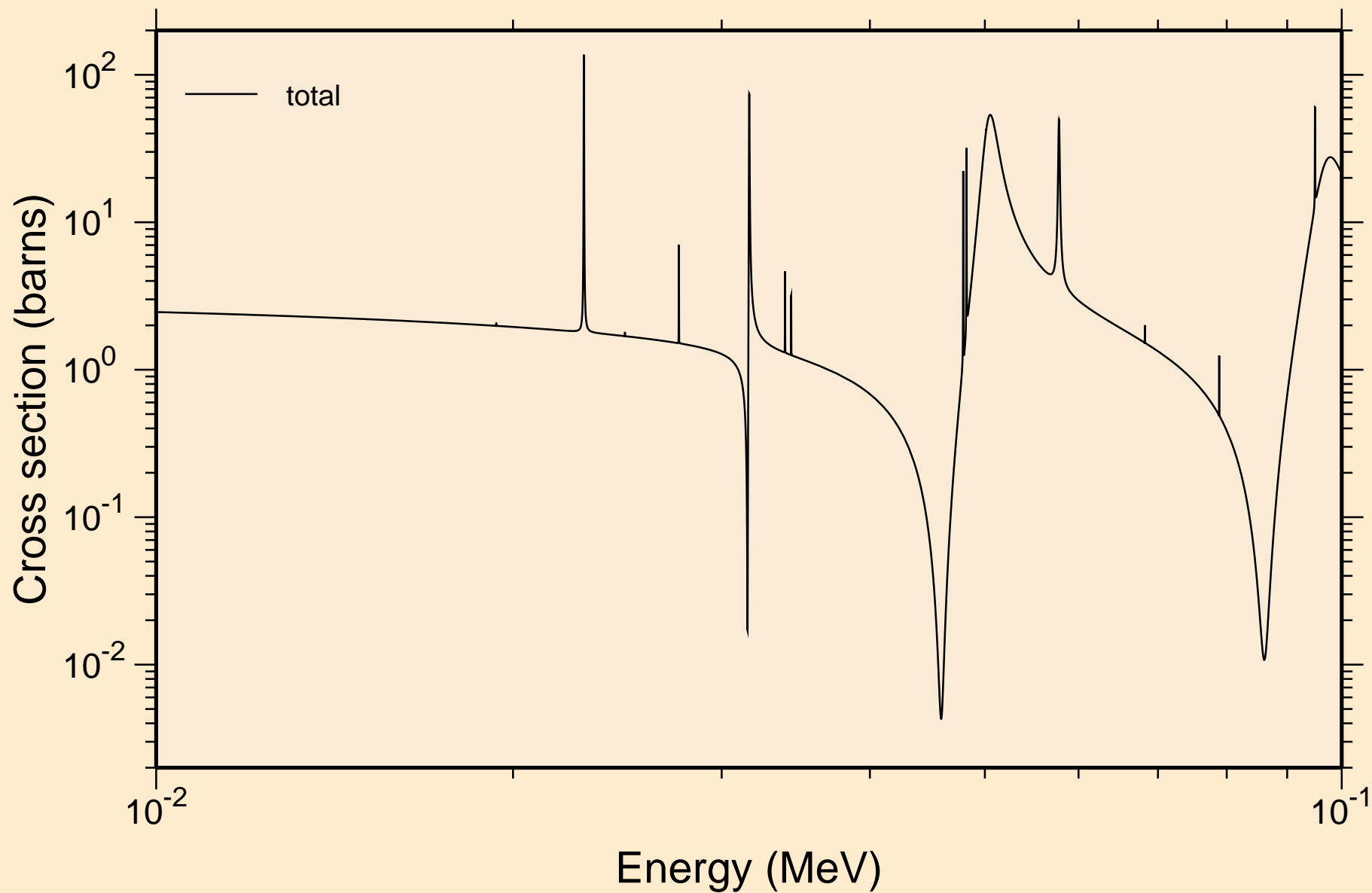
24-CR-52 FOR FENDL-3.2 FROM INDEN-1.0 BY NJOY2016.60+ OI
Principal cross sections



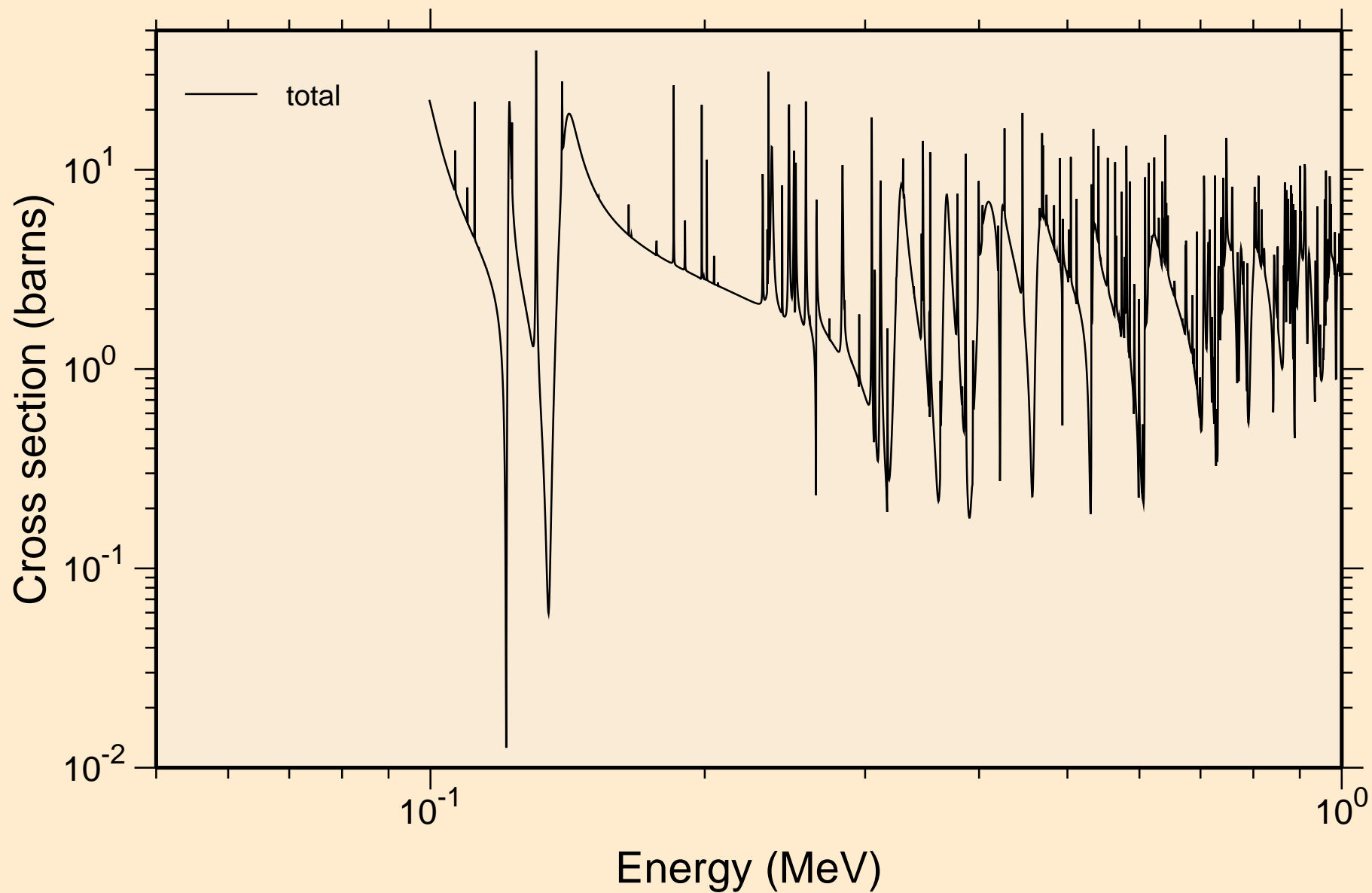
24-CR-52 FOR FENDL-3.2 FROM INDEN-1.0 BY NJOY2016.60+ OI
resonance total cross section



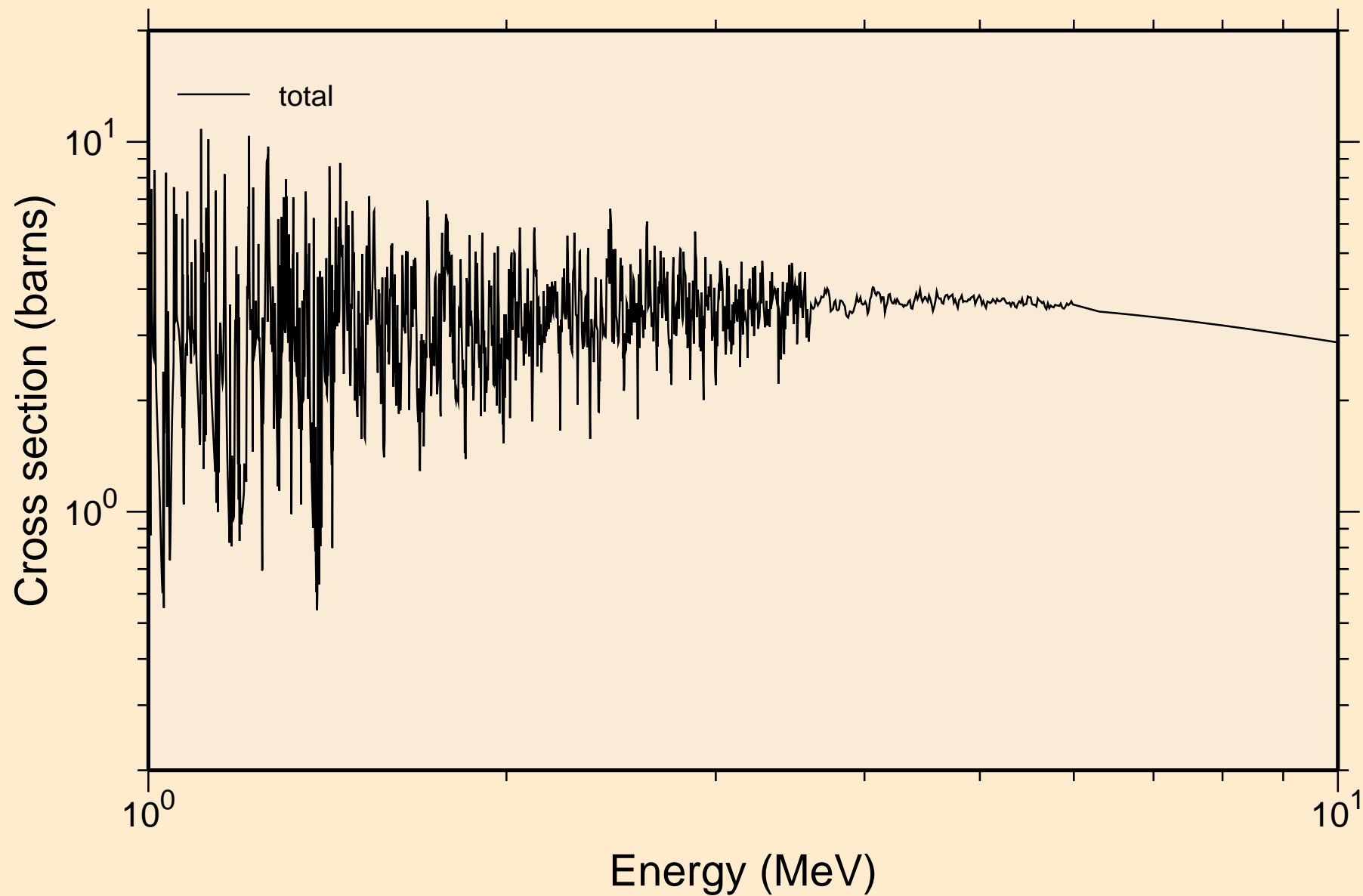
24-CR-52 FOR FENDL-3.2 FROM INDEN-1.0 BY NJOY2016.60+ OI
resonance total cross section



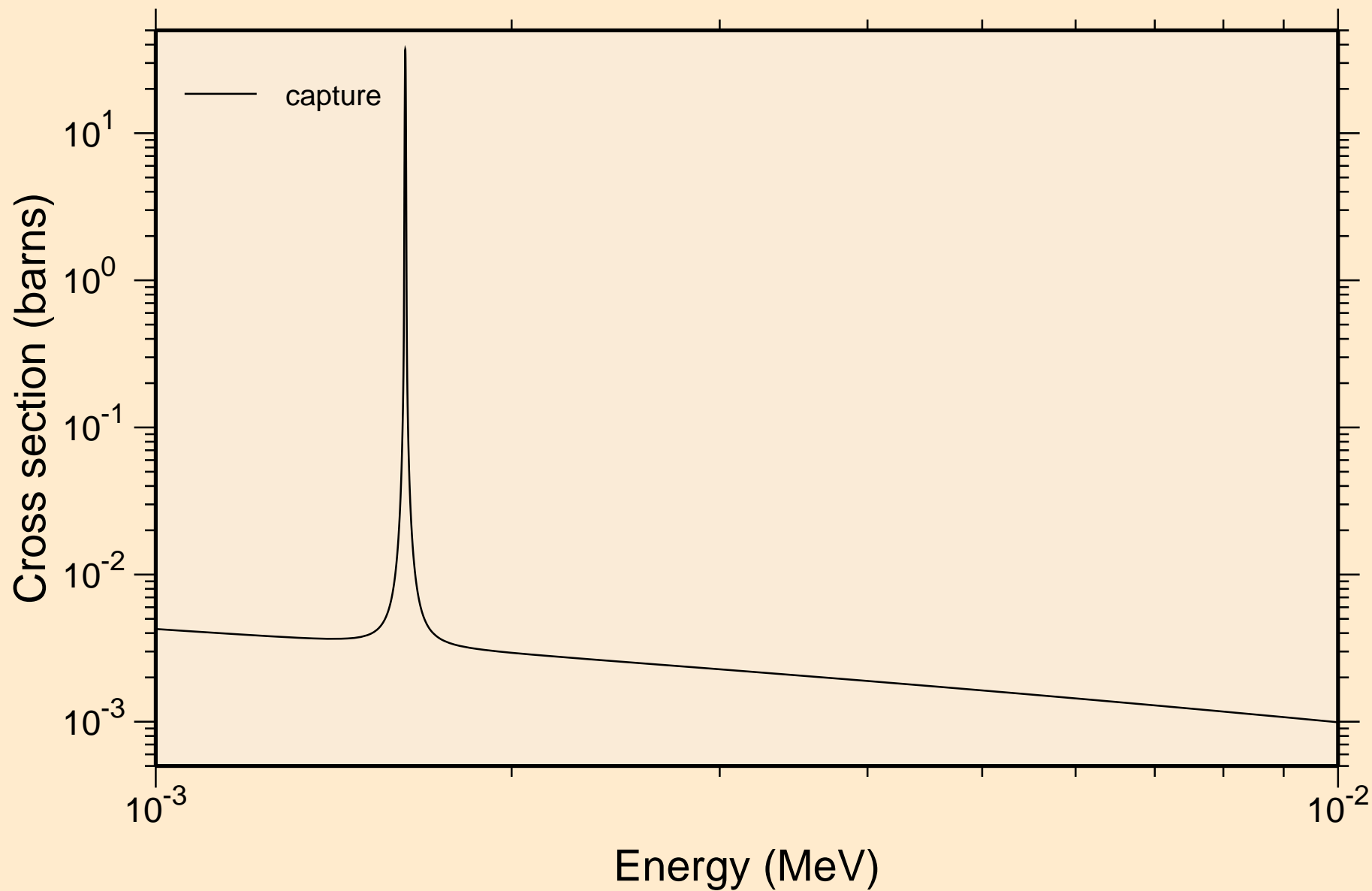
24-CR-52 FOR FENDL-3.2 FROM INDEN-1.0 BY NJOY2016.60+ OI
resonance total cross section



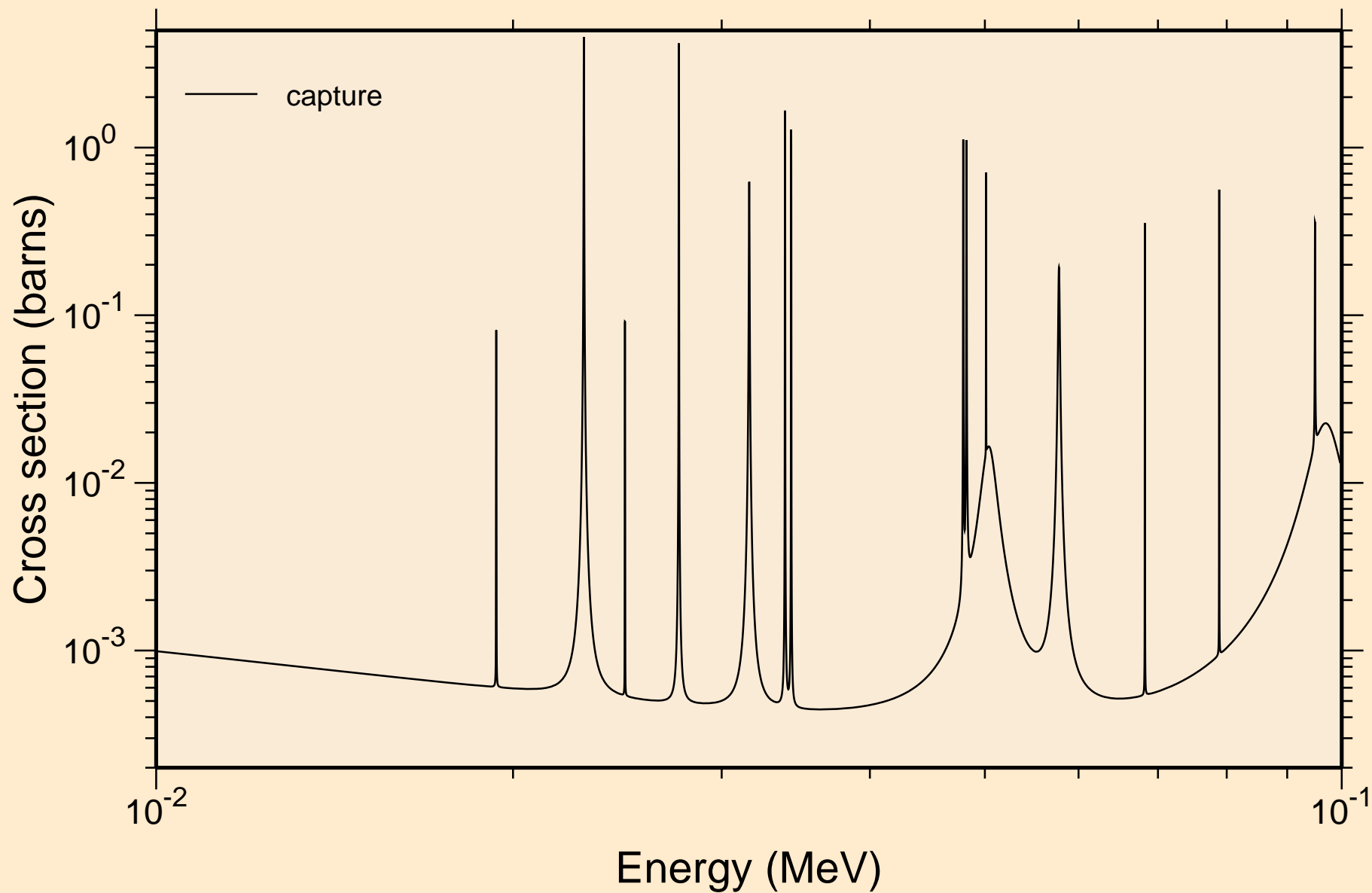
24-CR-52 FOR FENDL-3.2 FROM INDEN-1.0 BY NJOY2016.60+ OI
resonance total cross section



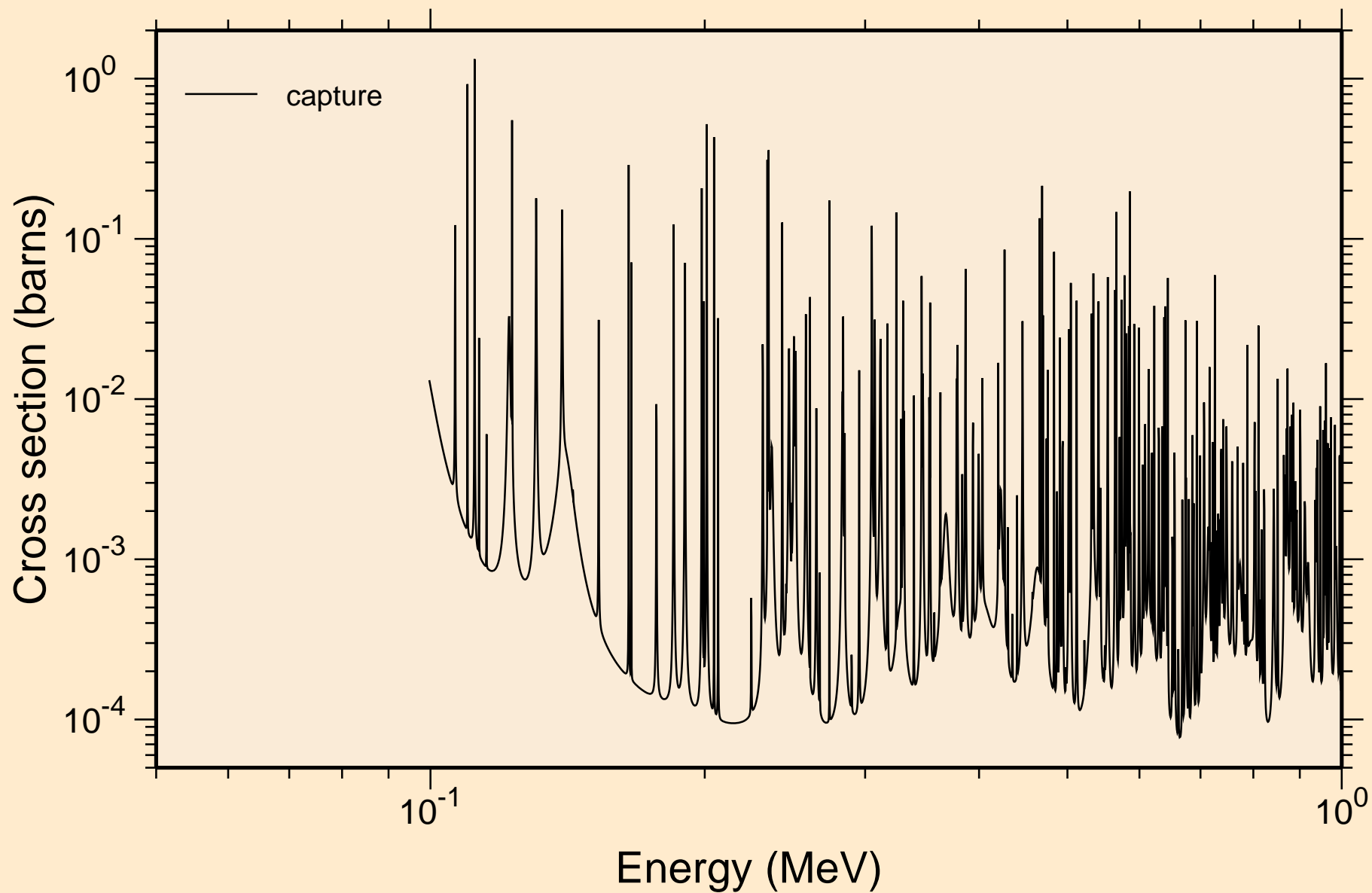
24-CR-52 FOR FENDL-3.2 FROM INDEN-1.0 BY NJOY2016.60+ OI
resonance absorption cross sections



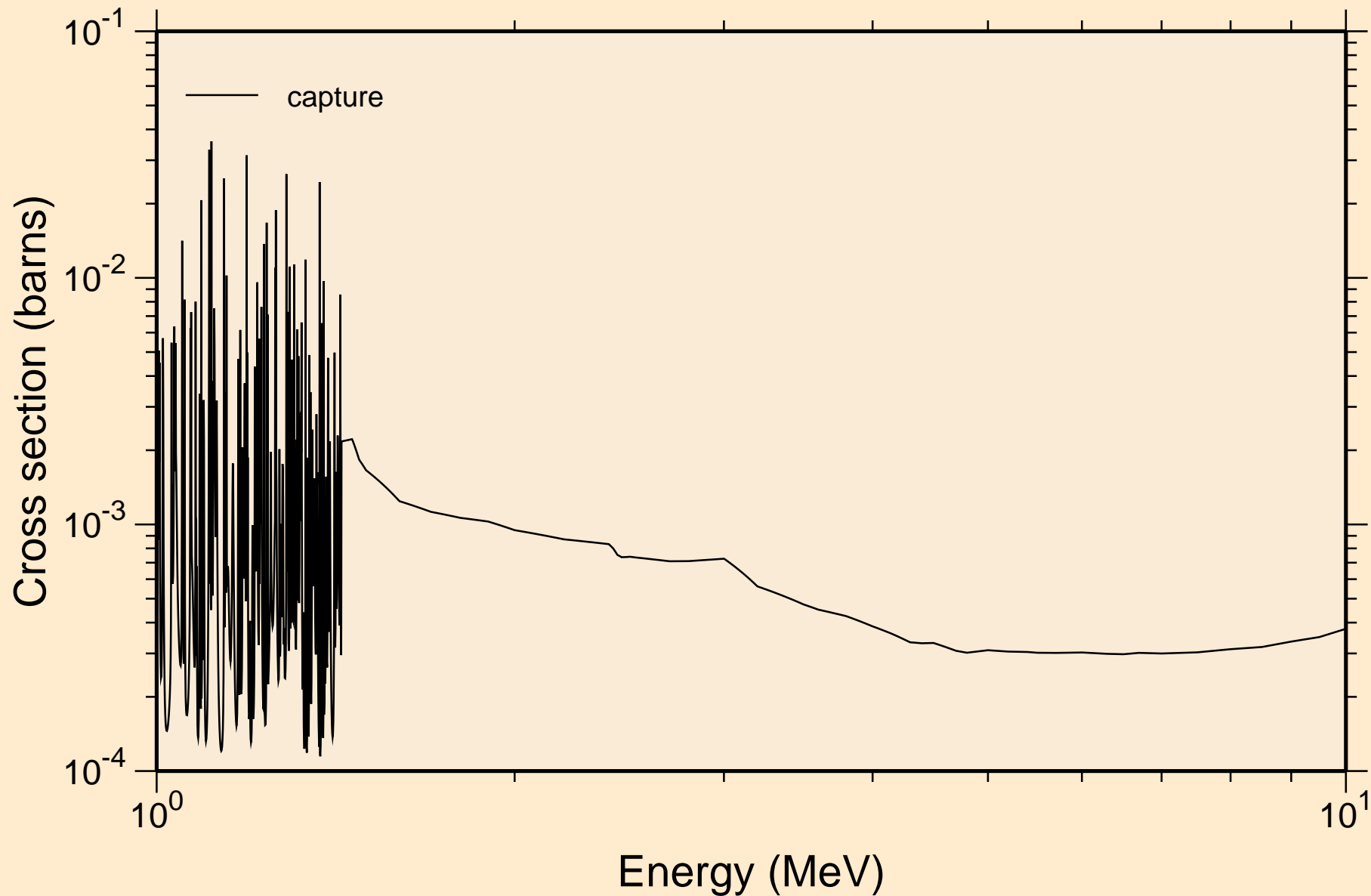
24-CR-52 FOR FENDL-3.2 FROM INDEN-1.0 BY NJOY2016.60+ OI
resonance absorption cross sections



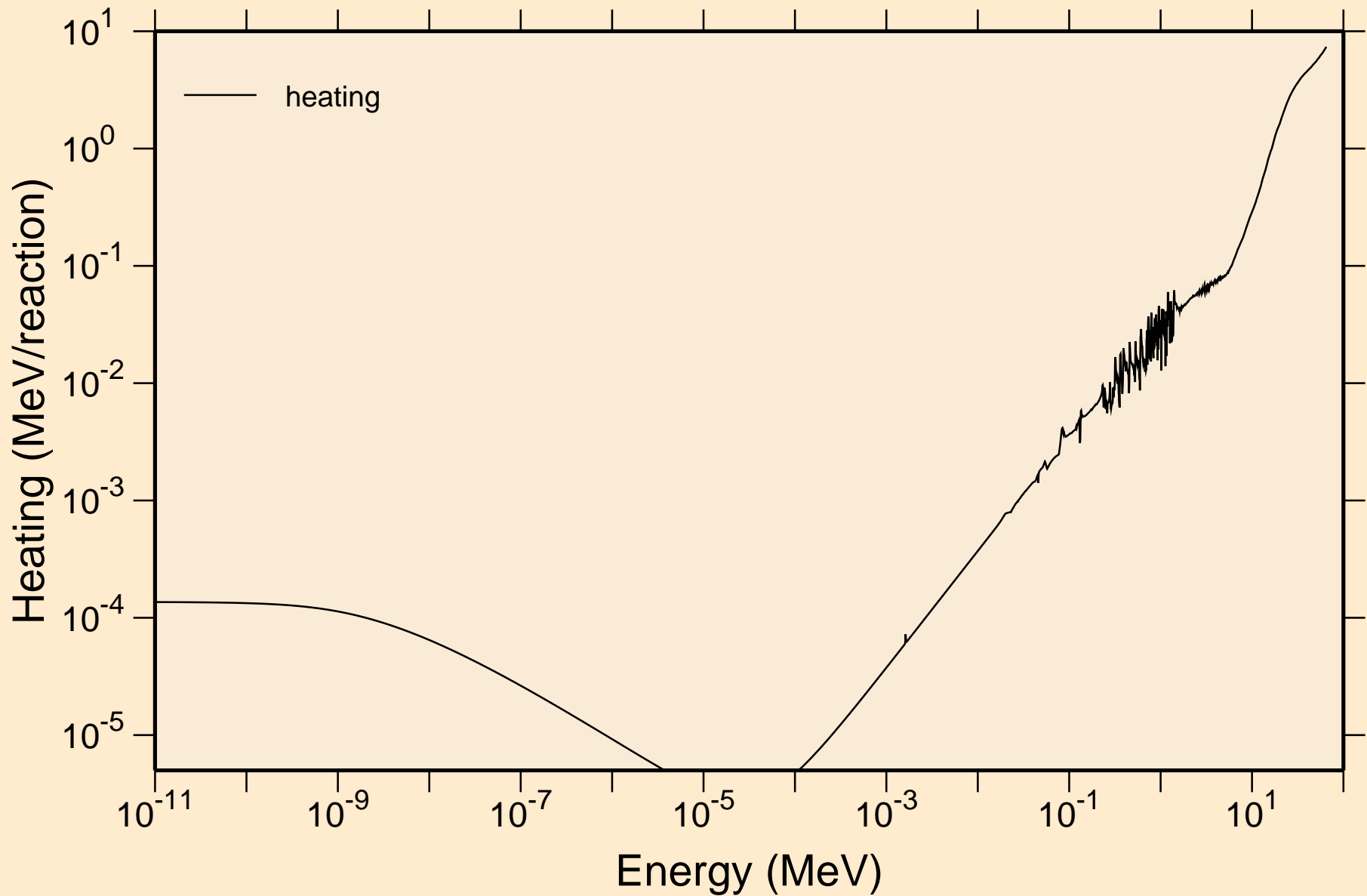
24-CR-52 FOR FENDL-3.2 FROM INDEN-1.0 BY NJOY2016.60+ OI
resonance absorption cross sections



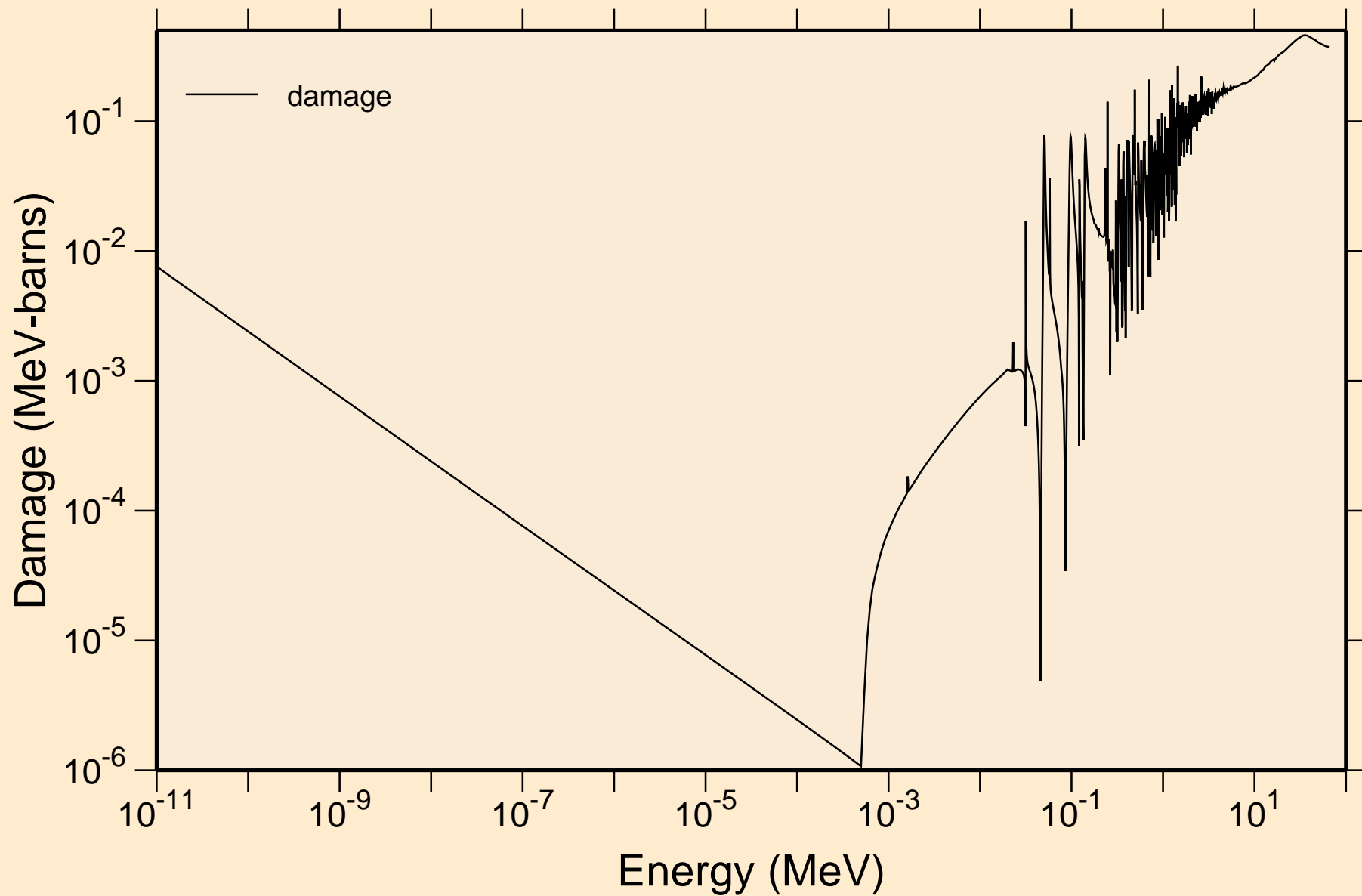
24-CR-52 FOR FENDL-3.2 FROM INDEN-1.0 BY NJOY2016.60+ OI
resonance absorption cross sections



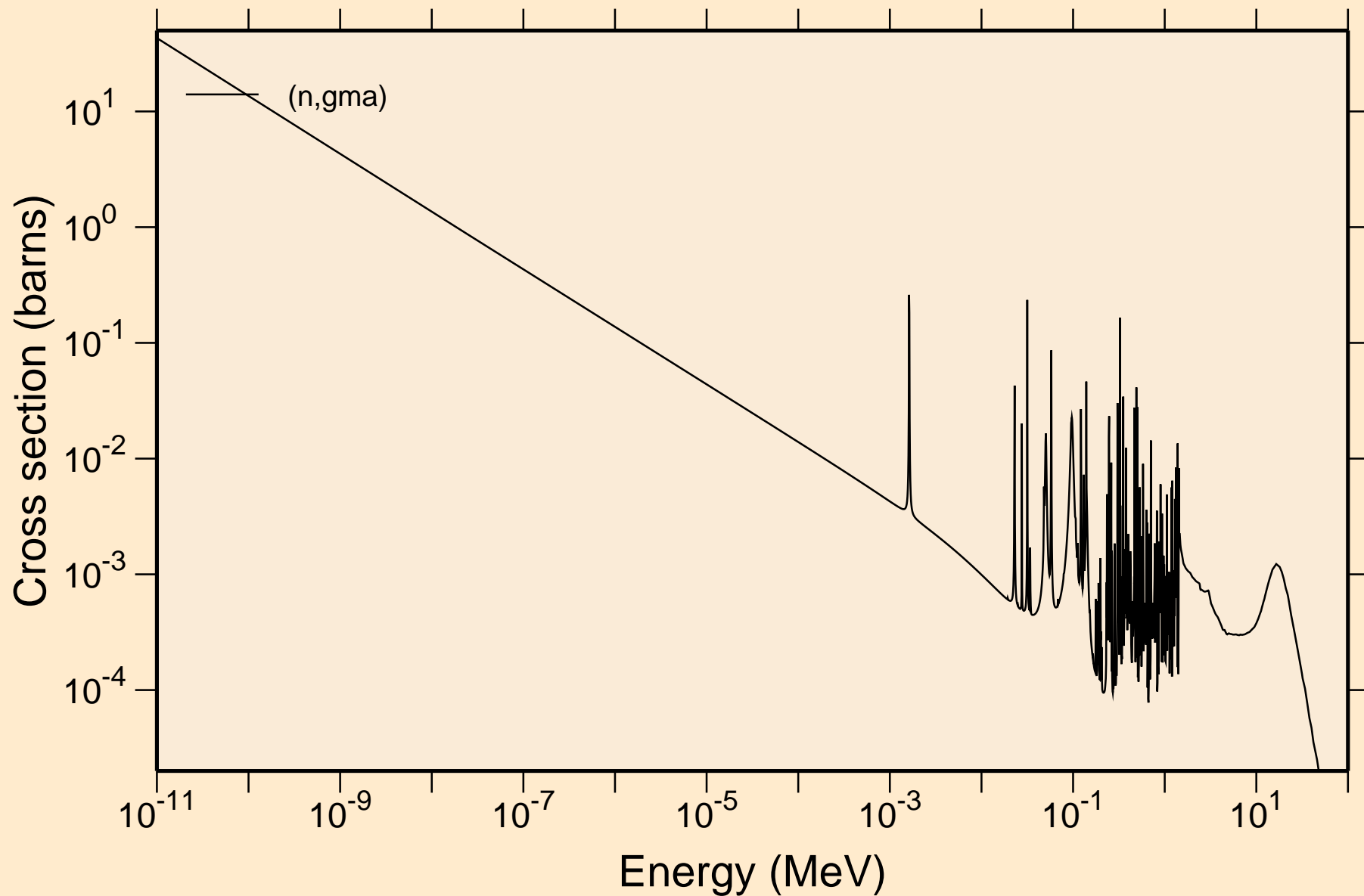
24-CR-52 FOR FENDL-3.2 FROM INDEN-1.0 BY NJOY2016.60+ OI Heating



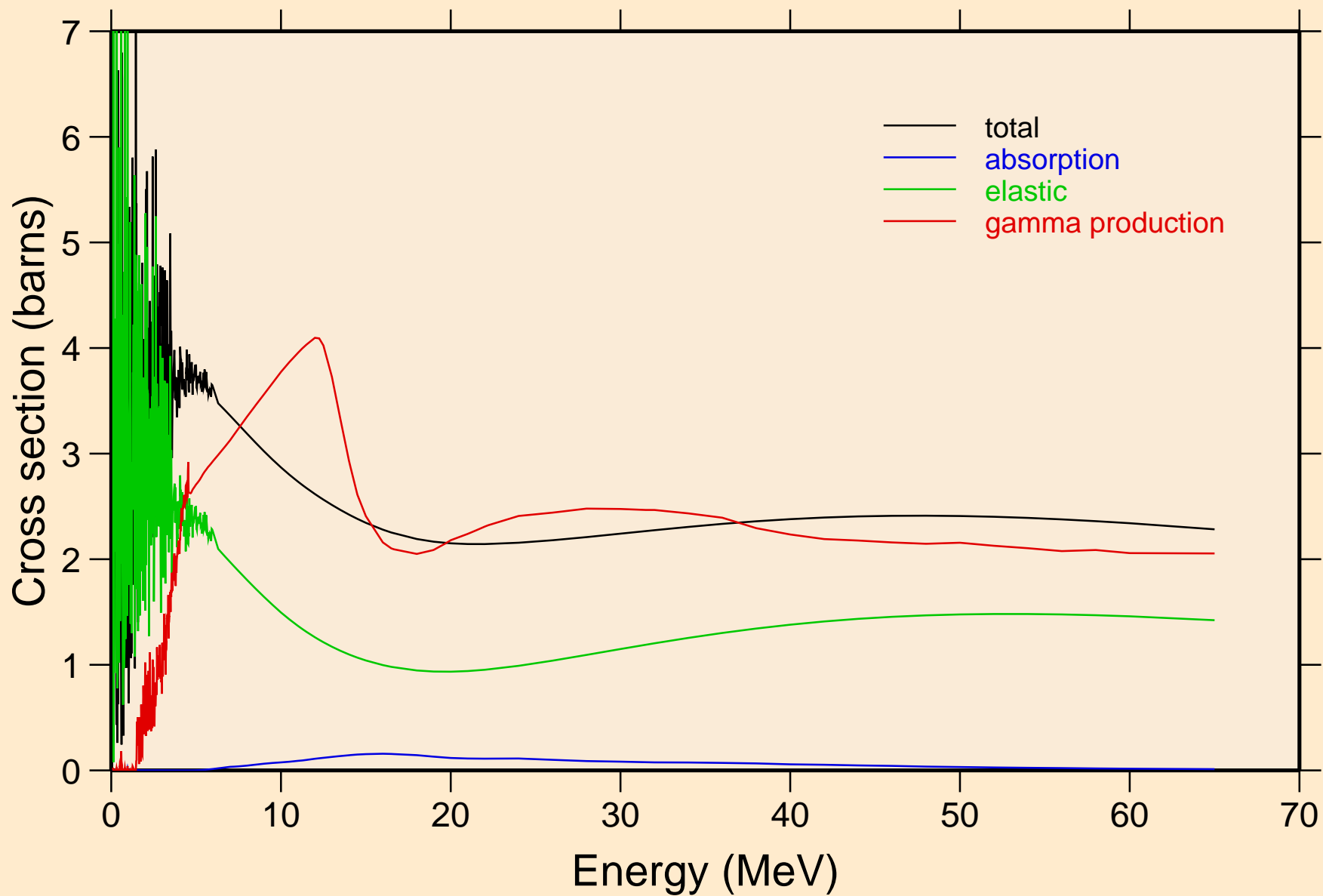
24-CR-52 FOR FENDL-3.2 FROM INDEN-1.0 BY NJOY2016.60+ OI Damage



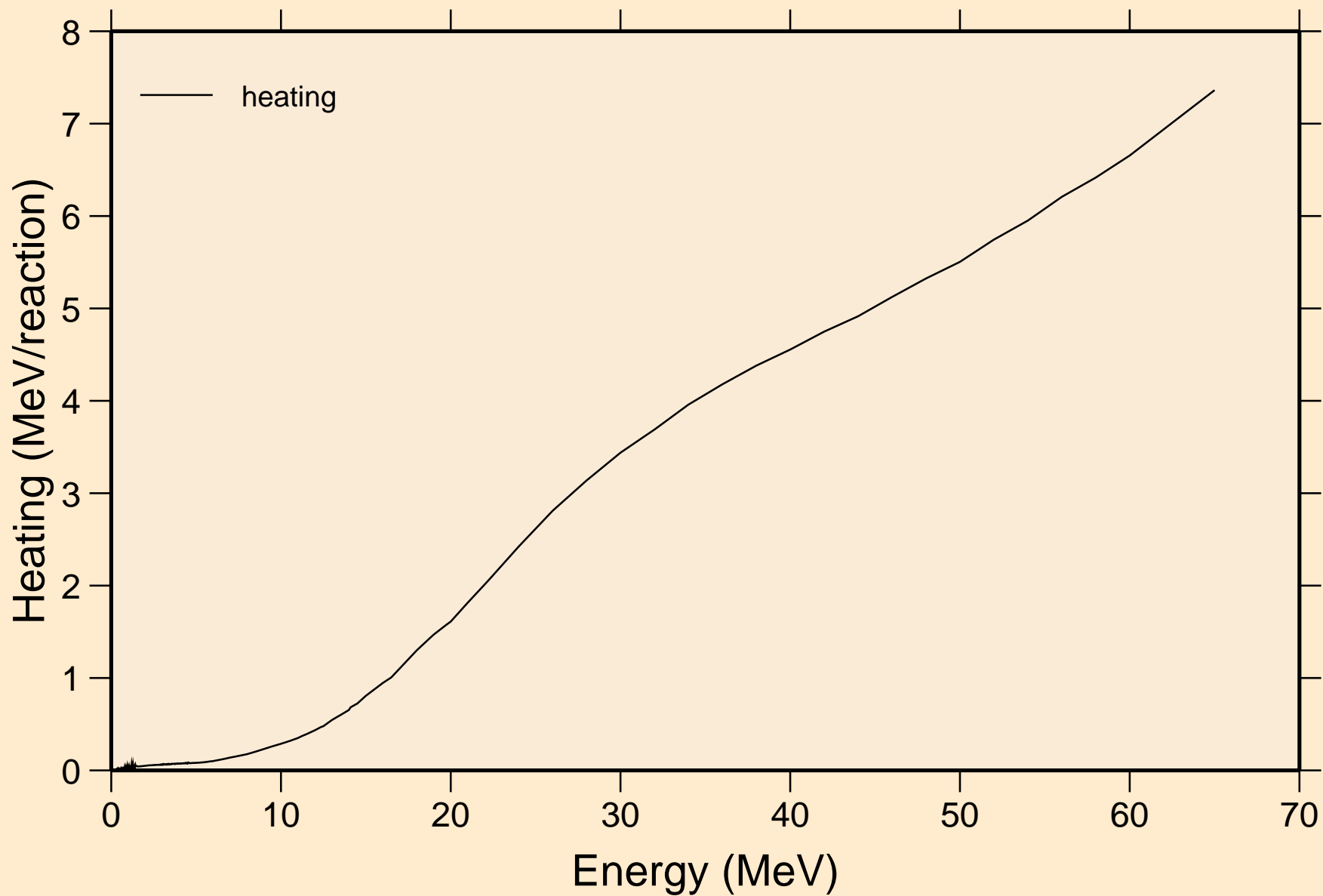
24-CR-52 FOR FENDL-3.2 FROM INDEN-1.0 BY NJOY2016.60+ OI
Non-threshold reactions



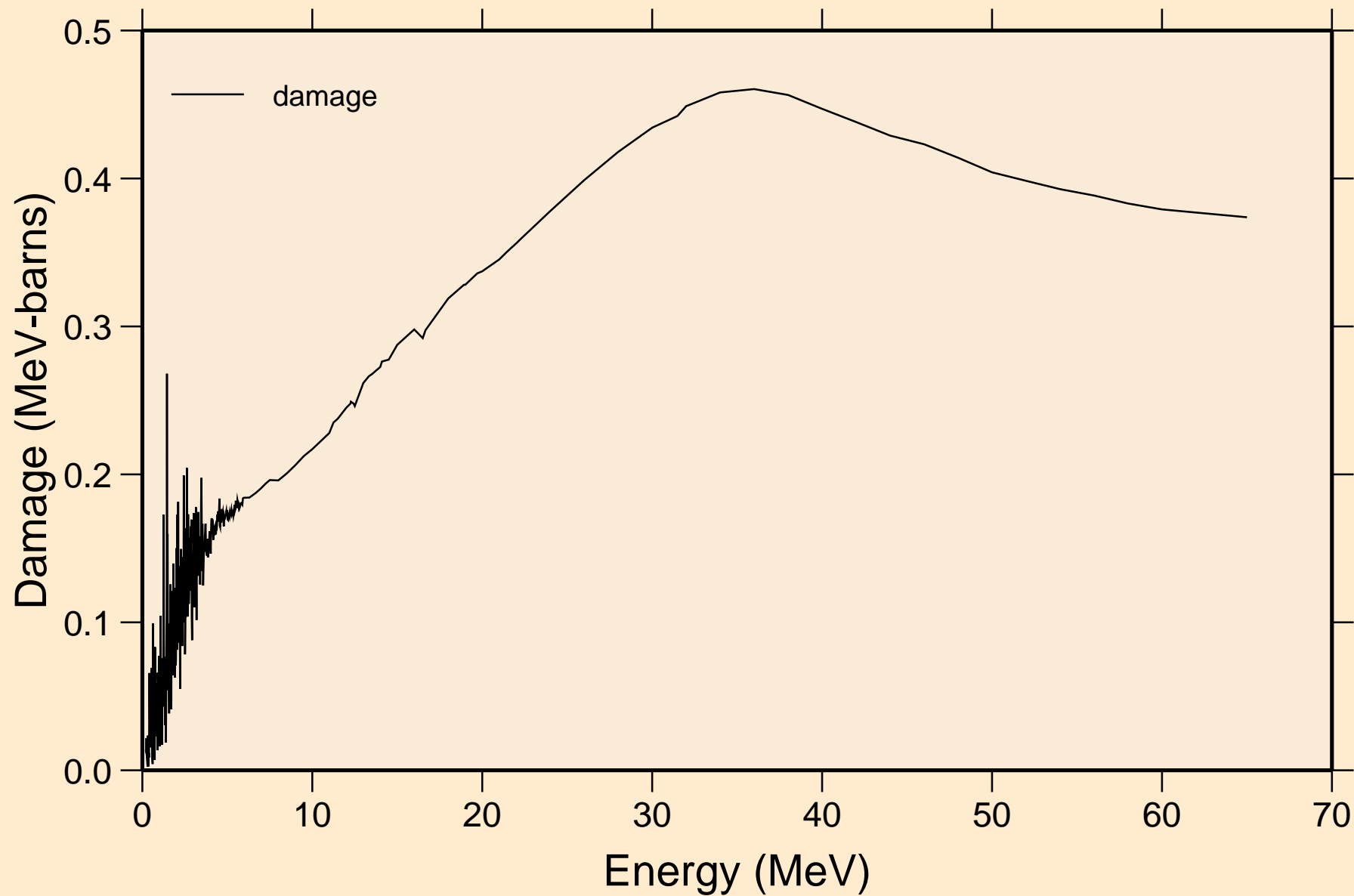
24-CR-52 FOR FENDL-3.2 FROM INDEN-1.0 BY NJOY2016.60+ OI
Principal cross sections



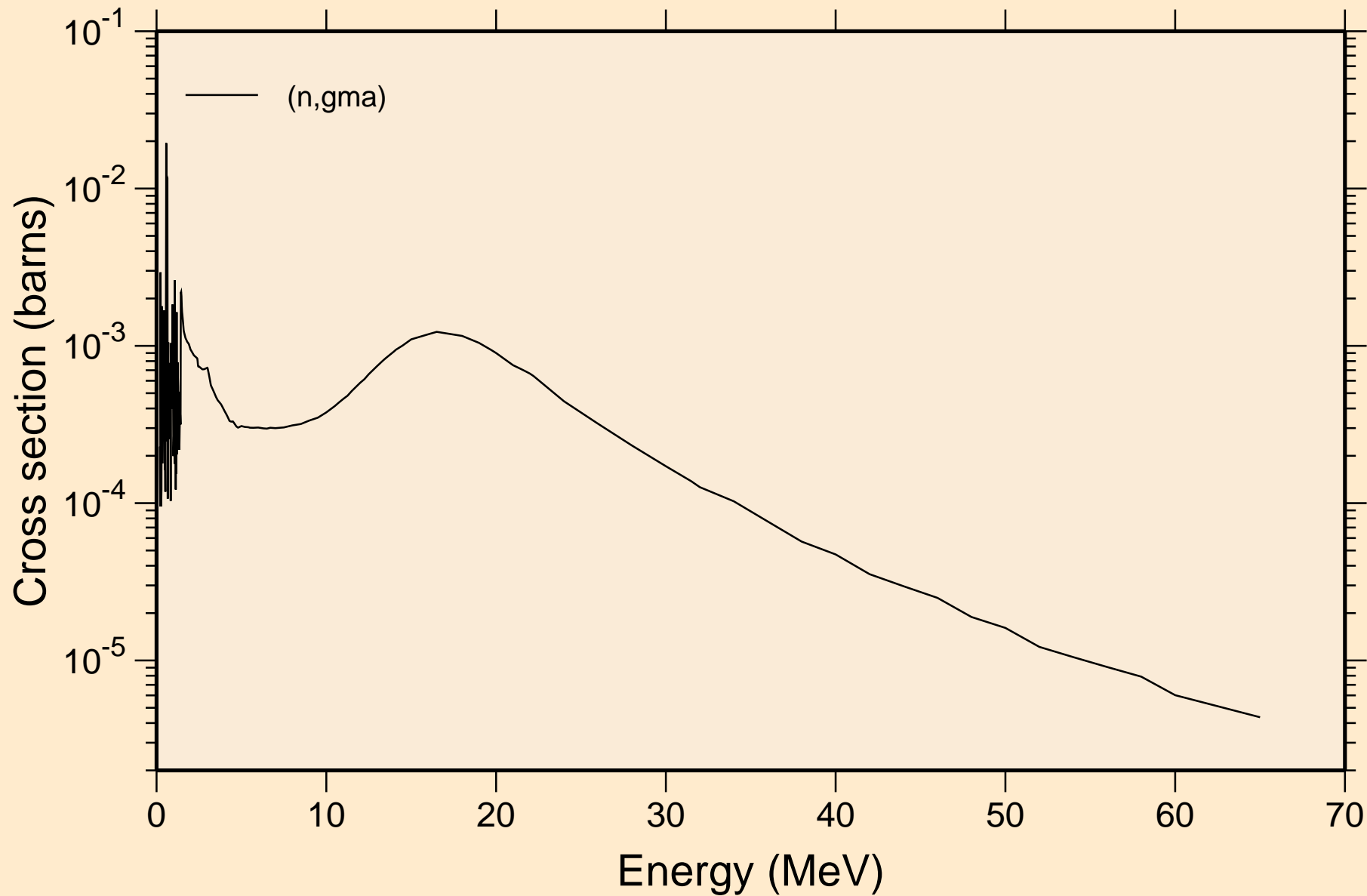
24-CR-52 FOR FENDL-3.2 FROM INDEN-1.0 BY NJOY2016.60+ OI Heating



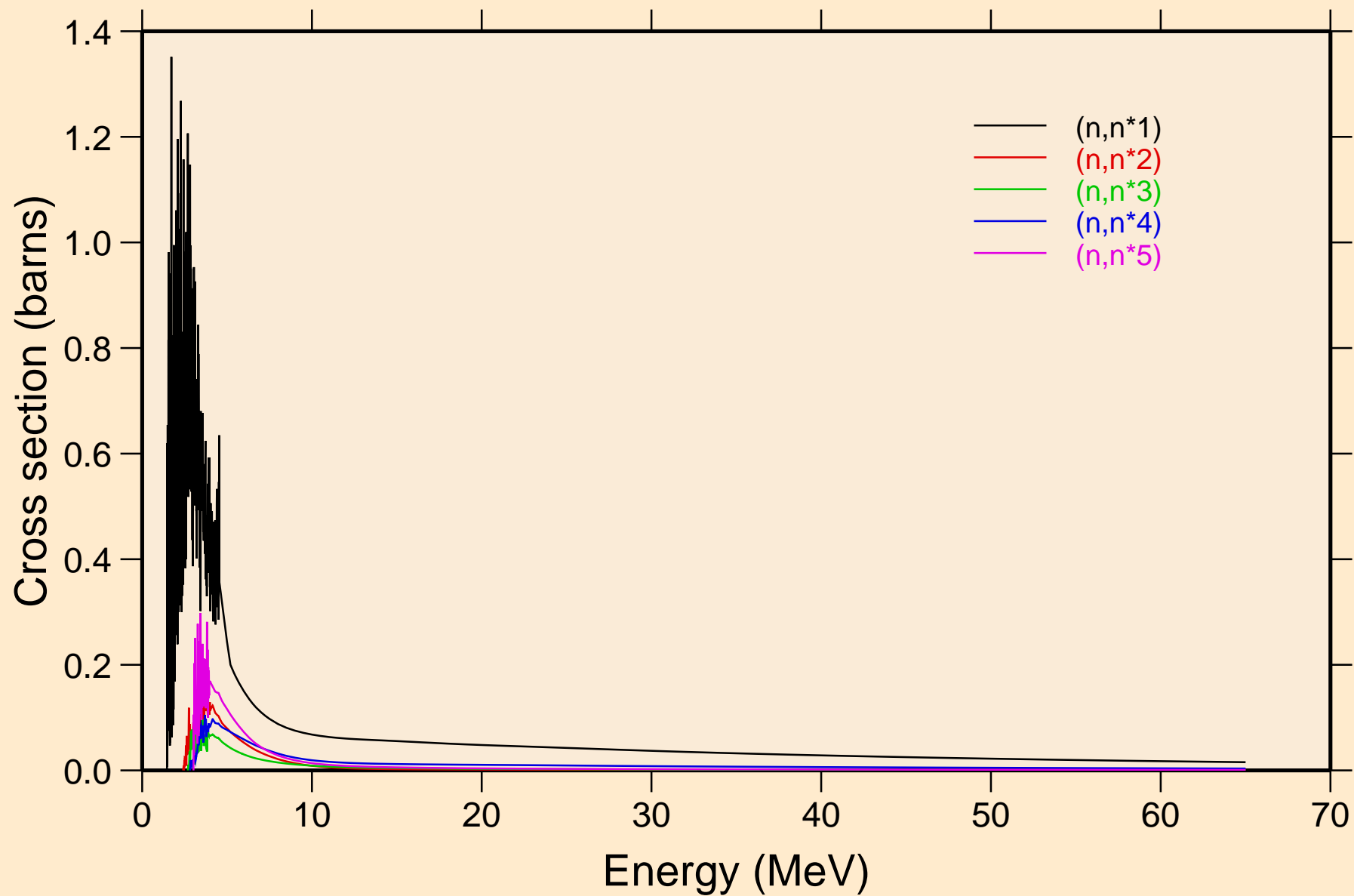
24-CR-52 FOR FENDL-3.2 FROM INDEN-1.0 BY NJOY2016.60+ OI Damage



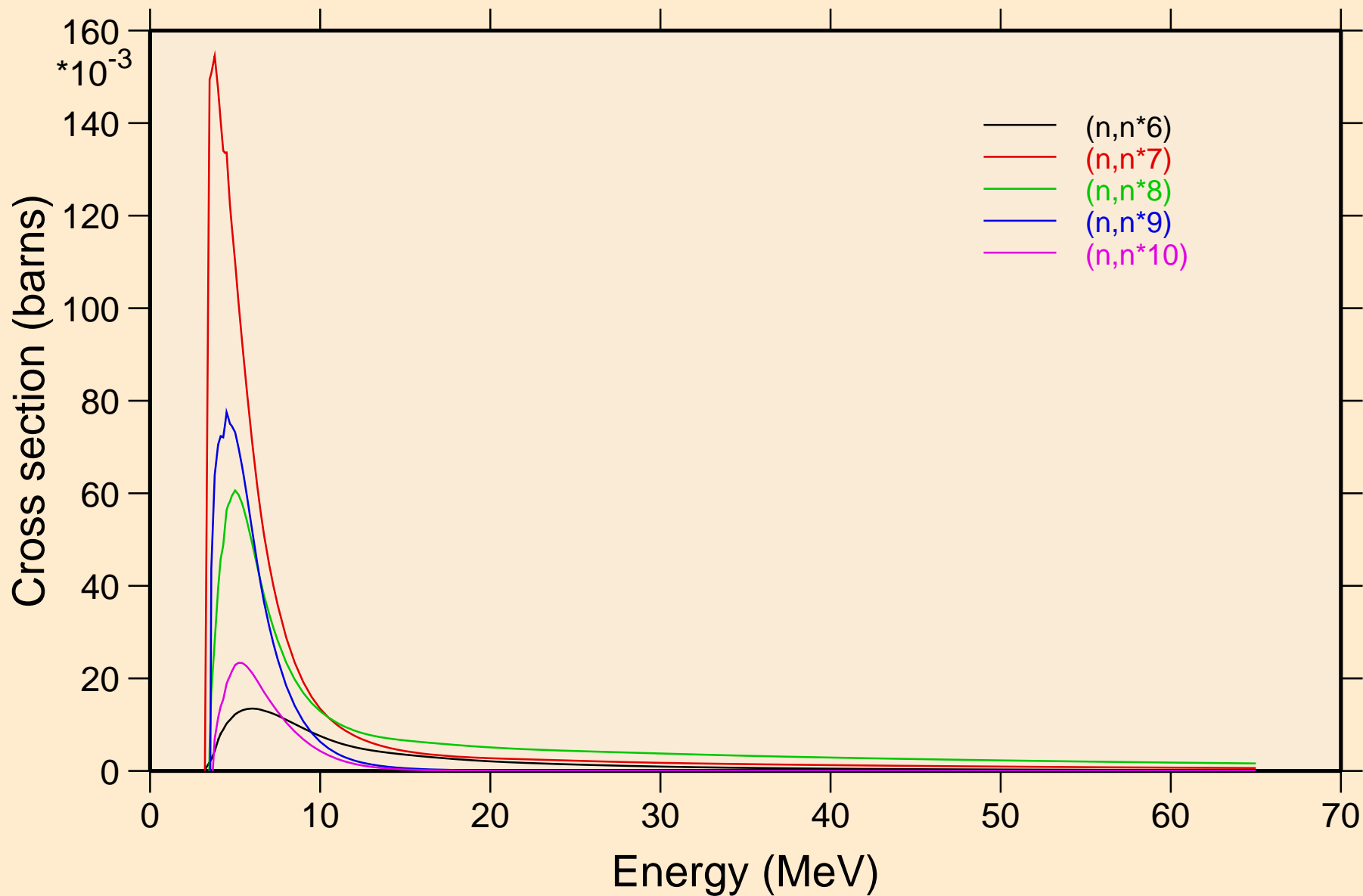
24-CR-52 FOR FENDL-3.2 FROM INDEN-1.0 BY NJOY2016.60+ OI
Non-threshold reactions



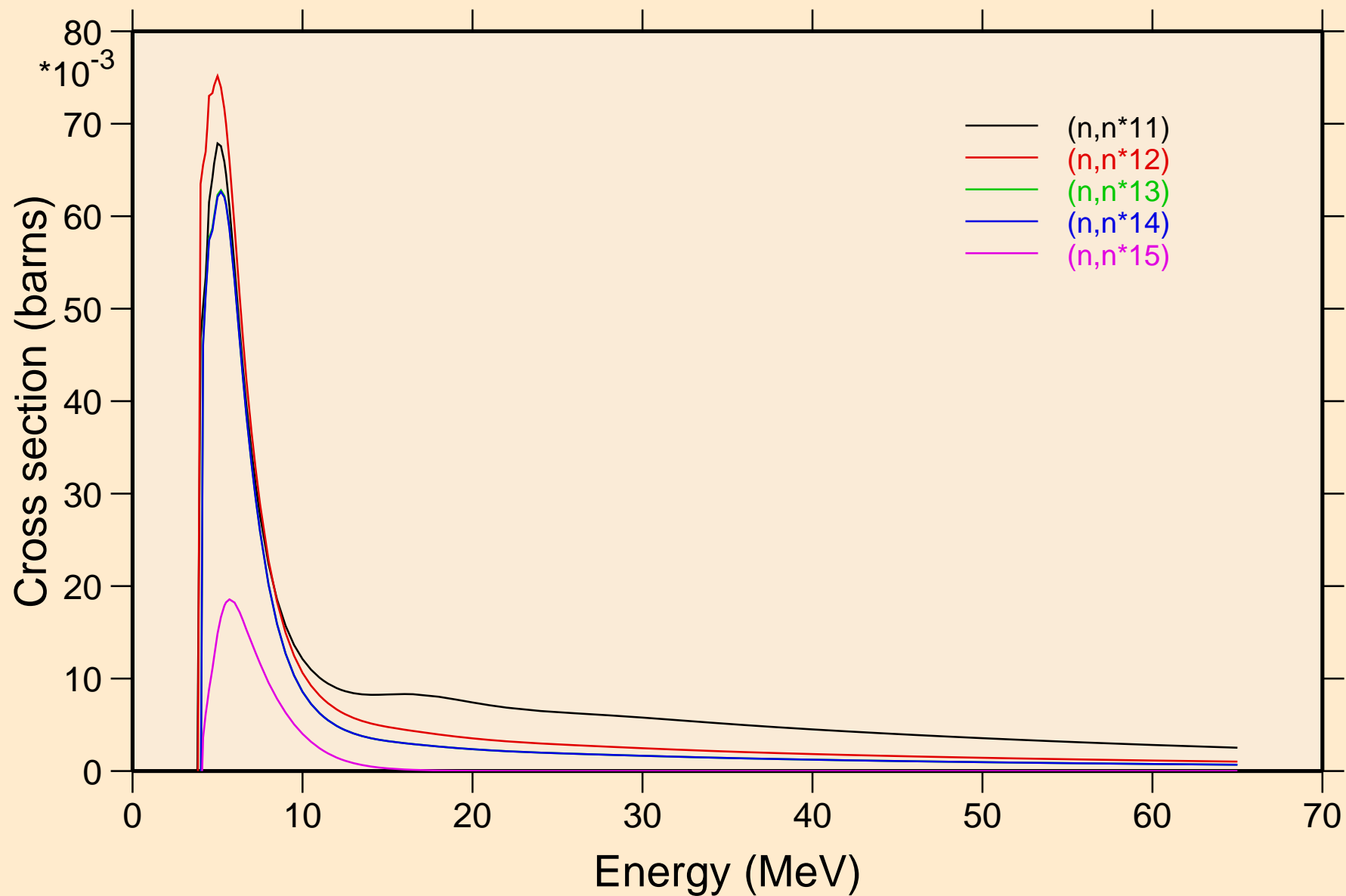
24-CR-52 FOR FENDL-3.2 FROM INDEN-1.0 BY NJOY2016.60+ OI
Inelastic levels



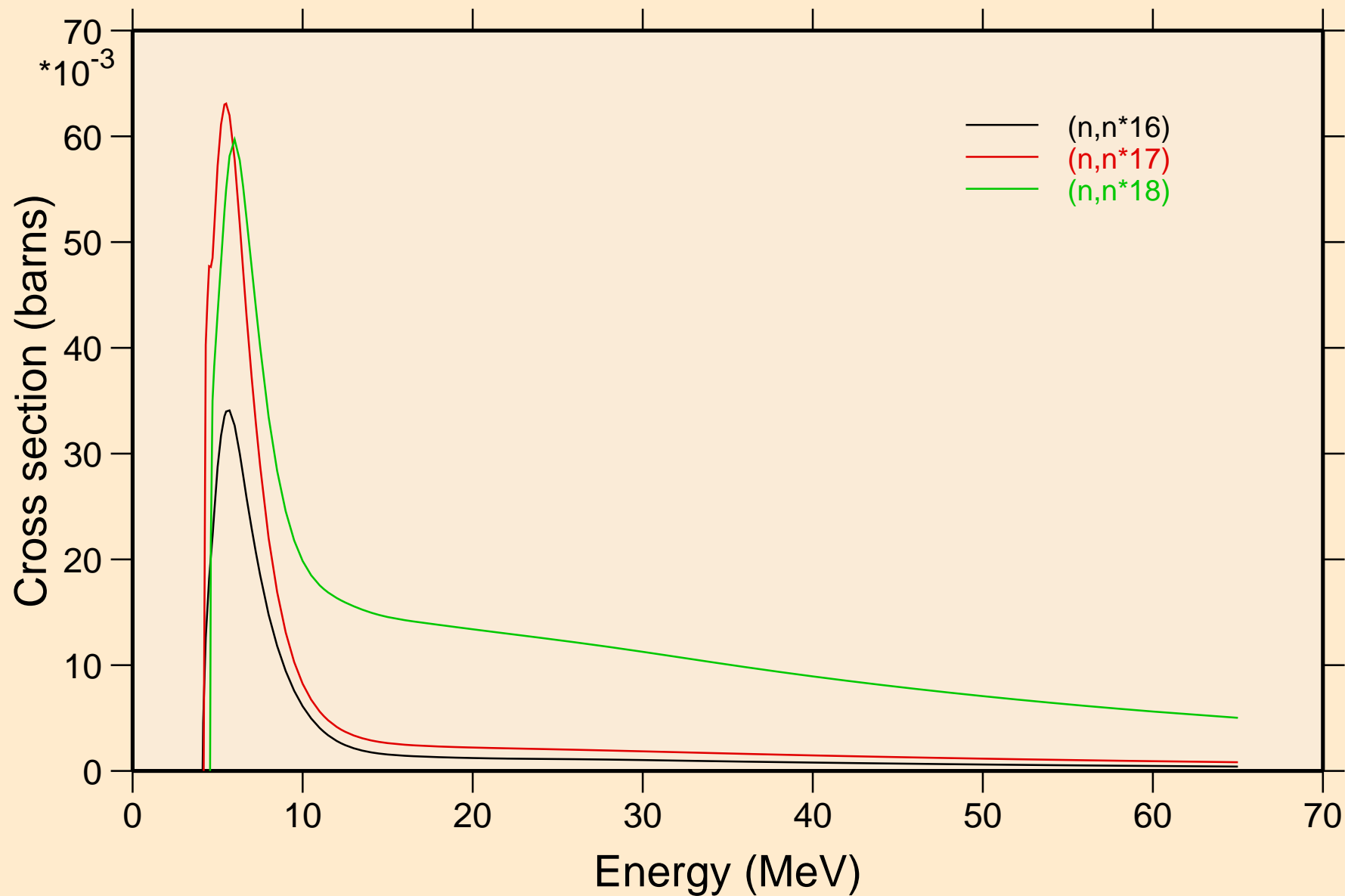
24-CR-52 FOR FENDL-3.2 FROM INDEN-1.0 BY NJOY2016.60+ OI Inelastic levels



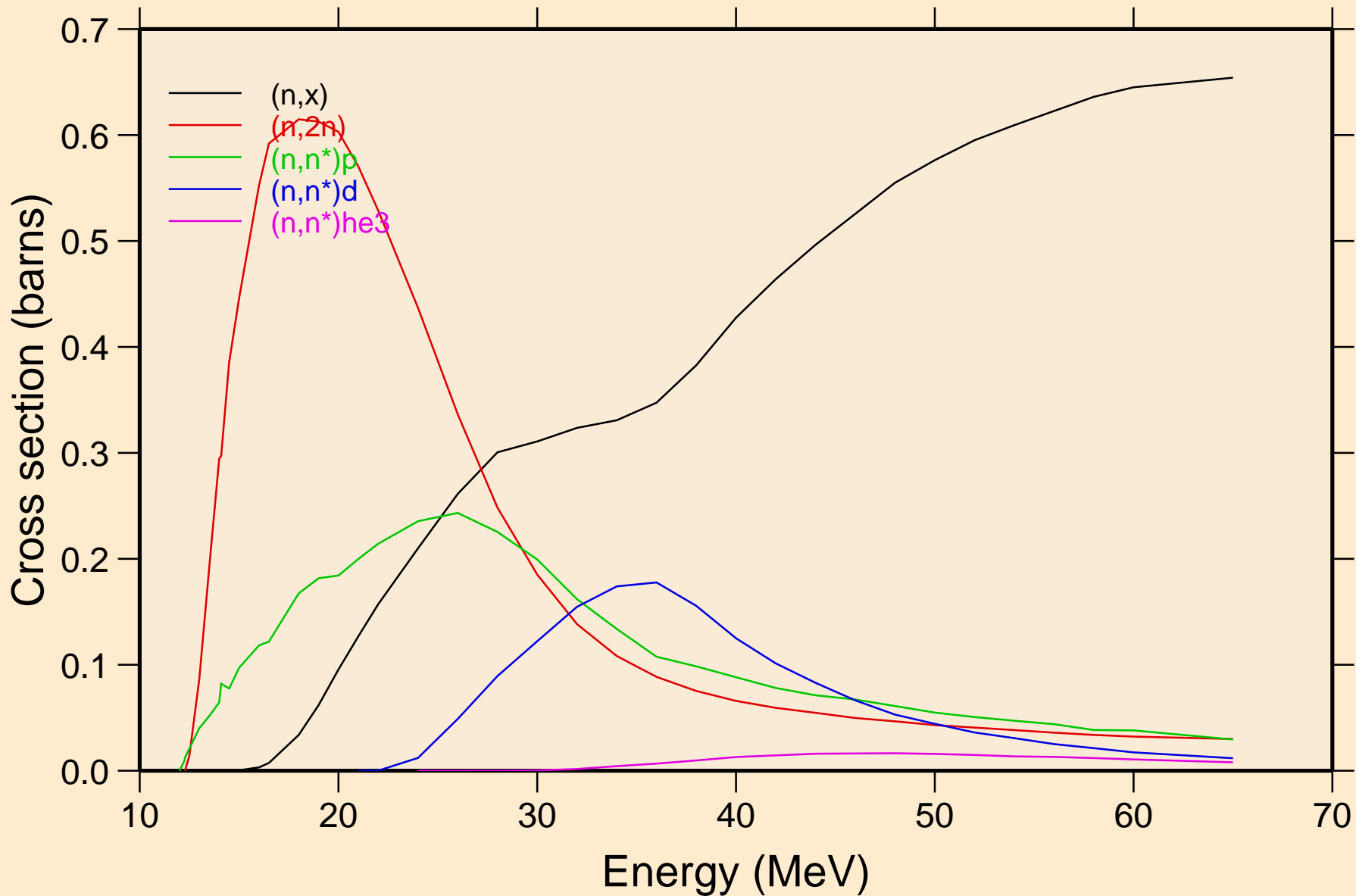
24-CR-52 FOR FENDL-3.2 FROM INDEN-1.0 BY NJOY2016.60+ OI Inelastic levels



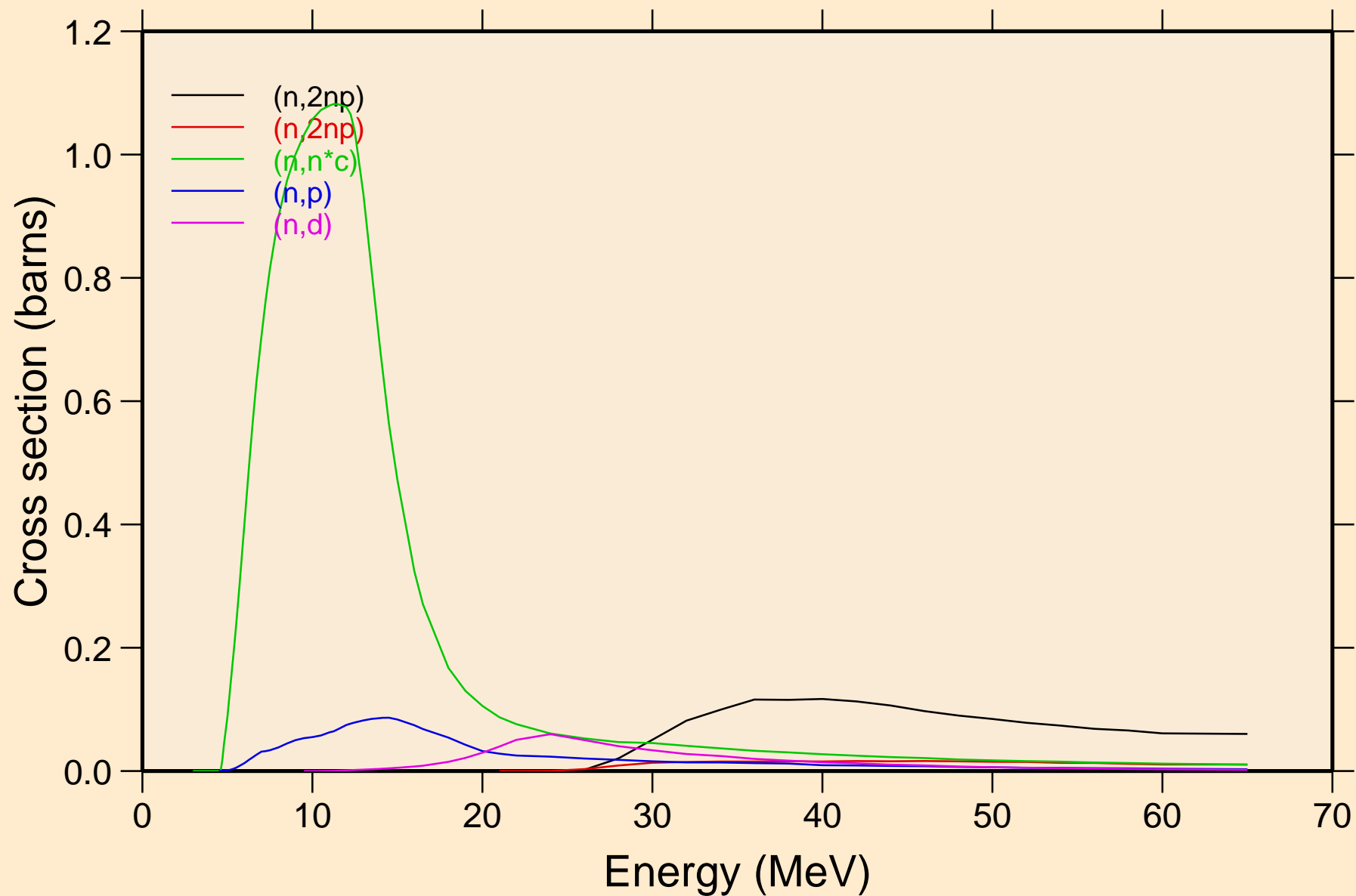
24-CR-52 FOR FENDL-3.2 FROM INDEN-1.0 BY NJOY2016.60+ OI Inelastic levels



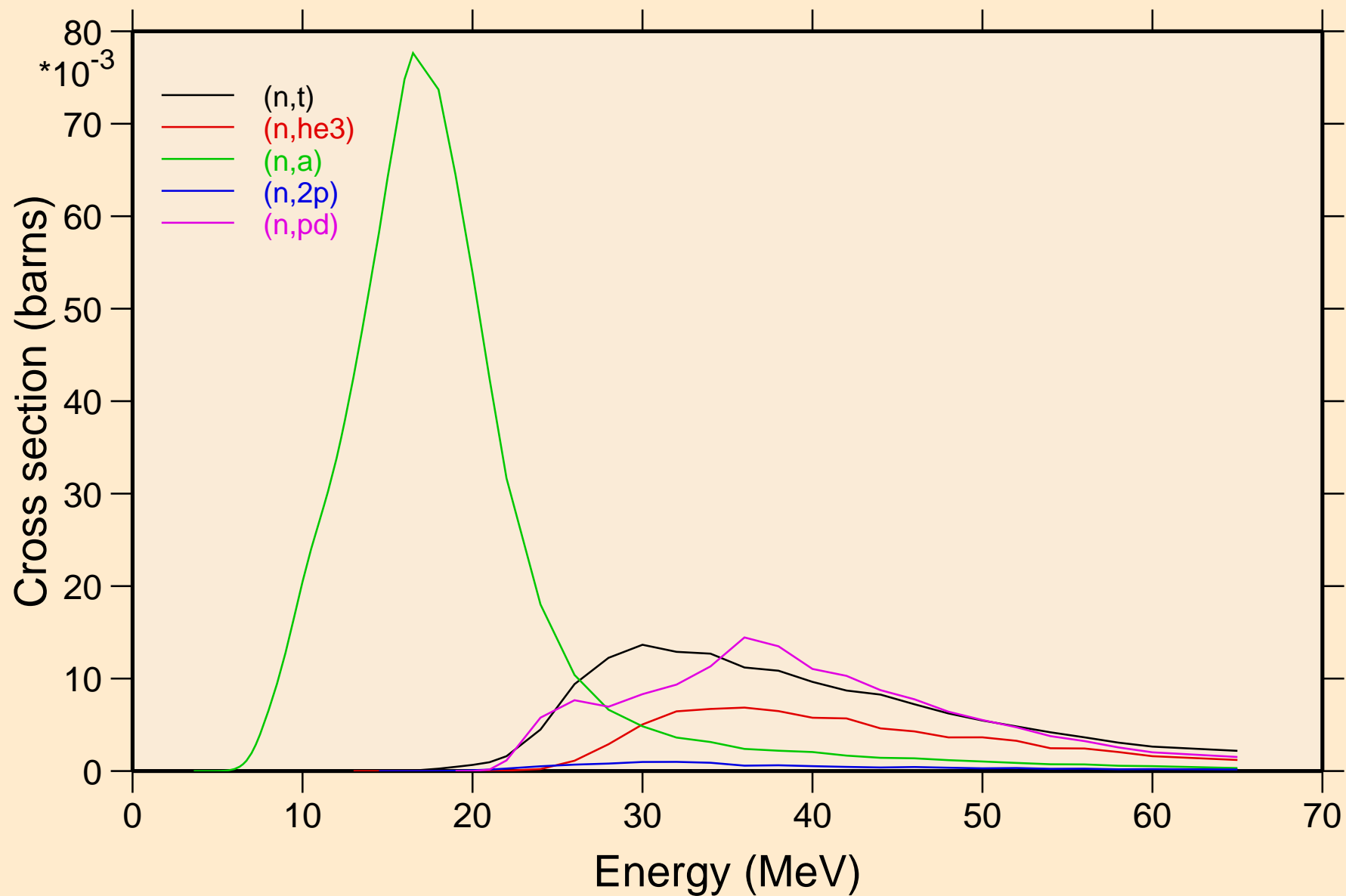
24-CR-52 FOR FENDL-3.2 FROM INDEN-1.0 BY NJOY2016.60+ OI
Threshold reactions



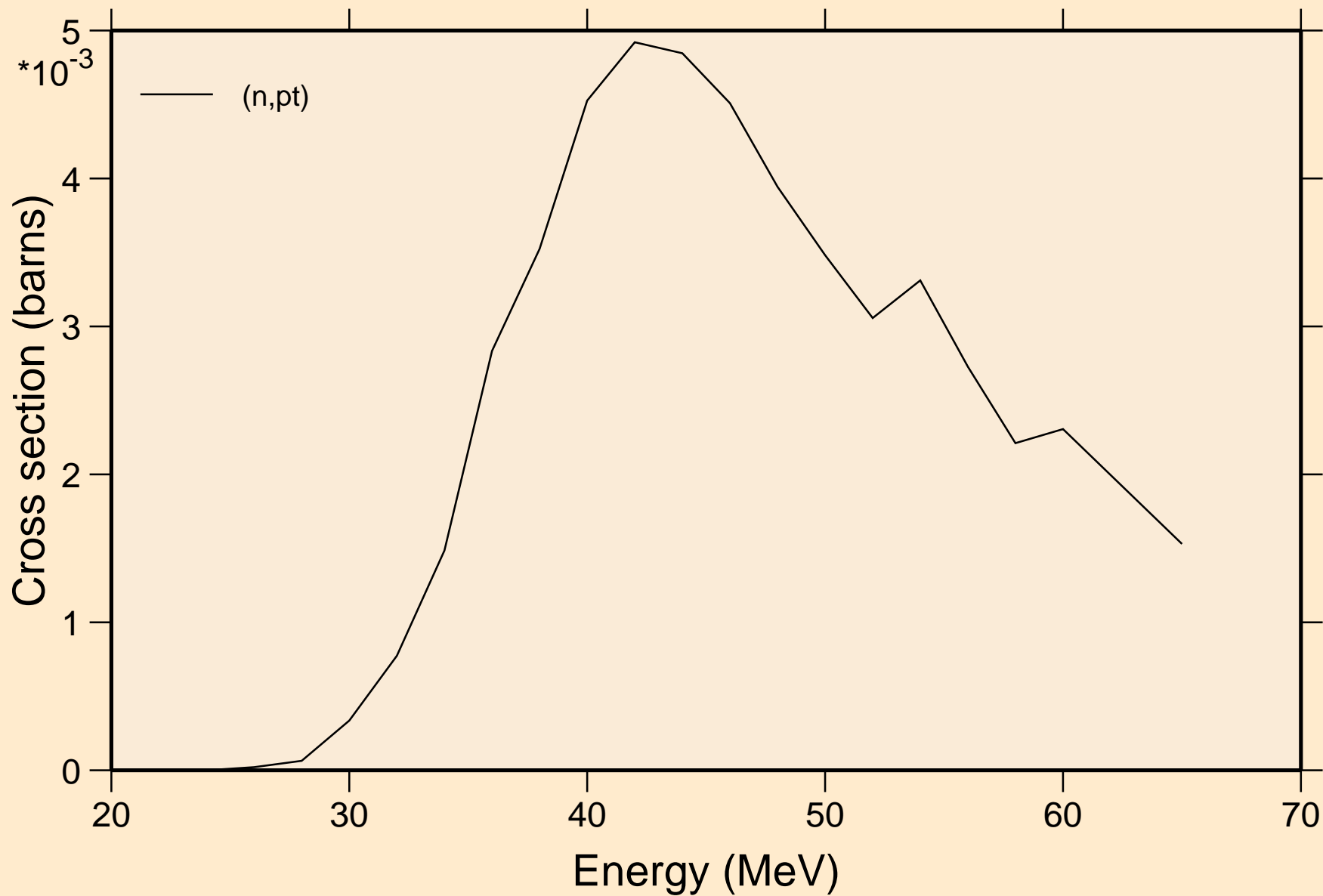
24-CR-52 FOR FENDL-3.2 FROM INDEN-1.0 BY NJOY2016.60+ OI
Threshold reactions



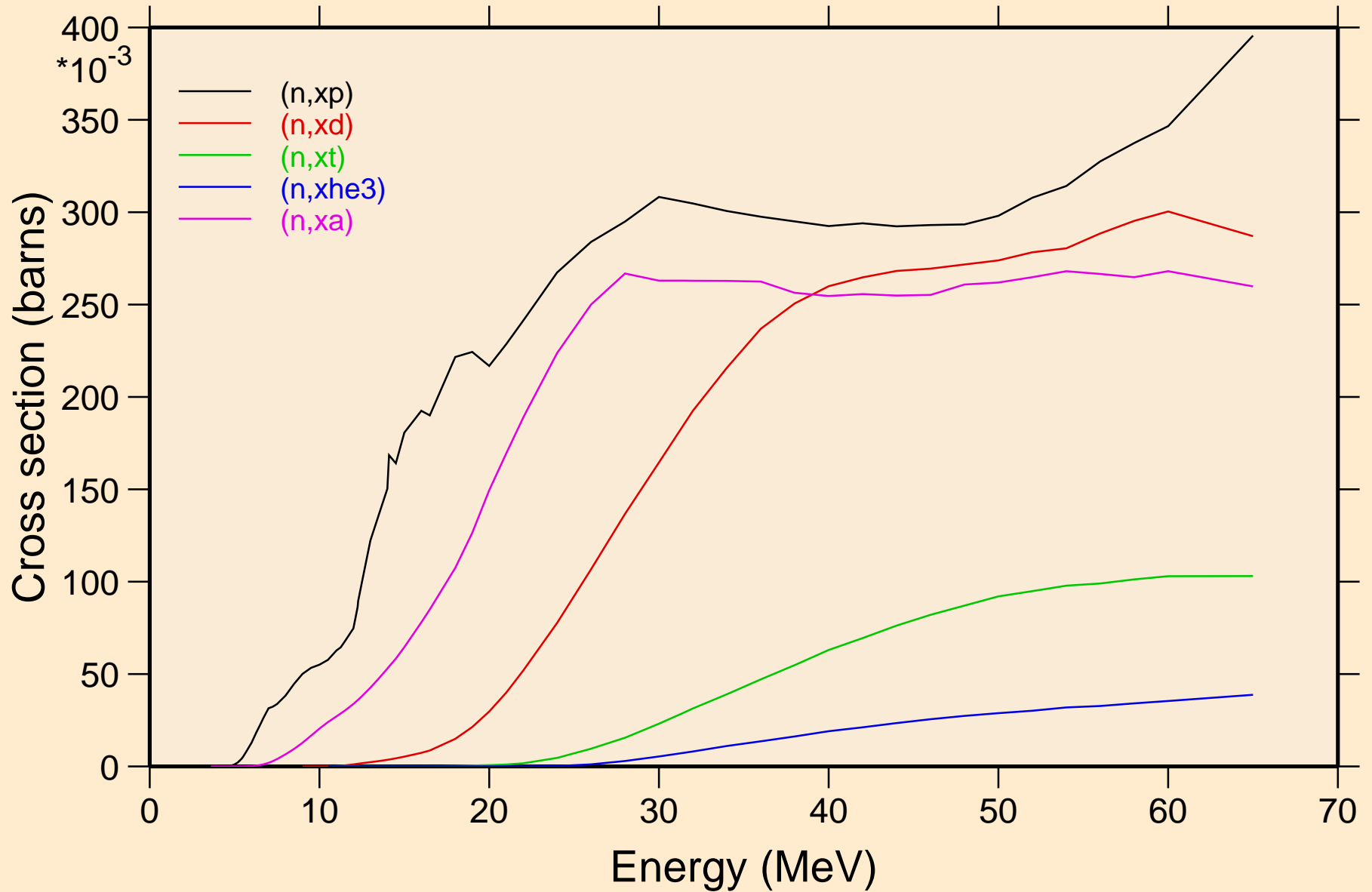
24-CR-52 FOR FENDL-3.2 FROM INDEN-1.0 BY NJOY2016.60+ OI Threshold reactions



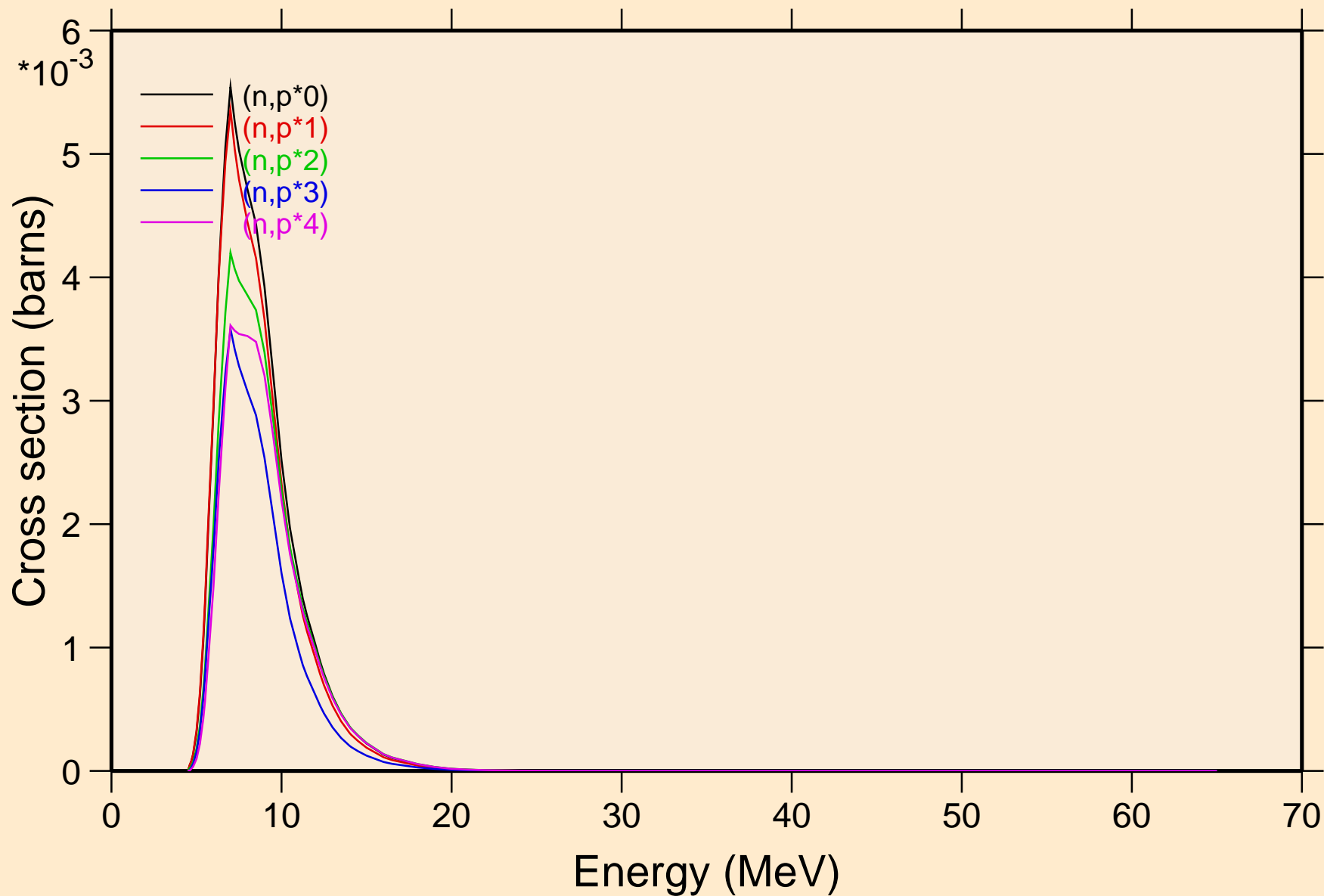
24-CR-52 FOR FENDL-3.2 FROM INDEN-1.0 BY NJOY2016.60+ OI
Threshold reactions



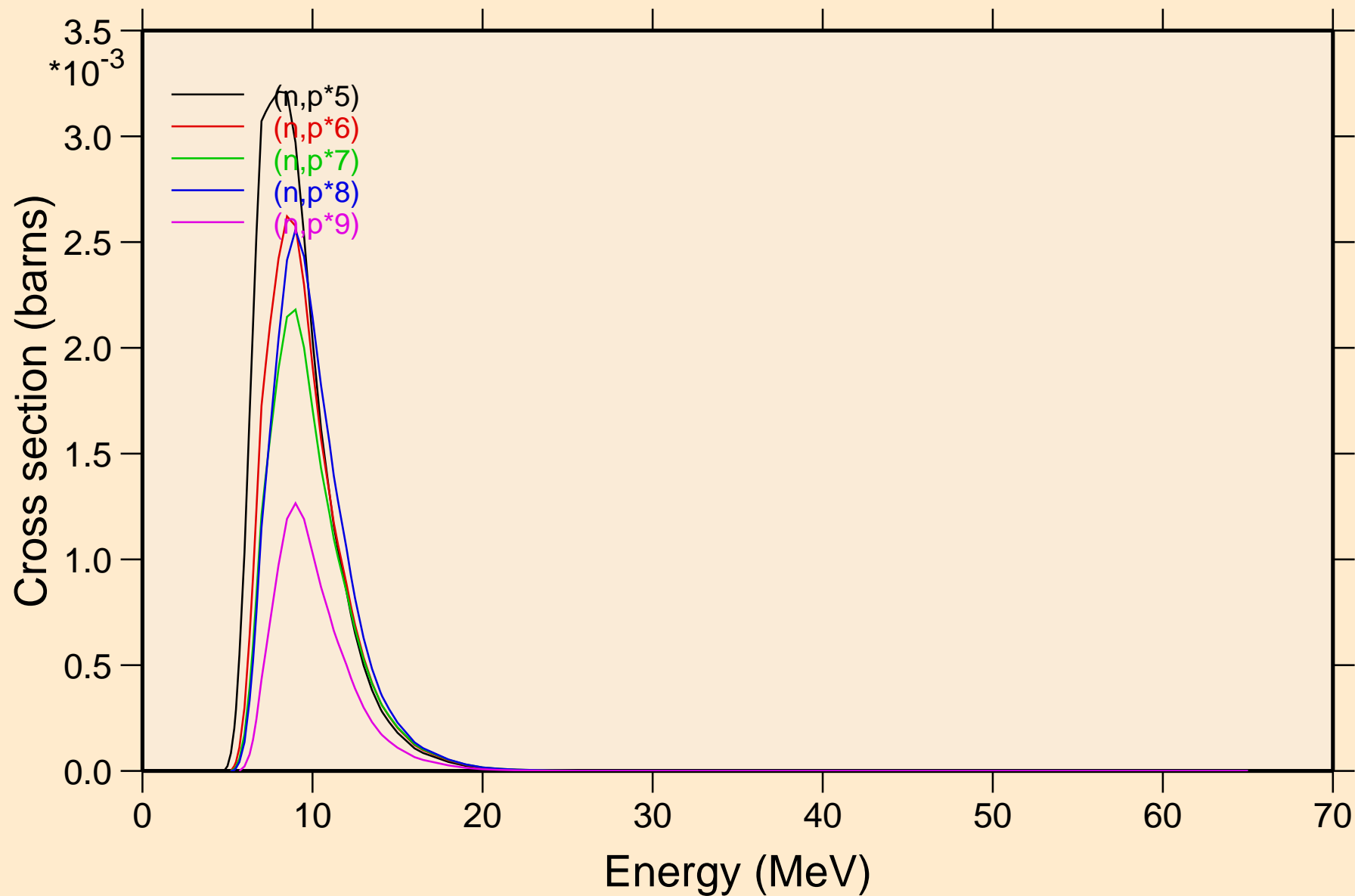
24-CR-52 FOR FENDL-3.2 FROM INDEN-1.0 BY NJOY2016.60+ OI
Threshold reactions



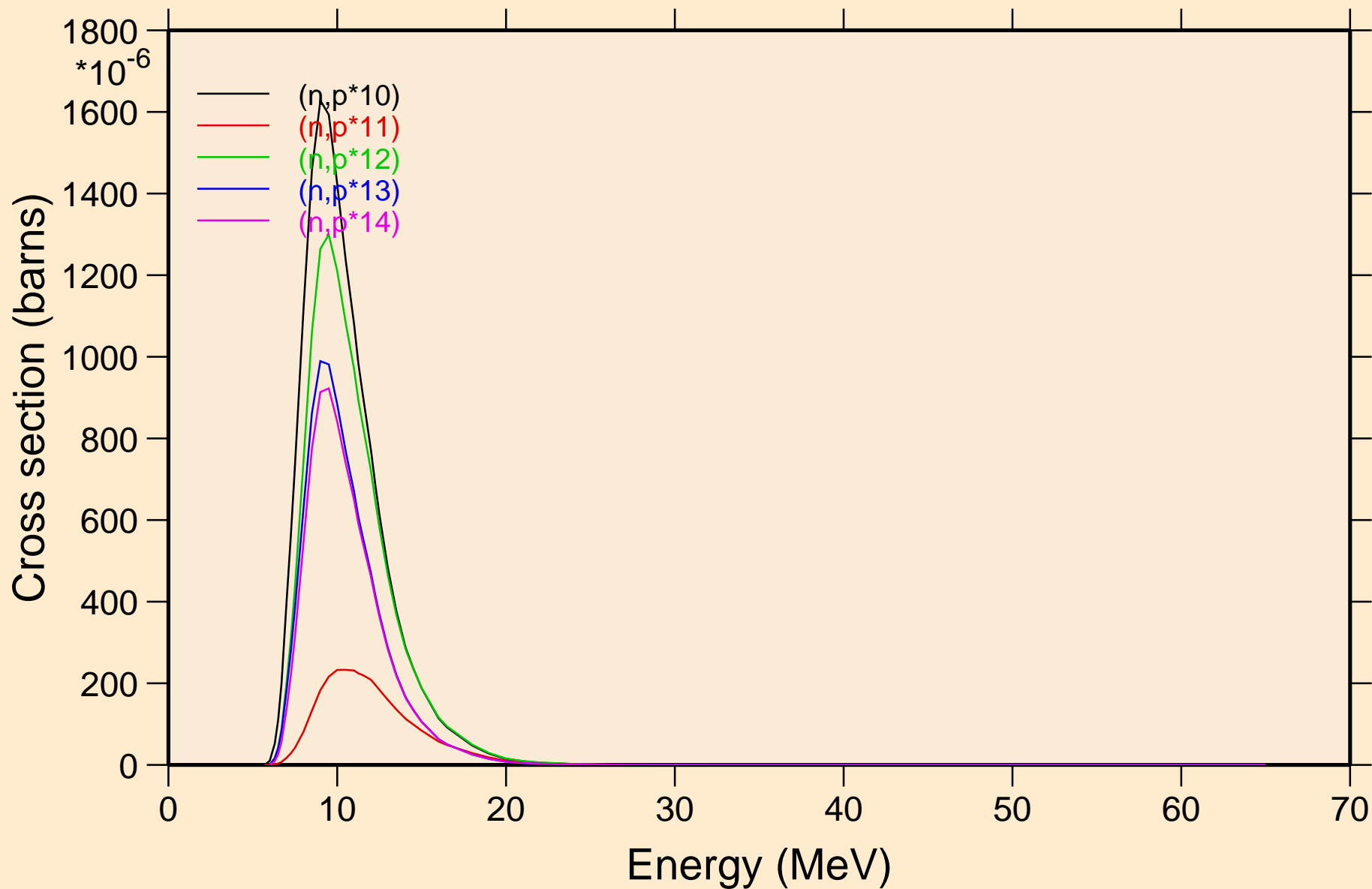
24-CR-52 FOR FENDL-3.2 FROM INDEN-1.0 BY NJOY2016.60+ OI
Threshold reactions



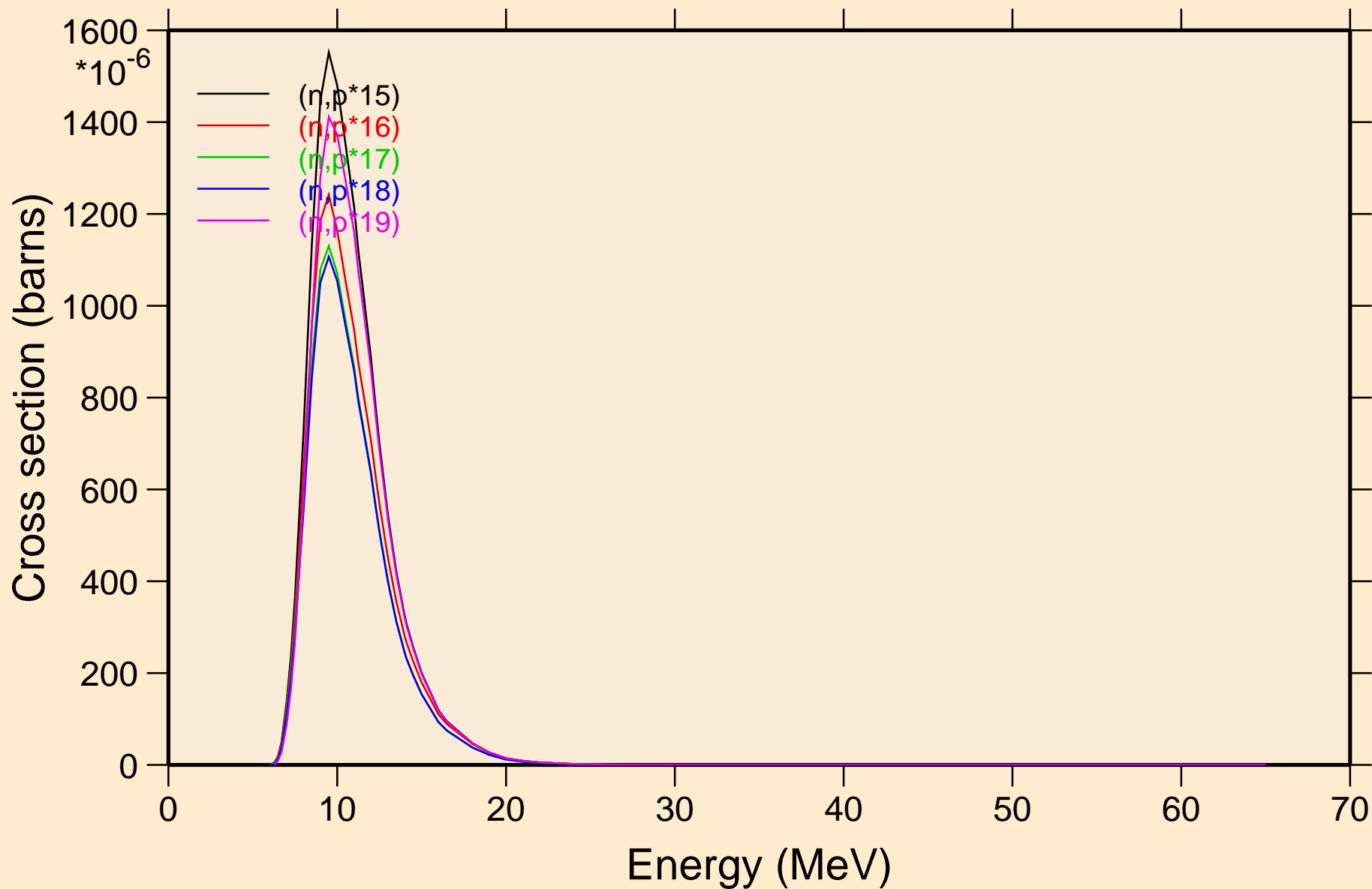
24-CR-52 FOR FENDL-3.2 FROM INDEN-1.0 BY NJOY2016.60+ OI
Threshold reactions



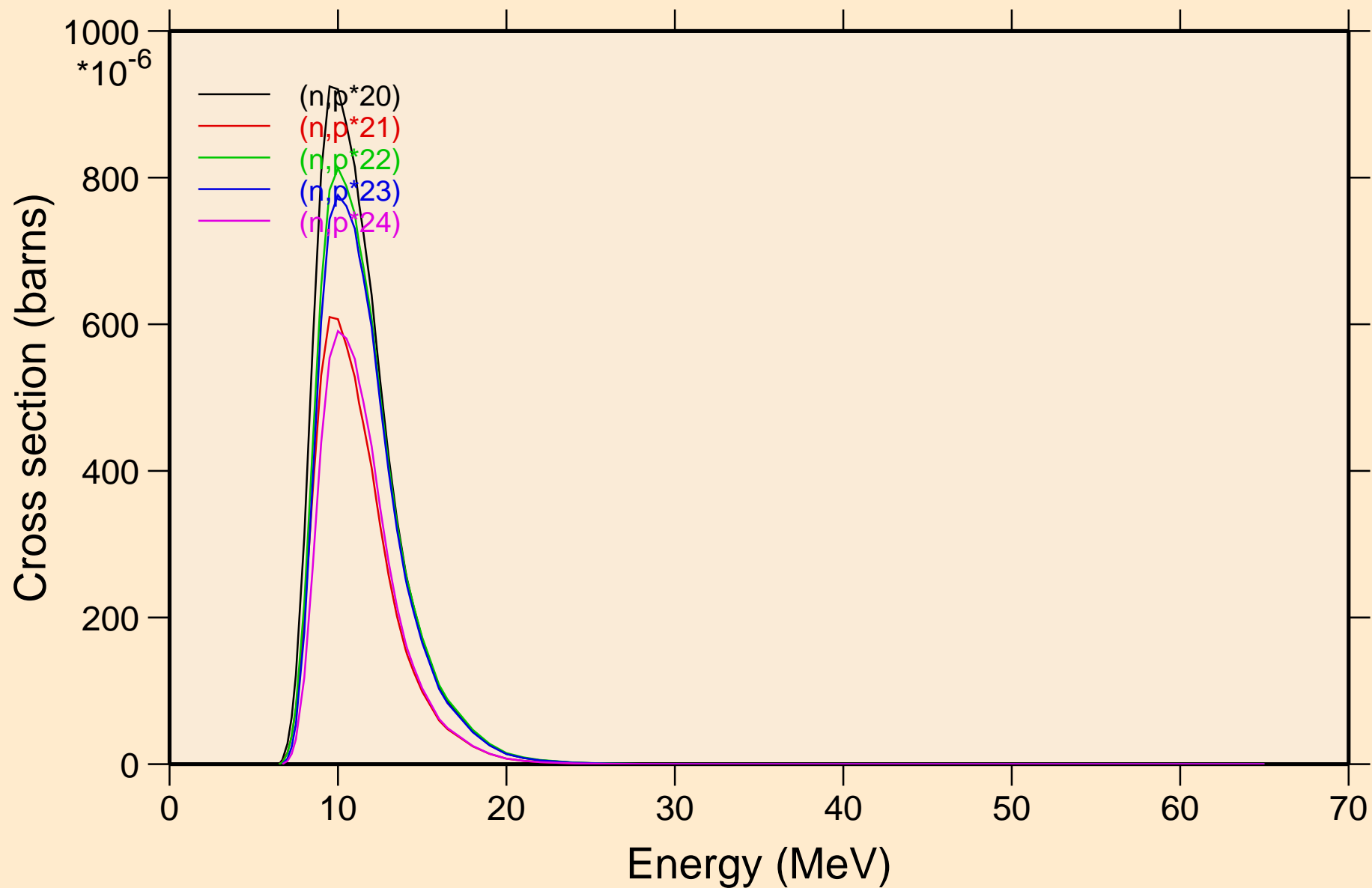
24-CR-52 FOR FENDL-3.2 FROM INDEN-1.0 BY NJOY2016.60+ OI
Threshold reactions



24-CR-52 FOR FENDL-3.2 FROM INDEN-1.0 BY NJOY2016.60+ OI
Threshold reactions

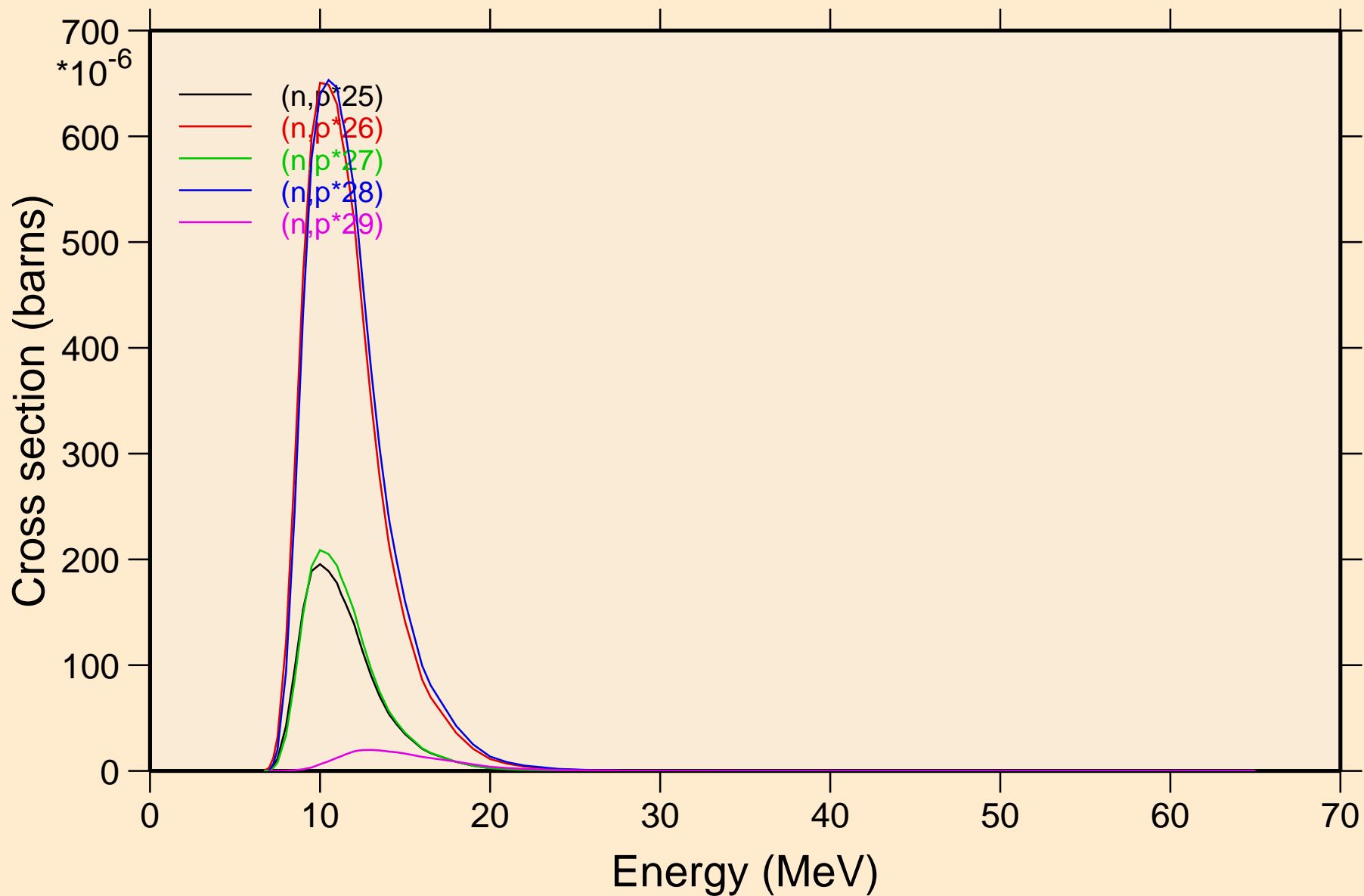


24-CR-52 FOR FENDL-3.2 FROM INDEN-1.0 BY NJOY2016.60+ OI
Threshold reactions

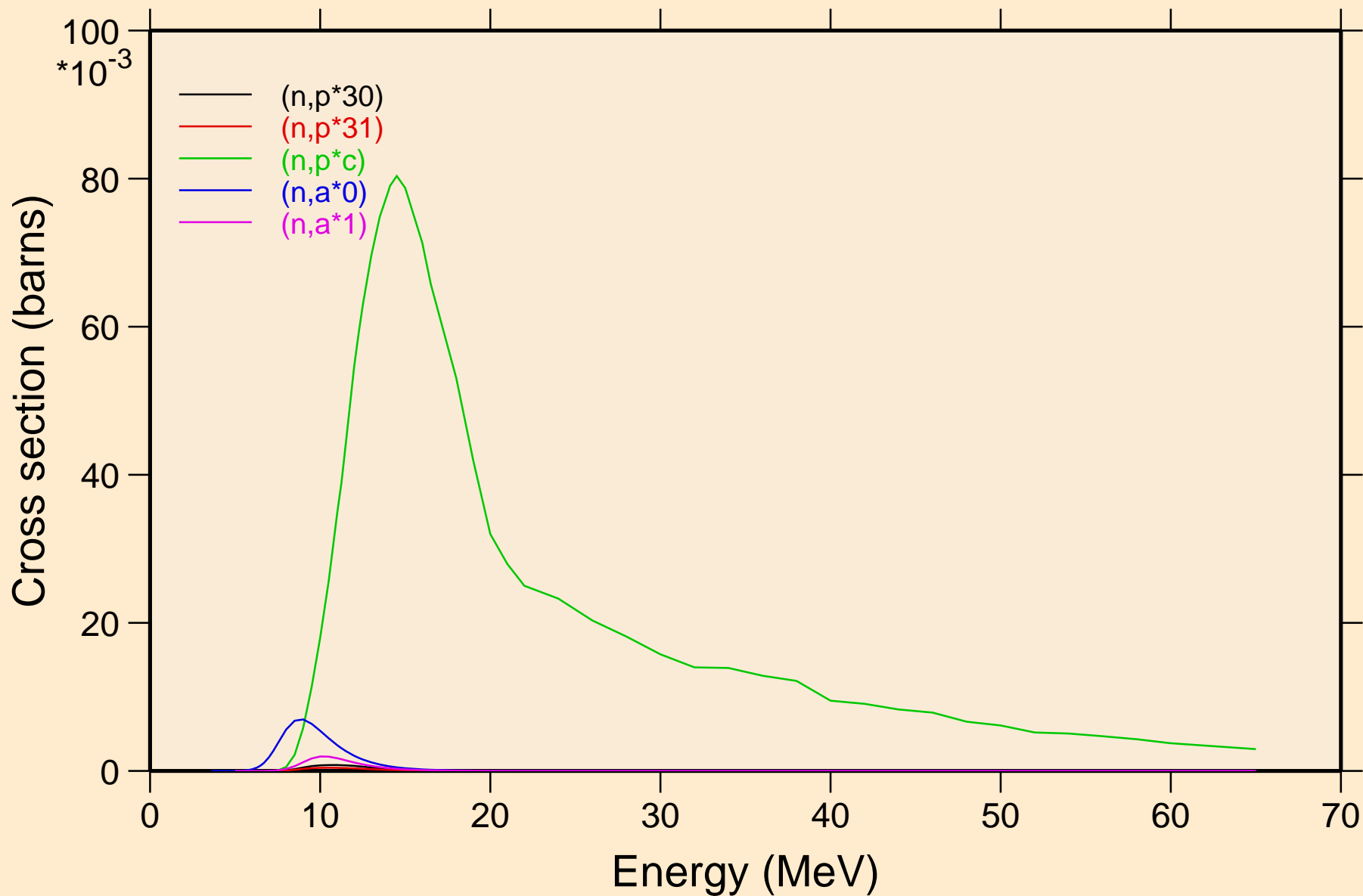


24-CR-52 FOR FENDL-3.2 FROM INDEN-1.0 BY NJOY2016.60+ OI

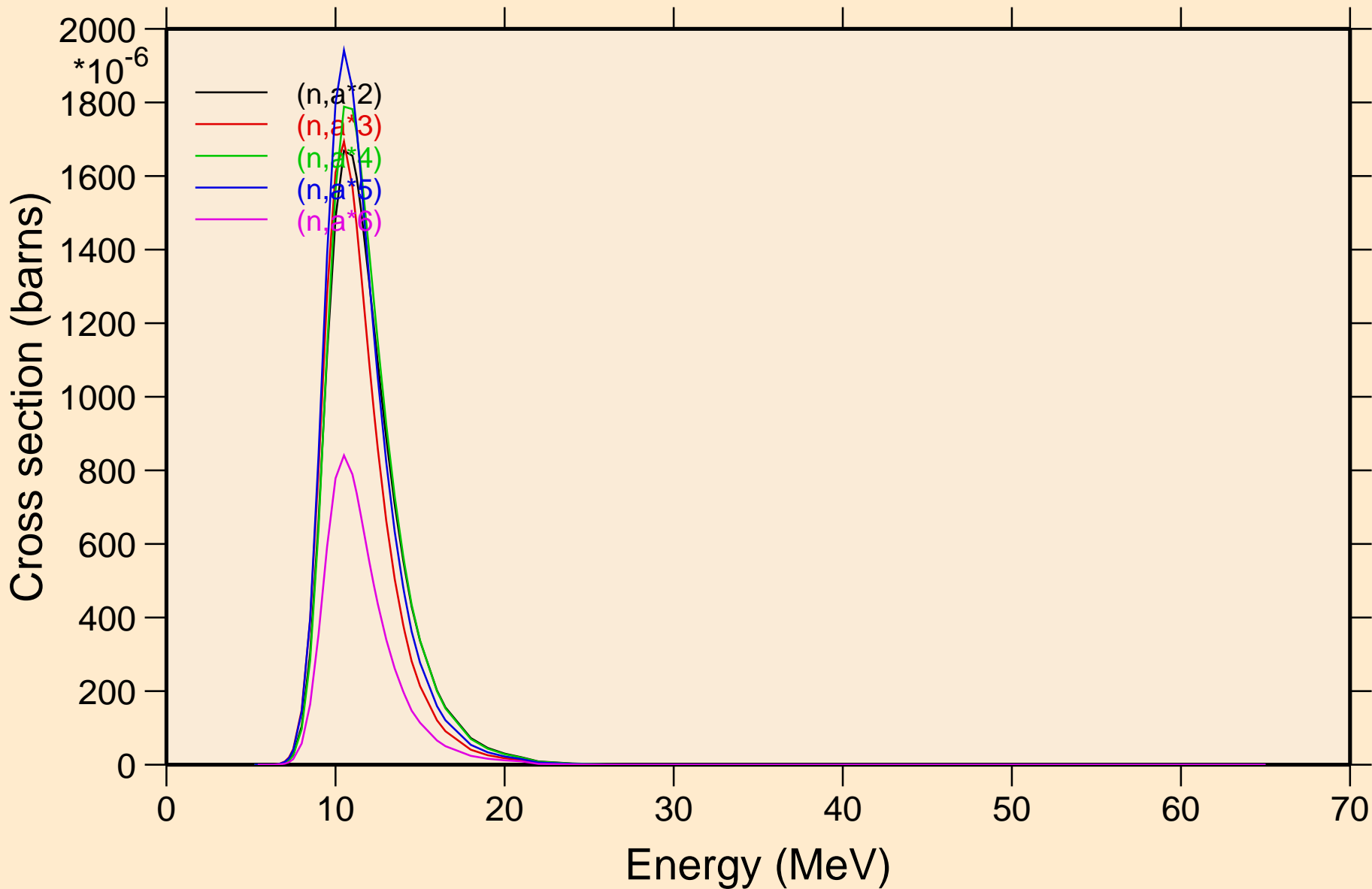
Threshold reactions



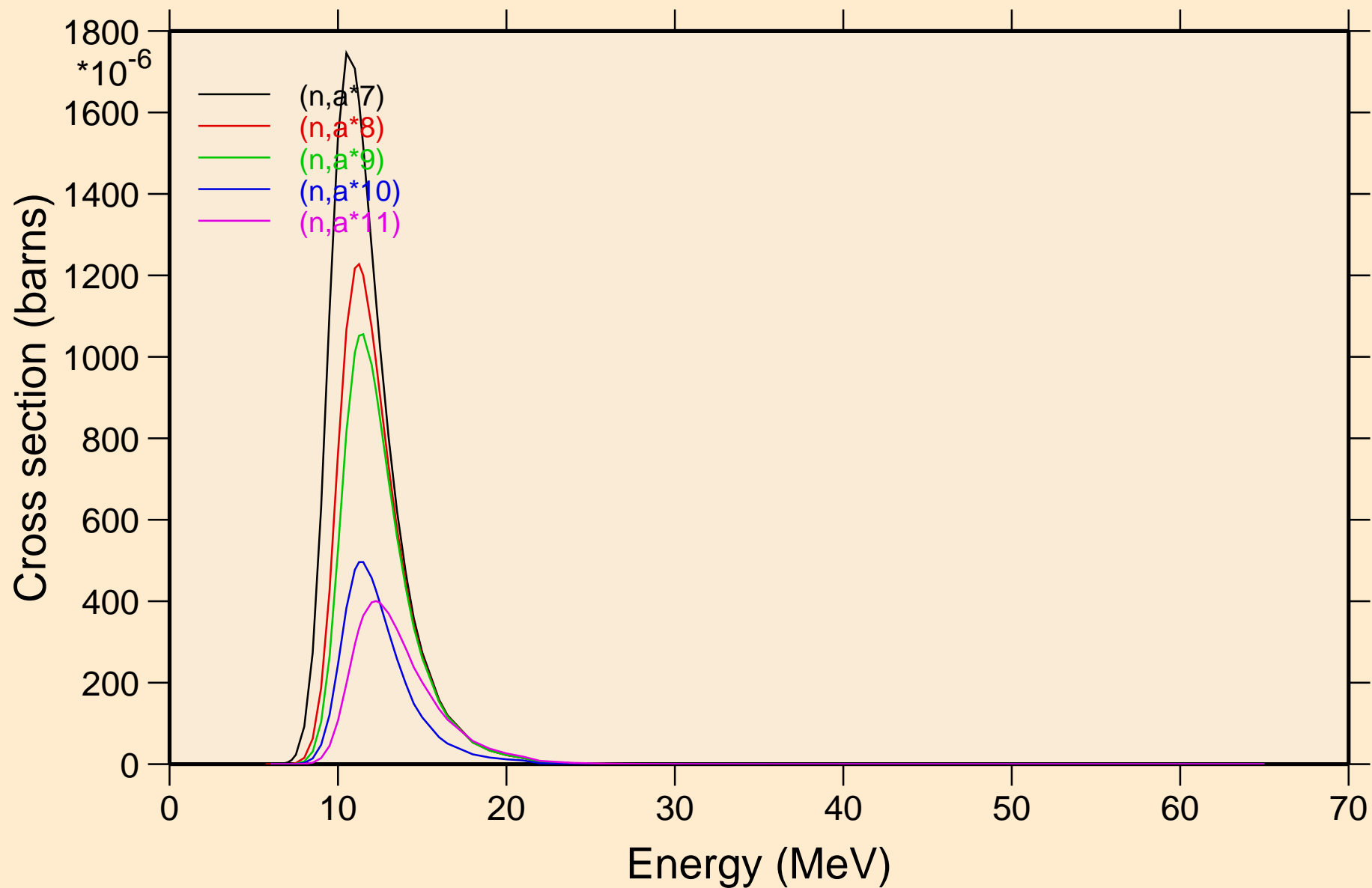
24-CR-52 FOR FENDL-3.2 FROM INDEN-1.0 BY NJOY2016.60+ OI
Threshold reactions



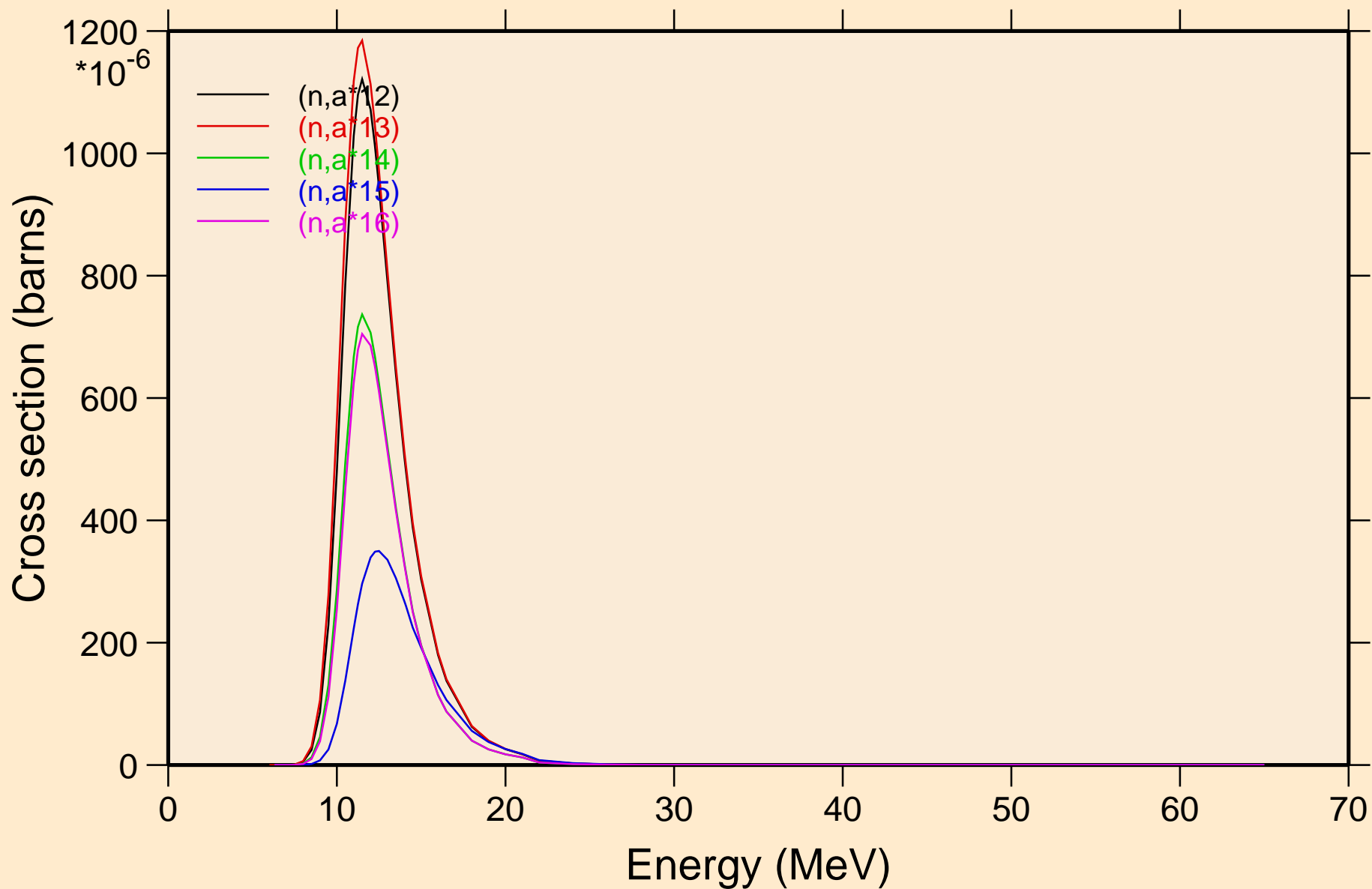
24-CR-52 FOR FENDL-3.2 FROM INDEN-1.0 BY NJOY2016.60+ OI
Threshold reactions



24-CR-52 FOR FENDL-3.2 FROM INDEN-1.0 BY NJOY2016.60+ OI
Threshold reactions

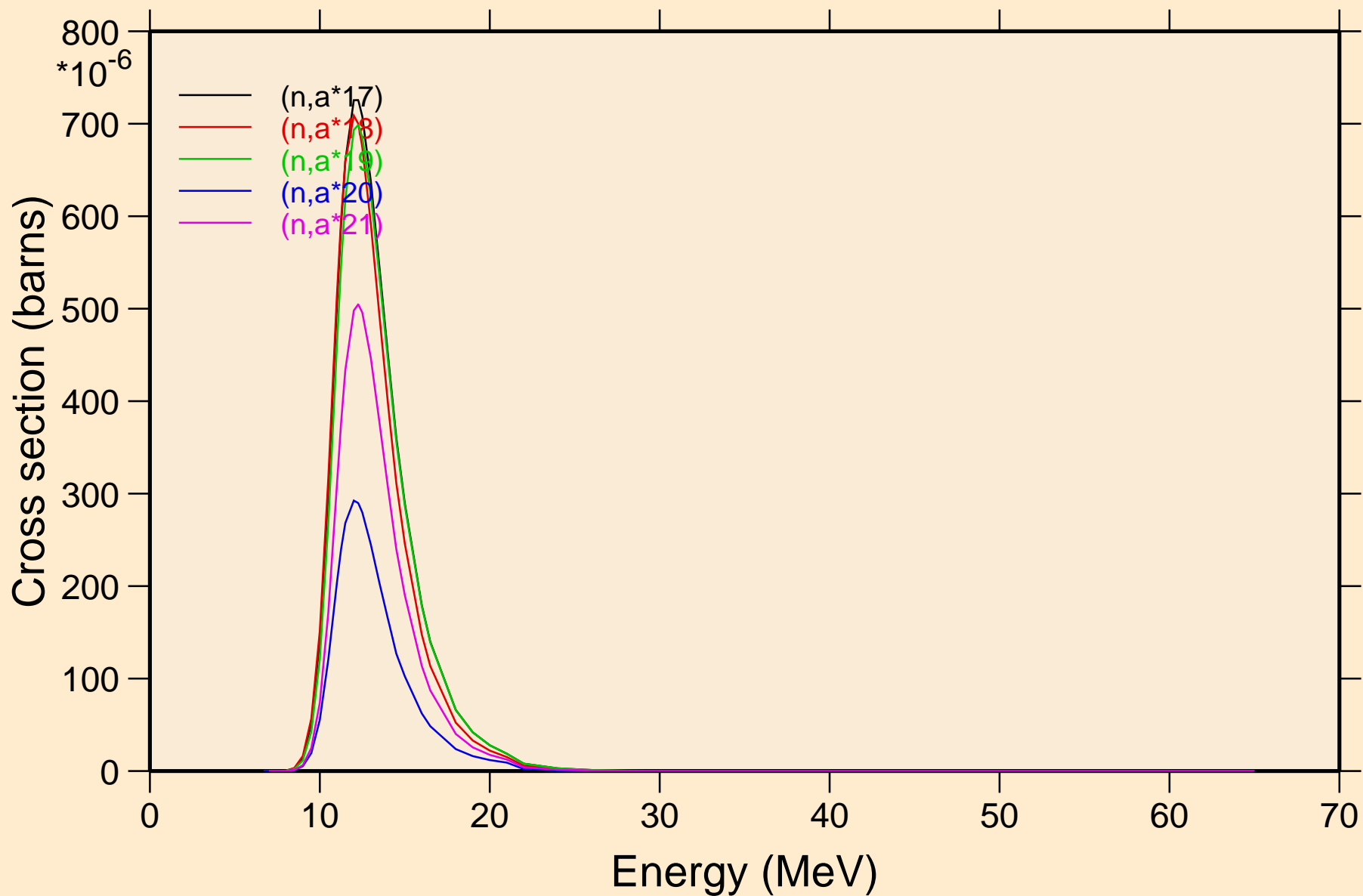


24-CR-52 FOR FENDL-3.2 FROM INDEN-1.0 BY NJOY2016.60+ OI
Threshold reactions



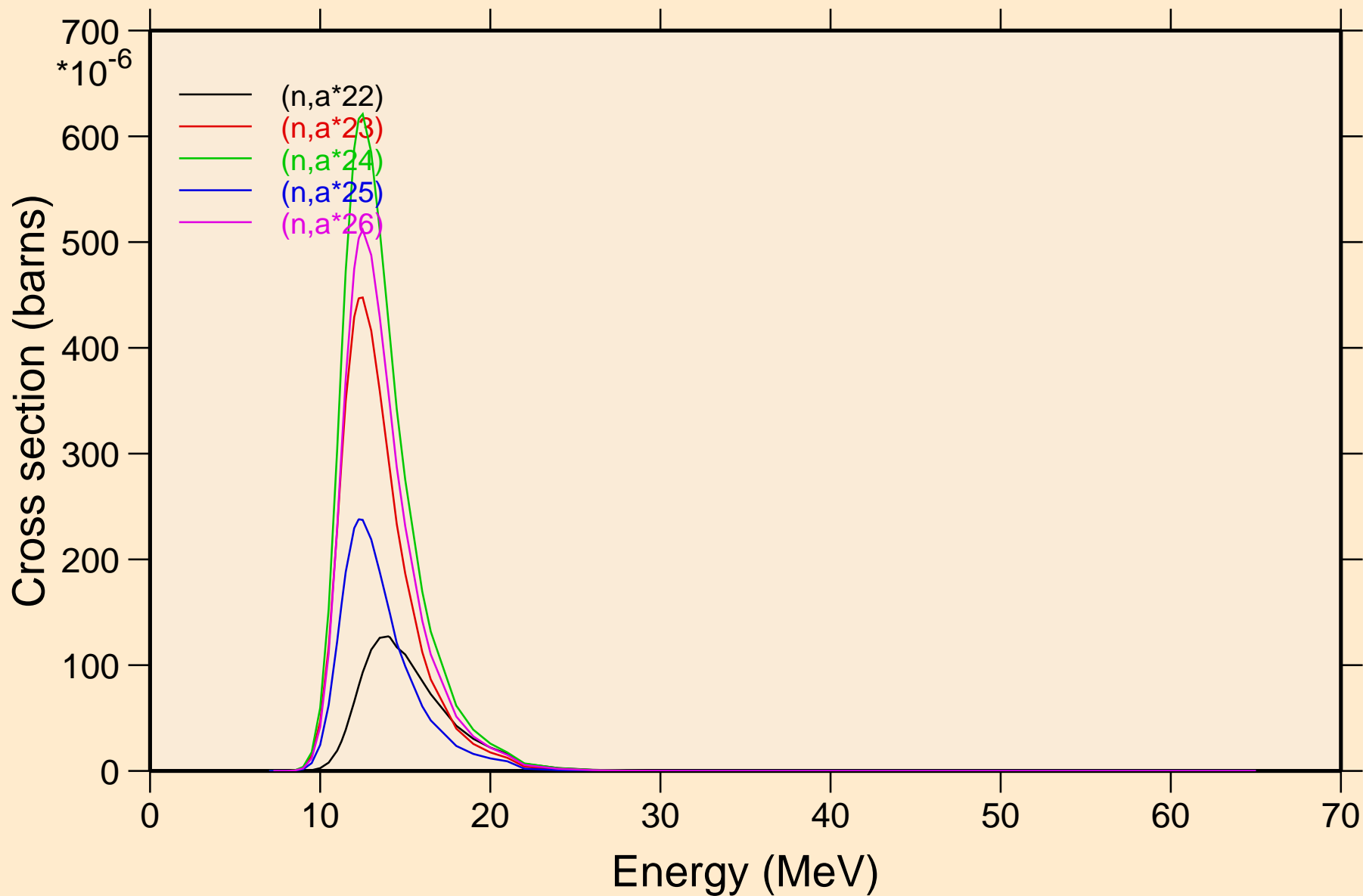
24-CR-52 FOR FENDL-3.2 FROM INDEN-1.0 BY NJOY2016.60+ OI

Threshold reactions



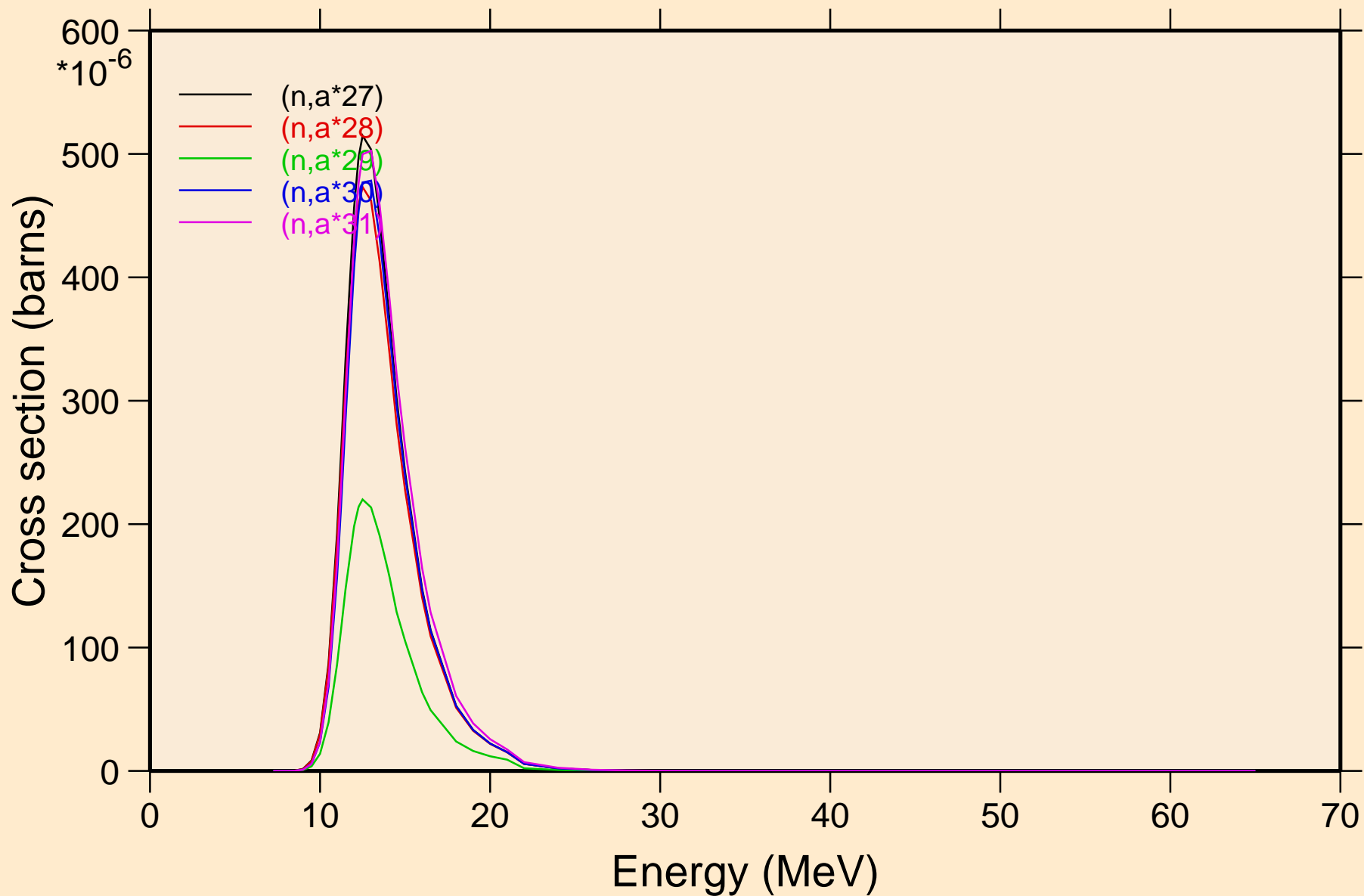
24-CR-52 FOR FENDL-3.2 FROM INDEN-1.0 BY NJOY2016.60+ OI

Threshold reactions



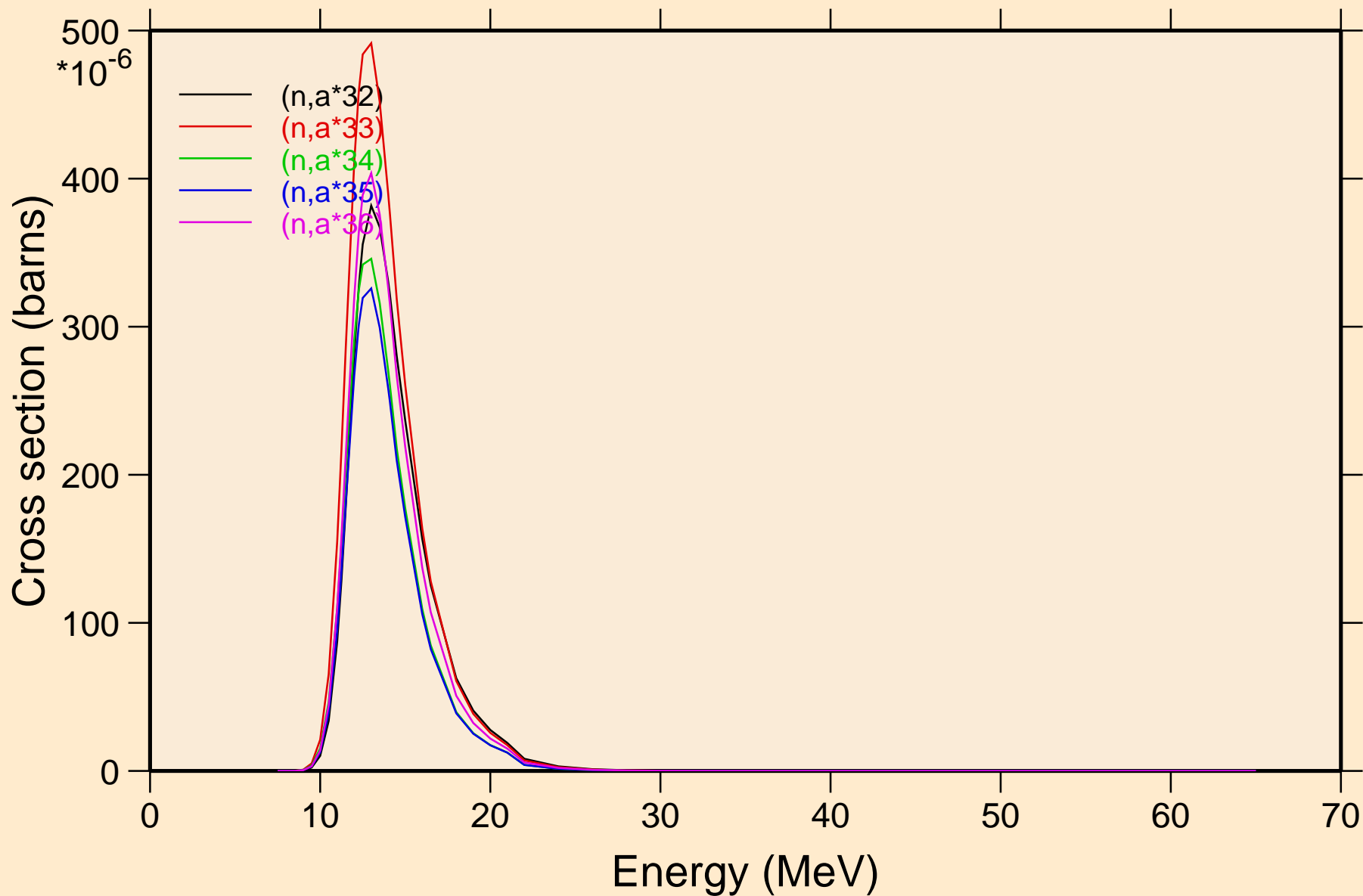
24-CR-52 FOR FENDL-3.2 FROM INDEN-1.0 BY NJOY2016.60+ OI

Threshold reactions

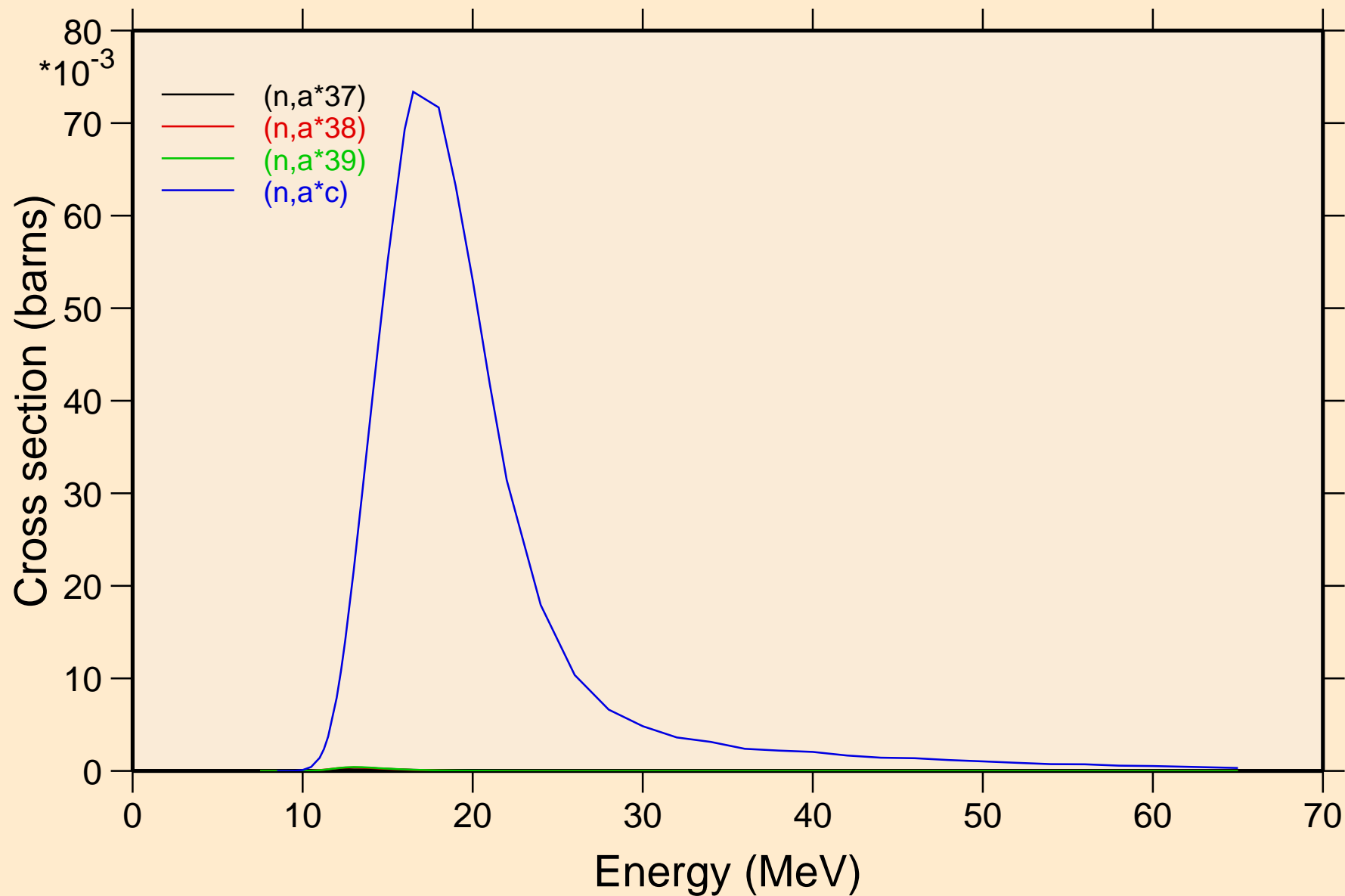


24-CR-52 FOR FENDL-3.2 FROM INDEN-1.0 BY NJOY2016.60+ OI

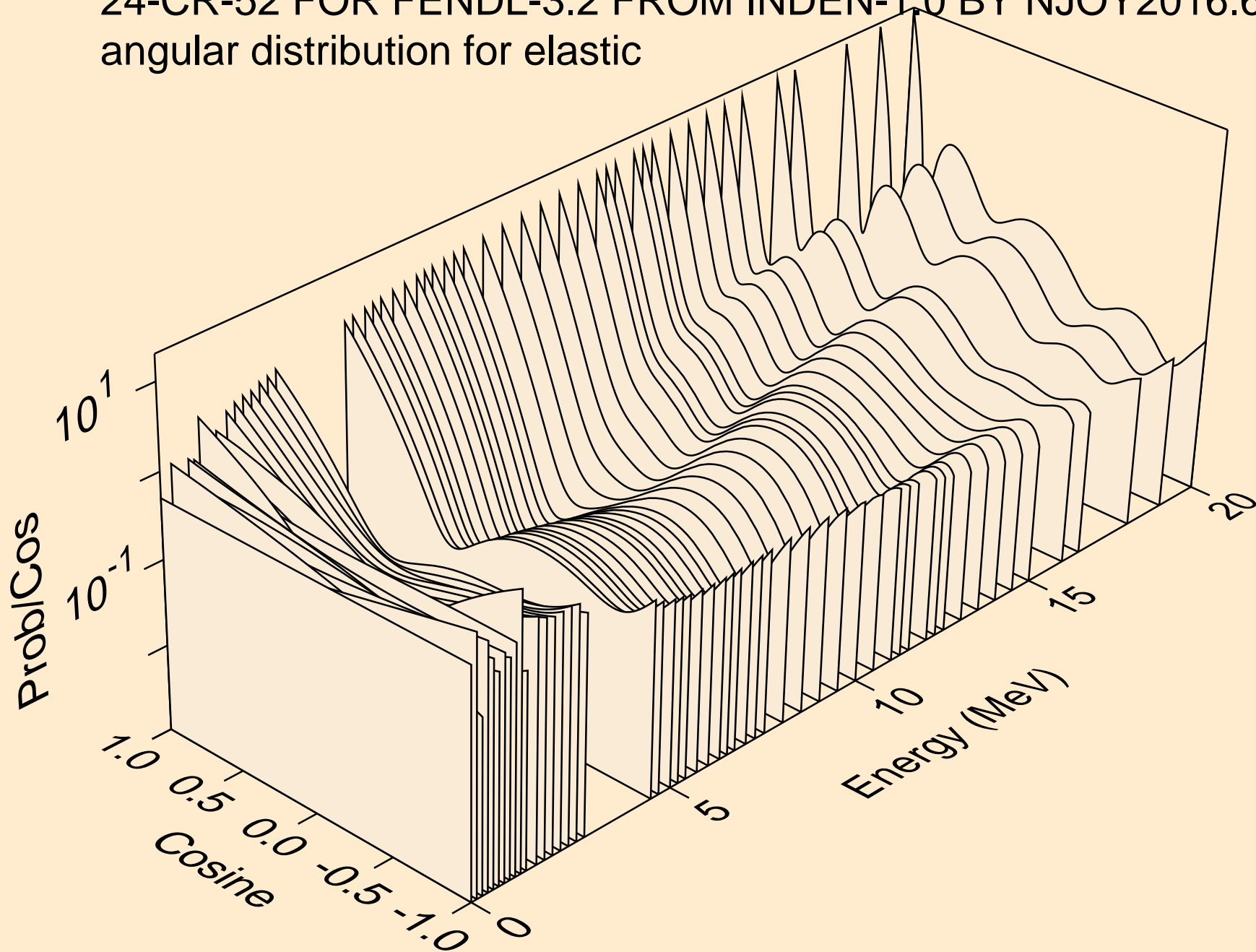
Threshold reactions



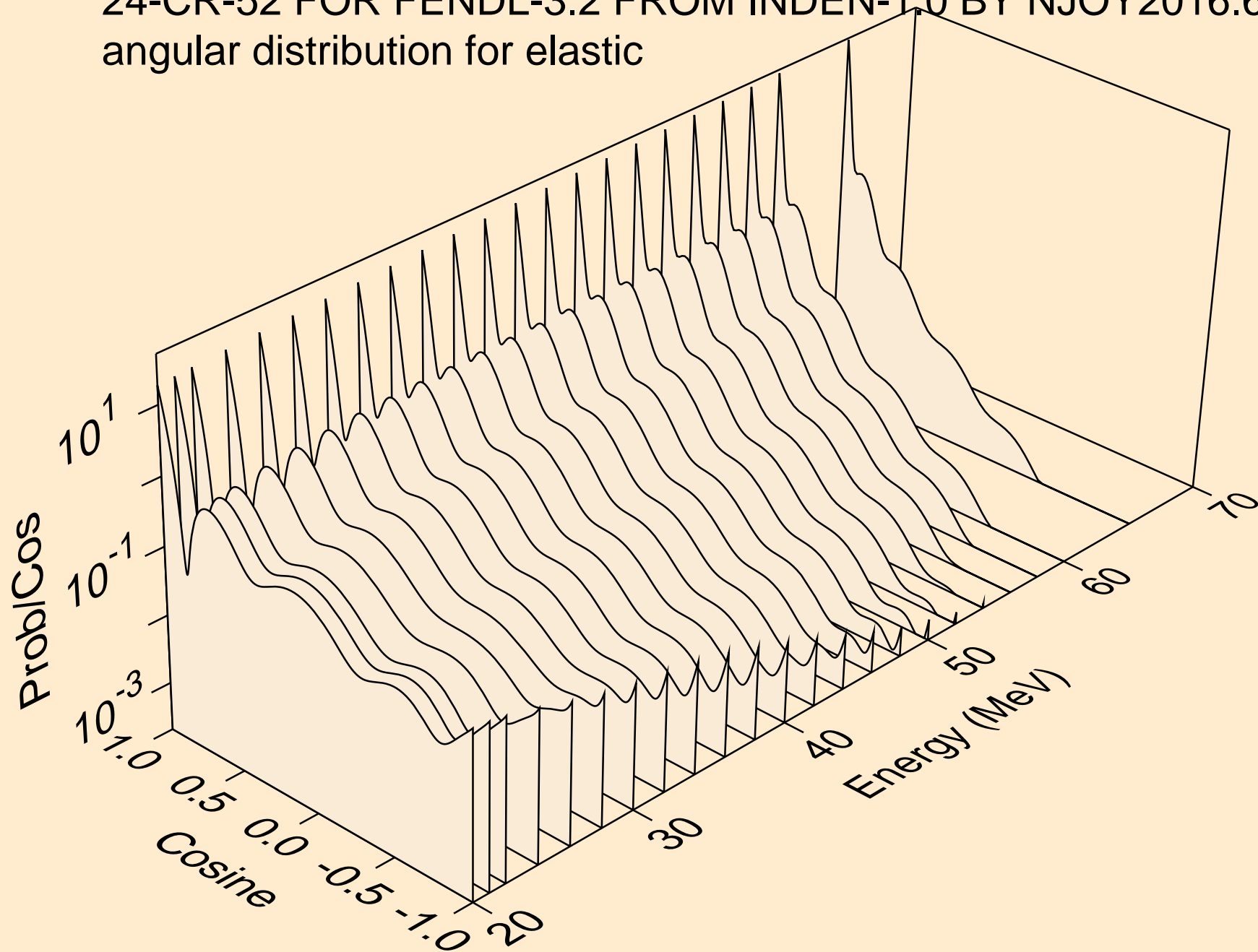
24-CR-52 FOR FENDL-3.2 FROM INDEN-1.0 BY NJOY2016.60+ OI Threshold reactions



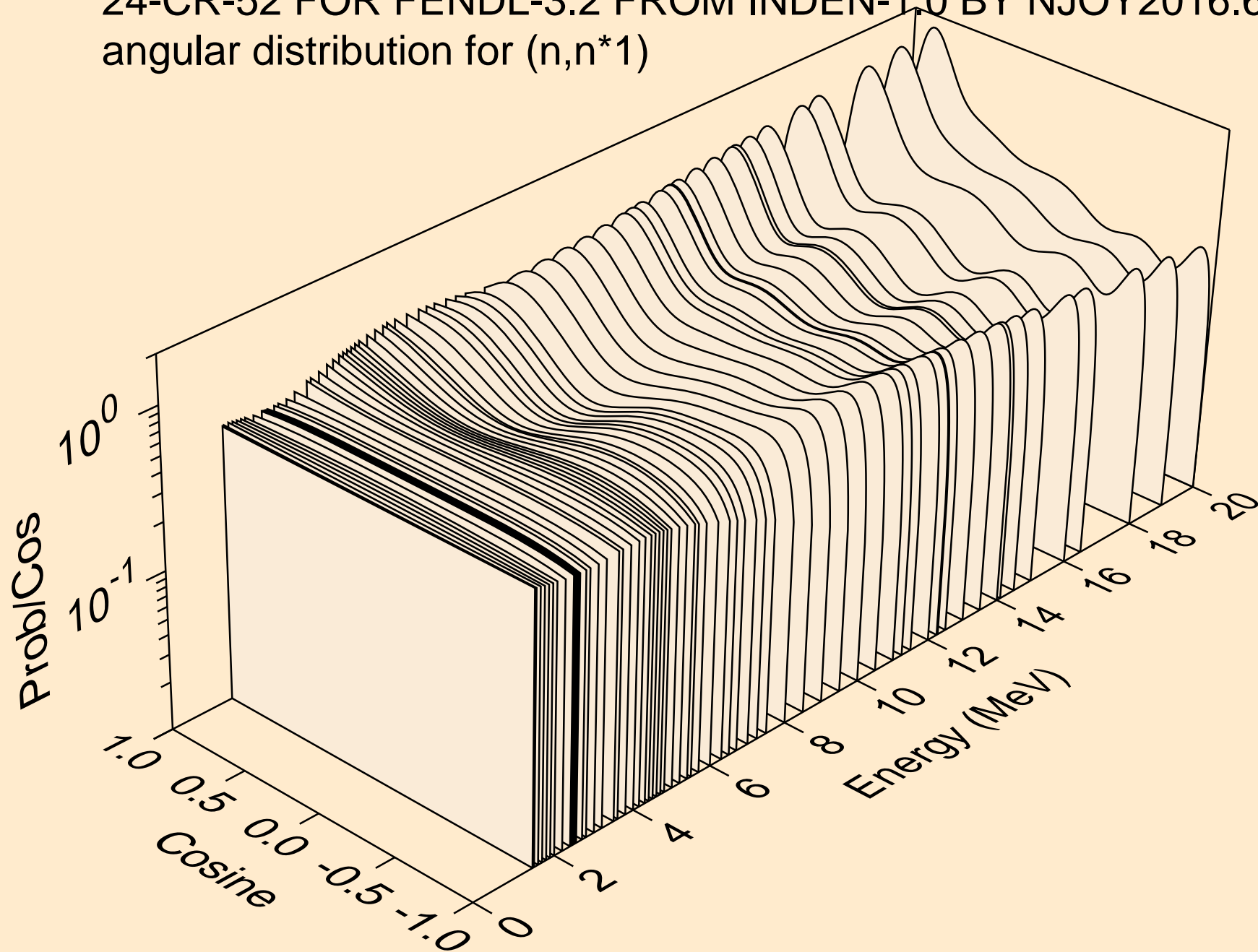
24-CR-52 FOR FENDL-3.2 FROM INDEN-1.0 BY NJOY2016.60+ OI
angular distribution for elastic



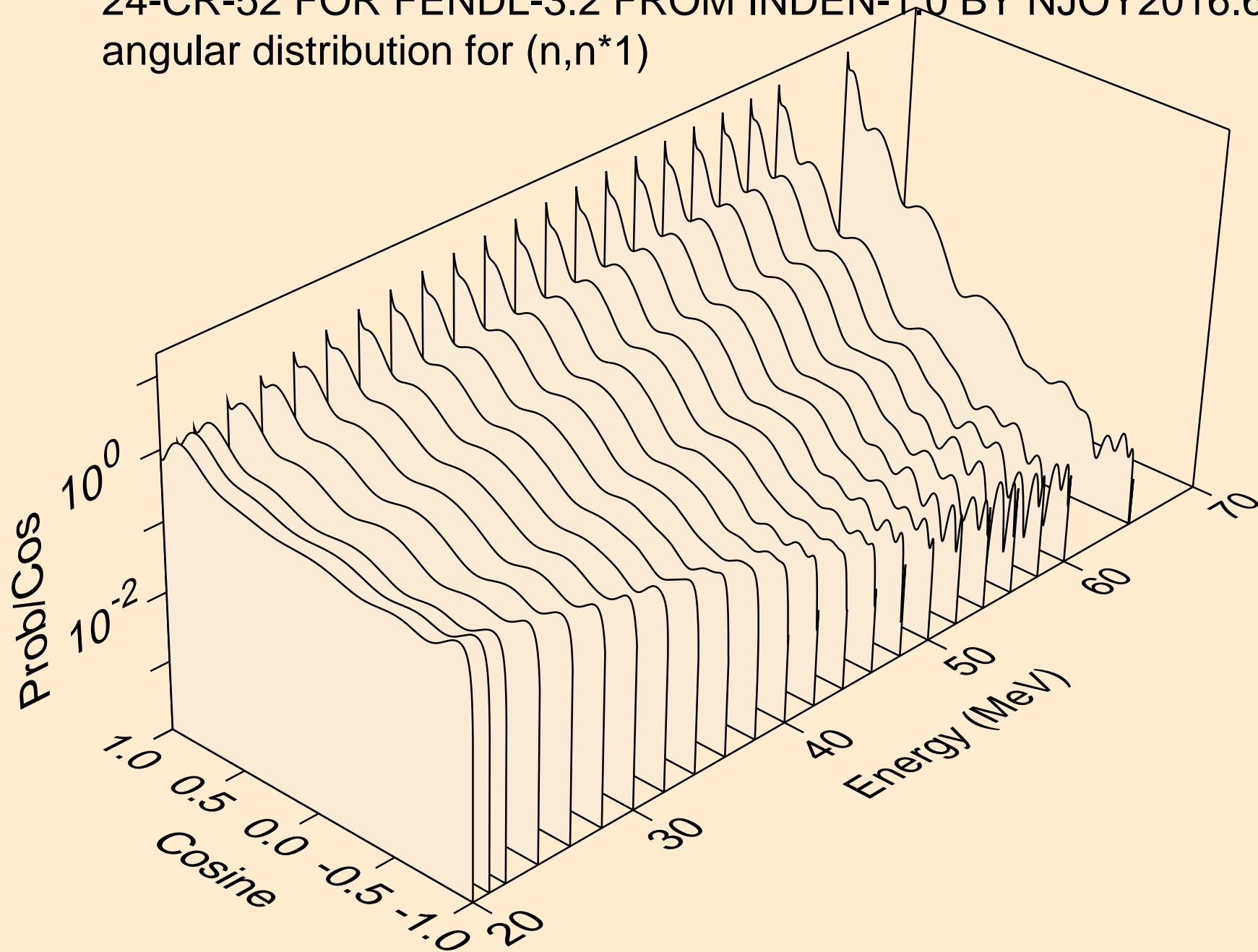
24-CR-52 FOR FENDL-3.2 FROM INDEN-1.0 BY NJOY2016.60+ OI
angular distribution for elastic



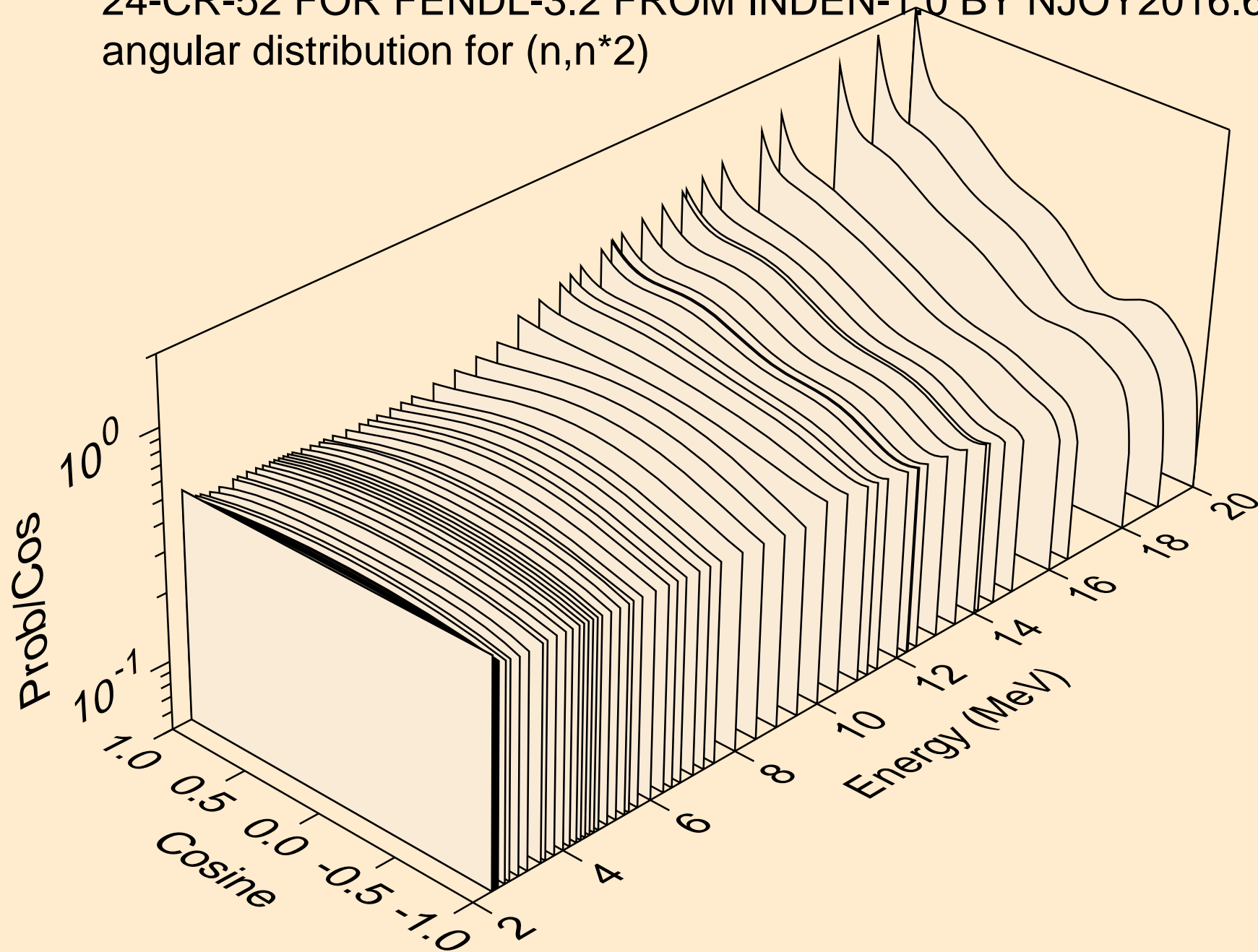
24-CR-52 FOR FENDL-3.2 FROM INDEN-1.0 BY NJOY2016.60+ OI
angular distribution for (n,n*1)



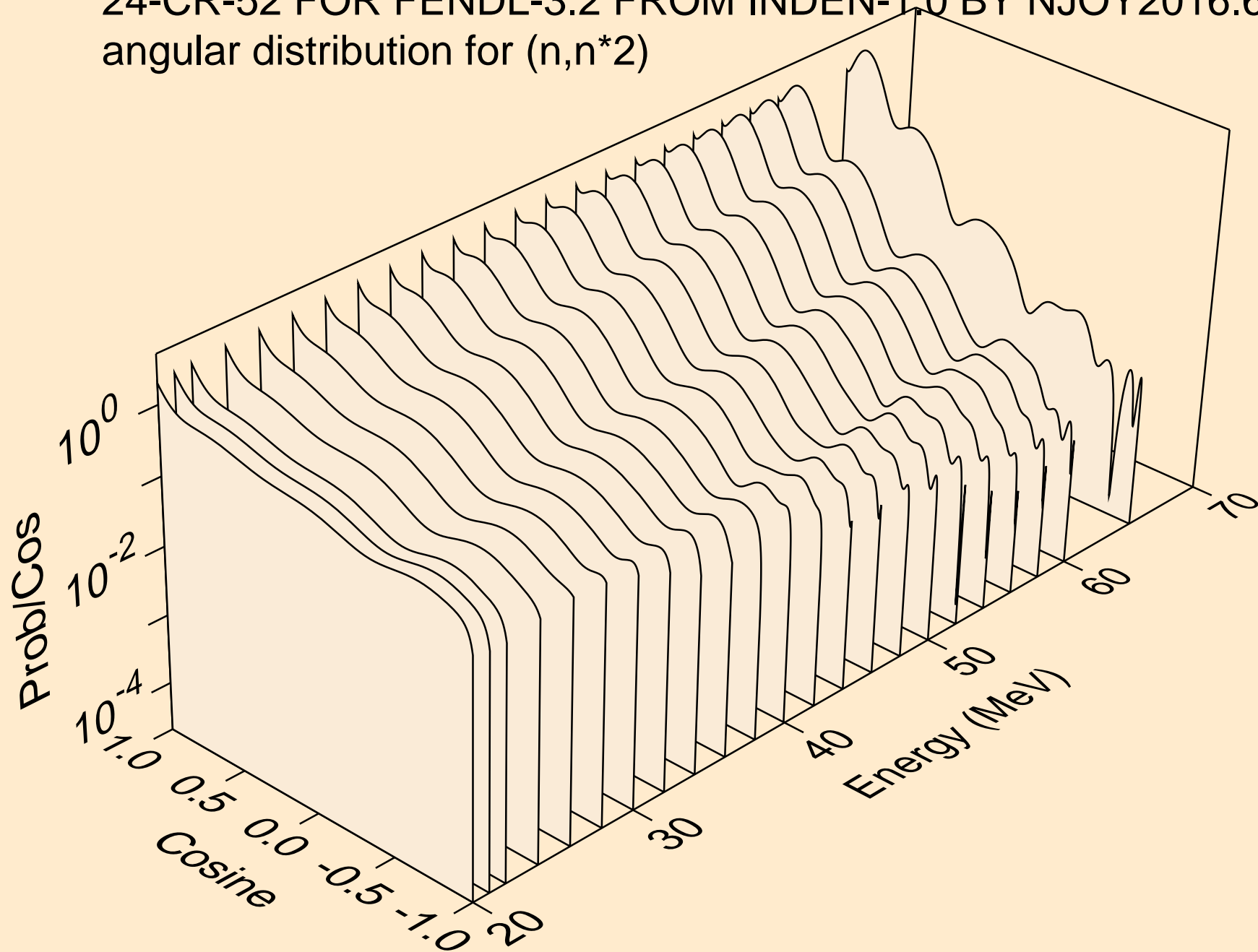
24-CR-52 FOR FENDL-3.2 FROM INDEN-1.0 BY NJOY2016.60+ OI
angular distribution for (n,n*1)



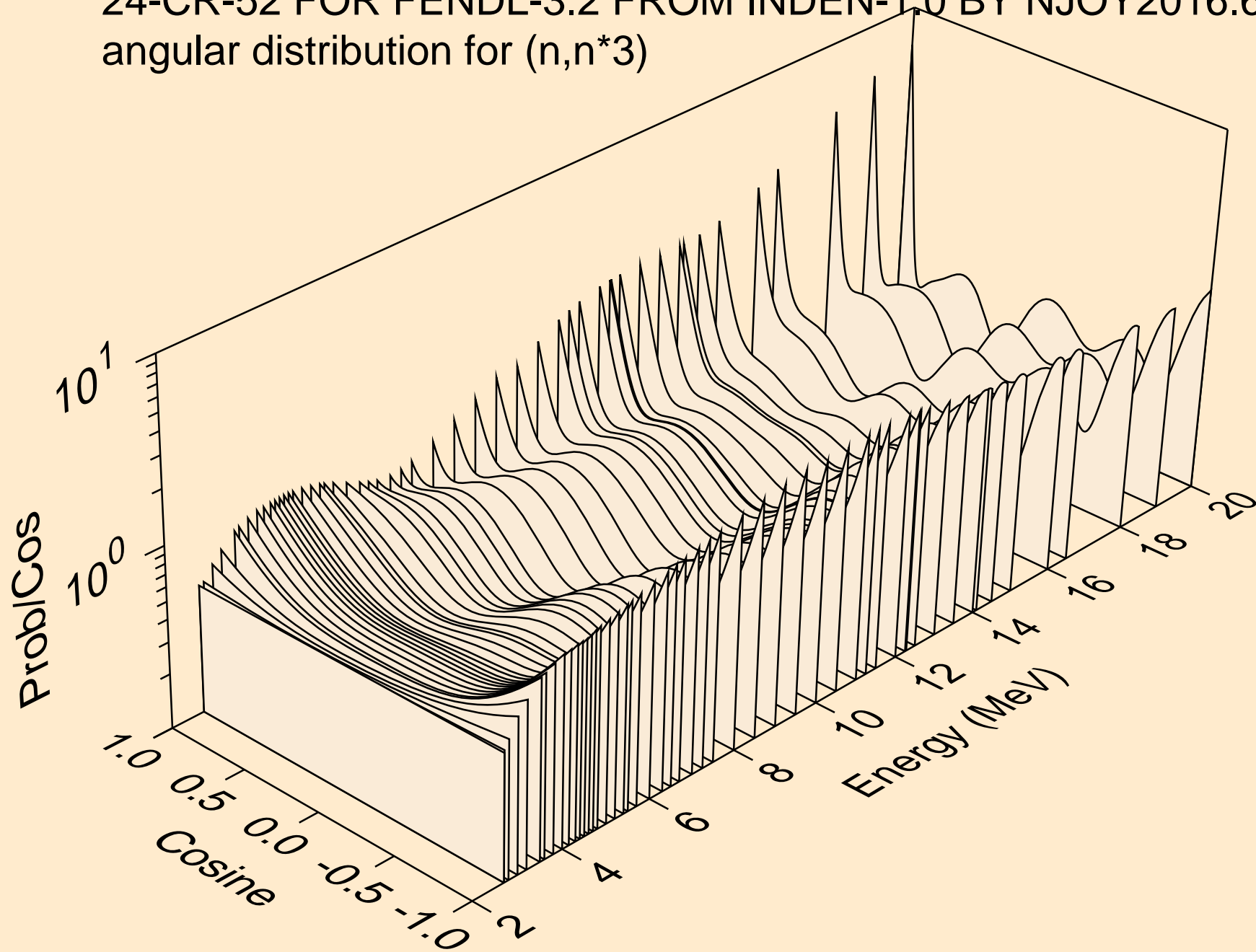
24-CR-52 FOR FENDL-3.2 FROM INDEN-1.0 BY NJOY2016.60+ OI
angular distribution for (n,n*2)



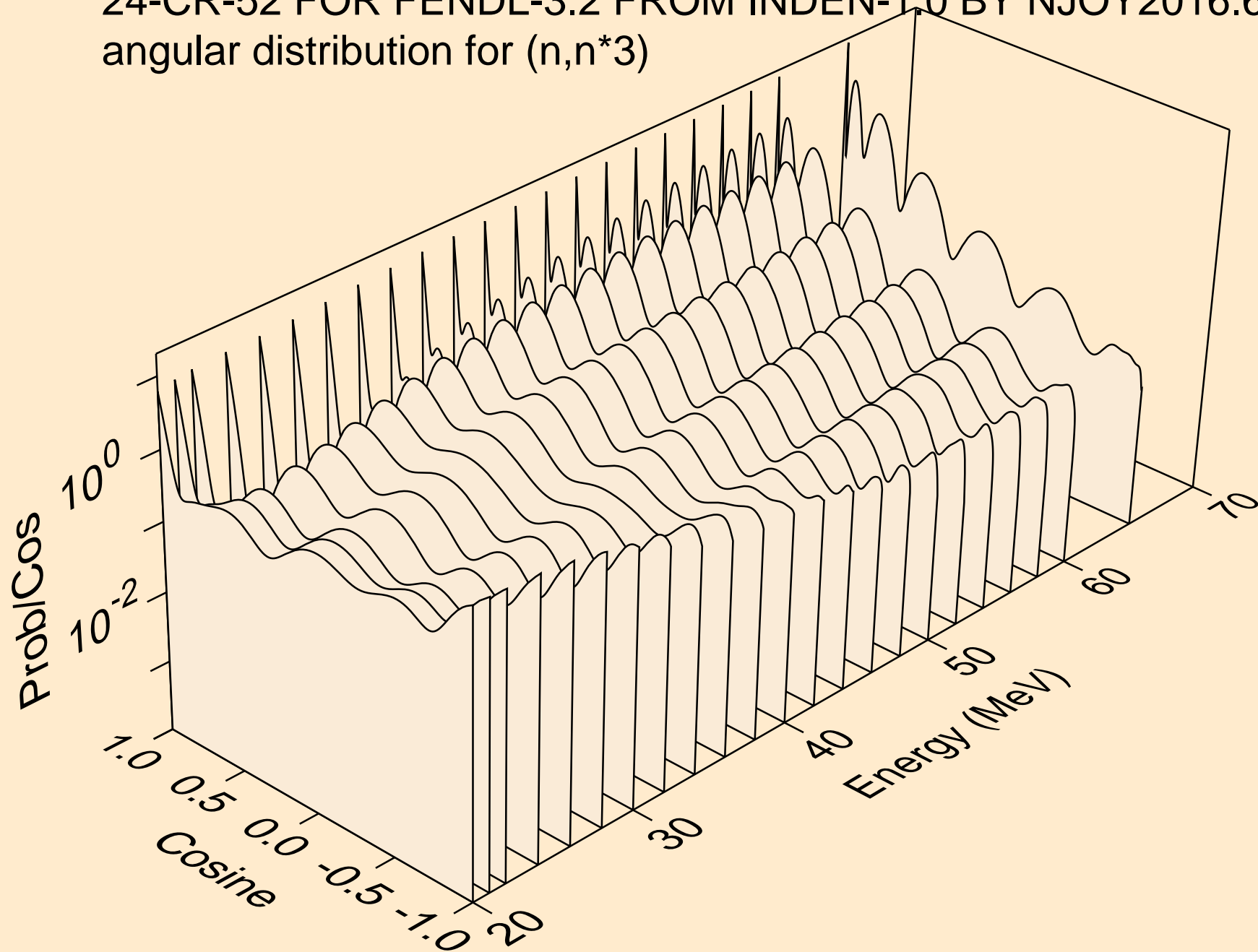
24-CR-52 FOR FENDL-3.2 FROM INDEN-1.0 BY NJOY2016.60+ OI
angular distribution for (n,n*2)



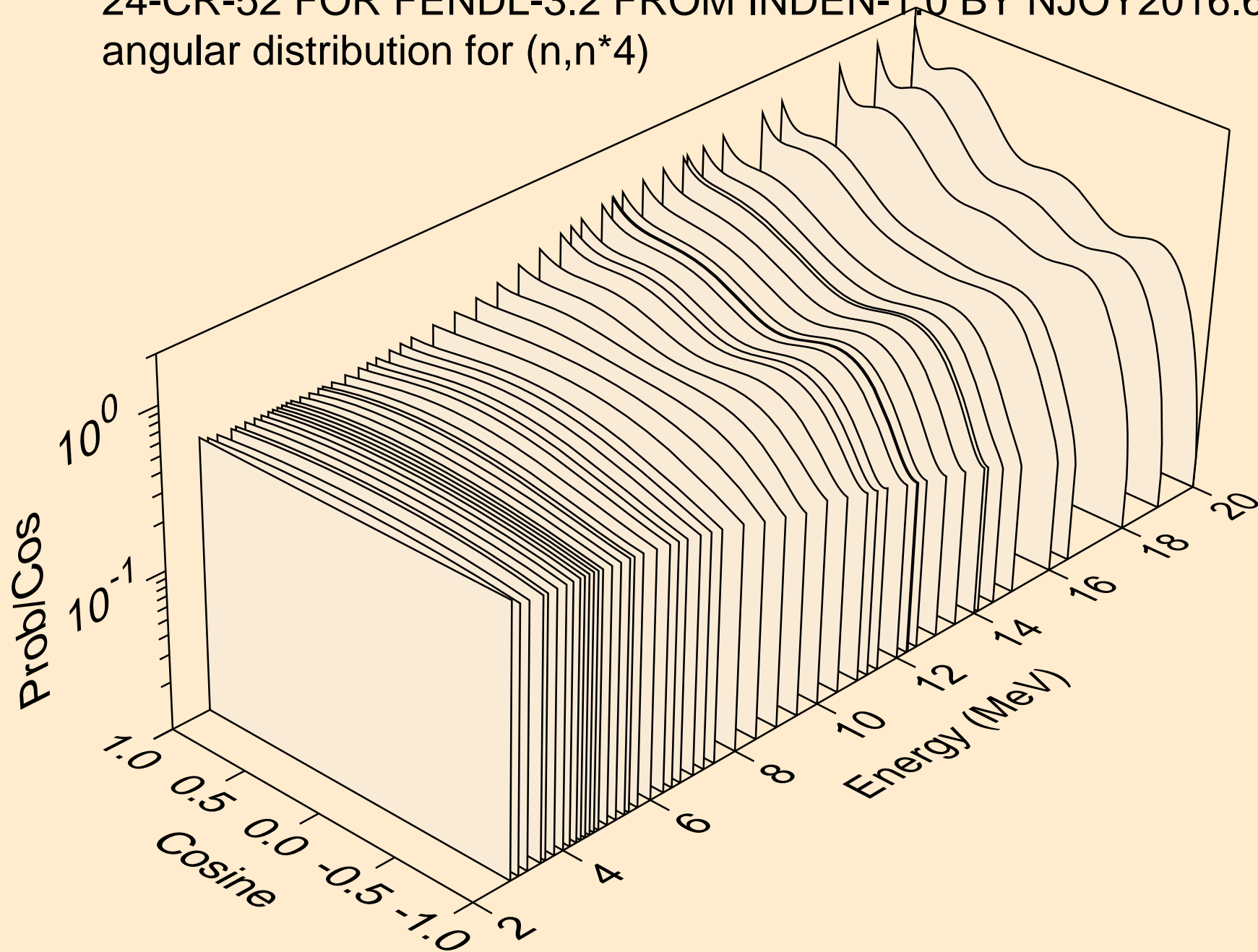
24-CR-52 FOR FENDL-3.2 FROM INDEN-1.0 BY NJOY2016.60+ OI
angular distribution for (n,n*3)



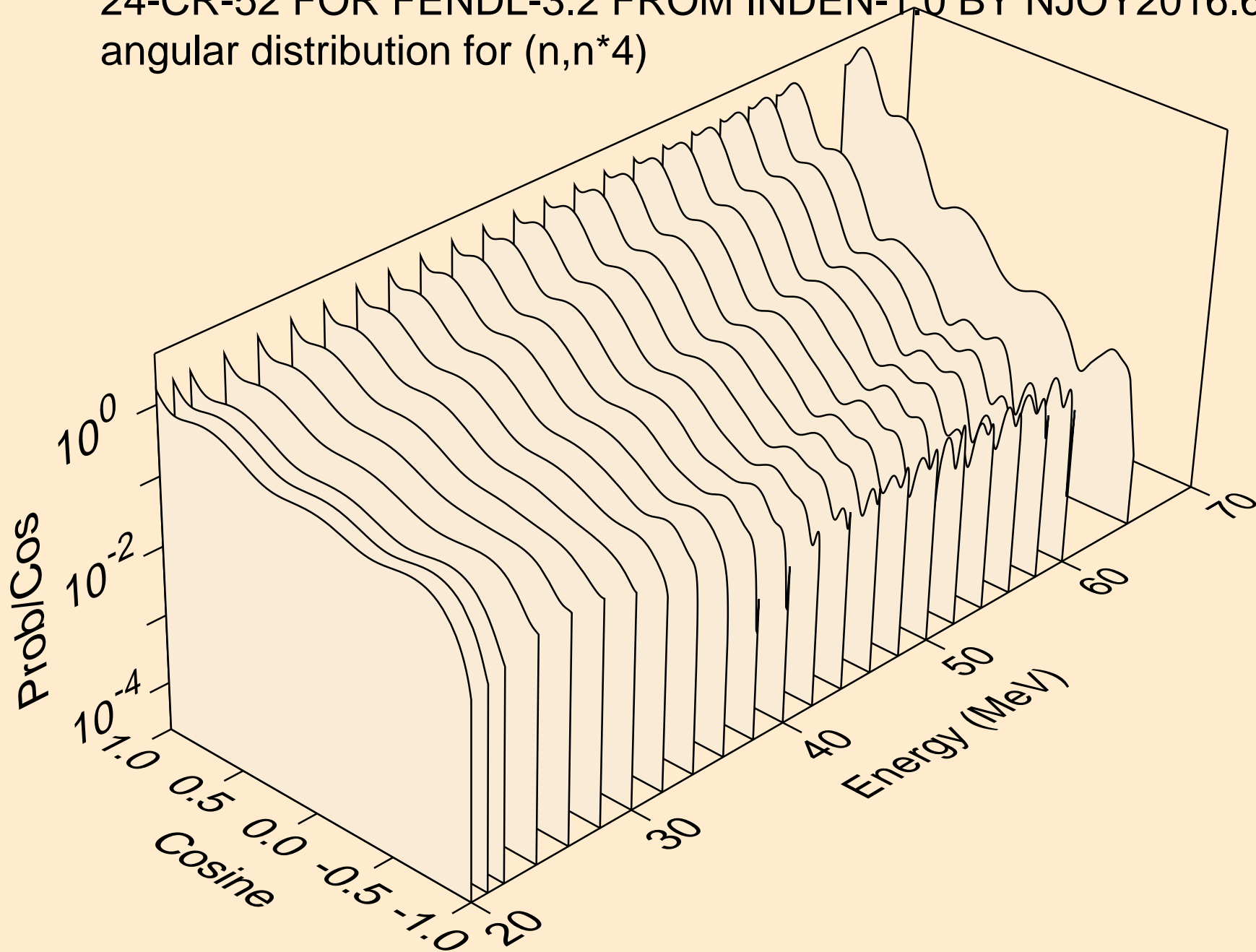
24-CR-52 FOR FENDL-3.2 FROM INDEN-1.0 BY NJOY2016.60+ OI
angular distribution for (n,n*3)



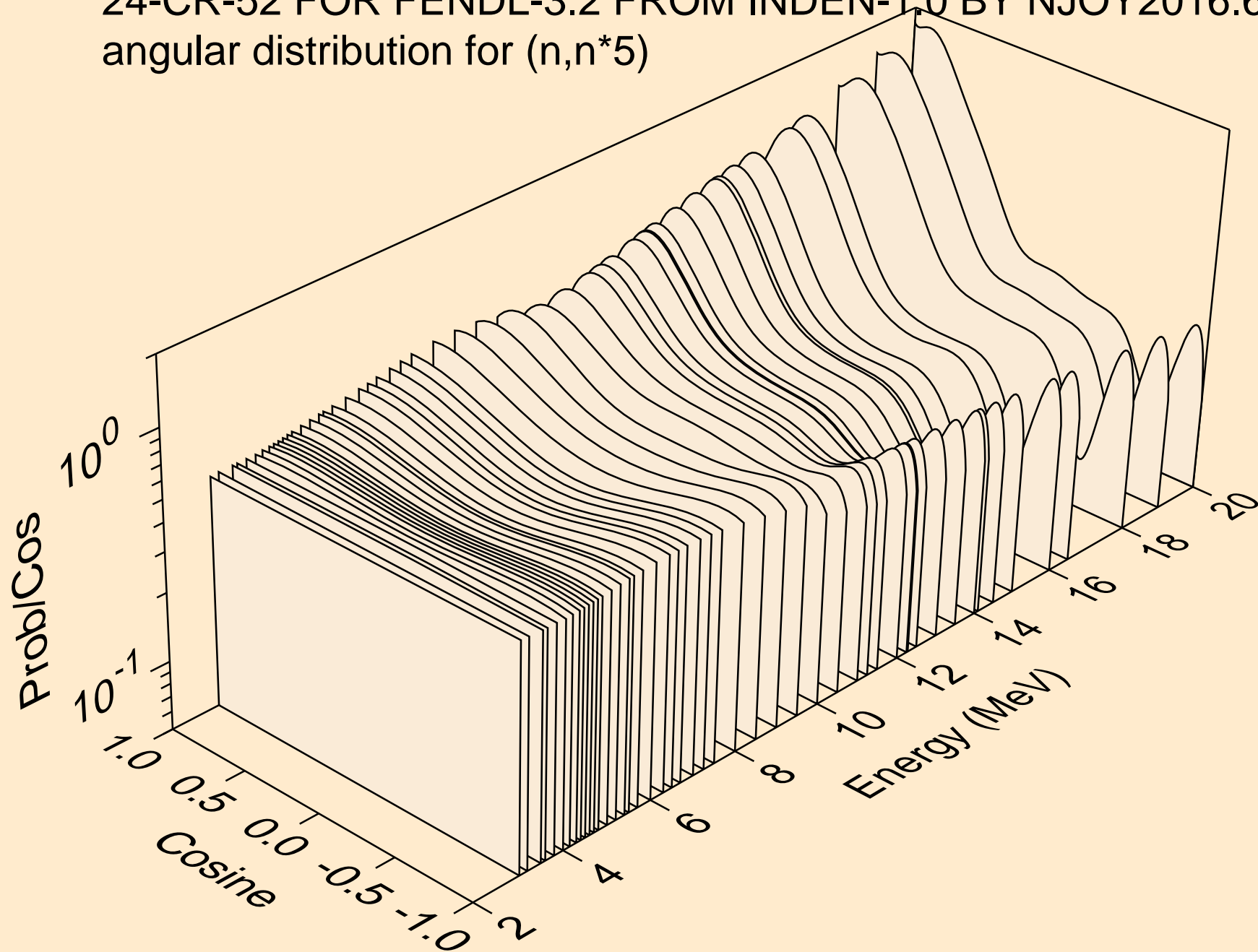
24-CR-52 FOR FENDL-3.2 FROM INDEN-1.0 BY NJOY2016.60+ OI
angular distribution for (n,n*4)



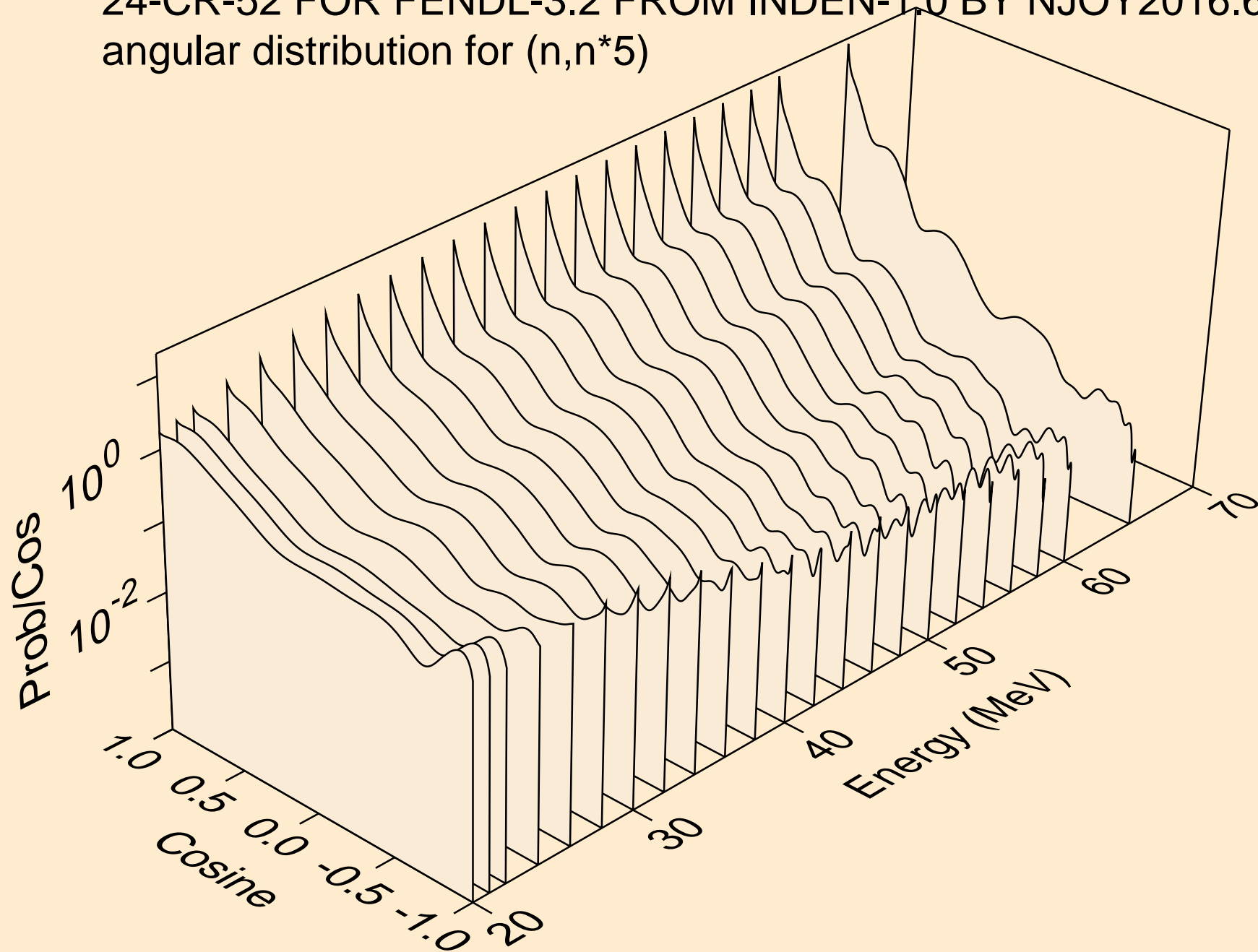
24-CR-52 FOR FENDL-3.2 FROM INDEN-1.0 BY NJOY2016.60+ OI
angular distribution for (n,n*4)



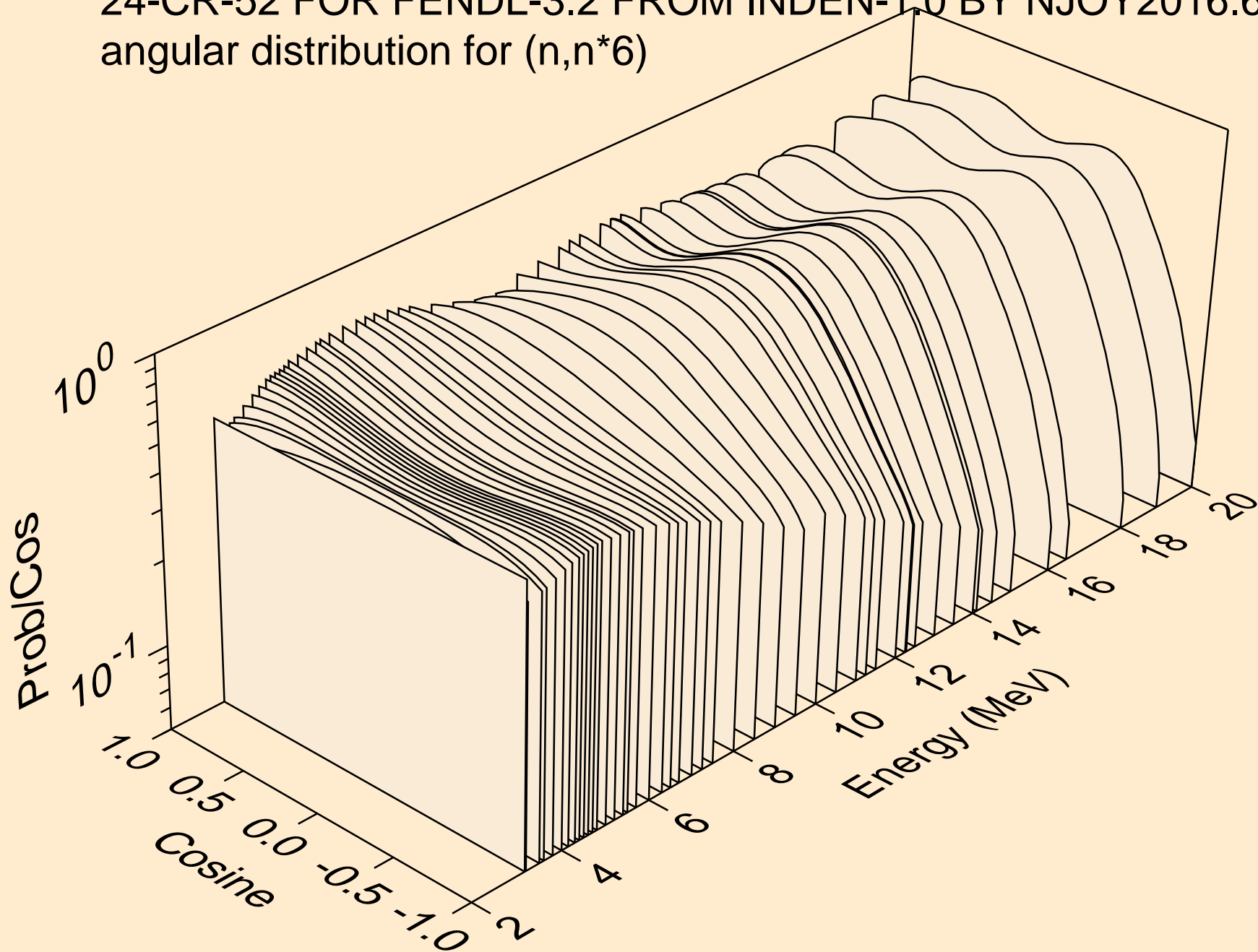
24-CR-52 FOR FENDL-3.2 FROM INDEN-1.0 BY NJOY2016.60+ OI
angular distribution for (n,n*5)



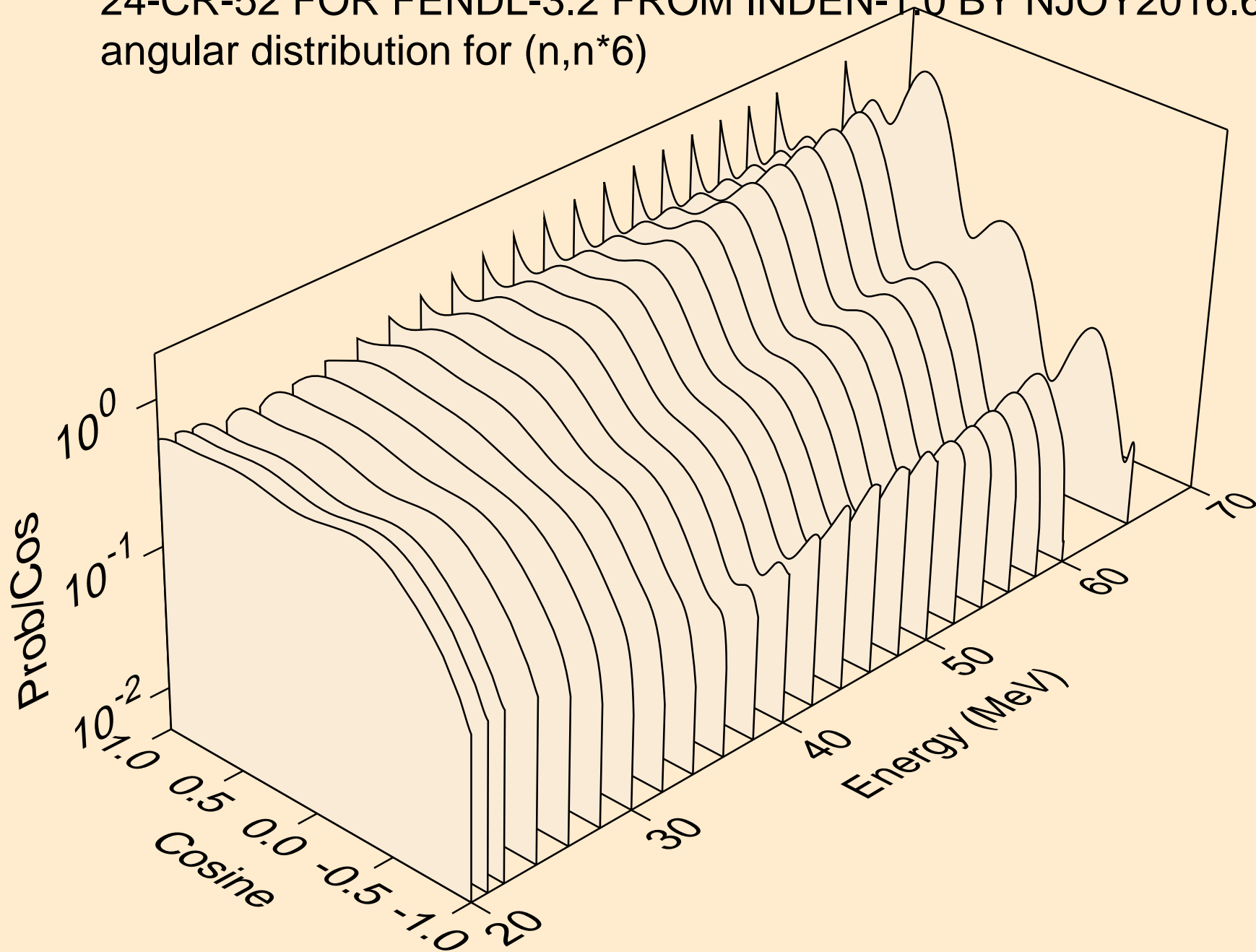
24-CR-52 FOR FENDL-3.2 FROM INDEN-1.0 BY NJOY2016.60+ OI
angular distribution for (n,n*5)



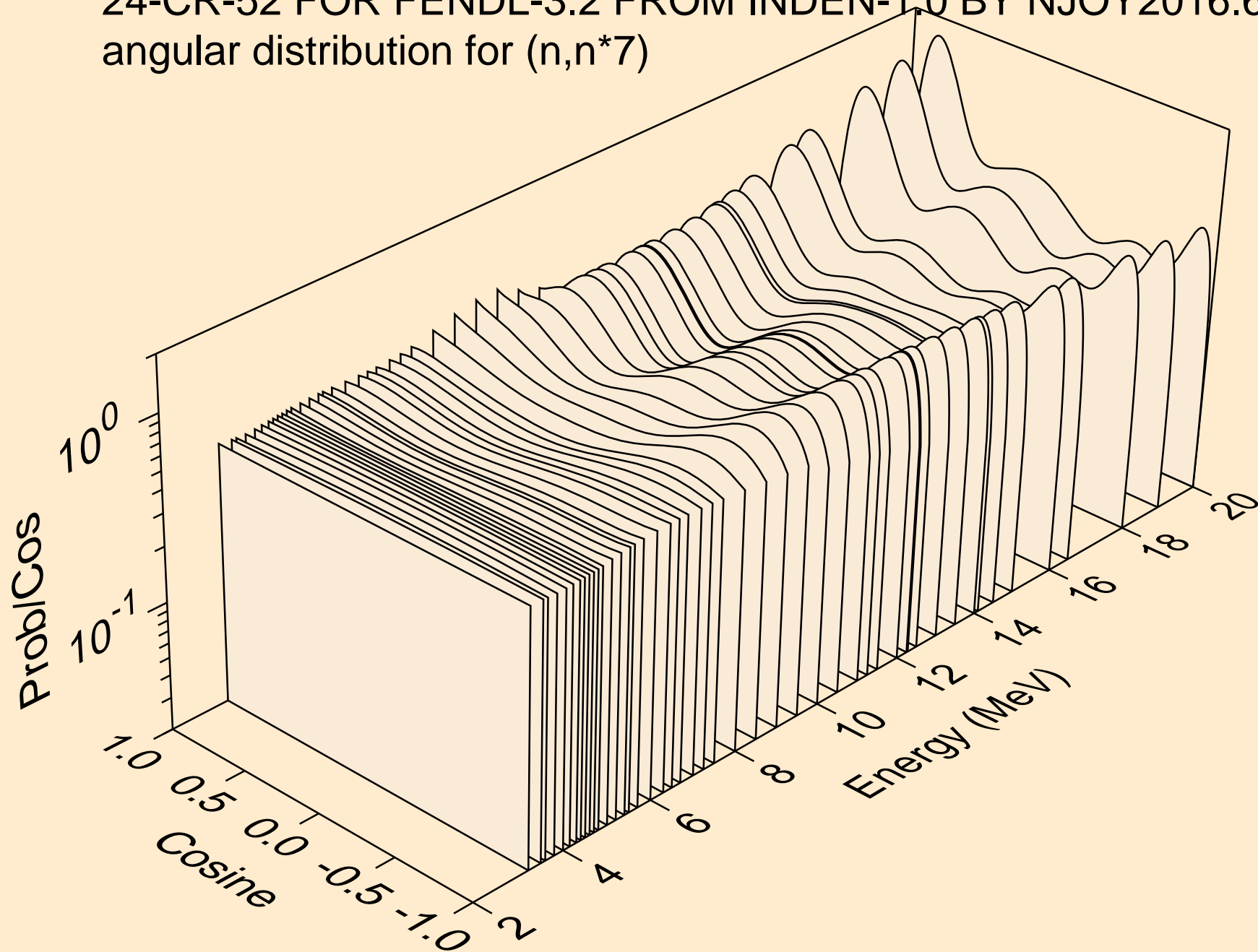
24-CR-52 FOR FENDL-3.2 FROM INDEN-1.0 BY NJOY2016.60+ OI
angular distribution for (n,n*6)



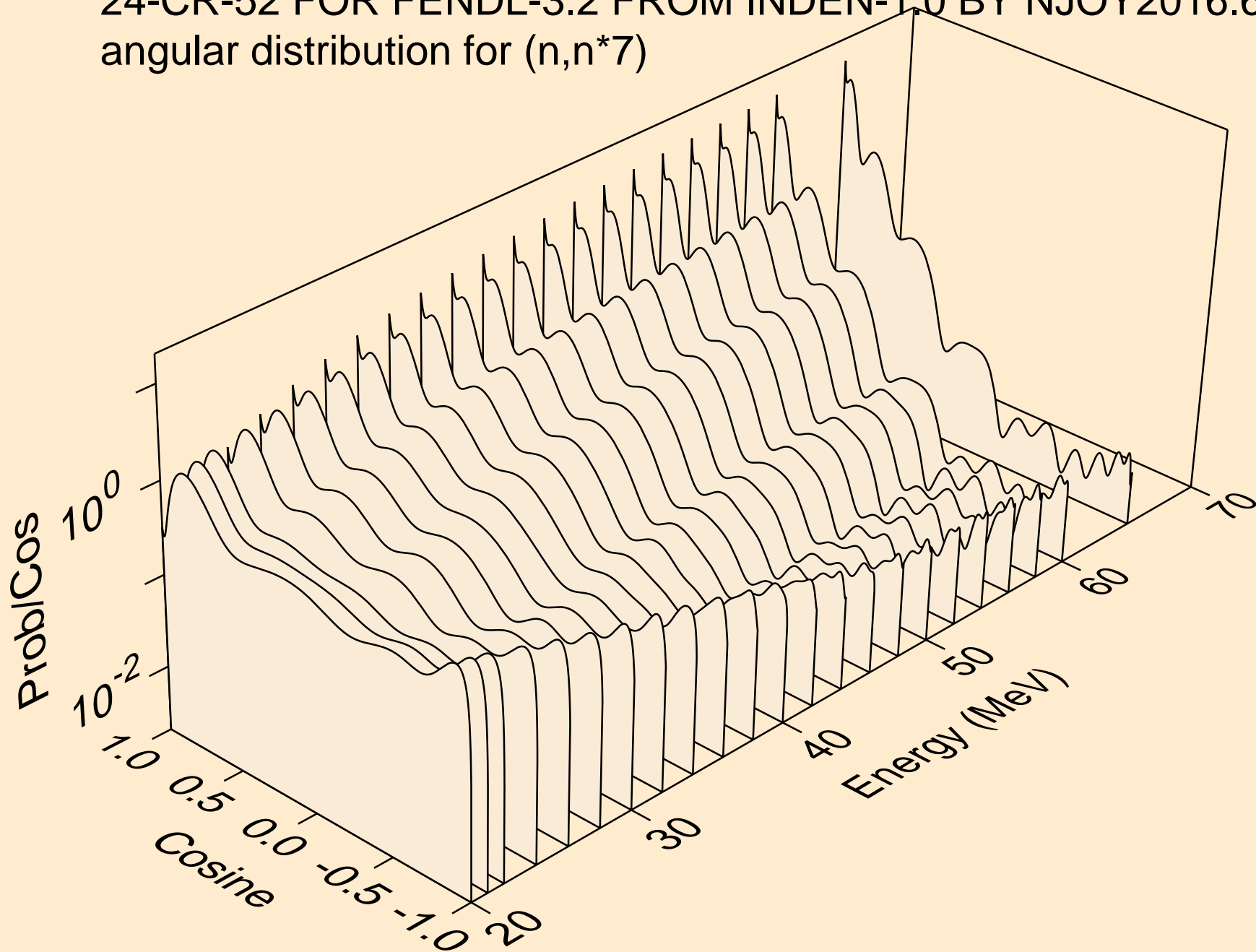
24-CR-52 FOR FENDL-3.2 FROM INDEN-1.0 BY NJOY2016.60+ OI
angular distribution for (n,n*6)



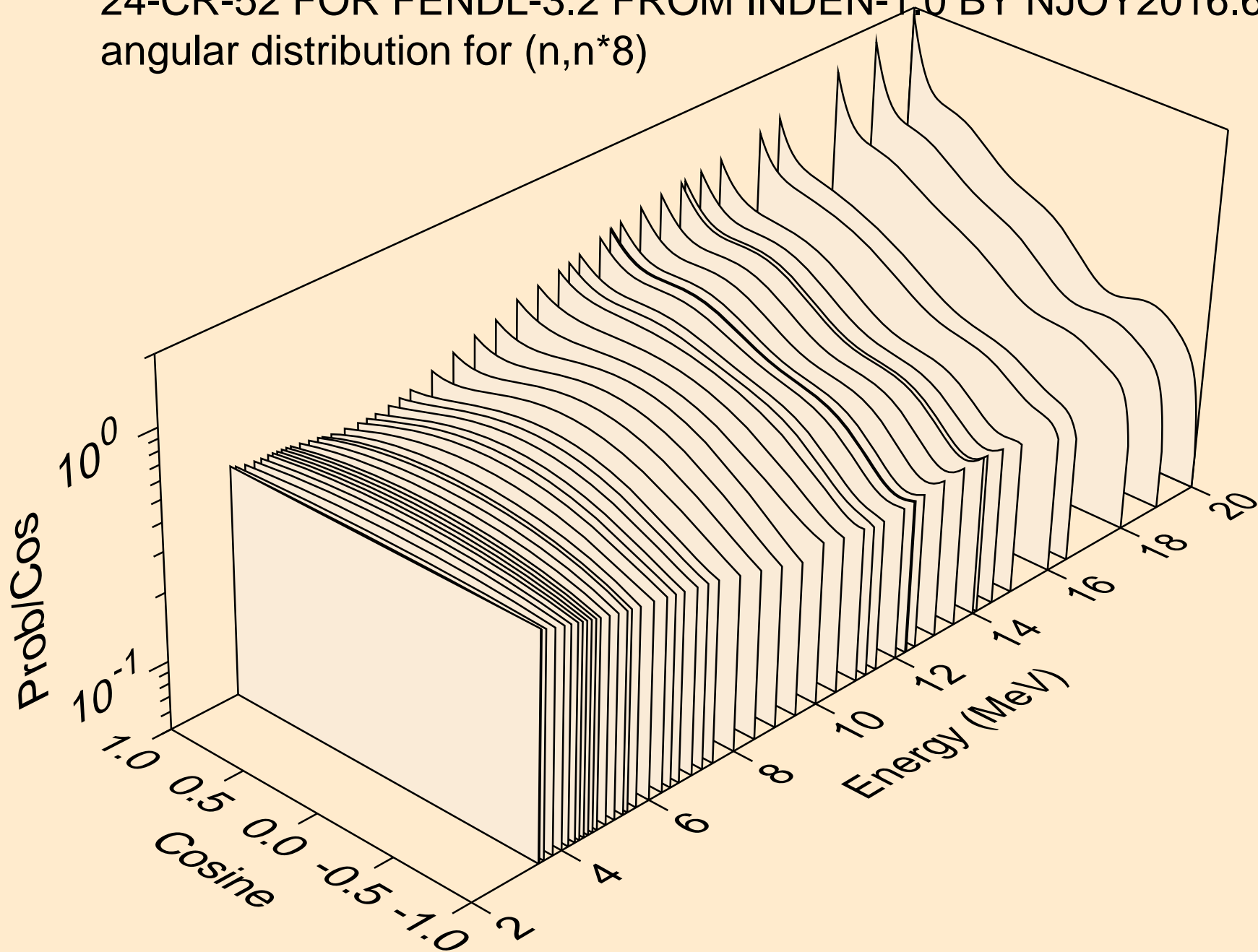
24-CR-52 FOR FENDL-3.2 FROM INDEN-1.0 BY NJOY2016.60+ OI
angular distribution for (n,n*7)



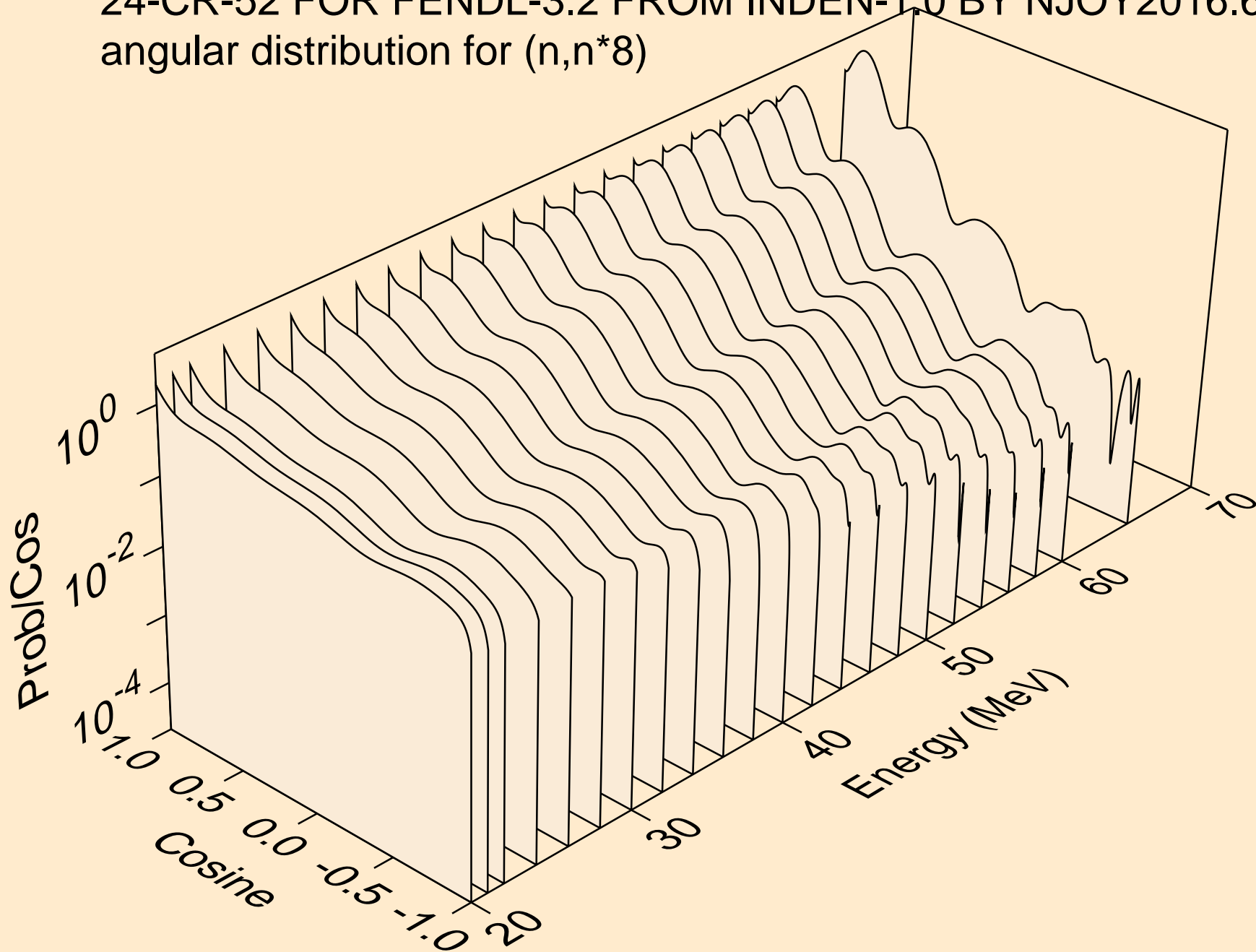
24-CR-52 FOR FENDL-3.2 FROM INDEN-1.0 BY NJOY2016.60+ OI
angular distribution for (n,n*7)



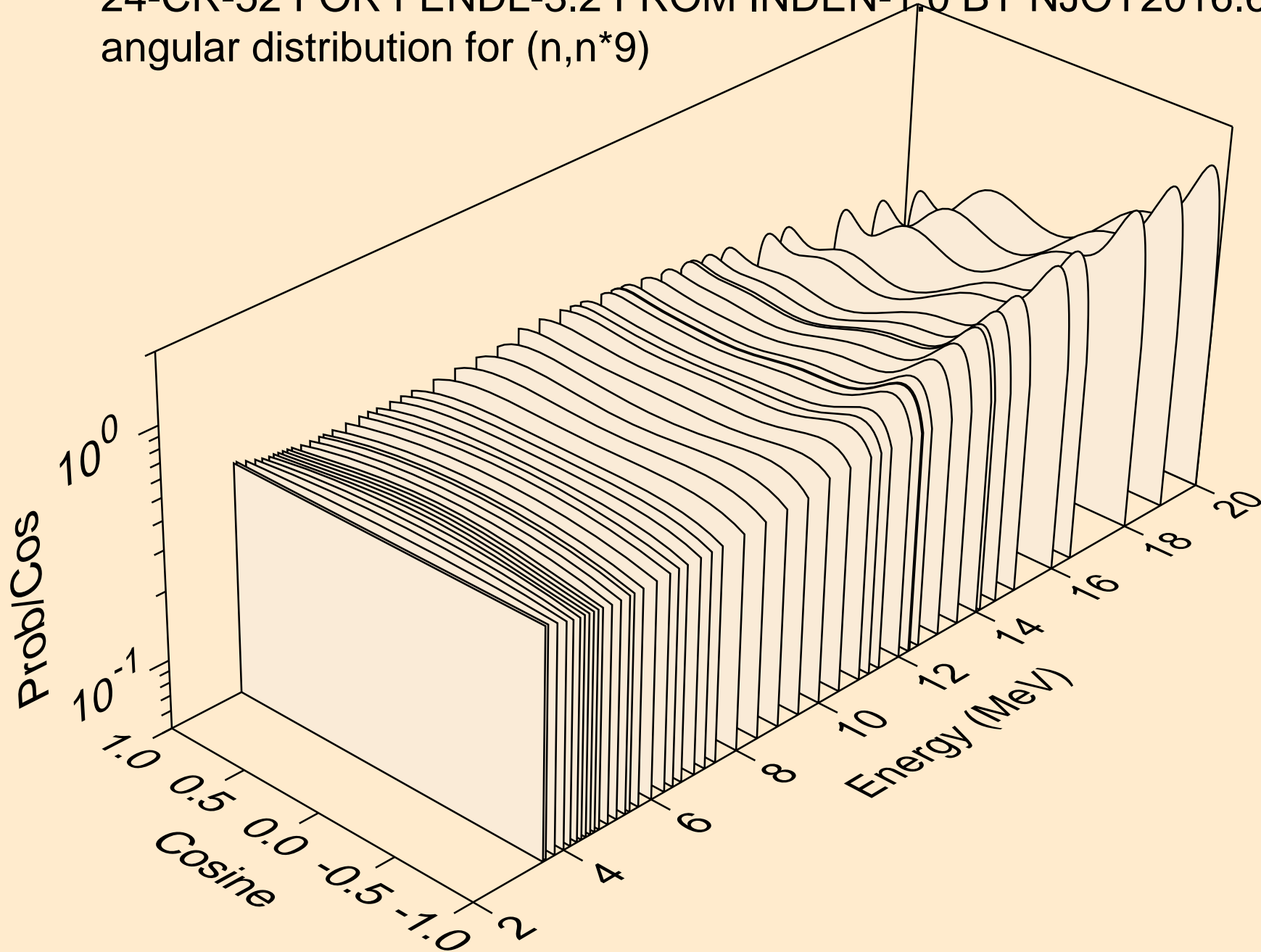
24-CR-52 FOR FENDL-3.2 FROM INDEN-1.0 BY NJOY2016.60+ OI
angular distribution for (n,n*8)



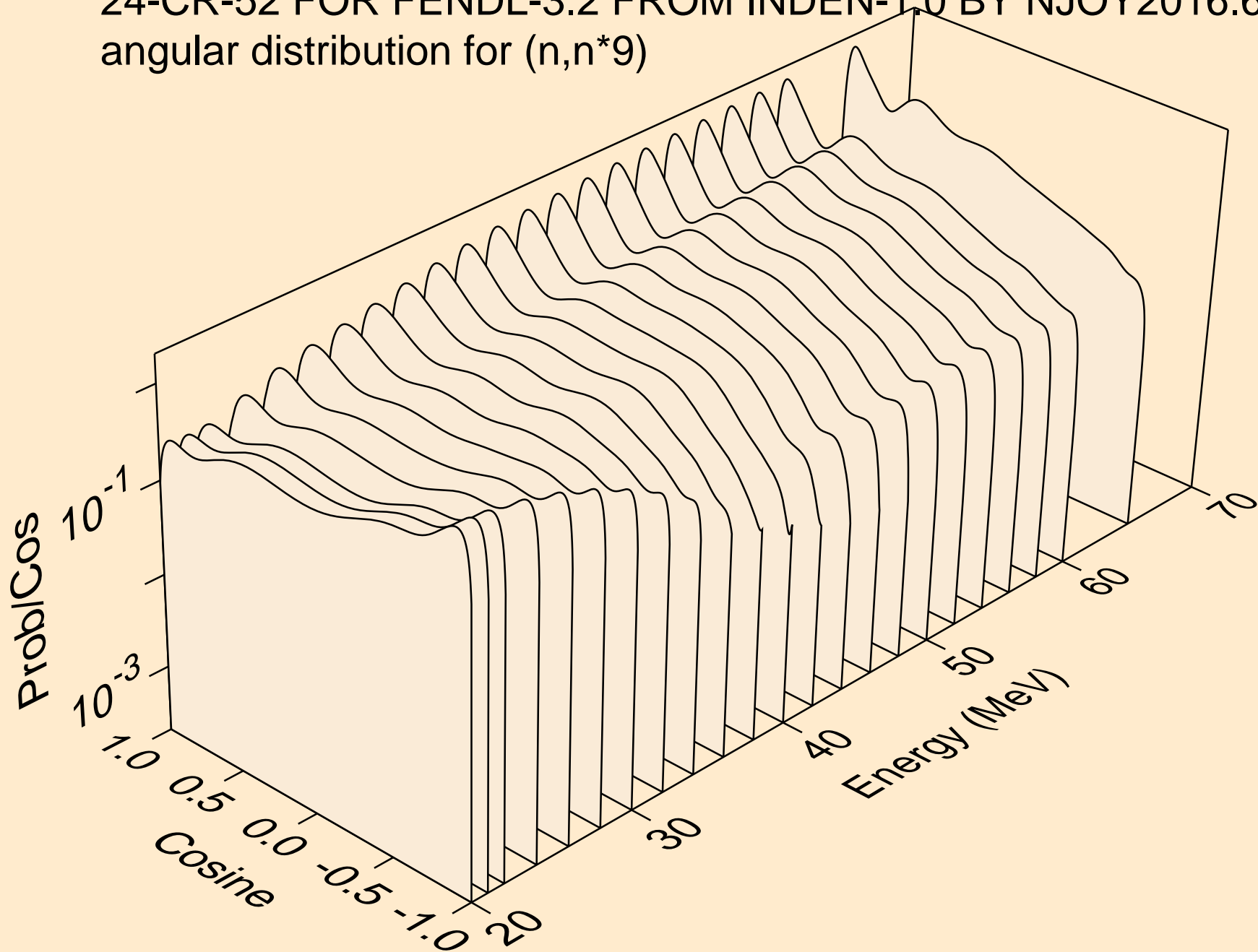
24-CR-52 FOR FENDL-3.2 FROM INDEN-1.0 BY NJOY2016.60+ OI
angular distribution for (n,n*8)



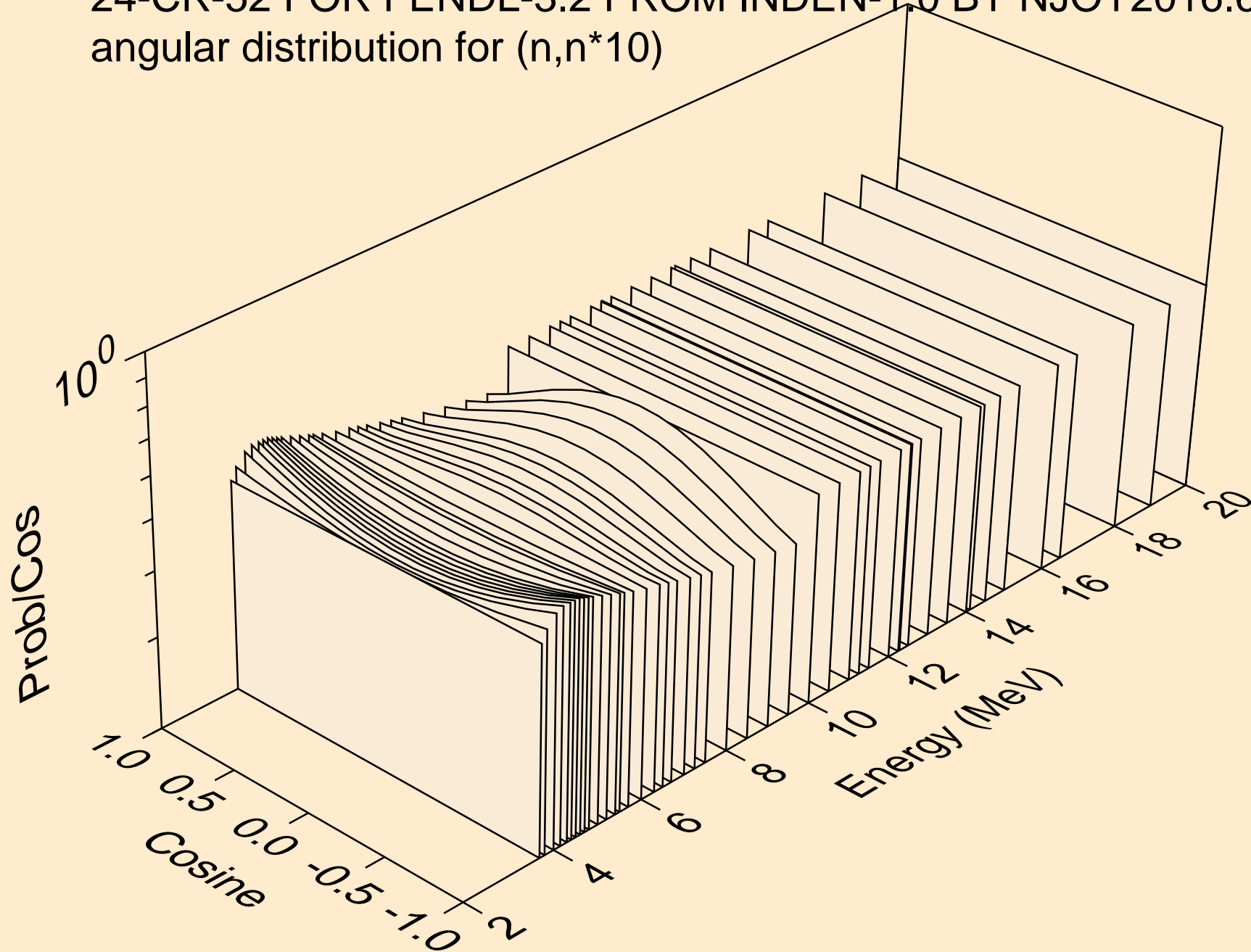
24-CR-52 FOR FENDL-3.2 FROM INDEN-1.0 BY NJOY2016.60+ OI
angular distribution for (n,n*9)



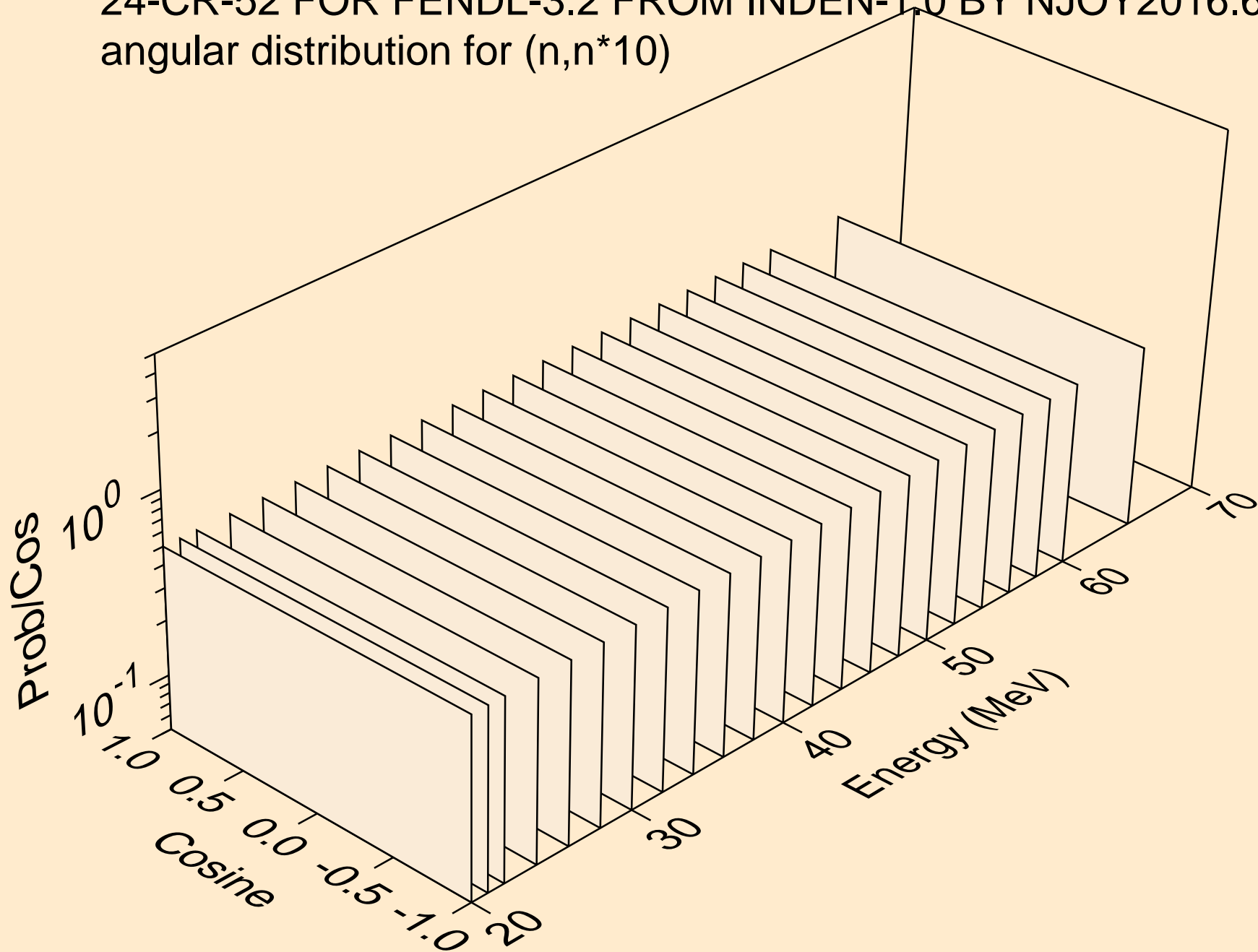
24-CR-52 FOR FENDL-3.2 FROM INDEN-1.0 BY NJOY2016.60+ OI
angular distribution for (n,n*9)



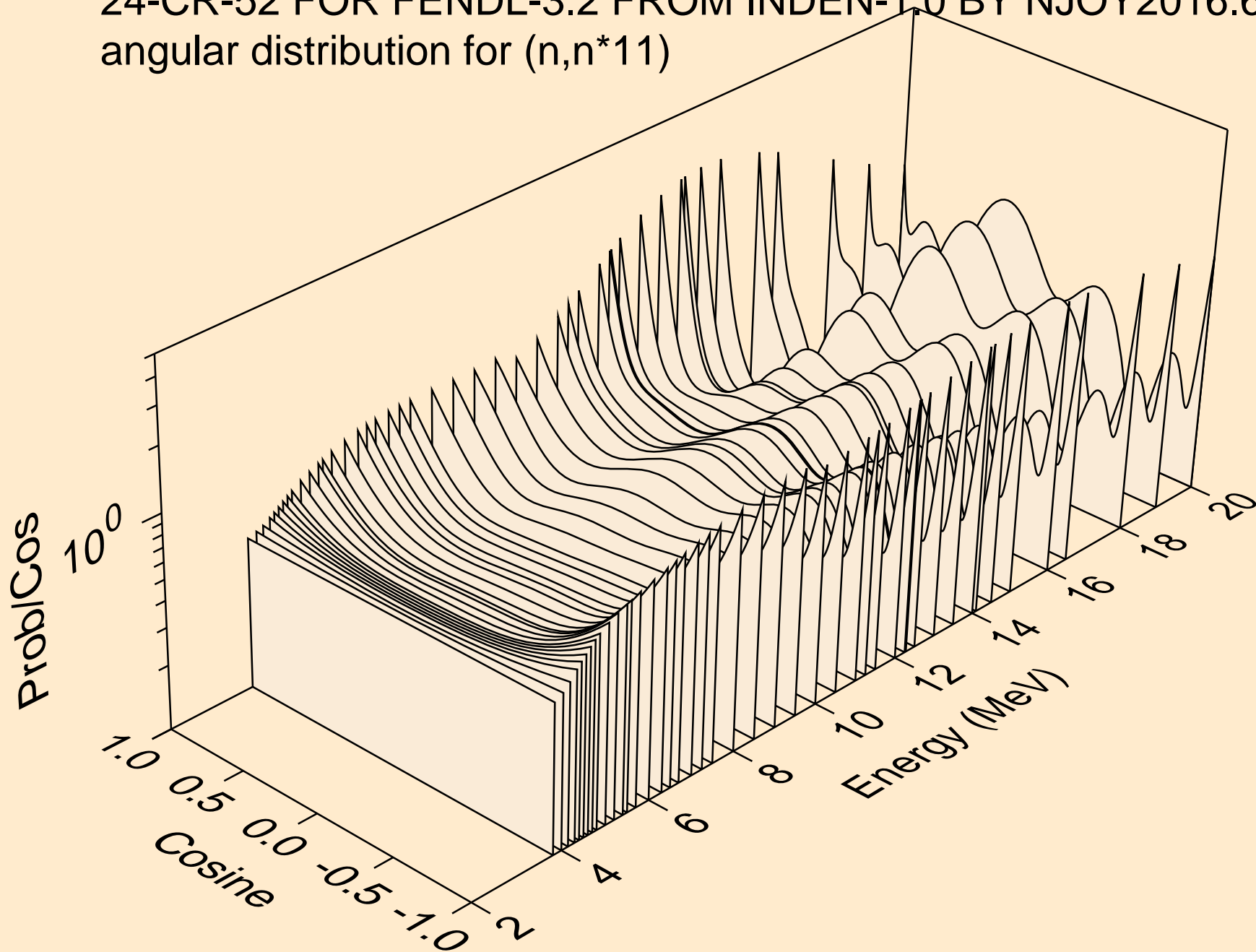
24-CR-52 FOR FENDL-3.2 FROM INDEN-1.0 BY NJOY2016.60+ OI
angular distribution for (n,n*10)



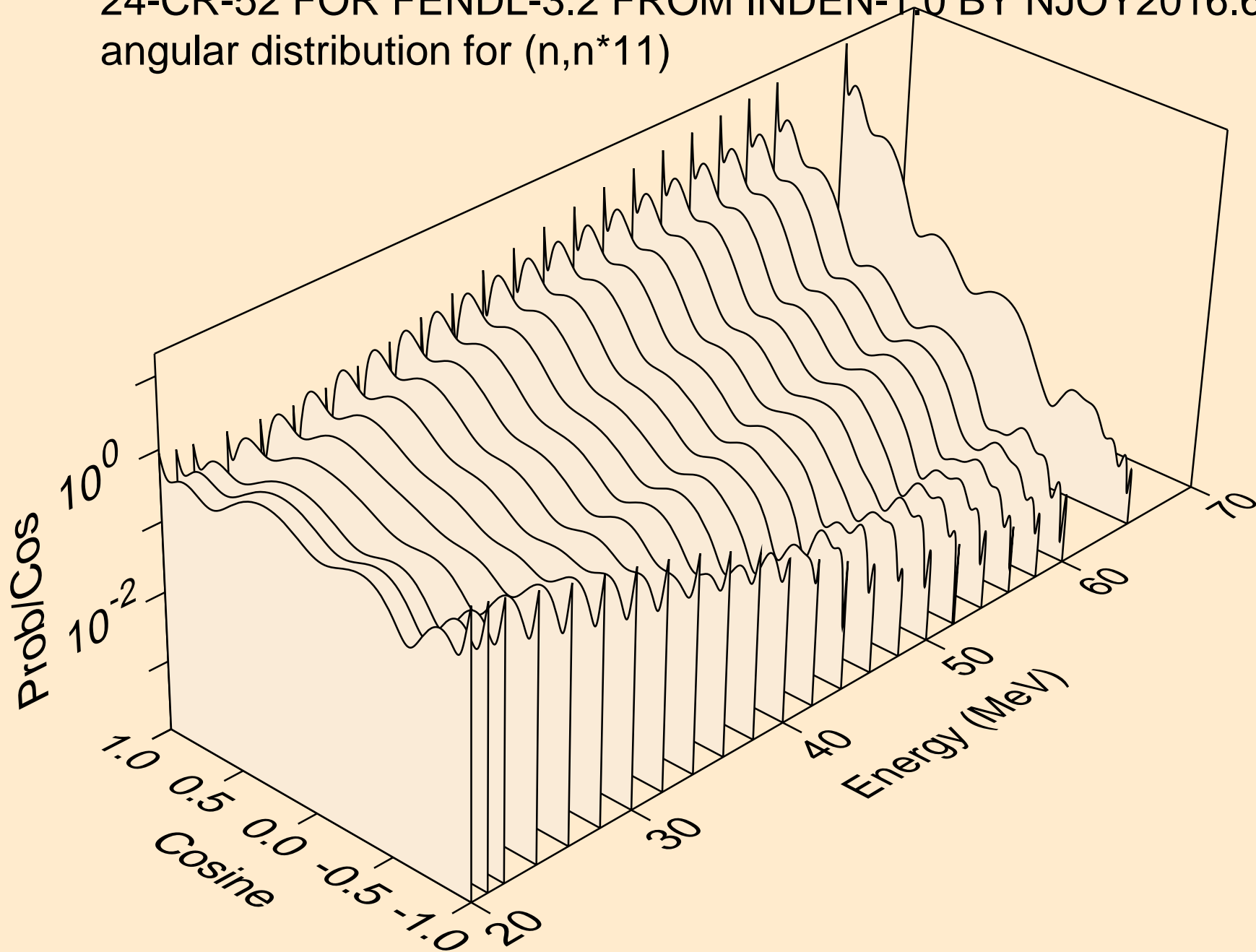
24-CR-52 FOR FENDL-3.2 FROM INDEN-1.0 BY NJOY2016.60+ OI
angular distribution for (n,n*10)



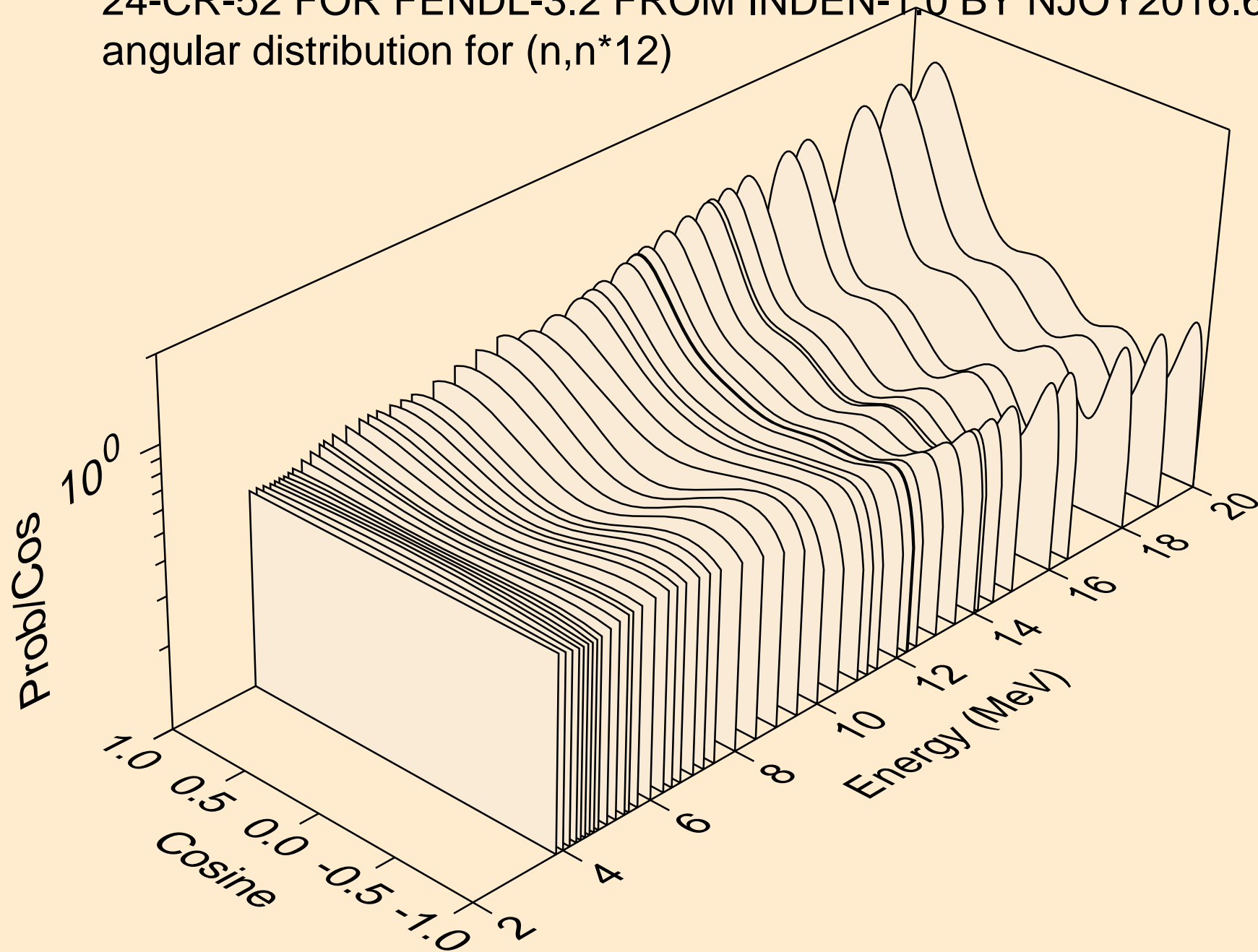
24-CR-52 FOR FENDL-3.2 FROM INDEN-1.0 BY NJOY2016.60+ OI
angular distribution for (n,n*11)



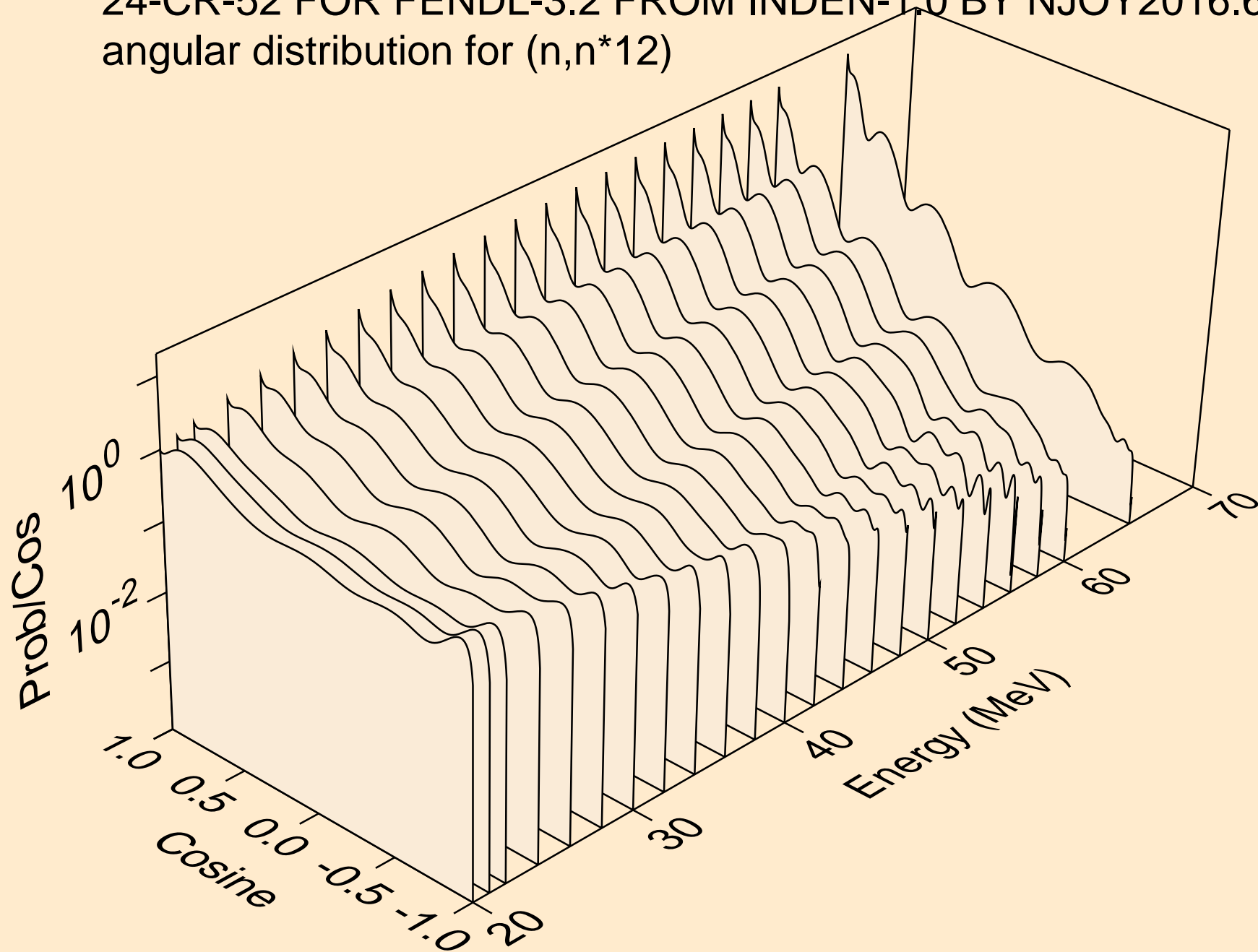
24-CR-52 FOR FENDL-3.2 FROM INDEN-1.0 BY NJOY2016.60+ OI
angular distribution for (n,n*11)



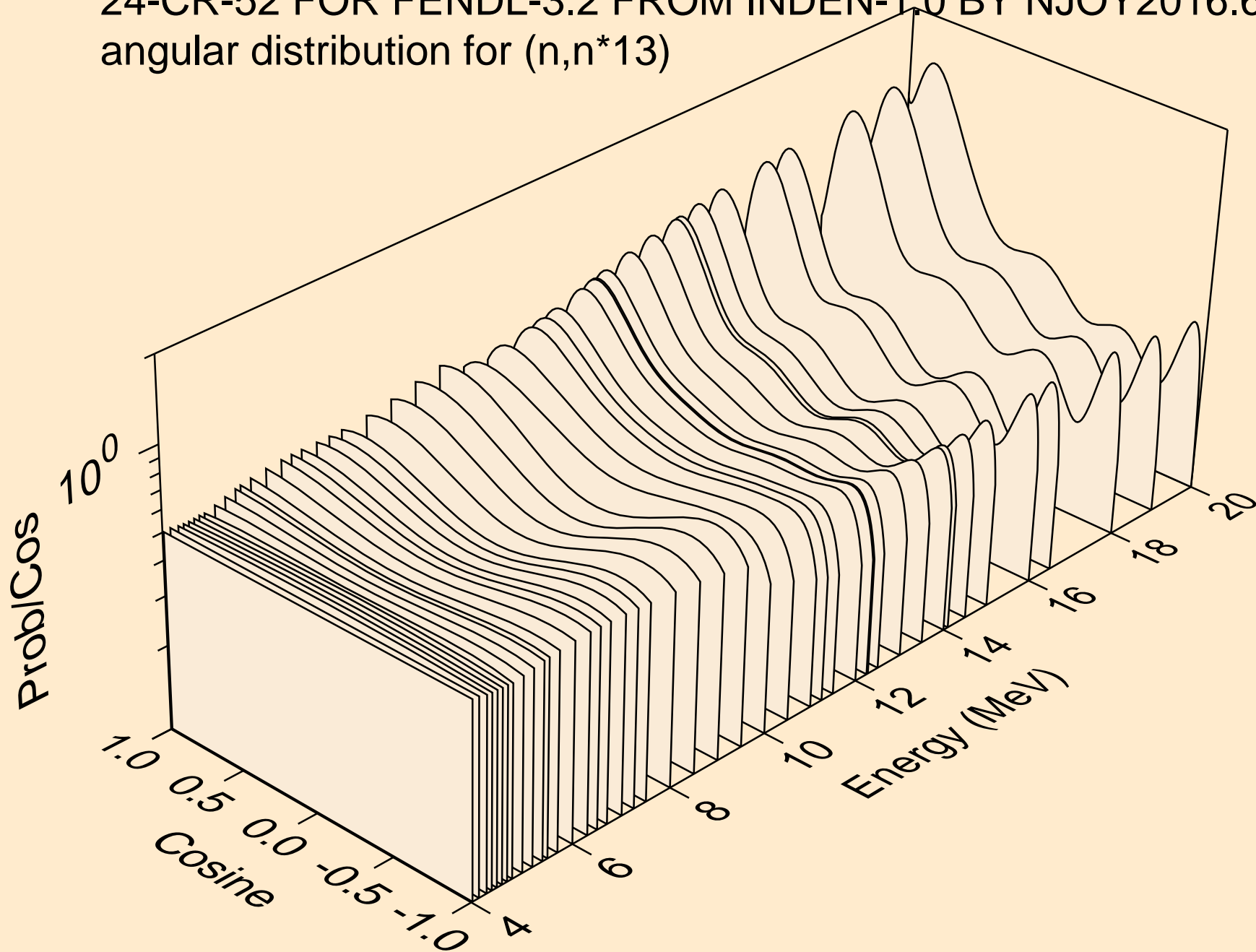
24-CR-52 FOR FENDL-3.2 FROM INDEN-1.0 BY NJOY2016.60+ OI
angular distribution for (n,n*12)



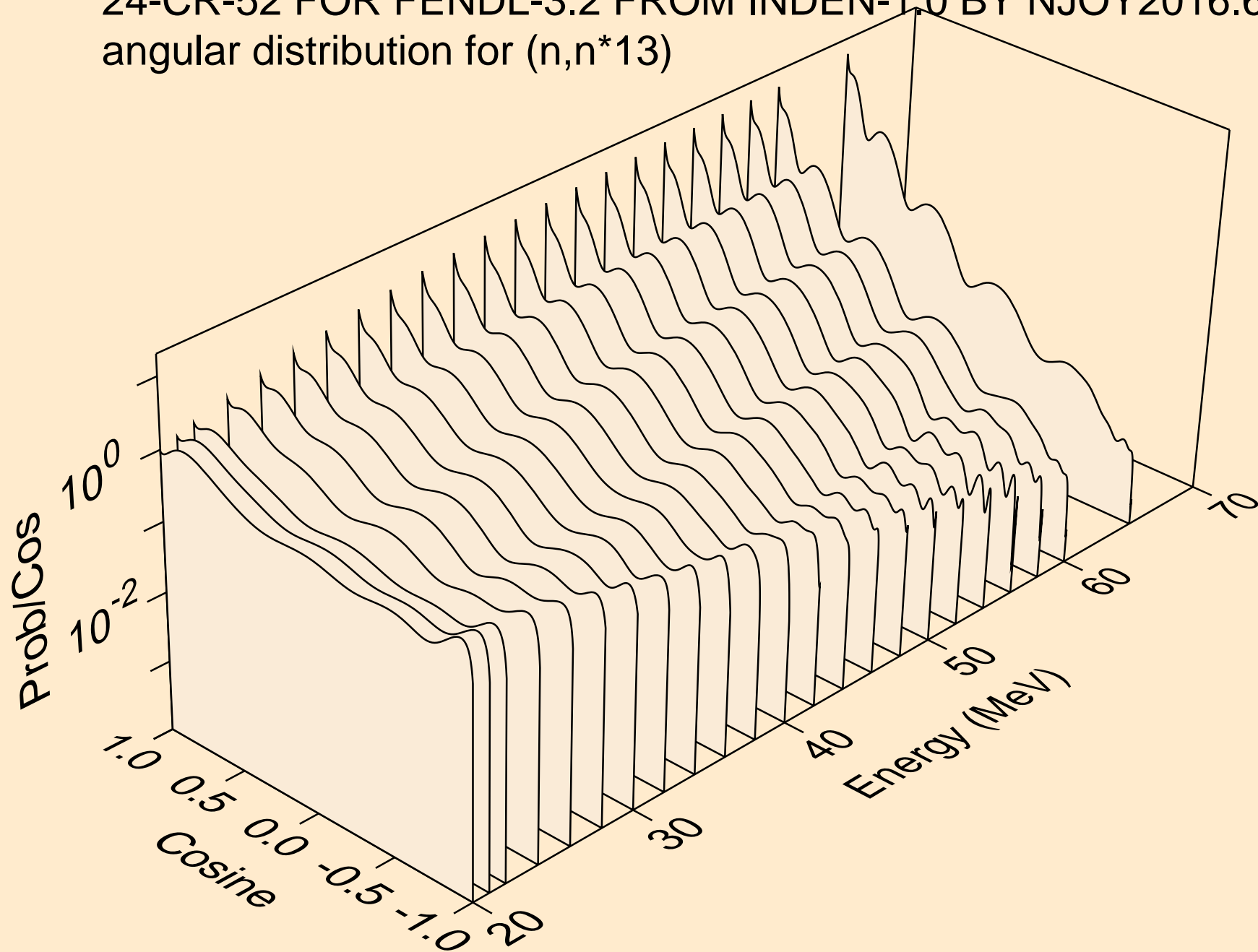
24-CR-52 FOR FENDL-3.2 FROM INDEN-1.0 BY NJOY2016.60+ OI
angular distribution for (n,n*12)



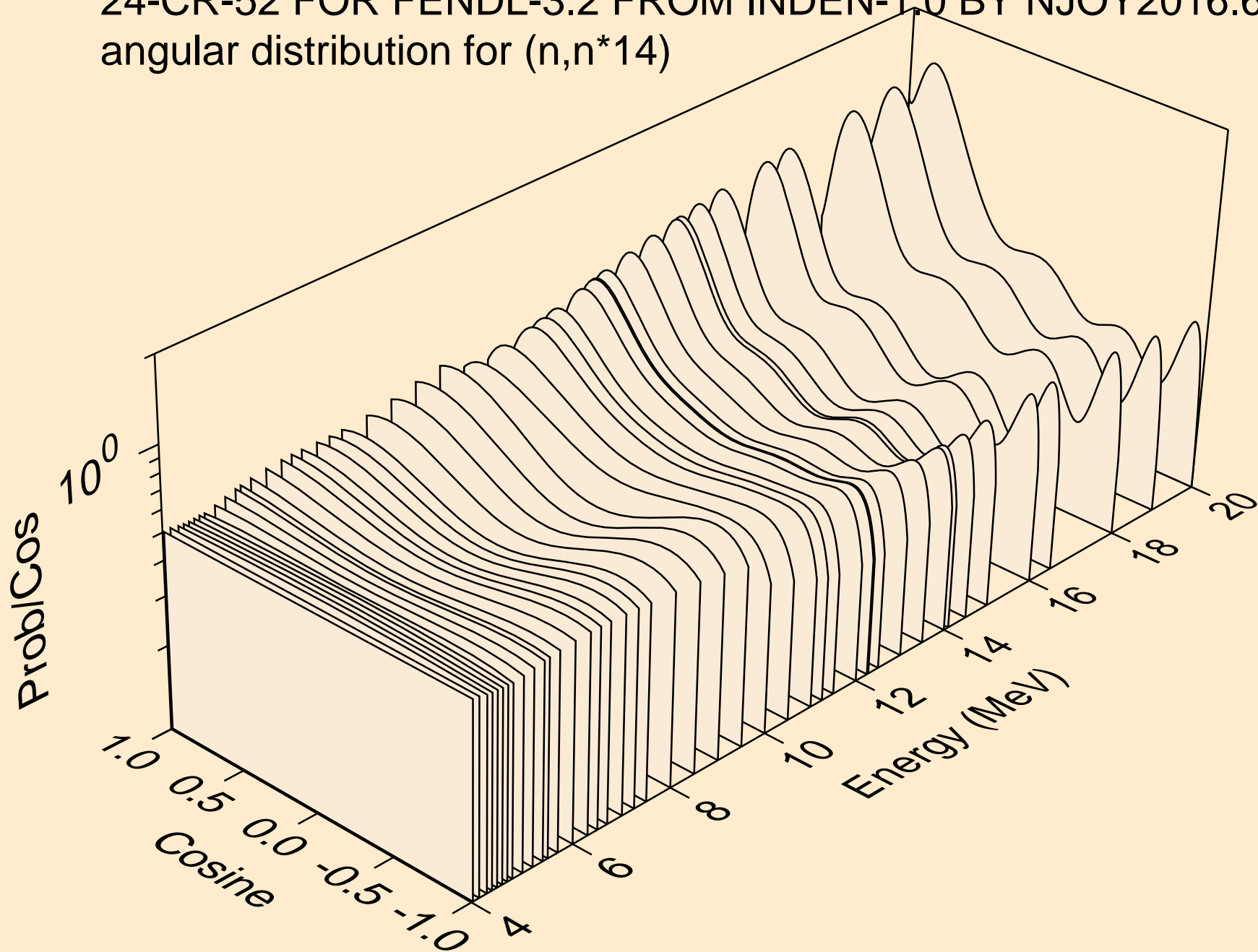
24-CR-52 FOR FENDL-3.2 FROM INDEN-1.0 BY NJOY2016.60+ OI
angular distribution for (n,n*13)



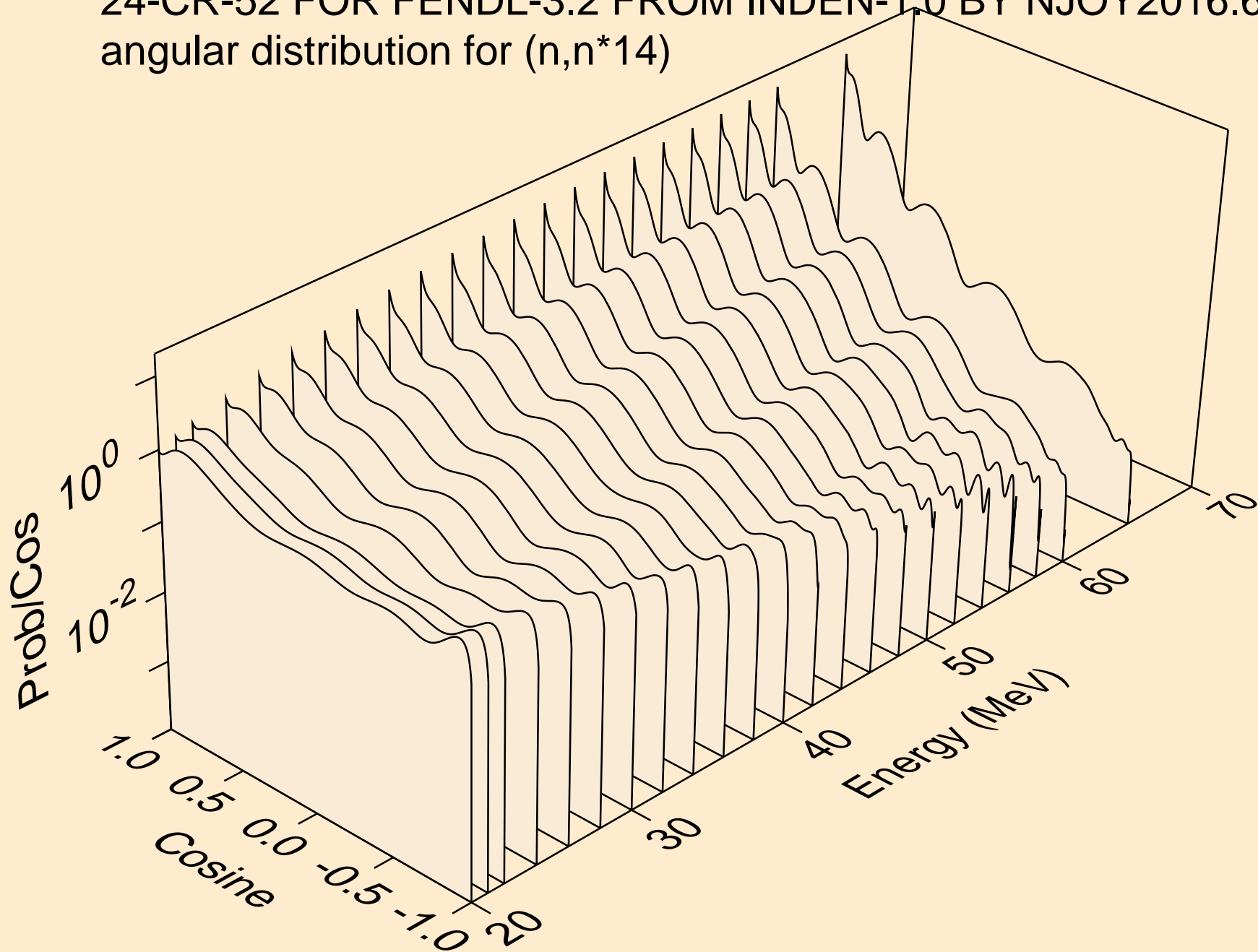
24-CR-52 FOR FENDL-3.2 FROM INDEN-1.0 BY NJOY2016.60+ OI
angular distribution for (n,n*13)



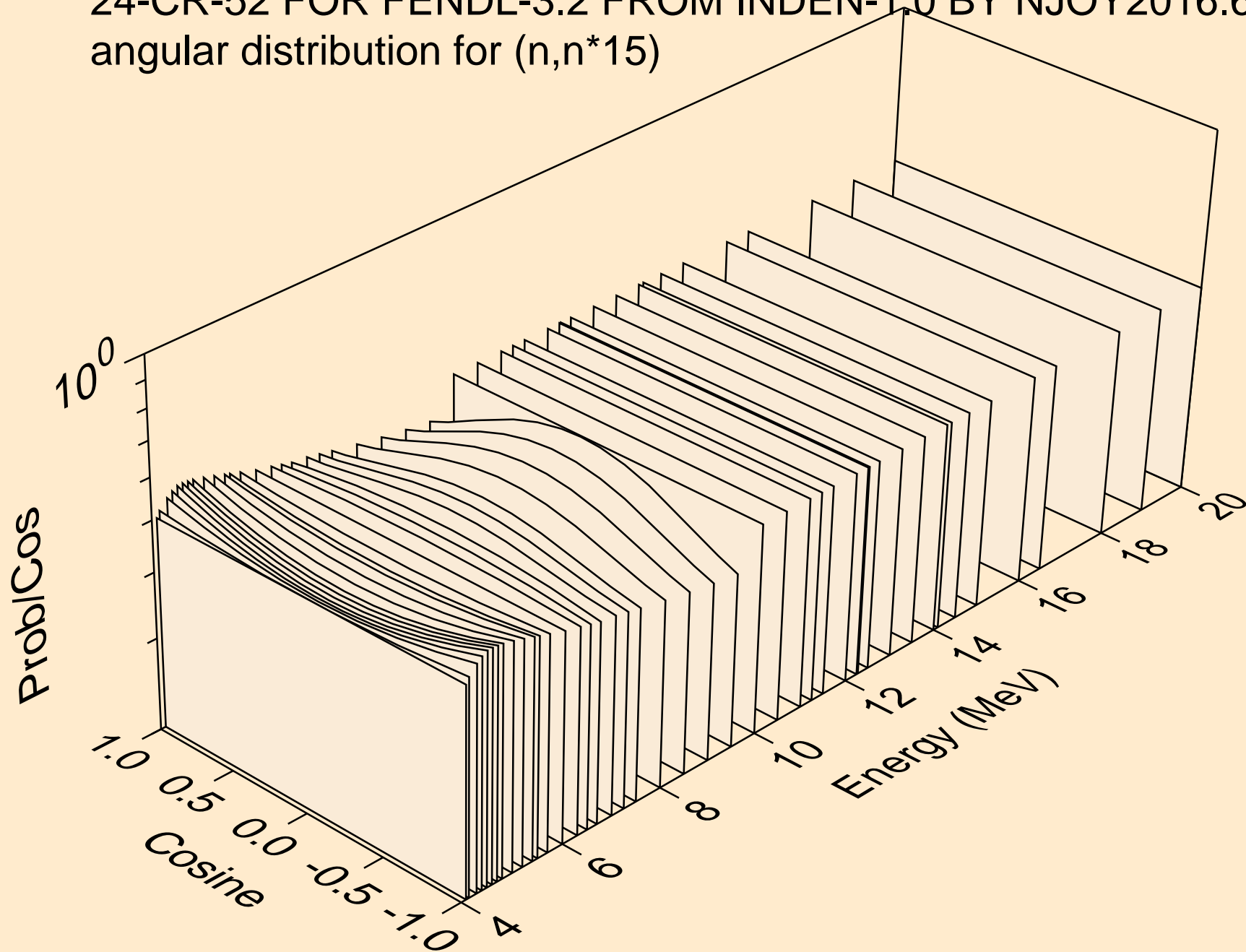
24-CR-52 FOR FENDL-3.2 FROM INDEN-1.0 BY NJOY2016.60+ OI
angular distribution for (n,n*14)



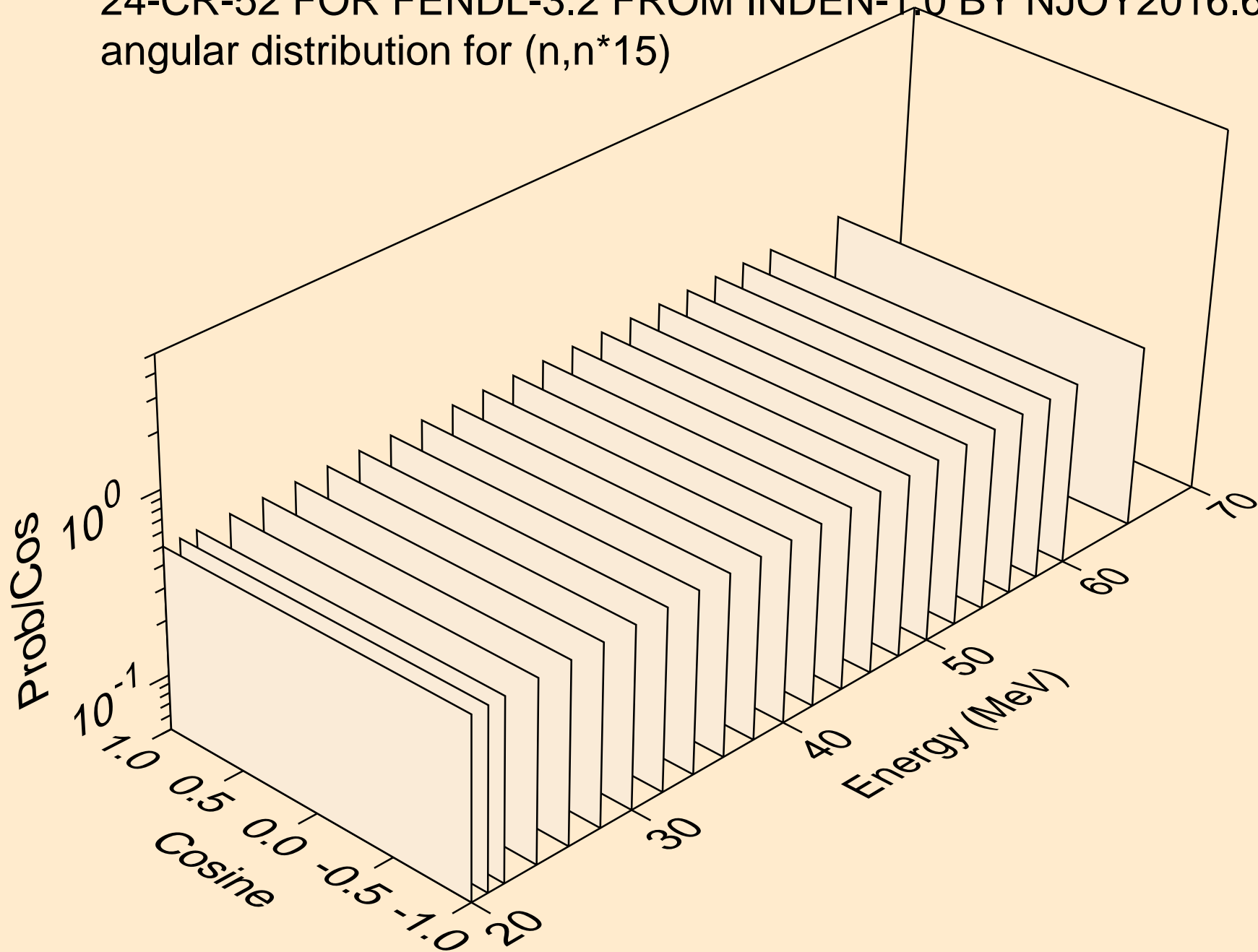
24-CR-52 FOR FENDL-3.2 FROM INDEN-1.0 BY NJOY2016.60+ OI
angular distribution for (n,n*14)



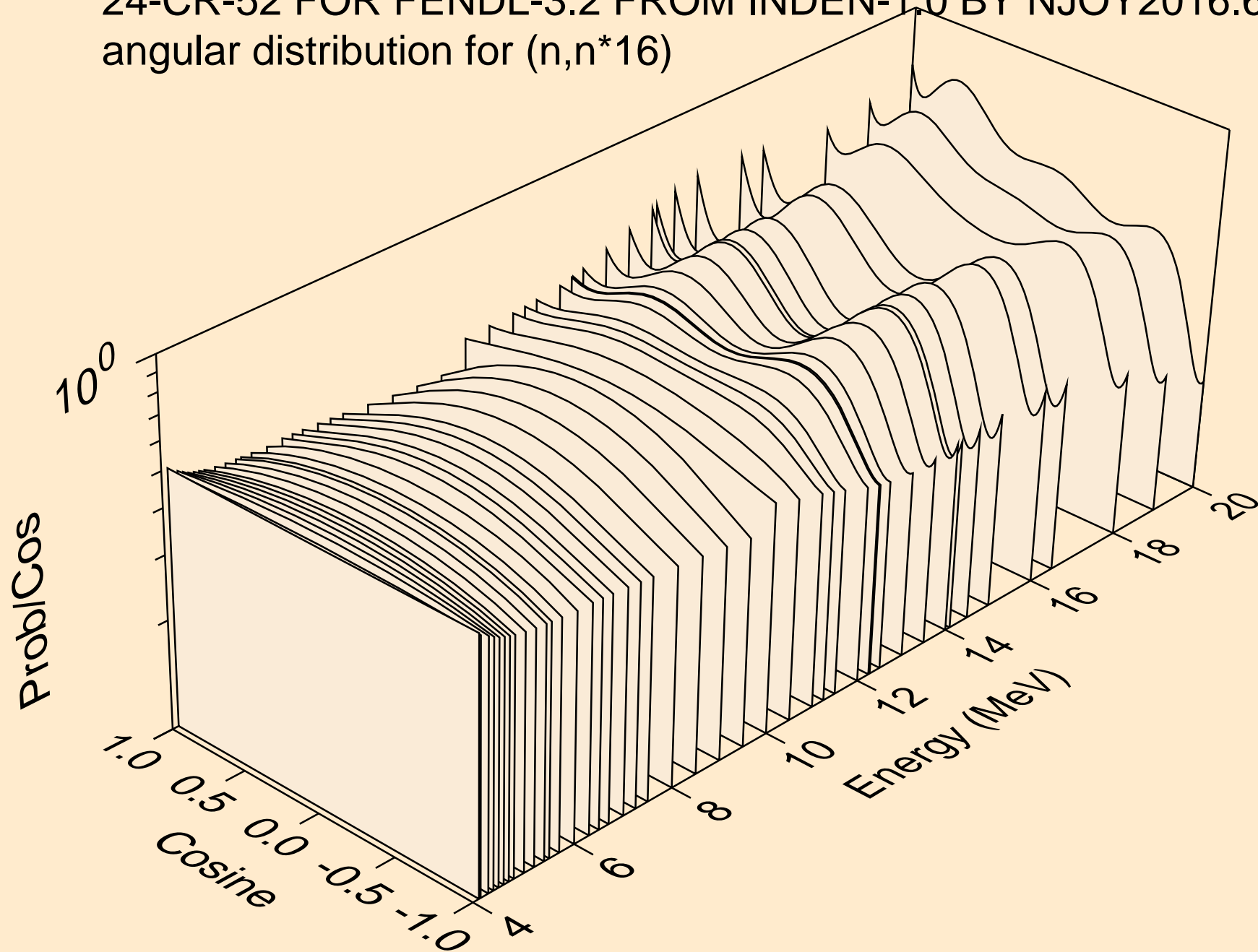
24-CR-52 FOR FENDL-3.2 FROM INDEN-1.0 BY NJOY2016.60+ OI
angular distribution for (n,n*15)



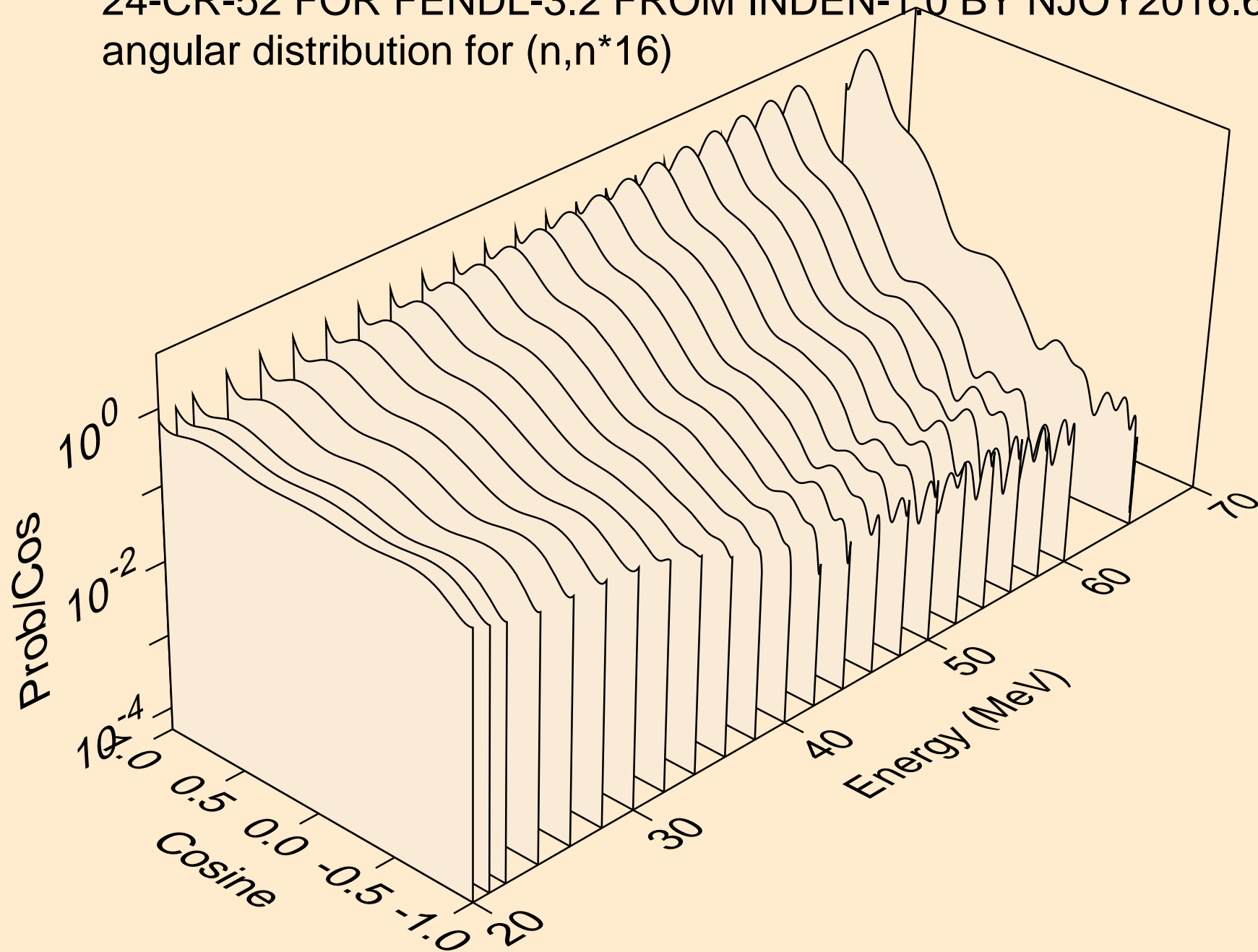
24-CR-52 FOR FENDL-3.2 FROM INDEN-1.0 BY NJOY2016.60+ OI
angular distribution for (n,n*15)



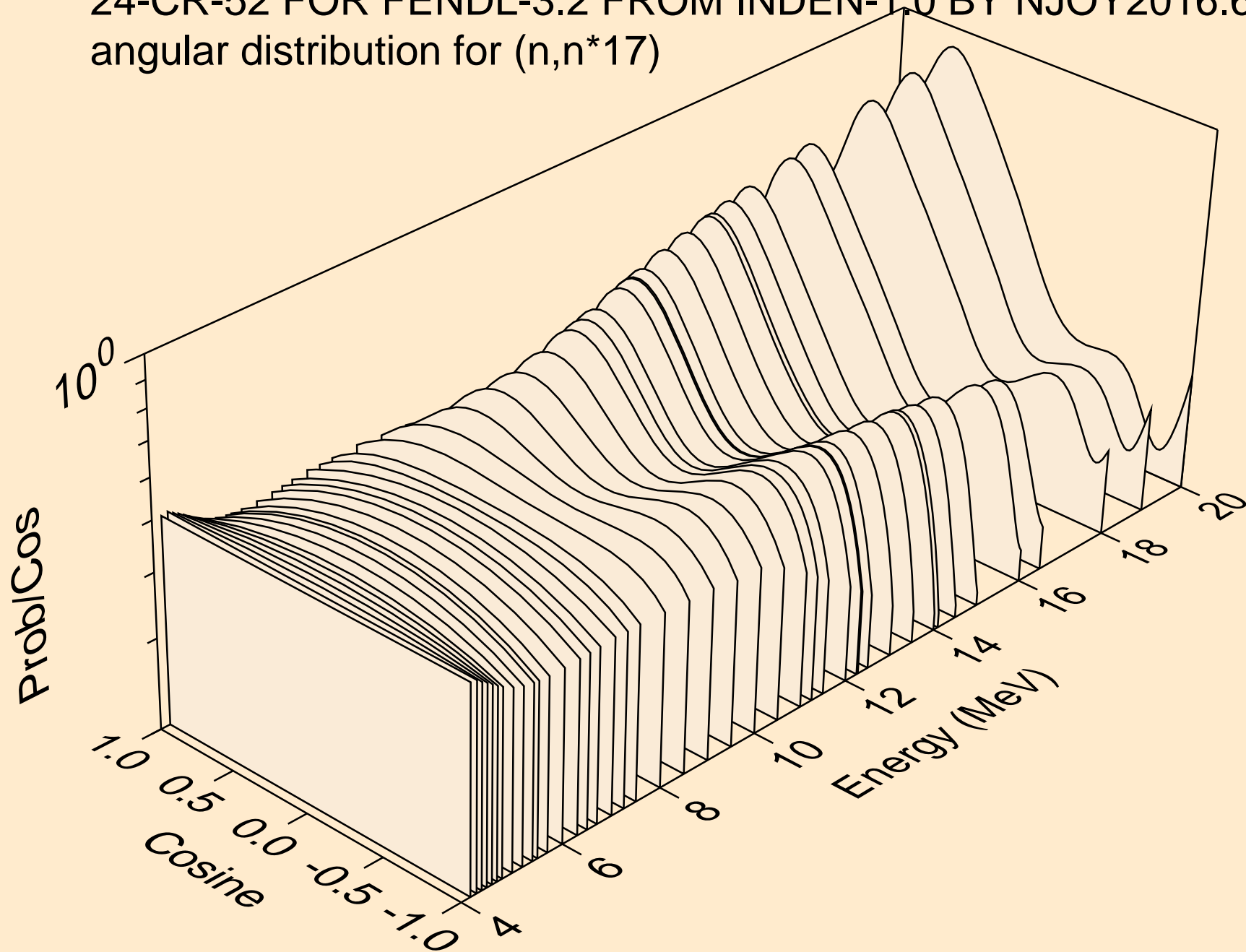
24-CR-52 FOR FENDL-3.2 FROM INDEN-1.0 BY NJOY2016.60+ OI
angular distribution for (n,n*16)



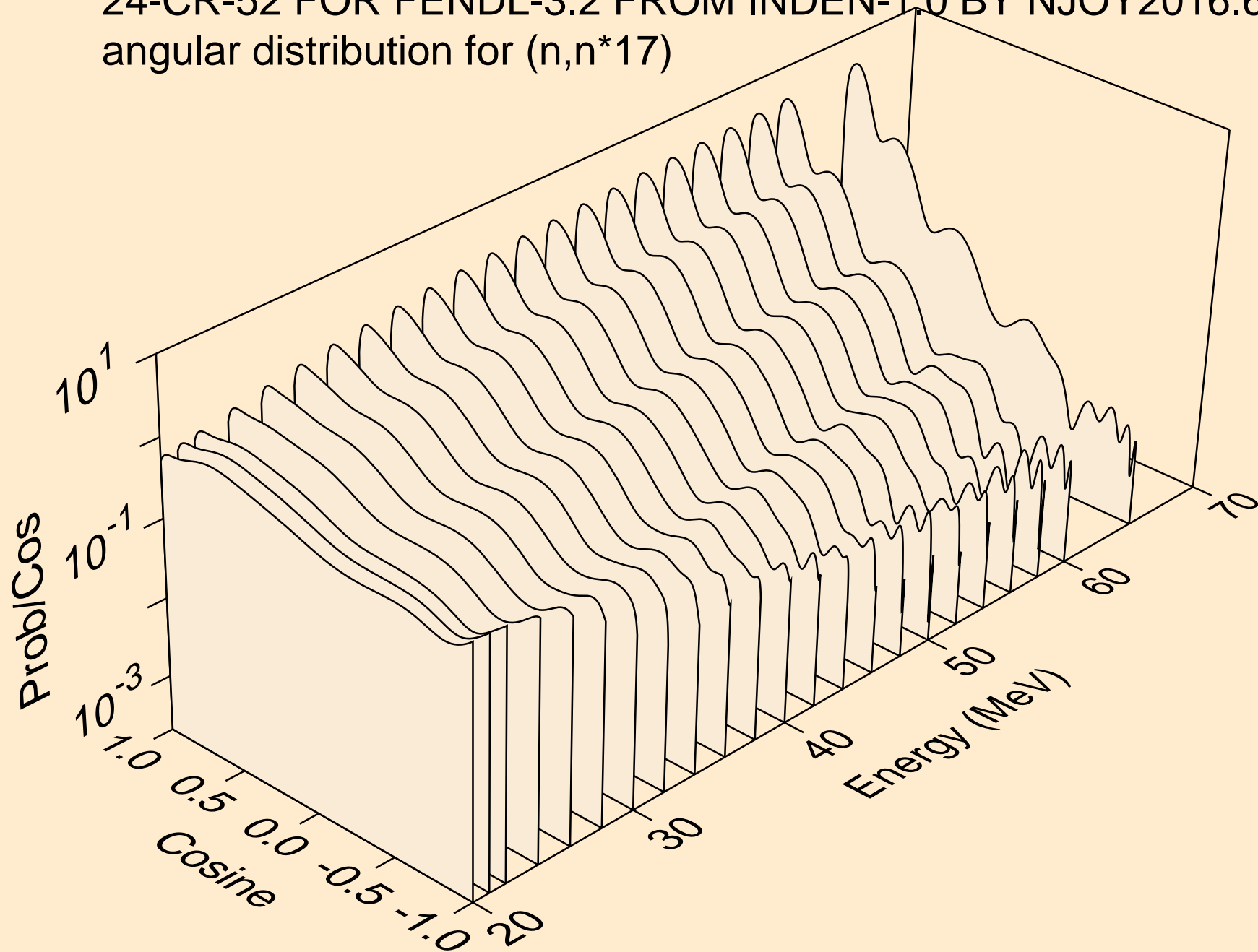
24-CR-52 FOR FENDL-3.2 FROM INDEN-1.0 BY NJOY2016.60+ OI
angular distribution for (n,n*16)



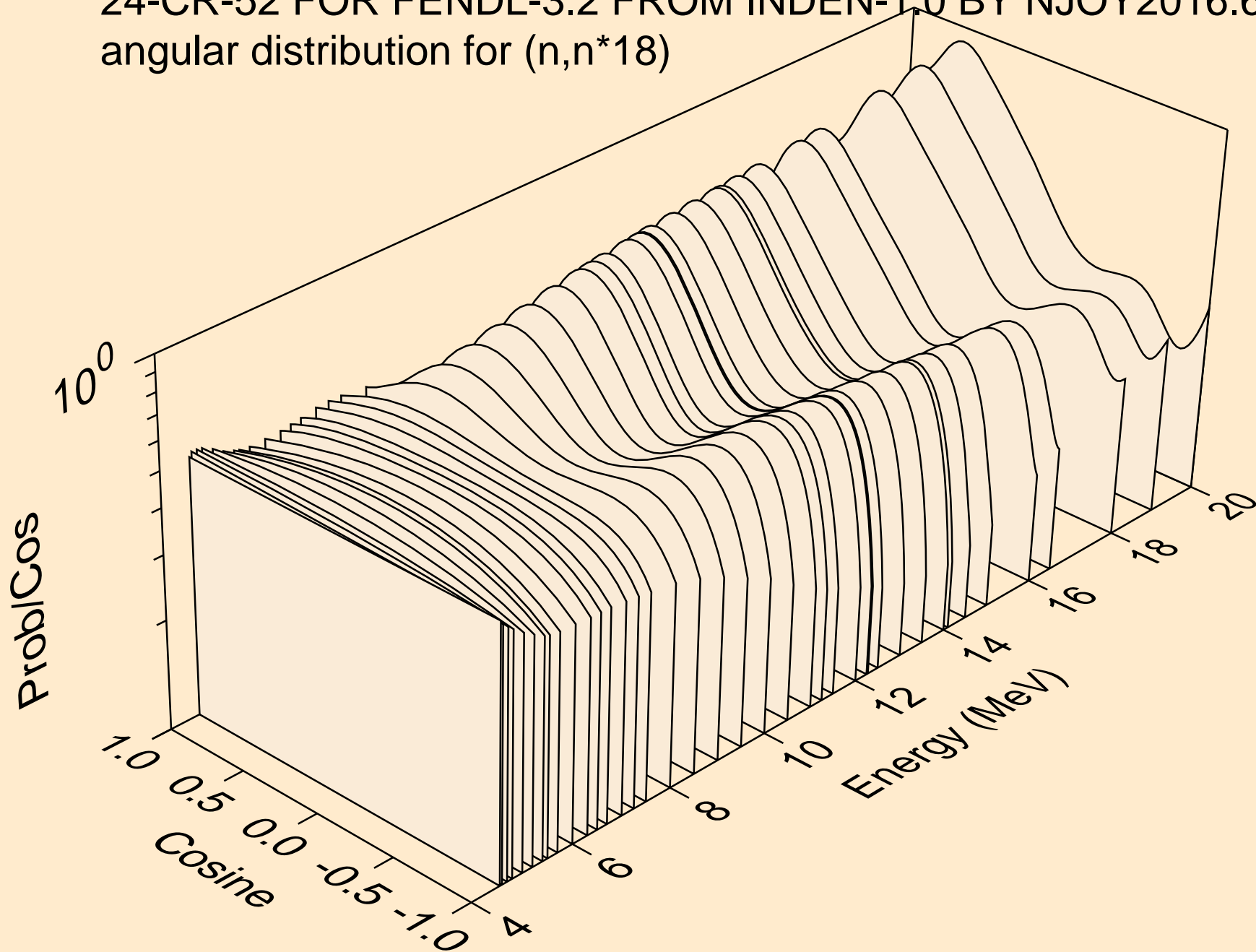
24-CR-52 FOR FENDL-3.2 FROM INDEN-1.0 BY NJOY2016.60+ OI
angular distribution for (n,n*17)



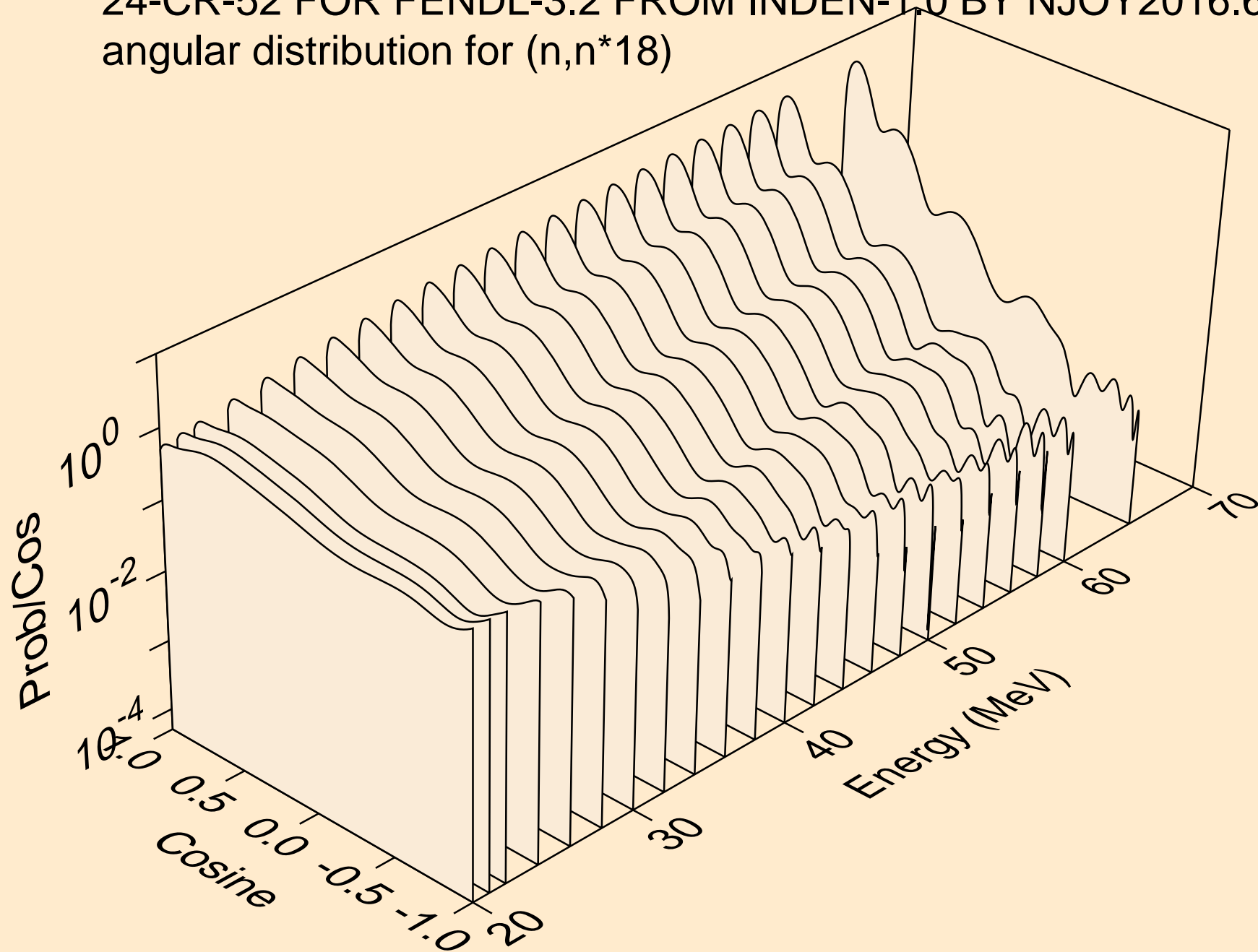
24-CR-52 FOR FENDL-3.2 FROM INDEN-1.0 BY NJOY2016.60+ OI
angular distribution for (n,n*17)



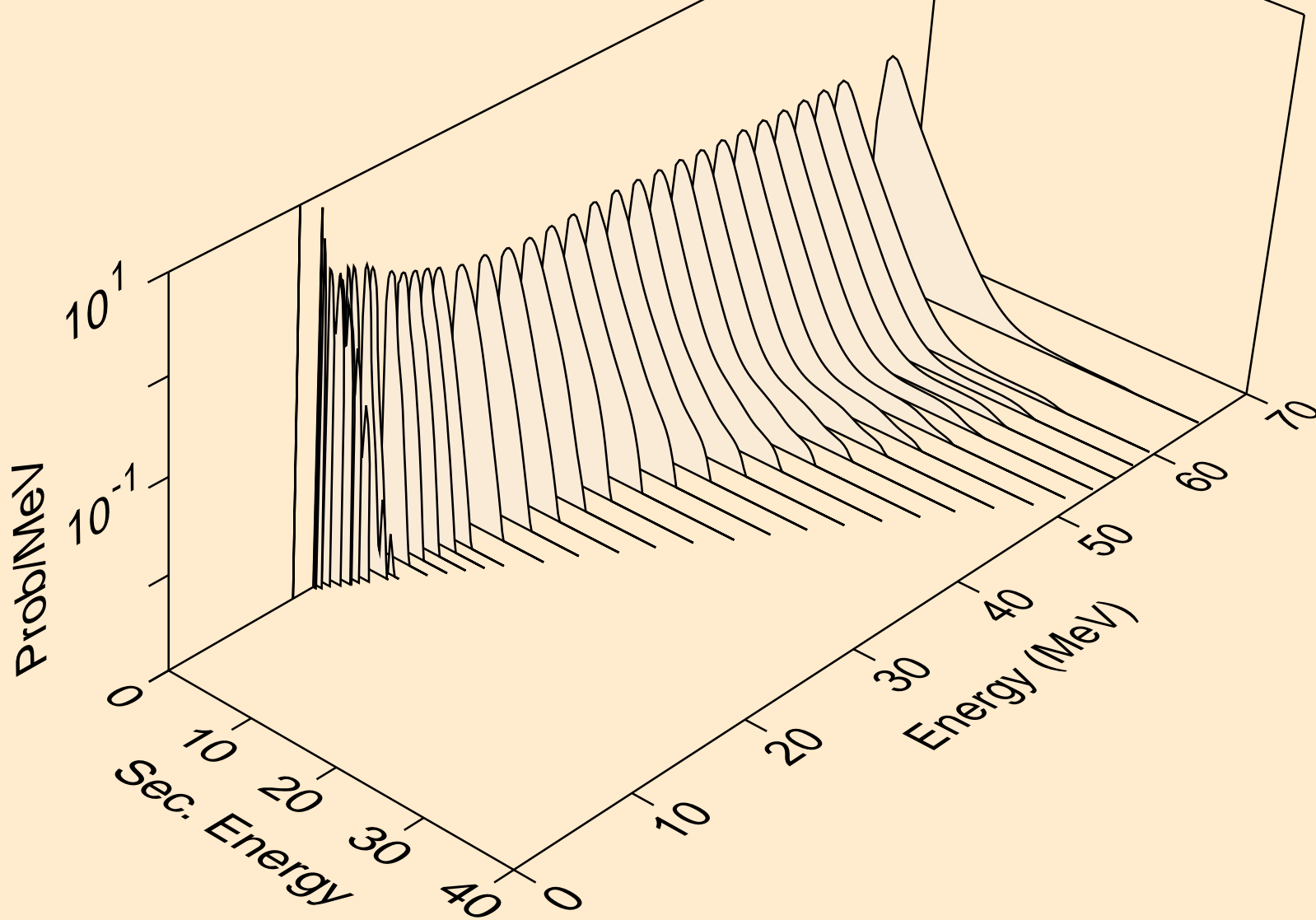
24-CR-52 FOR FENDL-3.2 FROM INDEN-1.0 BY NJOY2016.60+ OI
angular distribution for (n,n*18)



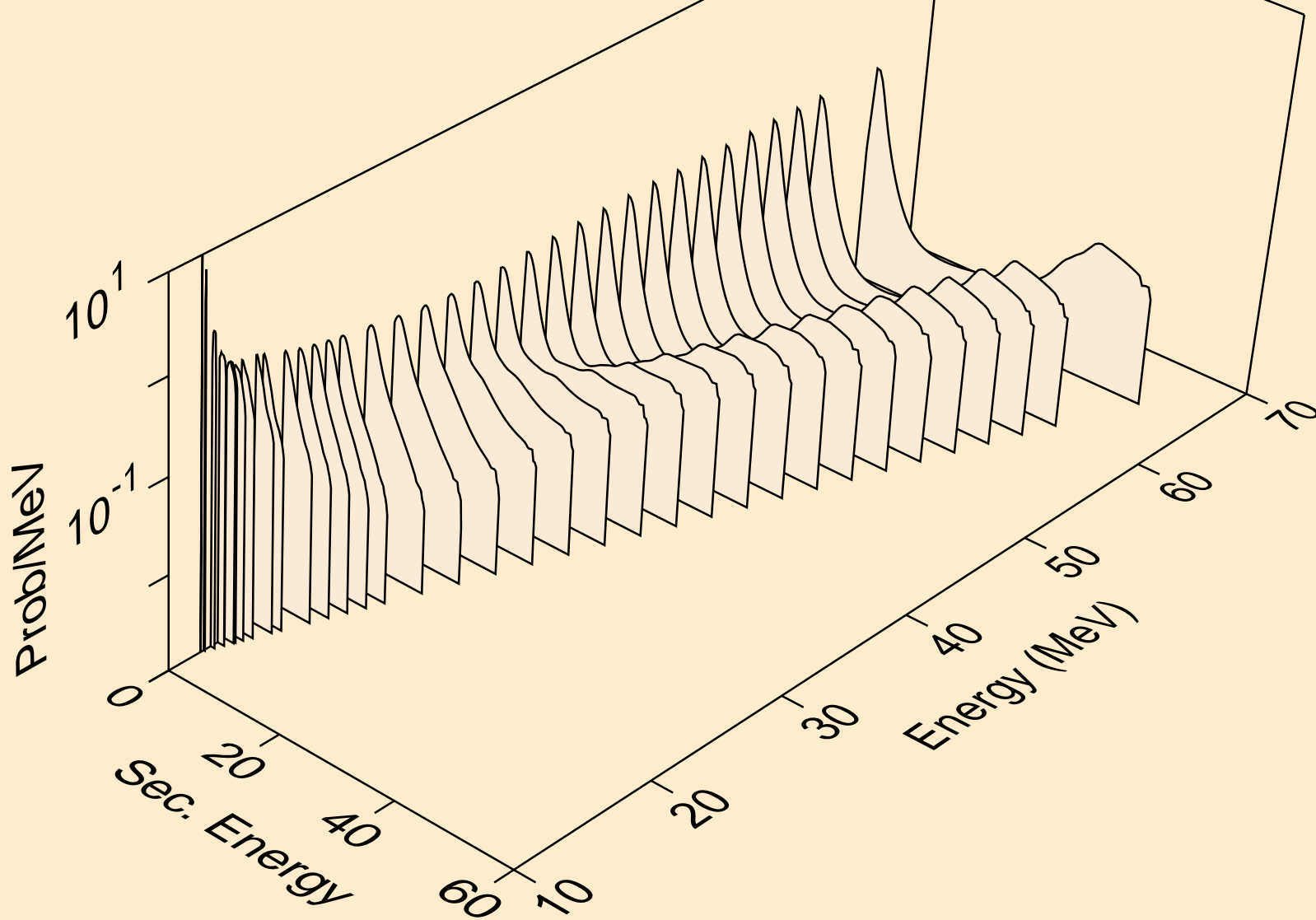
24-CR-52 FOR FENDL-3.2 FROM INDEN-1.0 BY NJOY2016.60+ OI
angular distribution for (n,n*18)



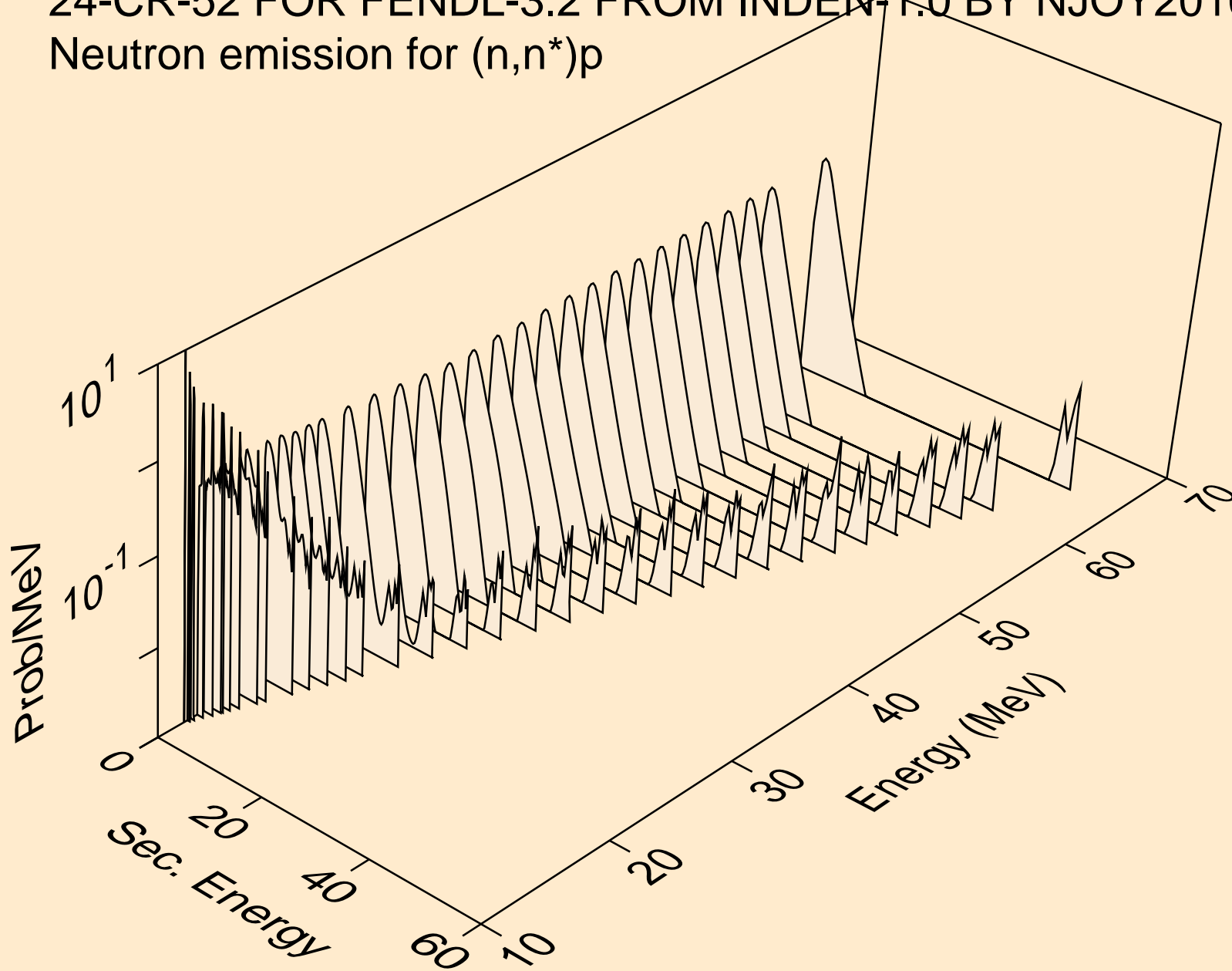
24-CR-52 FOR FENDL-3.2 FROM INDEN-1.0 BY NJOY2016.60+ OI
Neutron emission for (n,x)



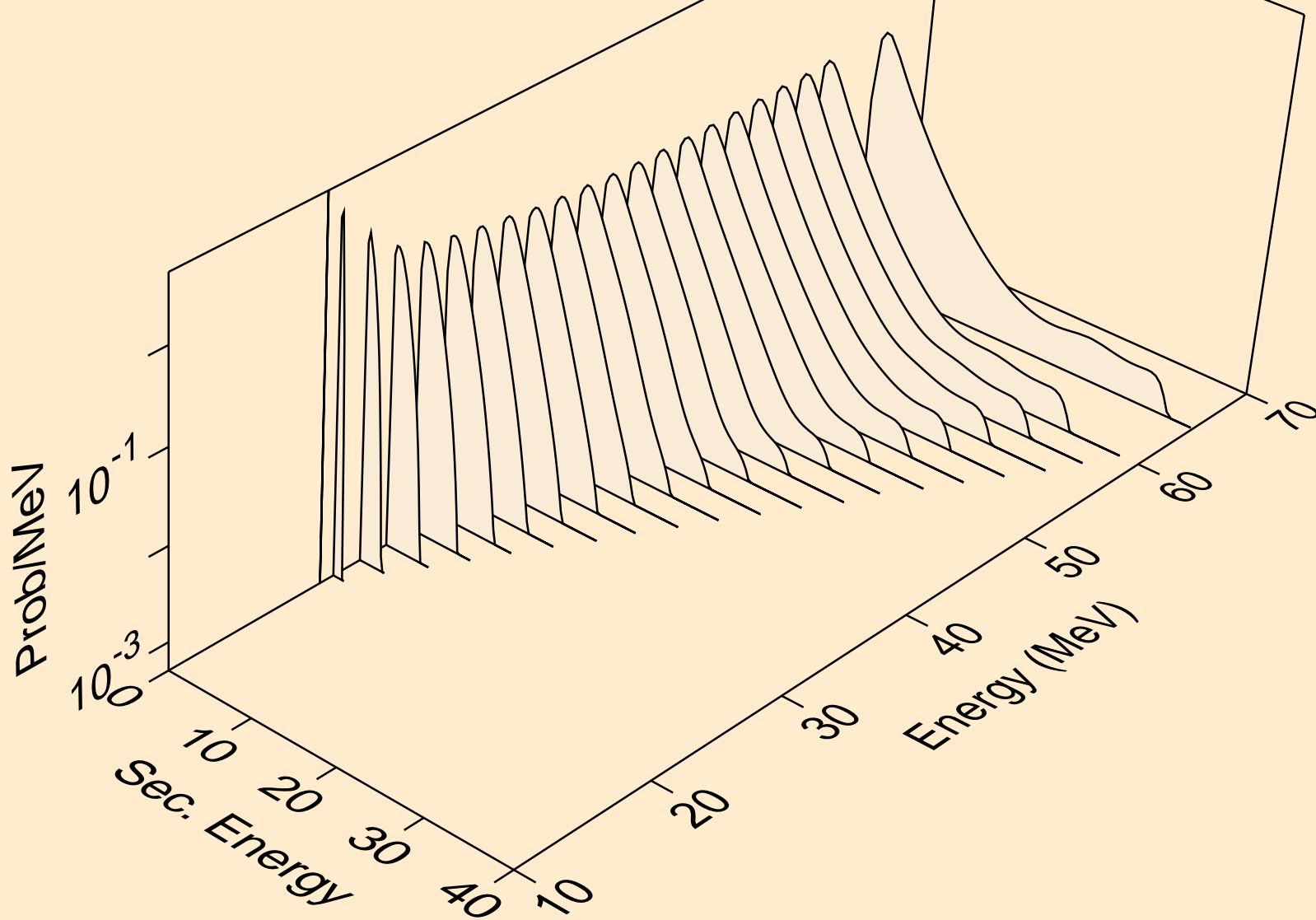
24-CR-52 FOR FENDL-3.2 FROM INDEN-1.0 BY NJOY2016.60+ OI
Neutron emission for (n,2n)



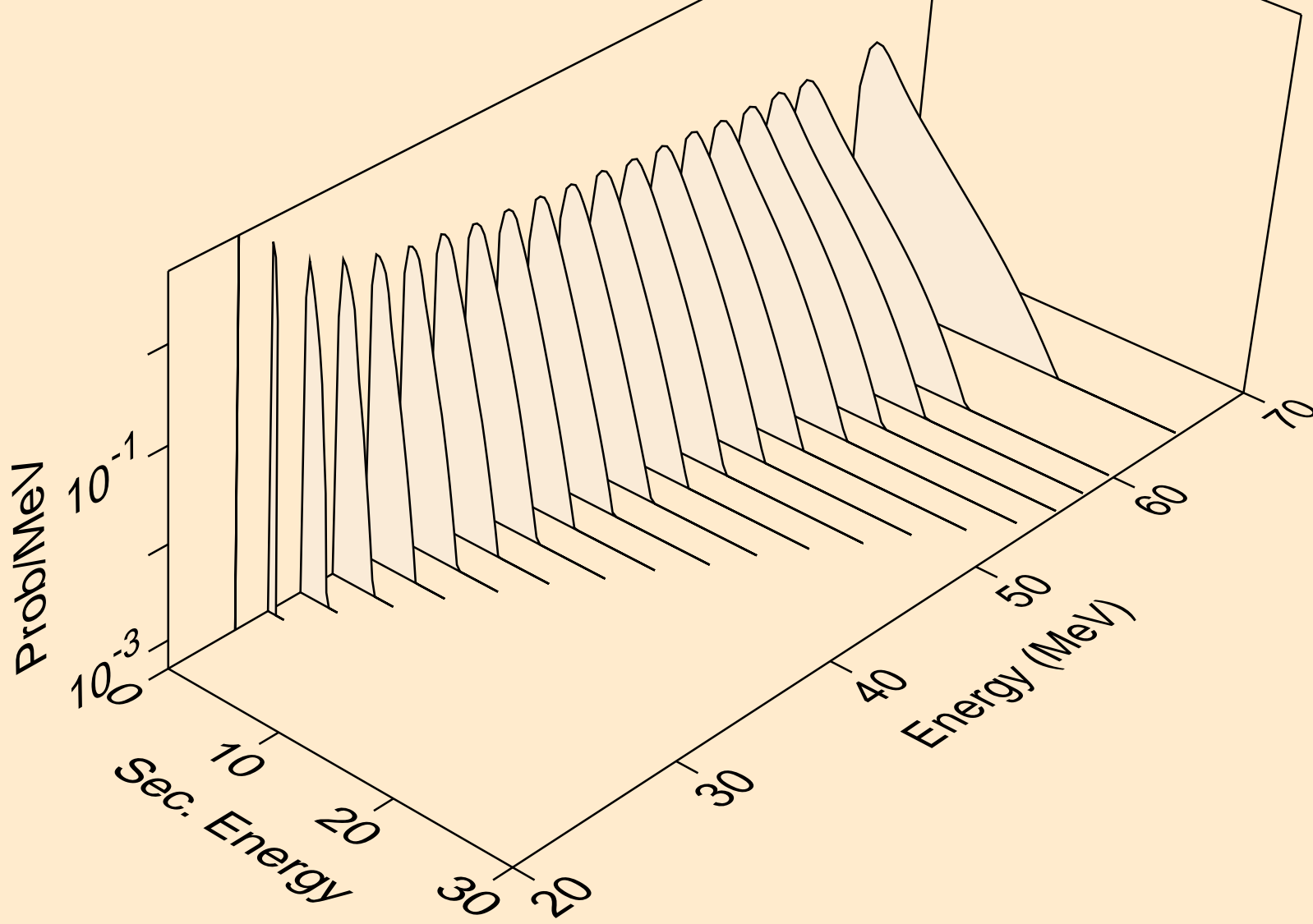
24-CR-52 FOR FENDL-3.2 FROM INDEN-1.0 BY NJOY2016.60+ OI
Neutron emission for (n,n*)p



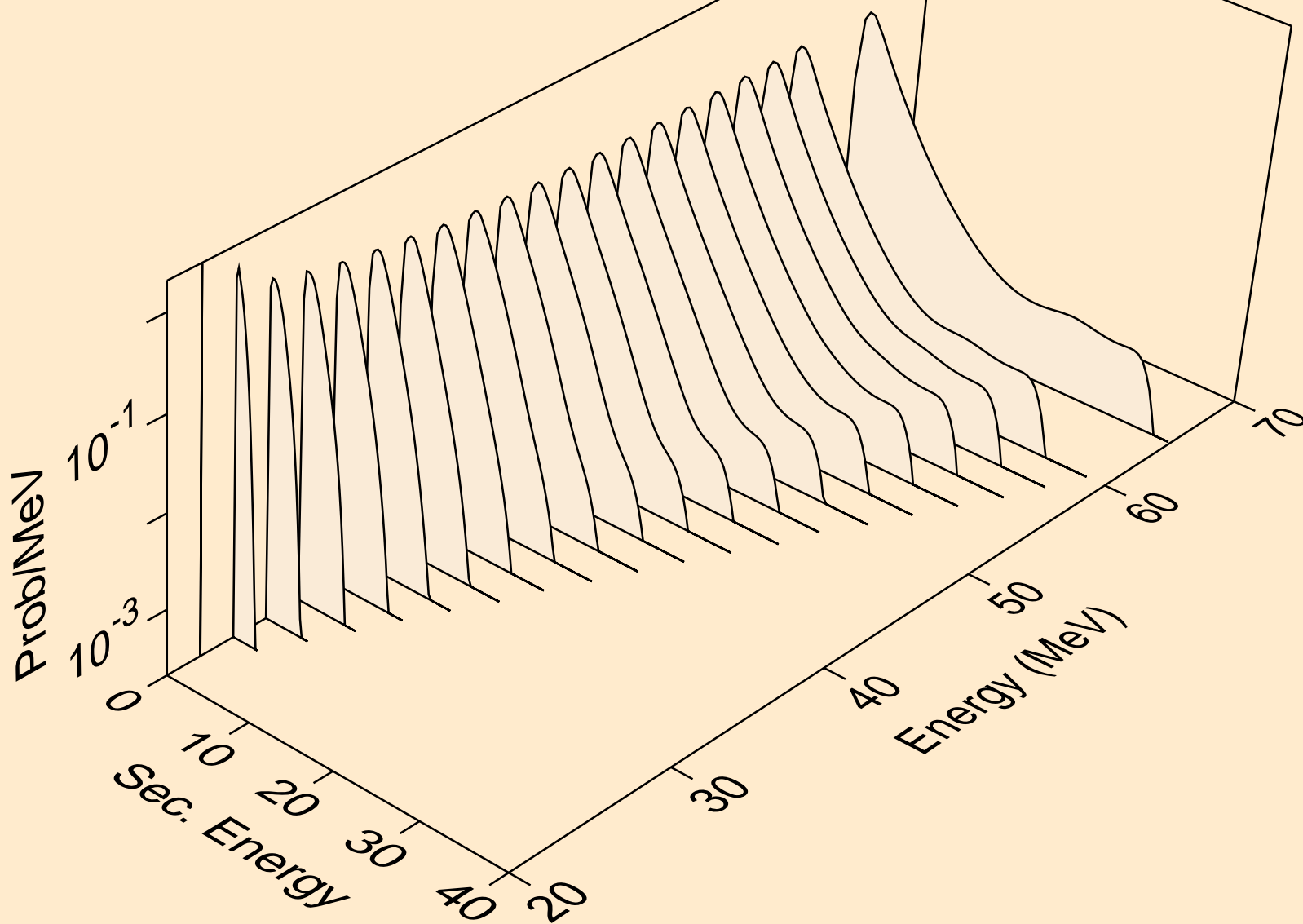
24-CR-52 FOR FENDL-3.2 FROM INDEN-1.0 BY NJOY2016.60+ OI
Neutron emission for (n,n*)d



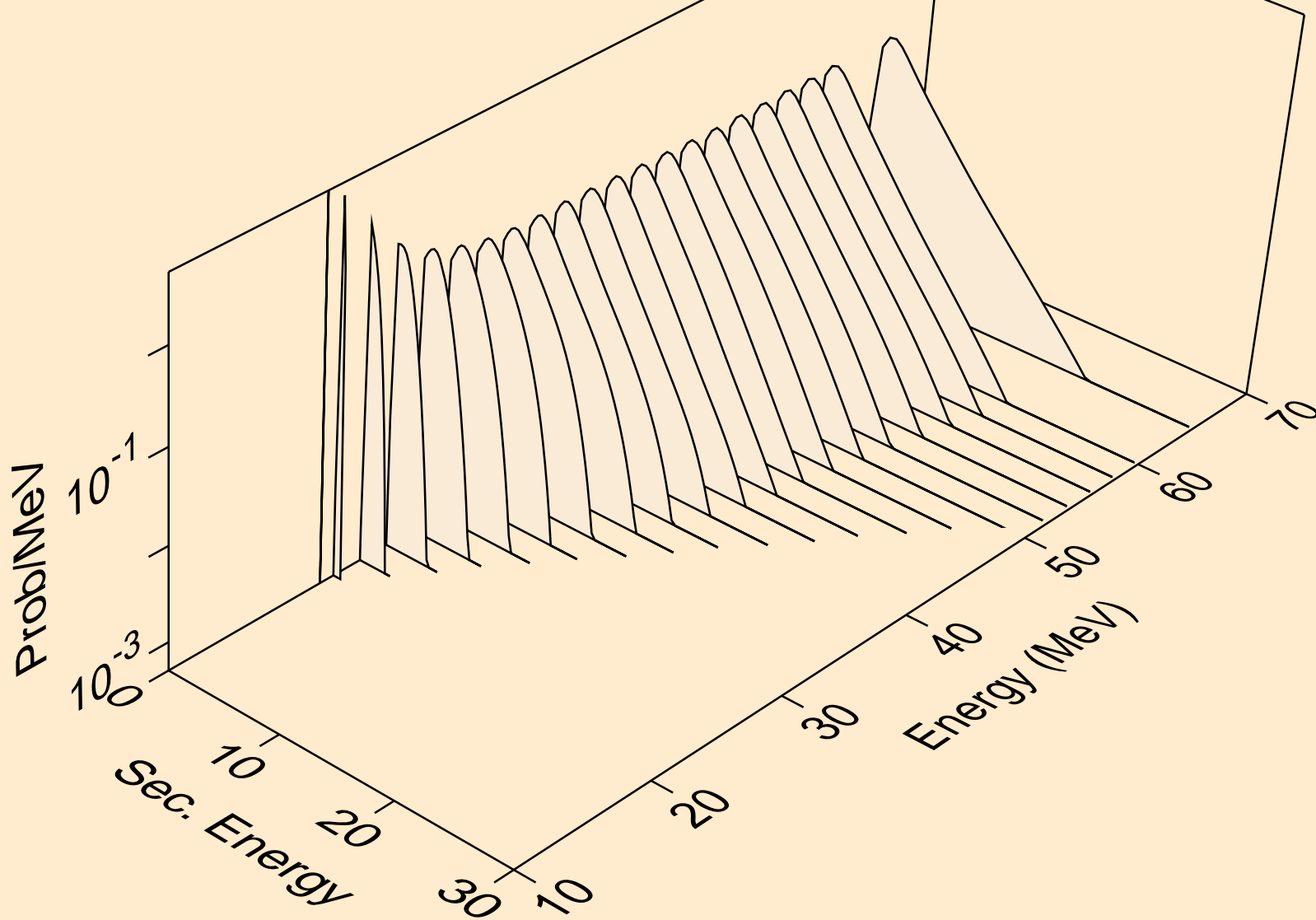
24-CR-52 FOR FENDL-3.2 FROM INDEN-1.0 BY NJOY2016.60+ OI
Neutron emission for (n,n*)he3



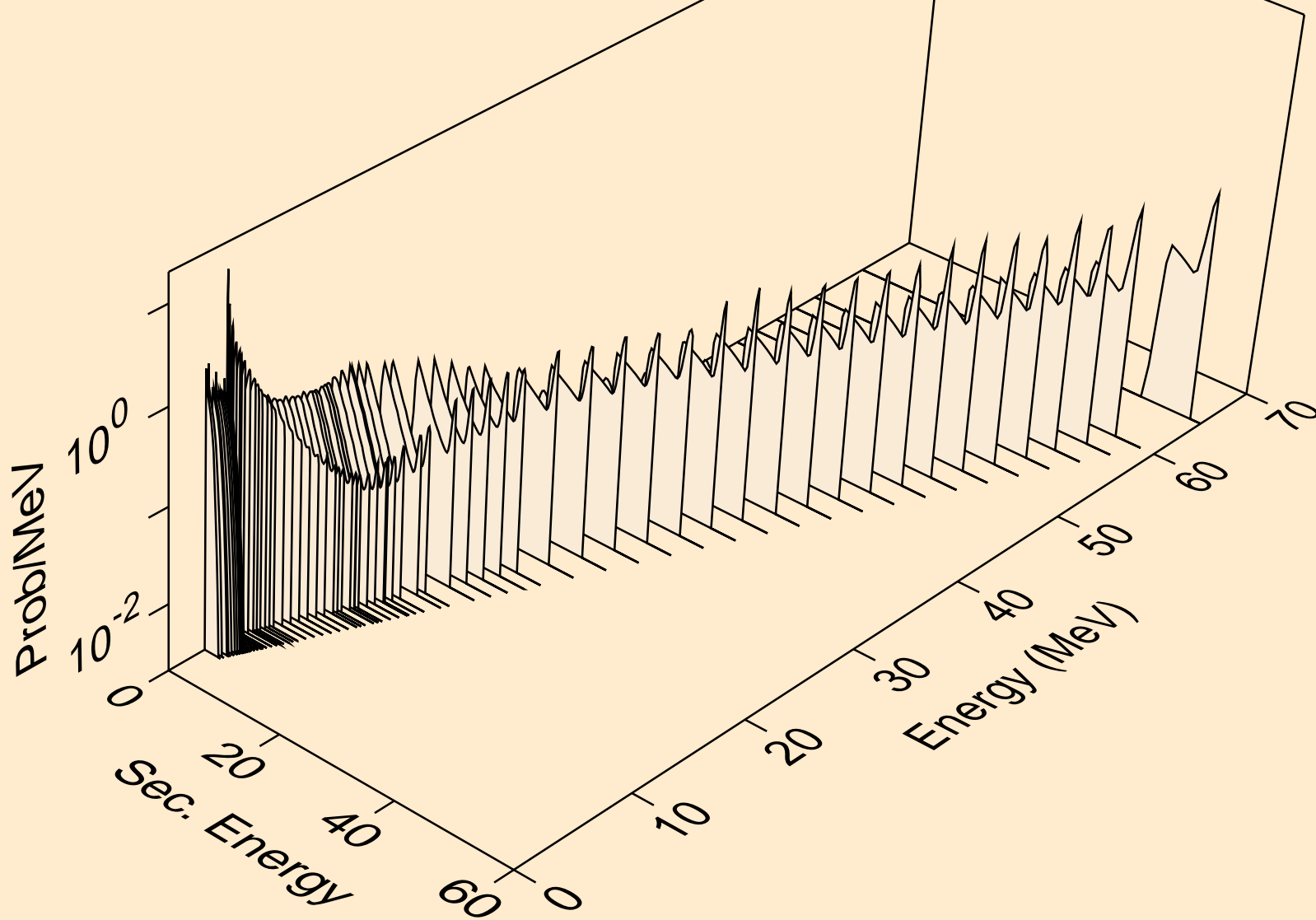
24-CR-52 FOR FENDL-3.2 FROM INDEN-1.0 BY NJOY2016.60+ OI
Neutron emission for (n,2np)



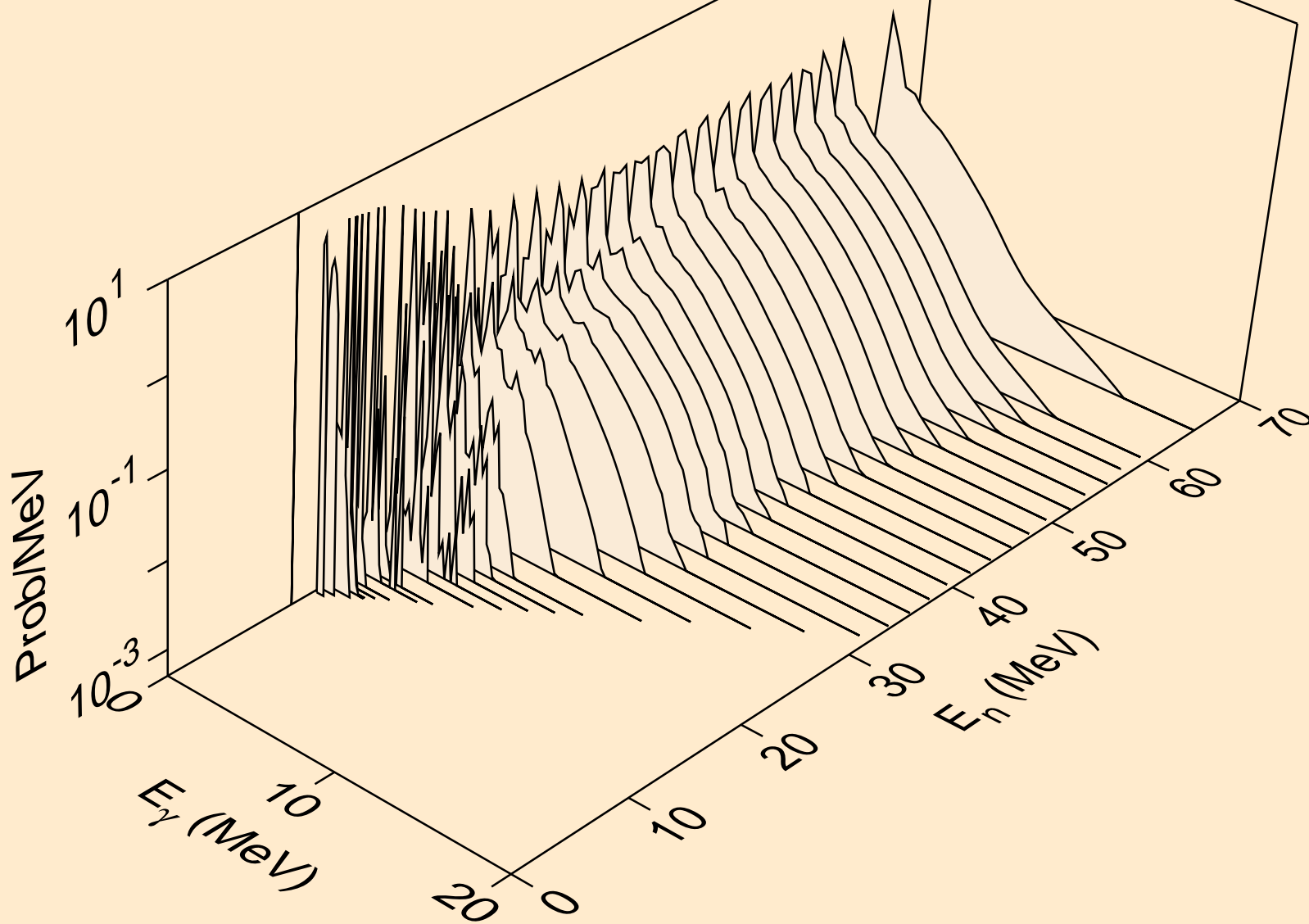
24-CR-52 FOR FENDL-3.2 FROM INDEN-1.0 BY NJOY2016.60+ OI
Neutron emission for (n,2np)



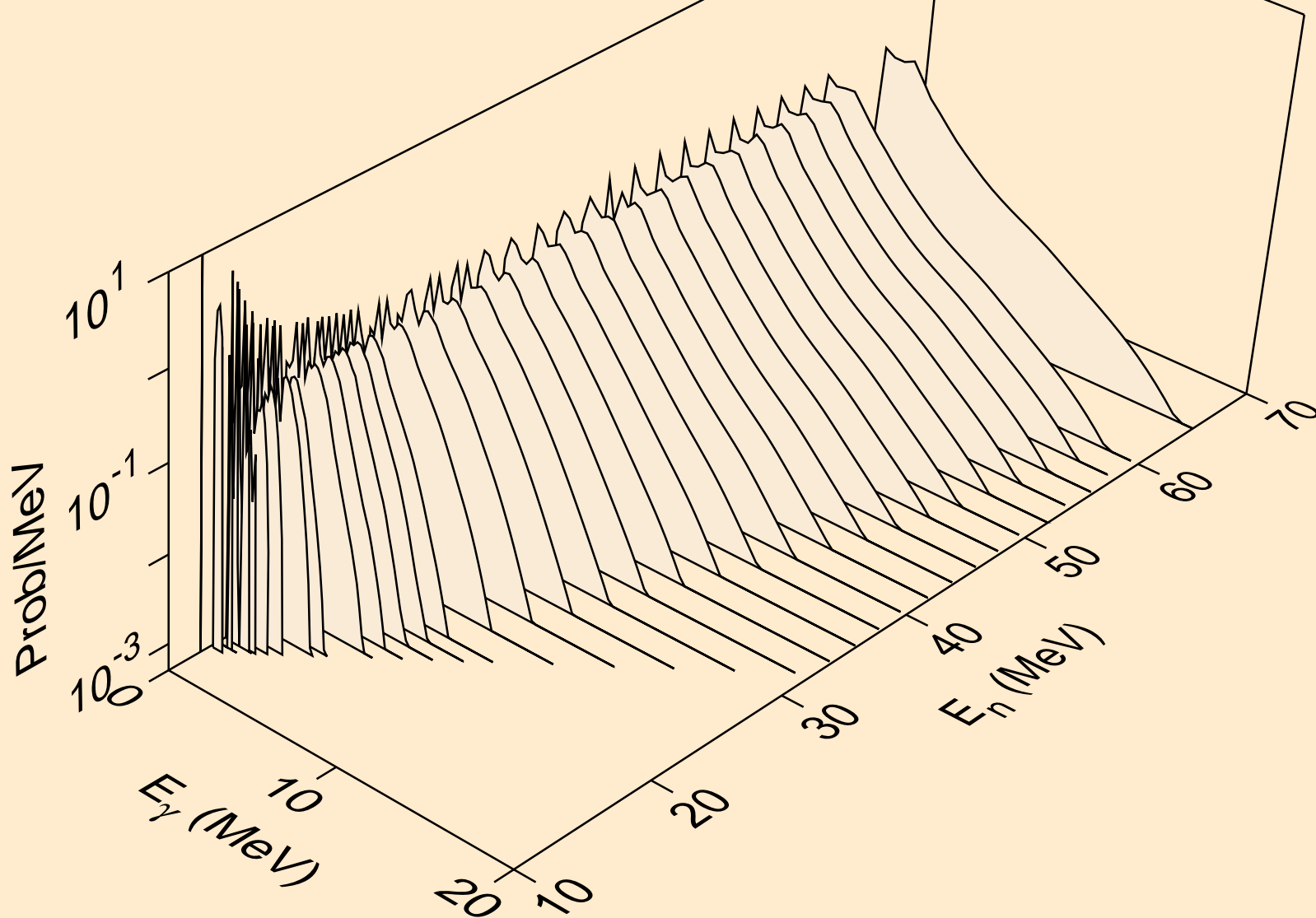
24-CR-52 FOR FENDL-3.2 FROM INDEN-1.0 BY NJOY2016.60+ OI
Neutron emission for (n,n*c)



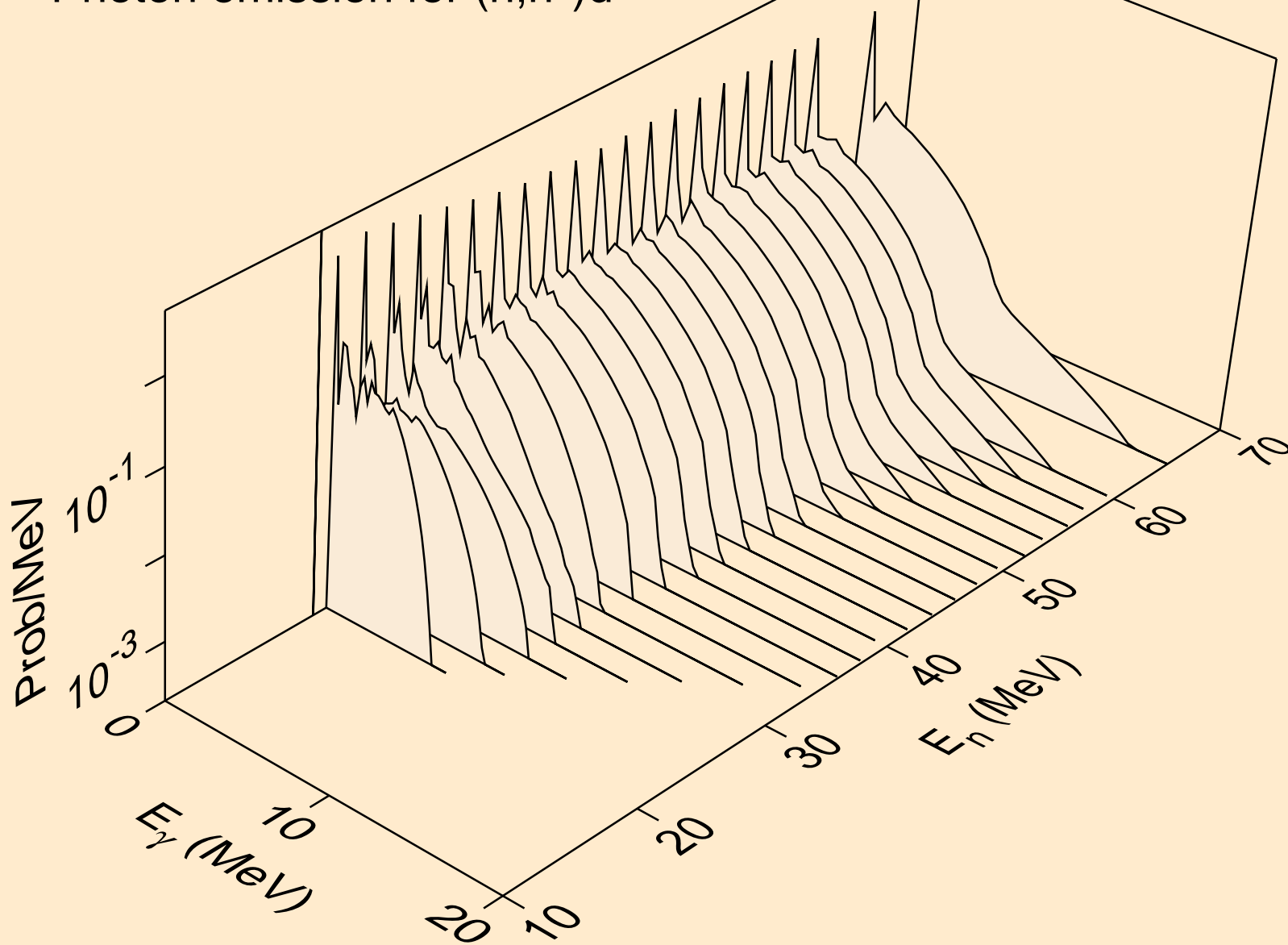
24-CR-52 FOR FENDL-3.2 FROM INDEN-1.0 BY NJOY2016.60+ OI
Photon emission for (n,x)



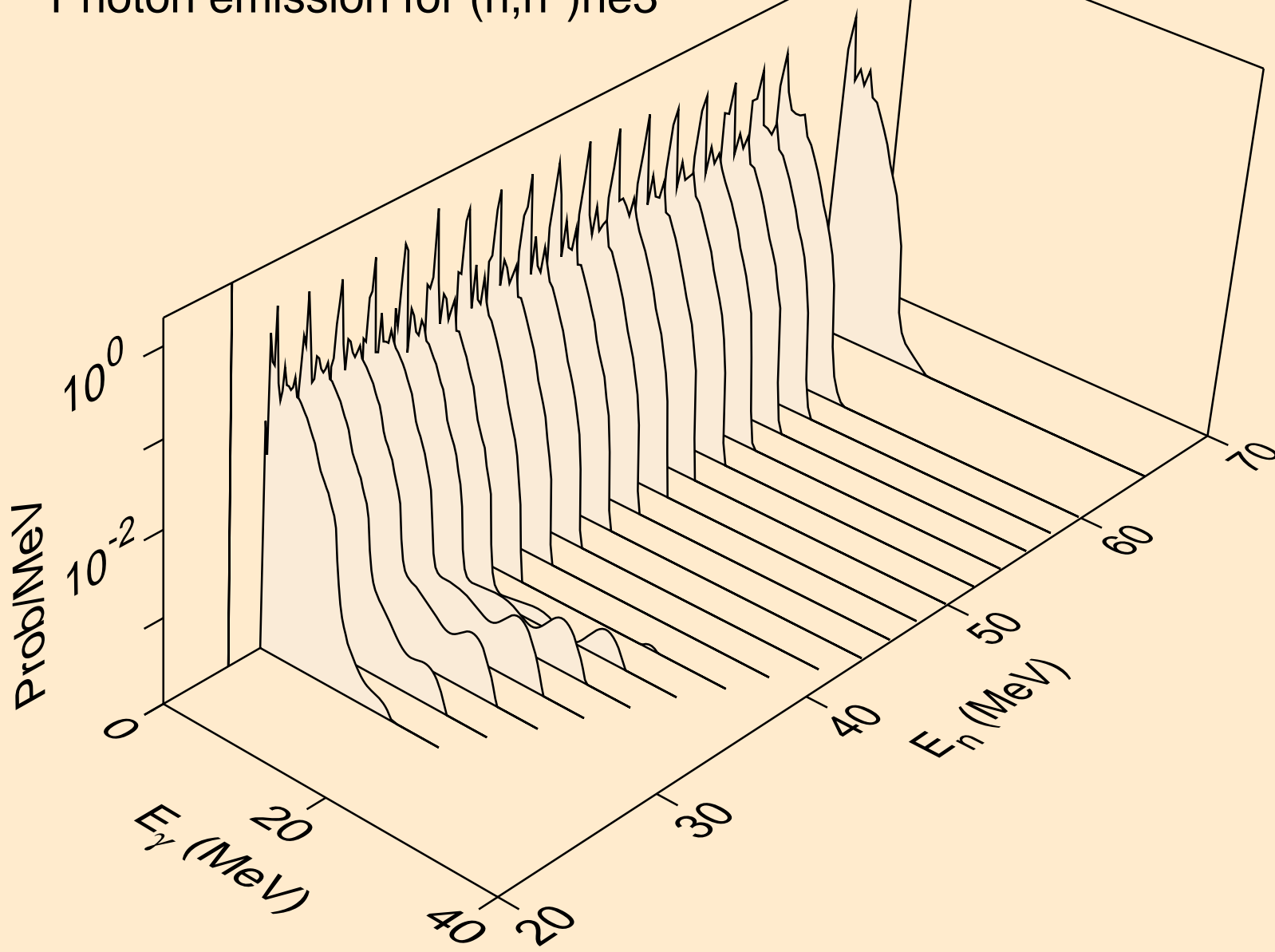
24-CR-52 FOR FENDL-3.2 FROM INDEN-1.0 BY NJOY2016.60+ OI
Photon emission for (n,2n)



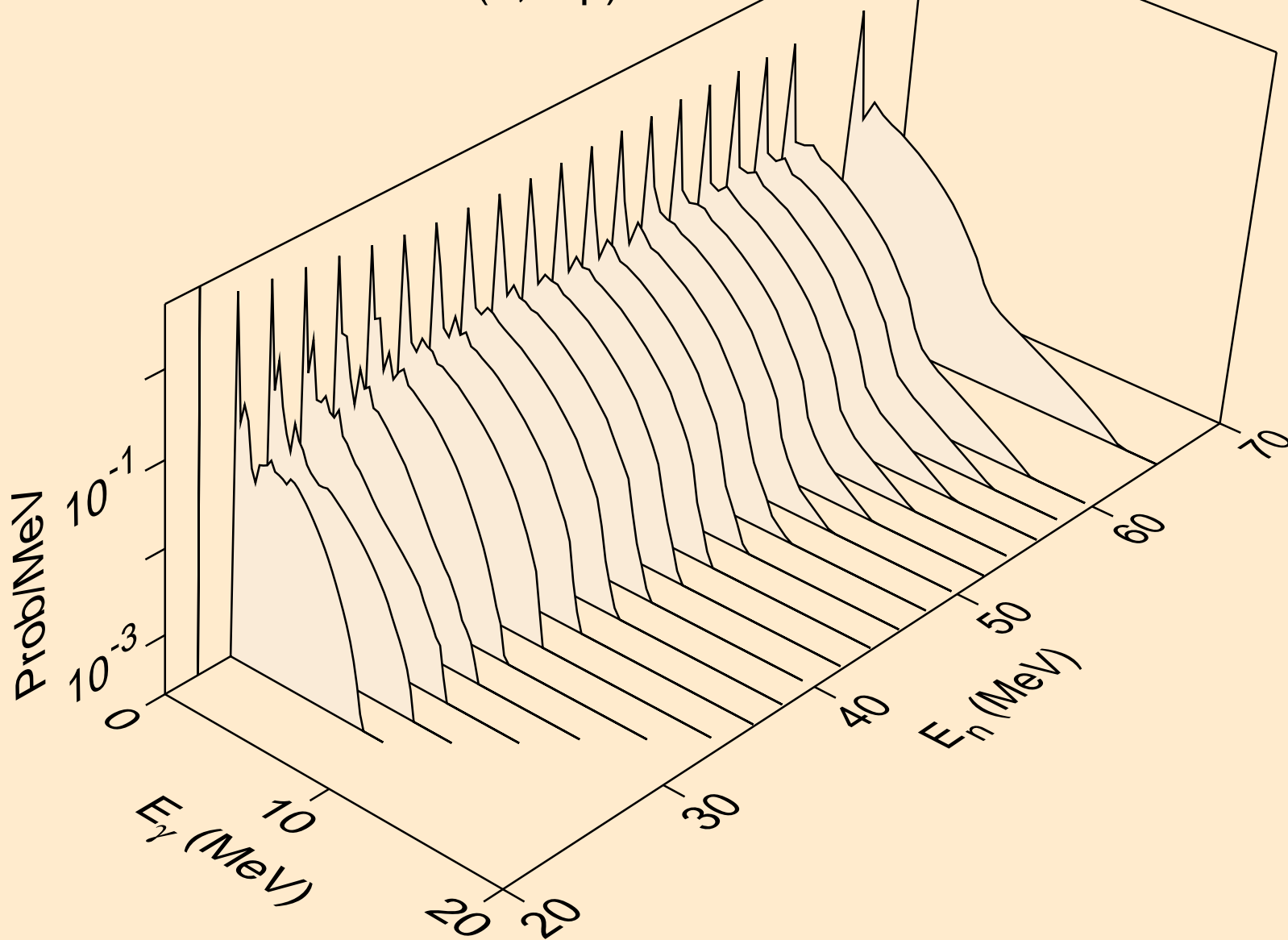
24-CR-52 FOR FENDL-3.2 FROM INDEN-1.0 BY NJOY2016.60+ OI
Photon emission for (n,n*)d



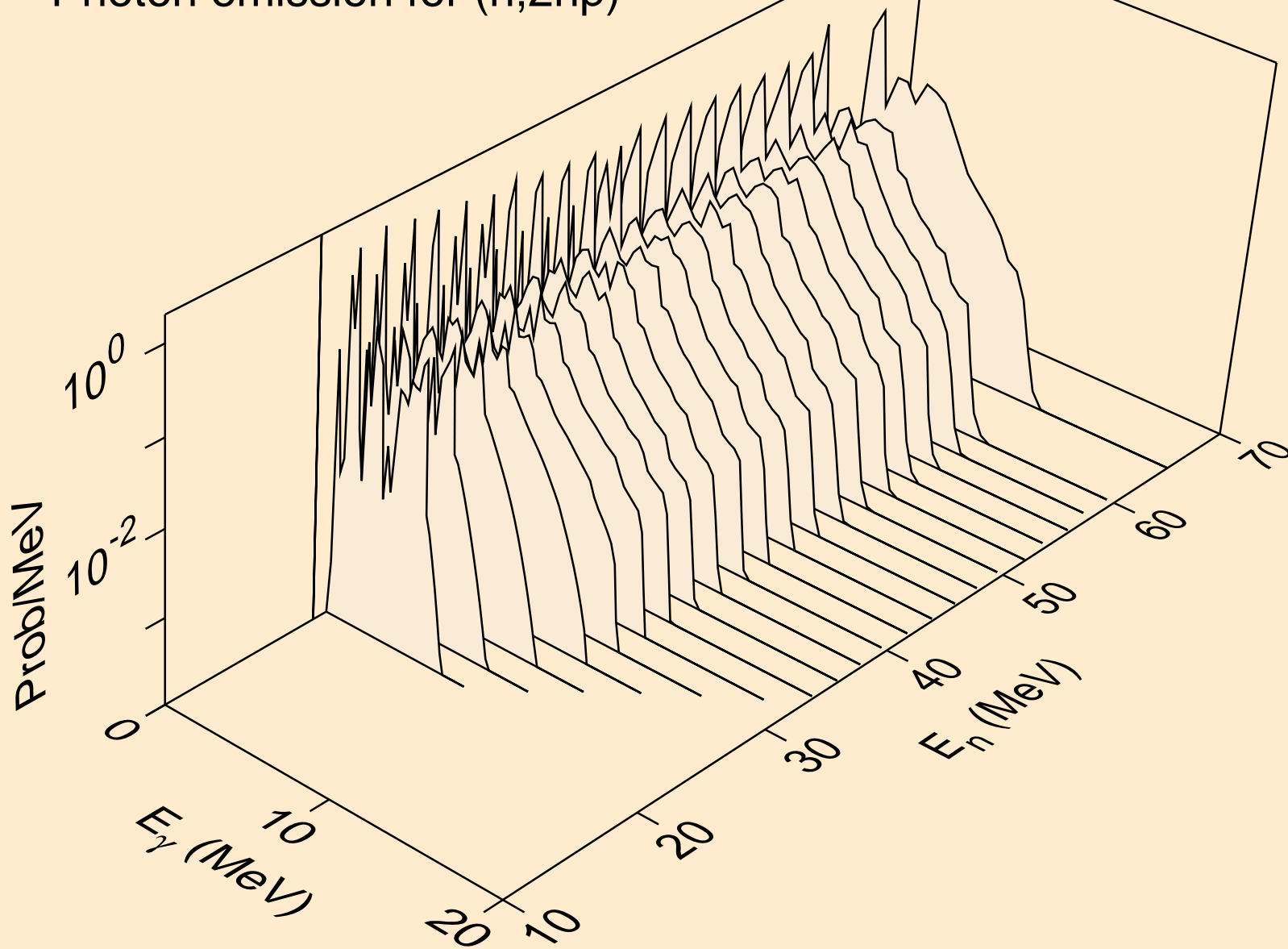
24-CR-52 FOR FENDL-3.2 FROM INDEN-1.0 BY NJOY2016.60+ OI
Photon emission for (n,n*)he3



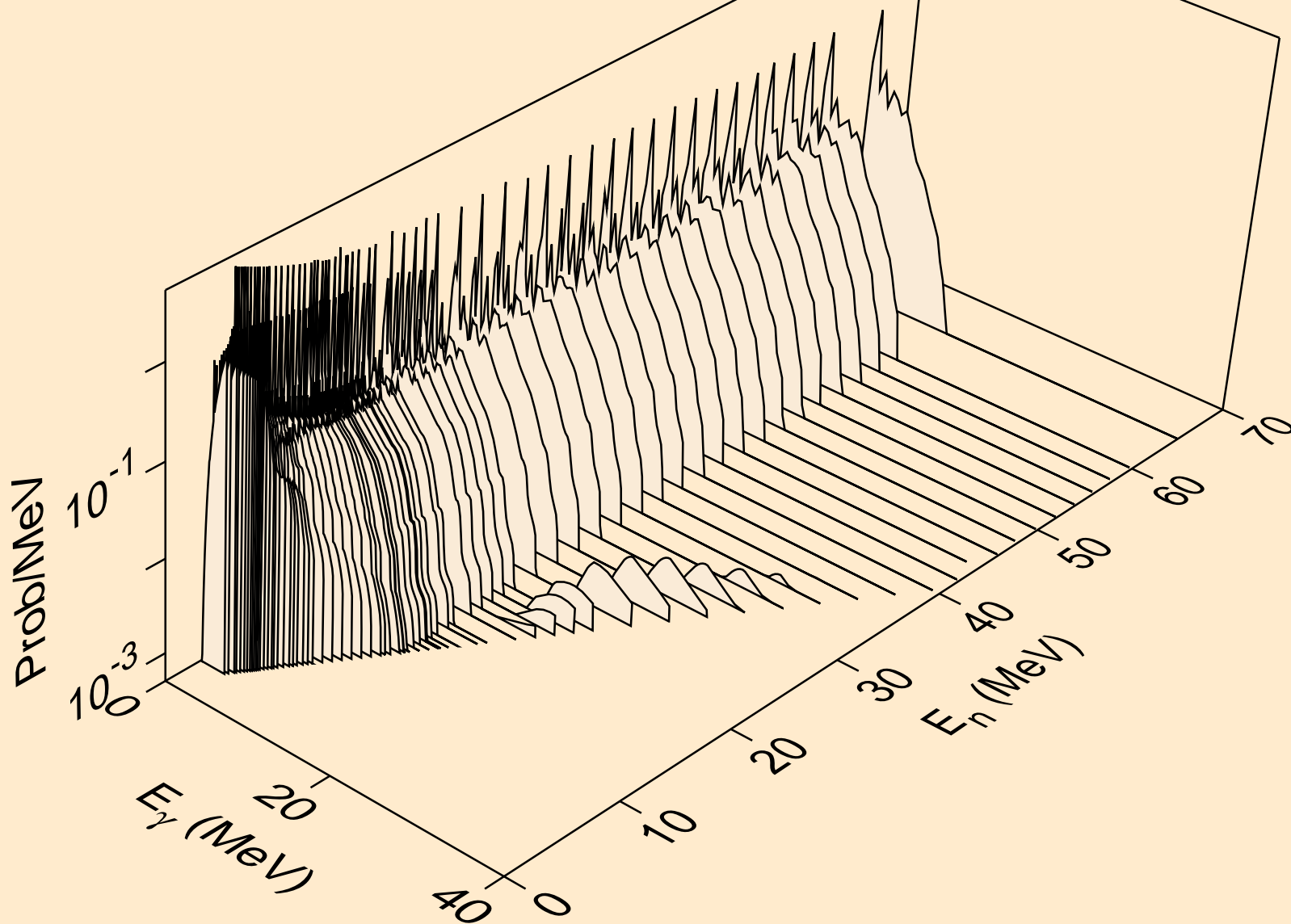
24-CR-52 FOR FENDL-3.2 FROM INDEN-1.0 BY NJOY2016.60+ OI
Photon emission for (n,2np)



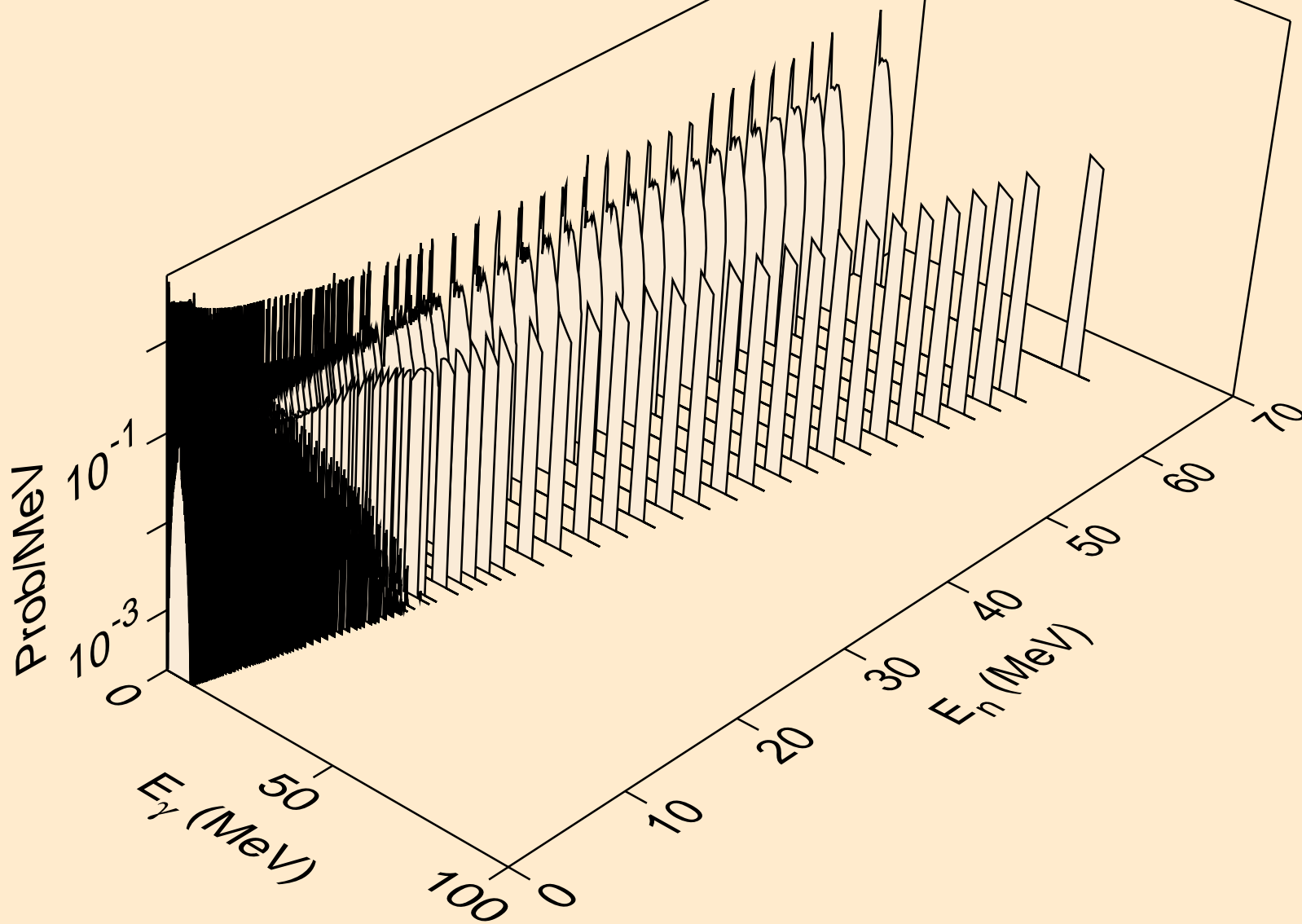
24-CR-52 FOR FENDL-3.2 FROM INDEN-1.0 BY NJOY2016.60+ OI
Photon emission for (n,2np)



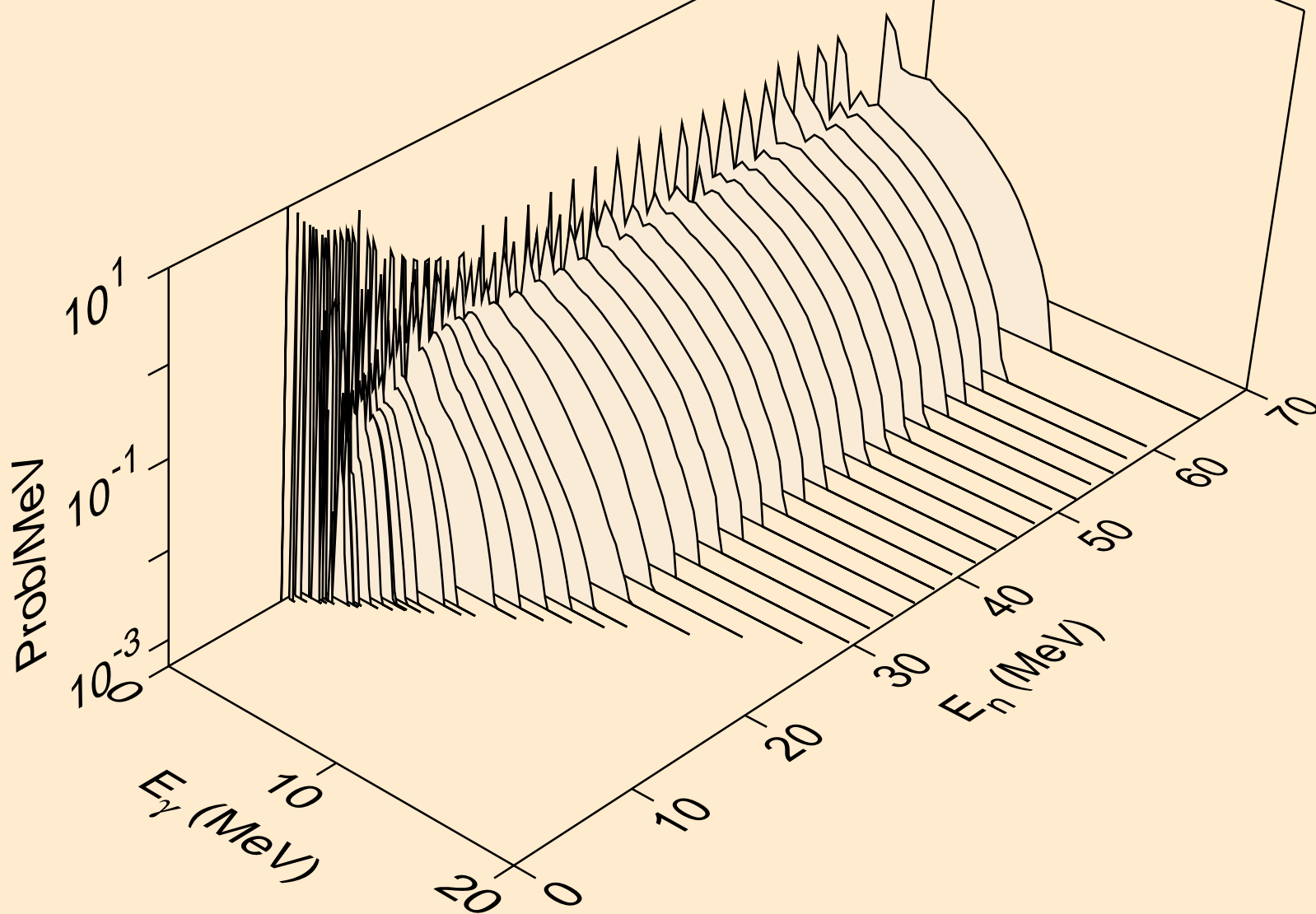
24-CR-52 FOR FENDL-3.2 FROM INDEN-1.0 BY NJOY2016.60+ OI
Photon emission for (n,n*c)



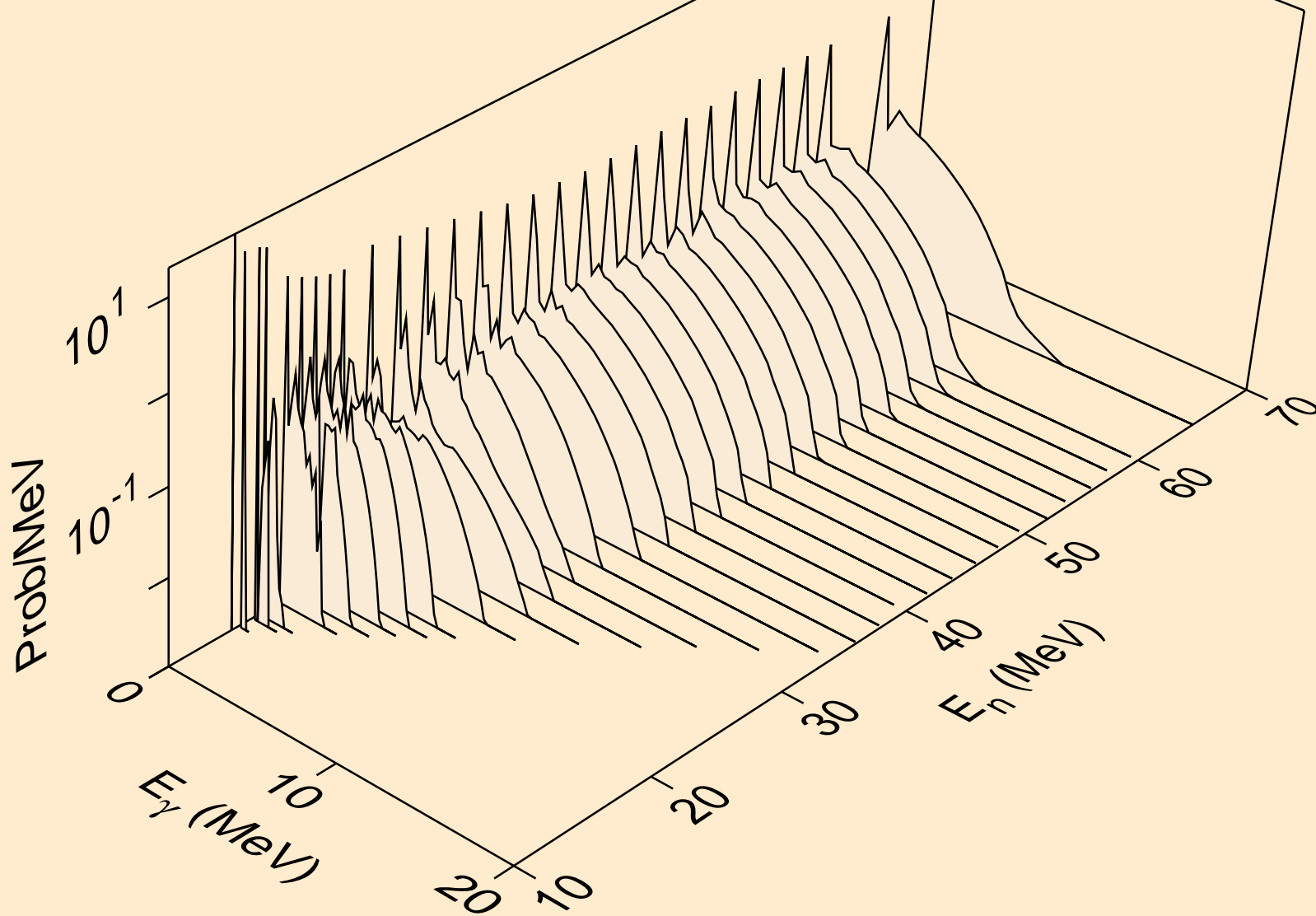
24-CR-52 FOR FENDL-3.2 FROM INDEN-1.0 BY NJOY2016.60+ OI
Photon emission for (n,gma)



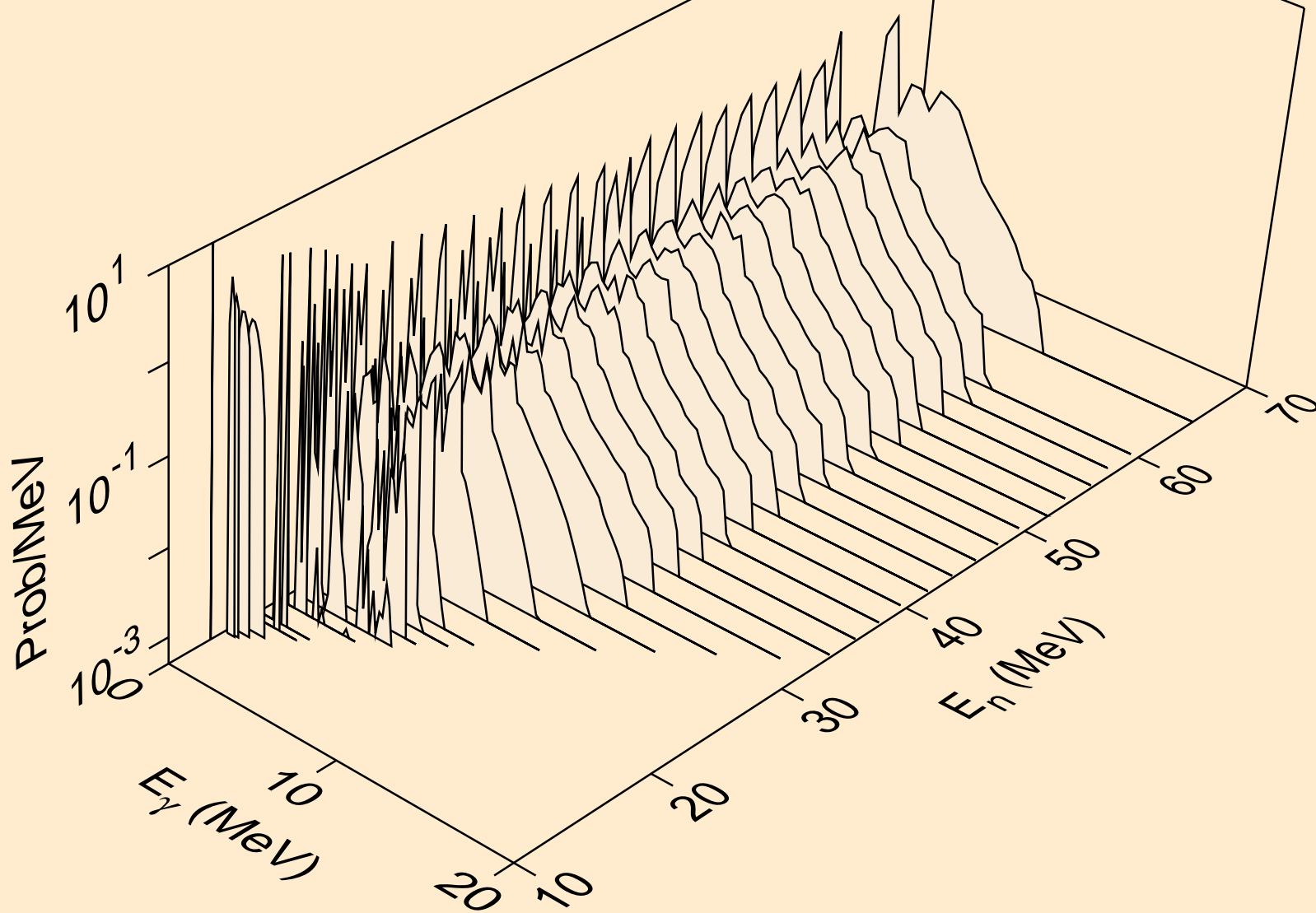
24-CR-52 FOR FENDL-3.2 FROM INDEN-1.0 BY NJOY2016.60+ OI
Photon emission for (n,d)



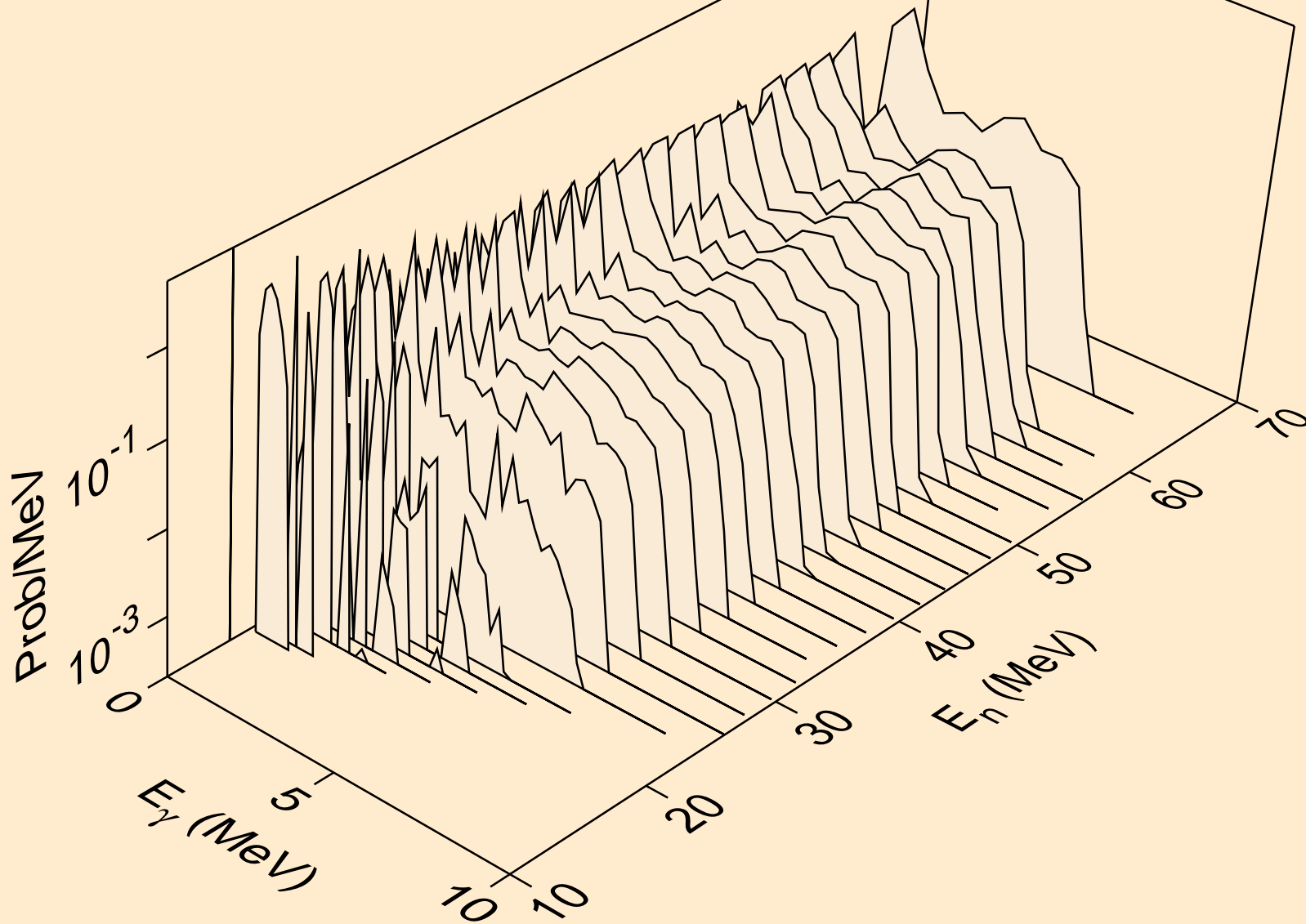
24-CR-52 FOR FENDL-3.2 FROM INDEN-1.0 BY NJOY2016.60+ OI
Photon emission for (n,t)



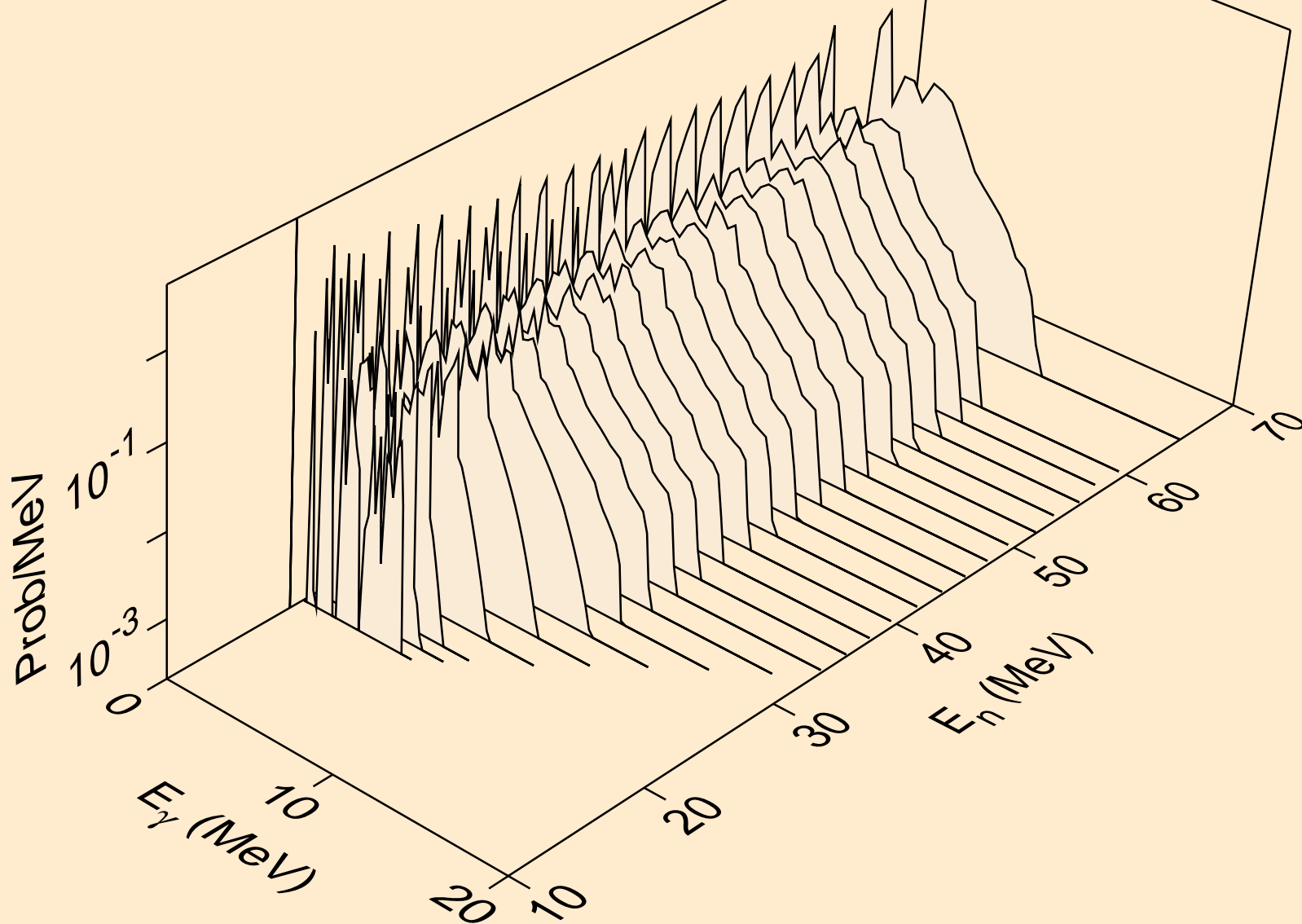
24-CR-52 FOR FENDL-3.2 FROM INDEN-1.0 BY NJOY2016.60+ OI
Photon emission for (n,he3)



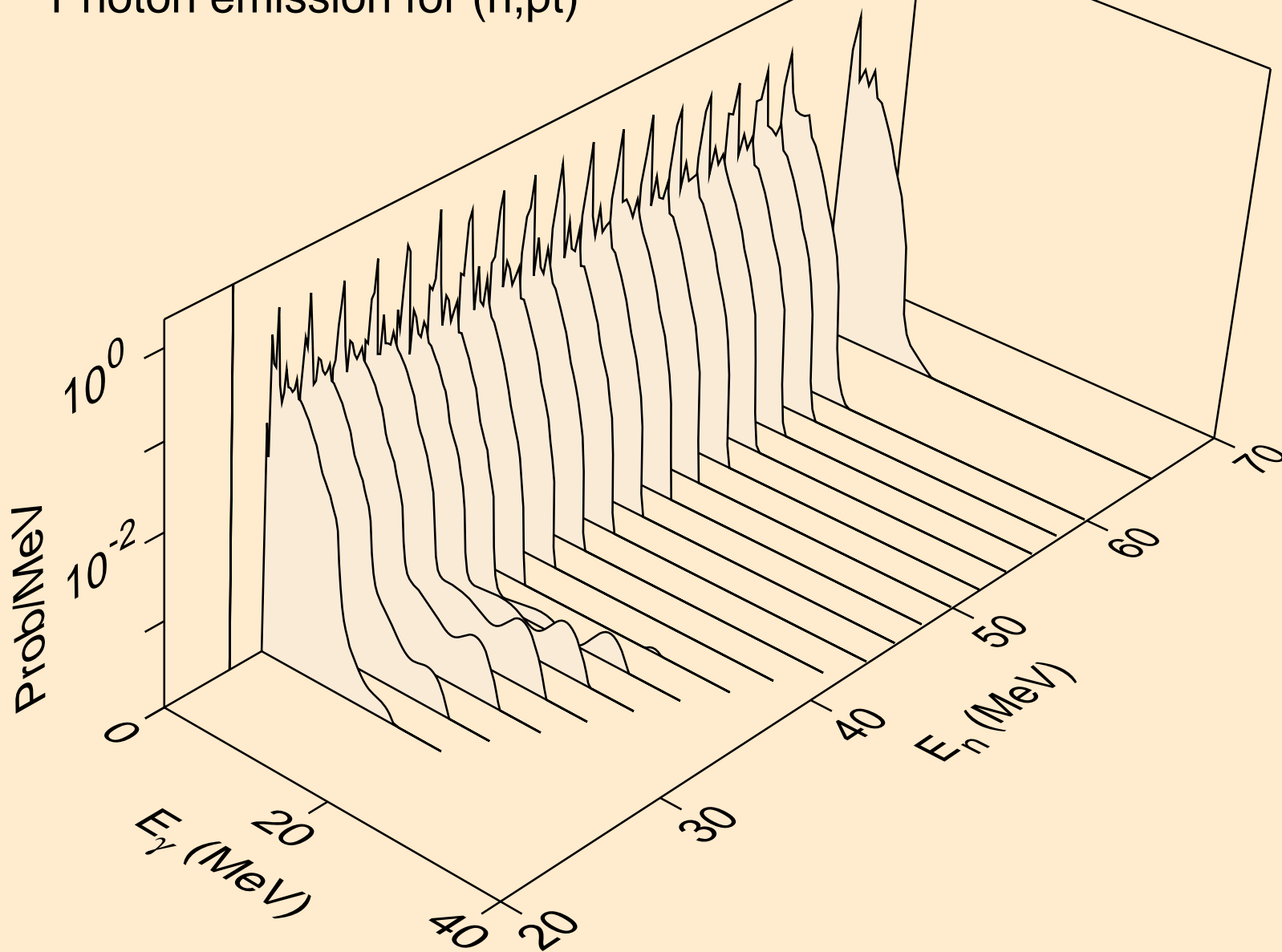
24-CR-52 FOR FENDL-3.2 FROM INDEN-1.0 BY NJOY2016.60+ OI
Photon emission for (n,2p)



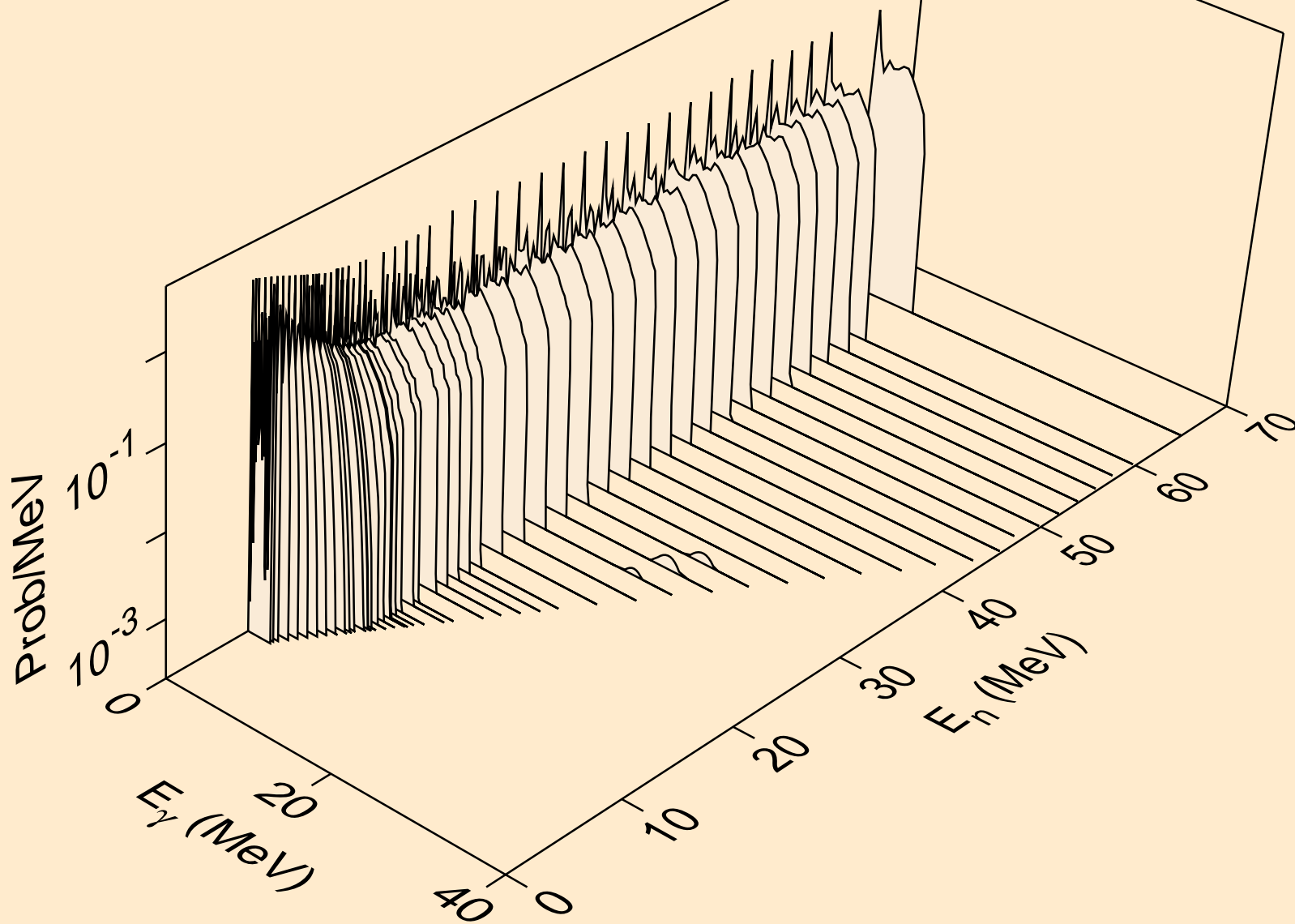
24-CR-52 FOR FENDL-3.2 FROM INDEN-1.0 BY NJOY2016.60+ OI
Photon emission for (n,pd)



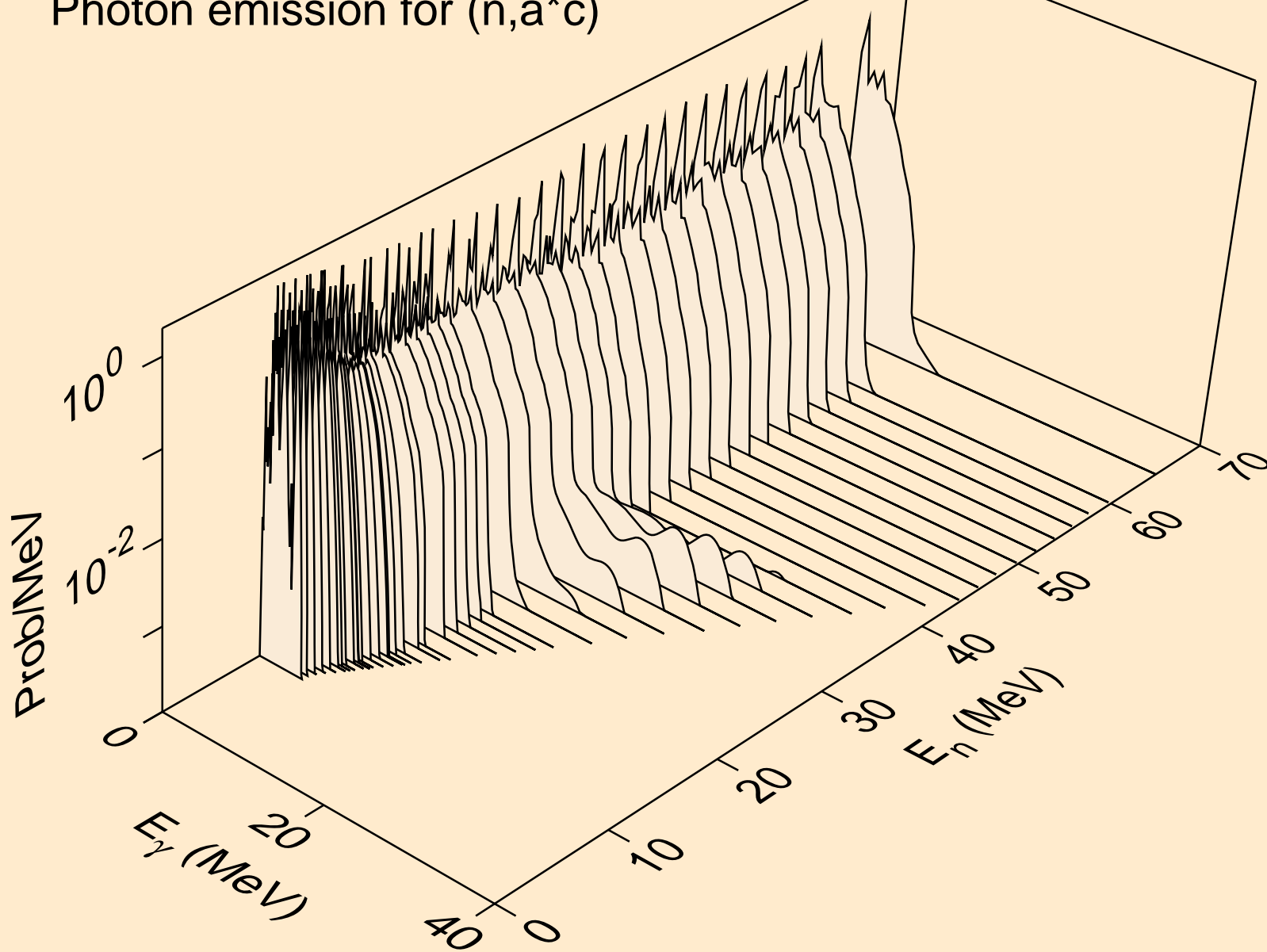
24-CR-52 FOR FENDL-3.2 FROM INDEN-1.0 BY NJOY2016.60+ OI
Photon emission for (n,pt)



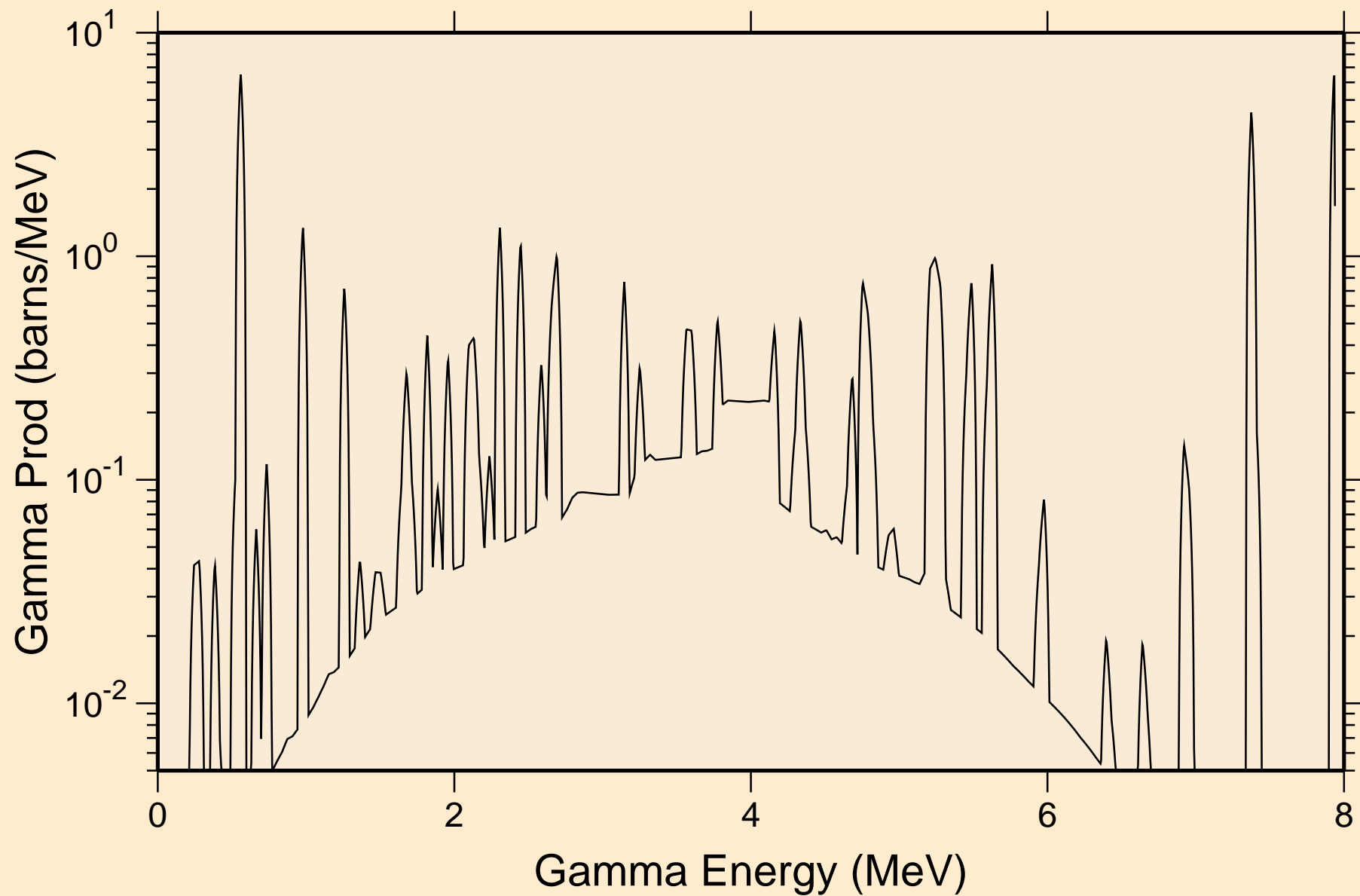
24-CR-52 FOR FENDL-3.2 FROM INDEN-1.0 BY NJOY2016.60+ OI
Photon emission for (n,p*c)



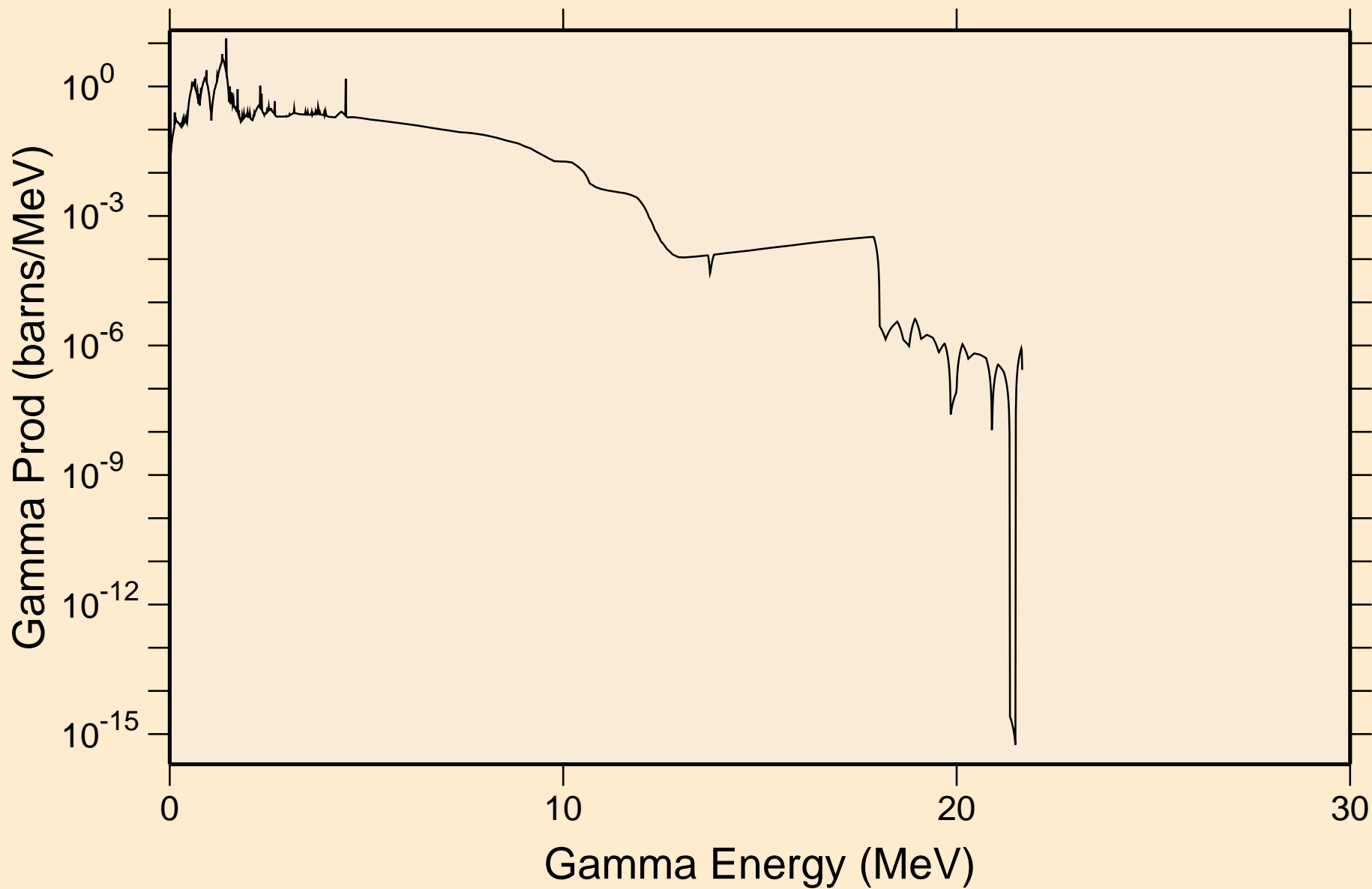
24-CR-52 FOR FENDL-3.2 FROM INDEN-1.0 BY NJOY2016.60+ OI
Photon emission for (n,a*c)



24-CR-52 FOR FENDL-3.2 FROM INDEN-1.0 BY NJOY2016.60+ OI
thermal capture photon spectrum

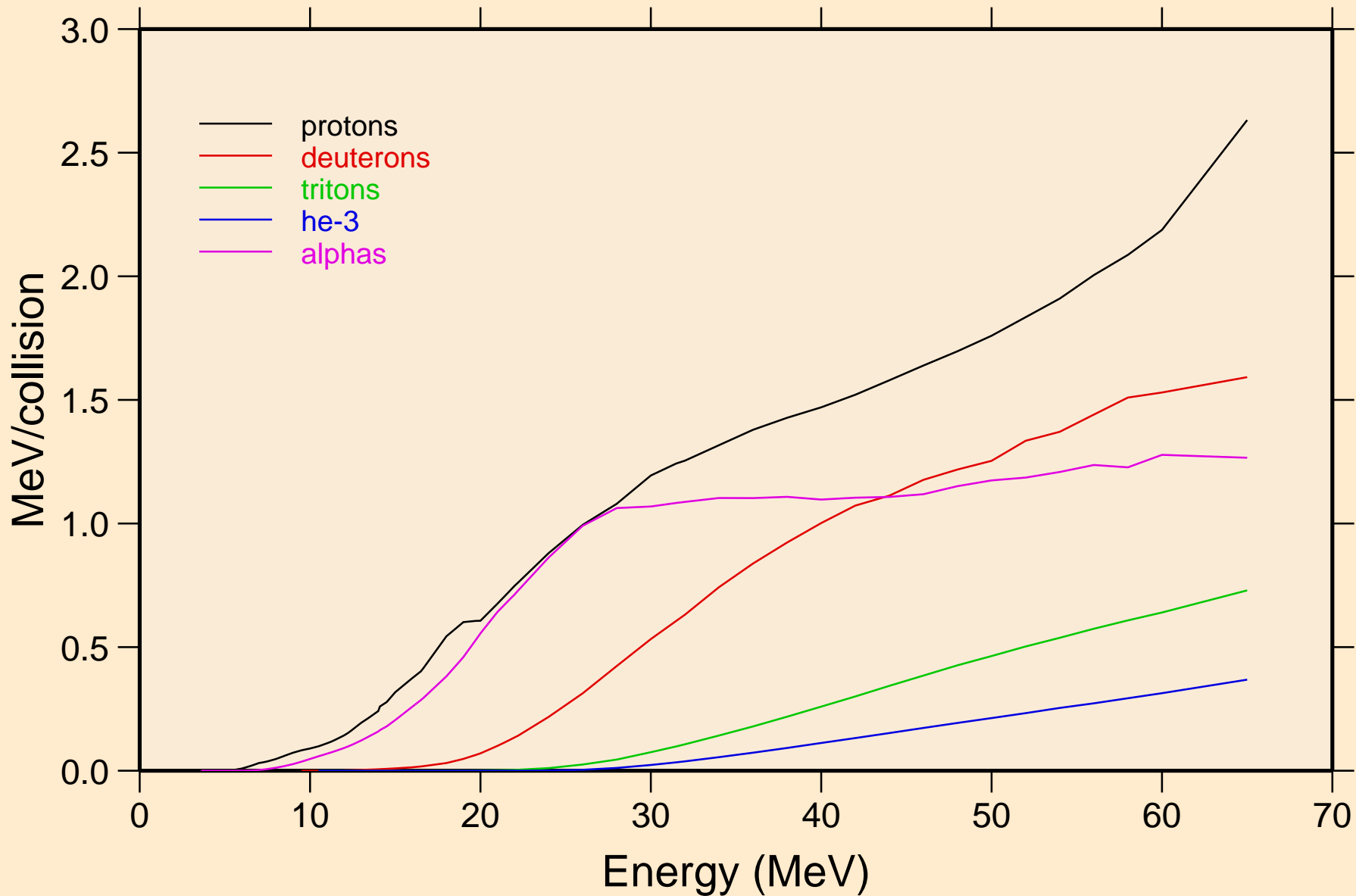


24-CR-52 FOR FENDL-3.2 FROM INDEN-1.0 BY NJOY2016.60+ OI
14 MeV photon spectrum

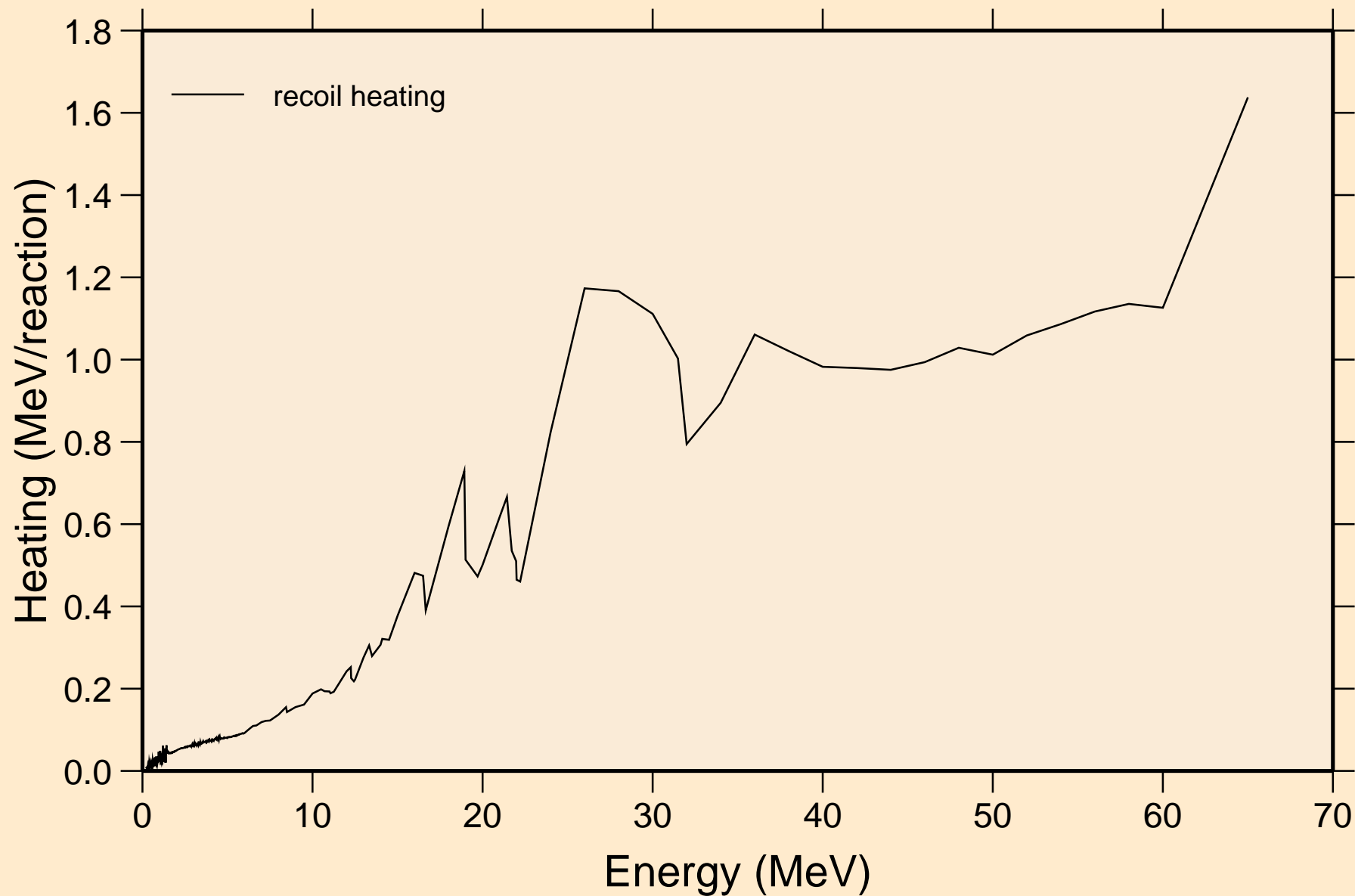


24-CR-52 FOR FENDL-3.2 FROM INDEN-1.0 BY NJOY2016.60+ OI

Particle heating contributions

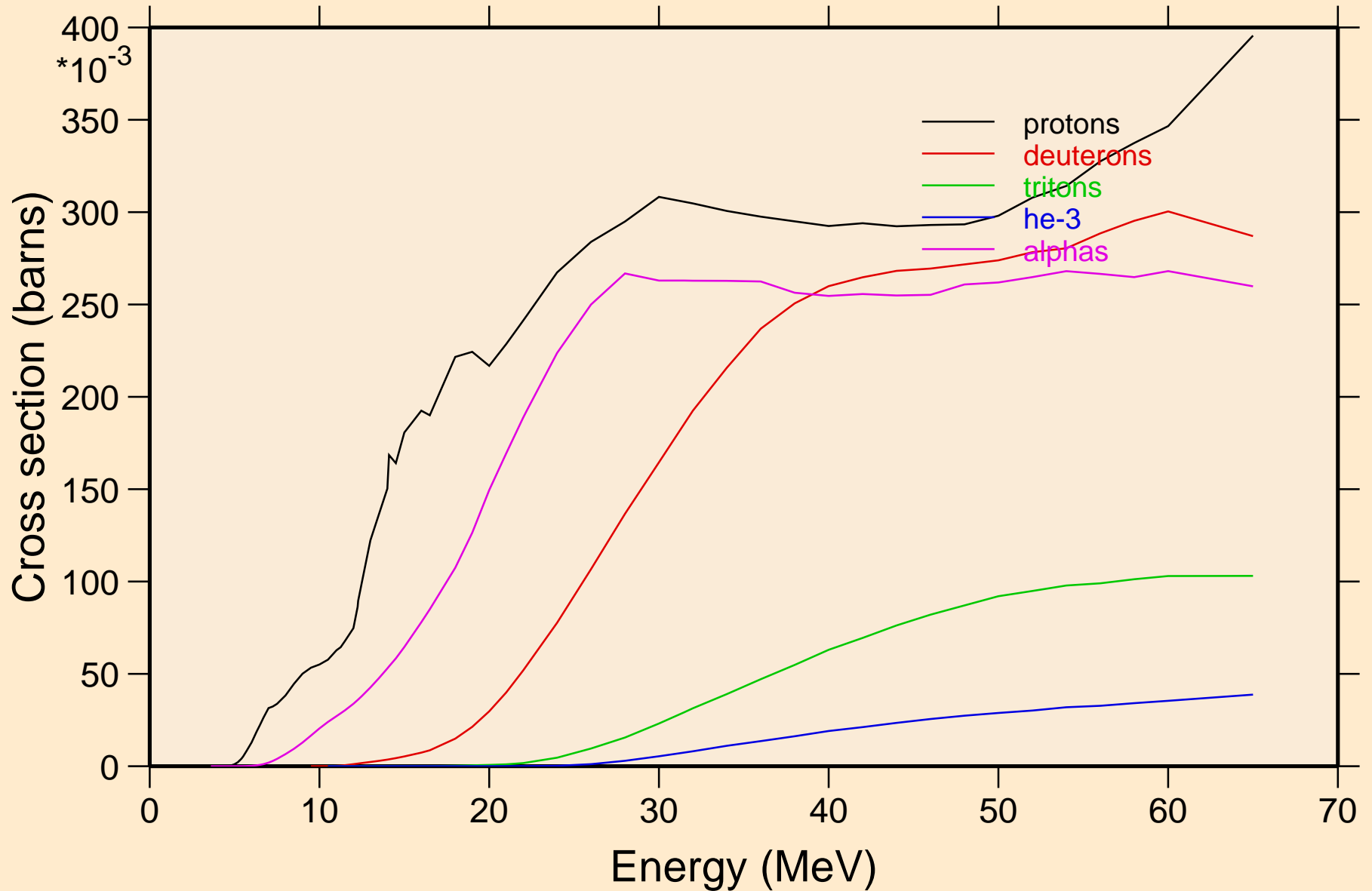


24-CR-52 FOR FENDL-3.2 FROM INDEN-1.0 BY NJOY2016.60+ OI Recoil Heating

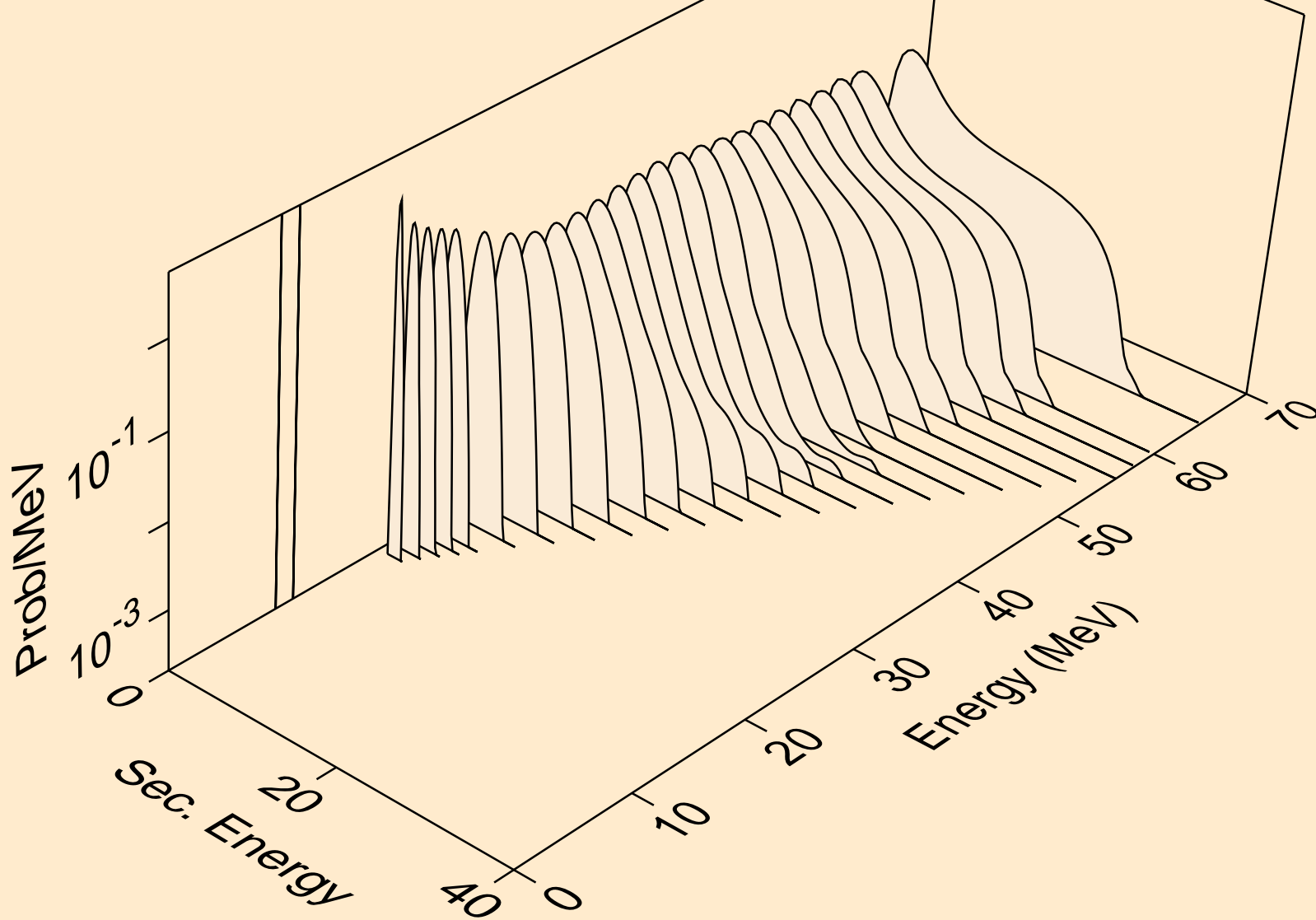


24-CR-52 FOR FENDL-3.2 FROM INDEN-1.0 BY NJOY2016.60+ OI

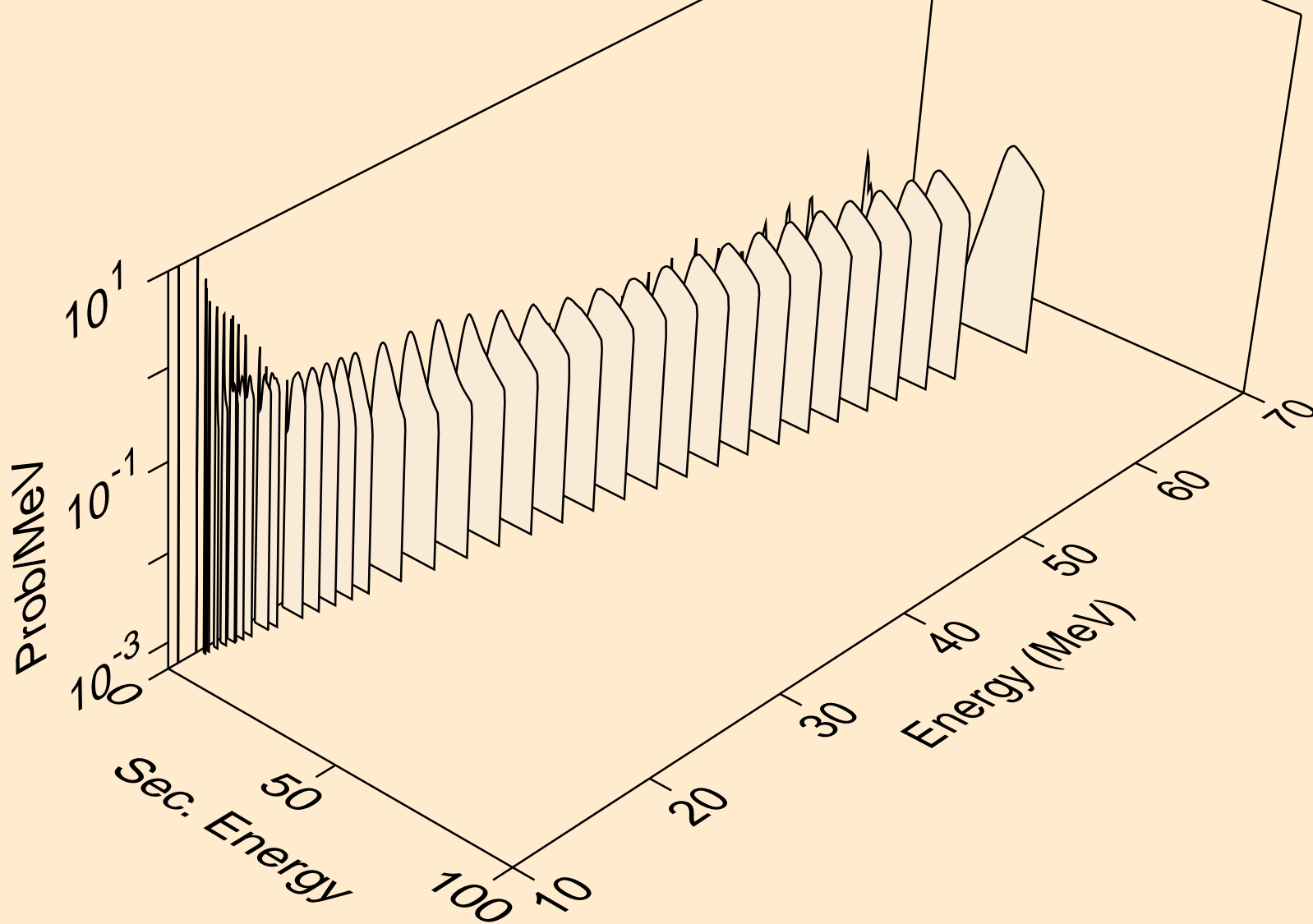
Particle production cross sections



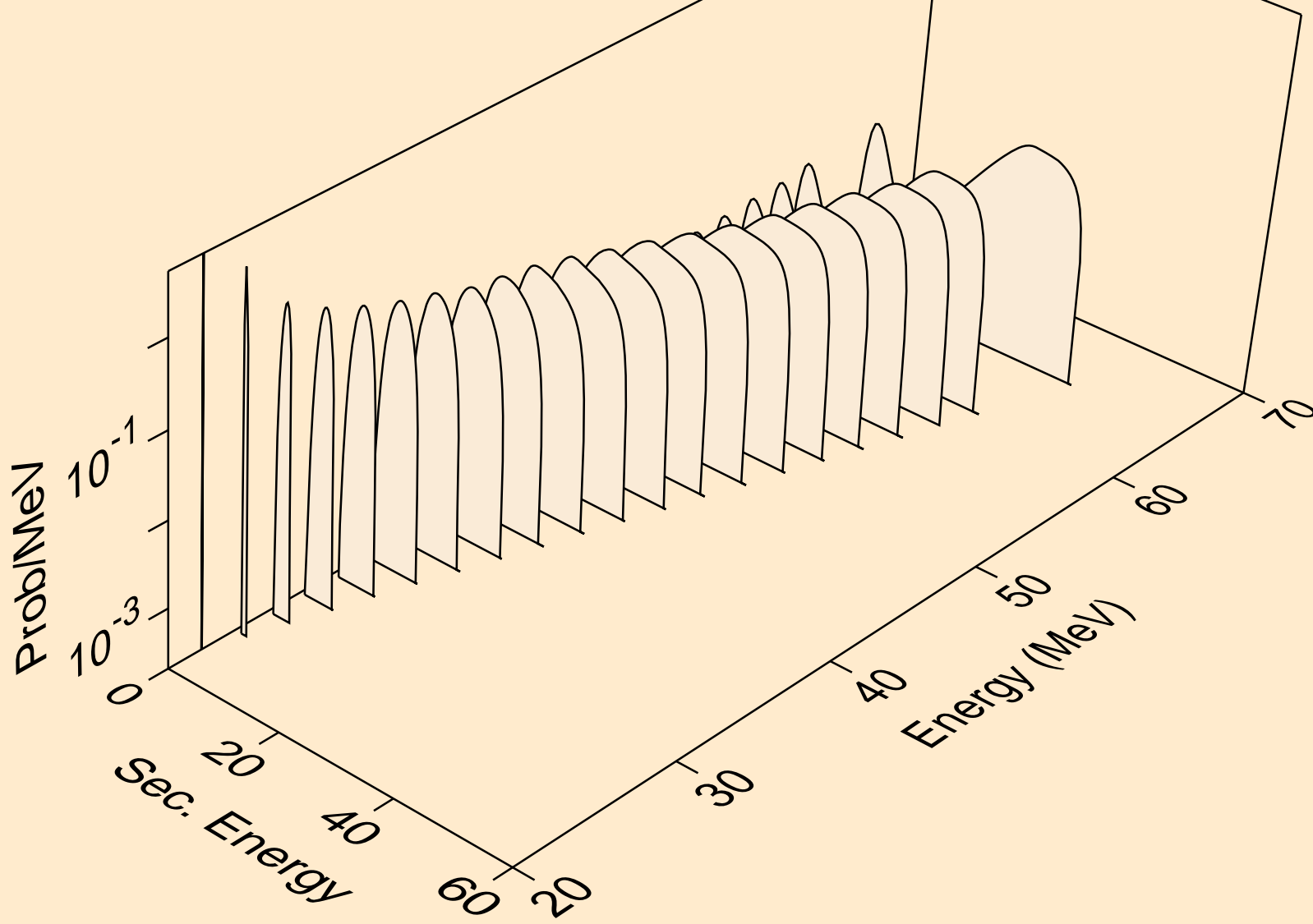
24-CR-52 FOR FENDL-3.2 FROM INDEN-1.0 BY NJOY2016.60+ OI
protons from (n,x)



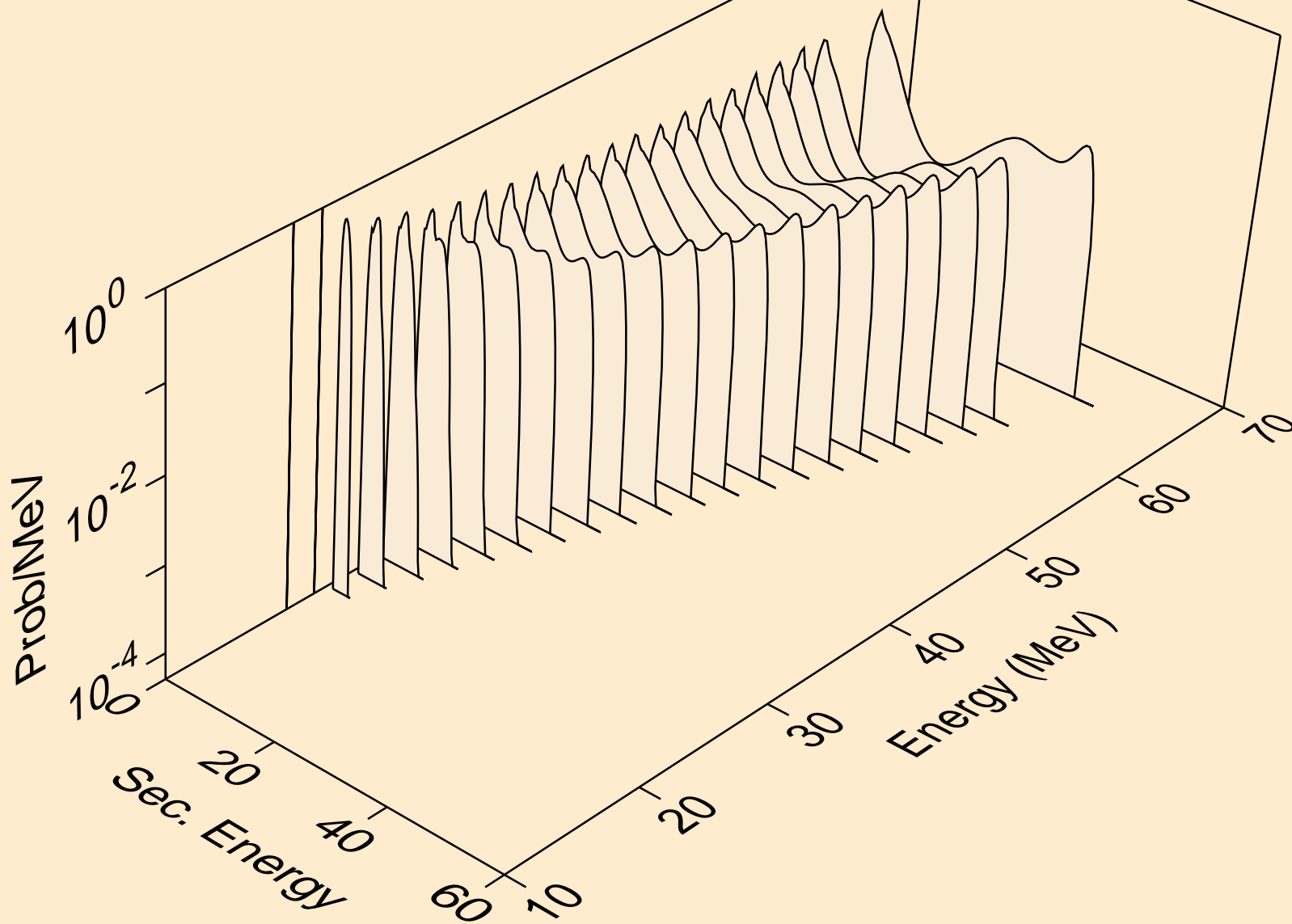
24-CR-52 FOR FENDL-3.2 FROM INDEN-1.0 BY NJOY2016.60+ OI
protons from (n,n*)p



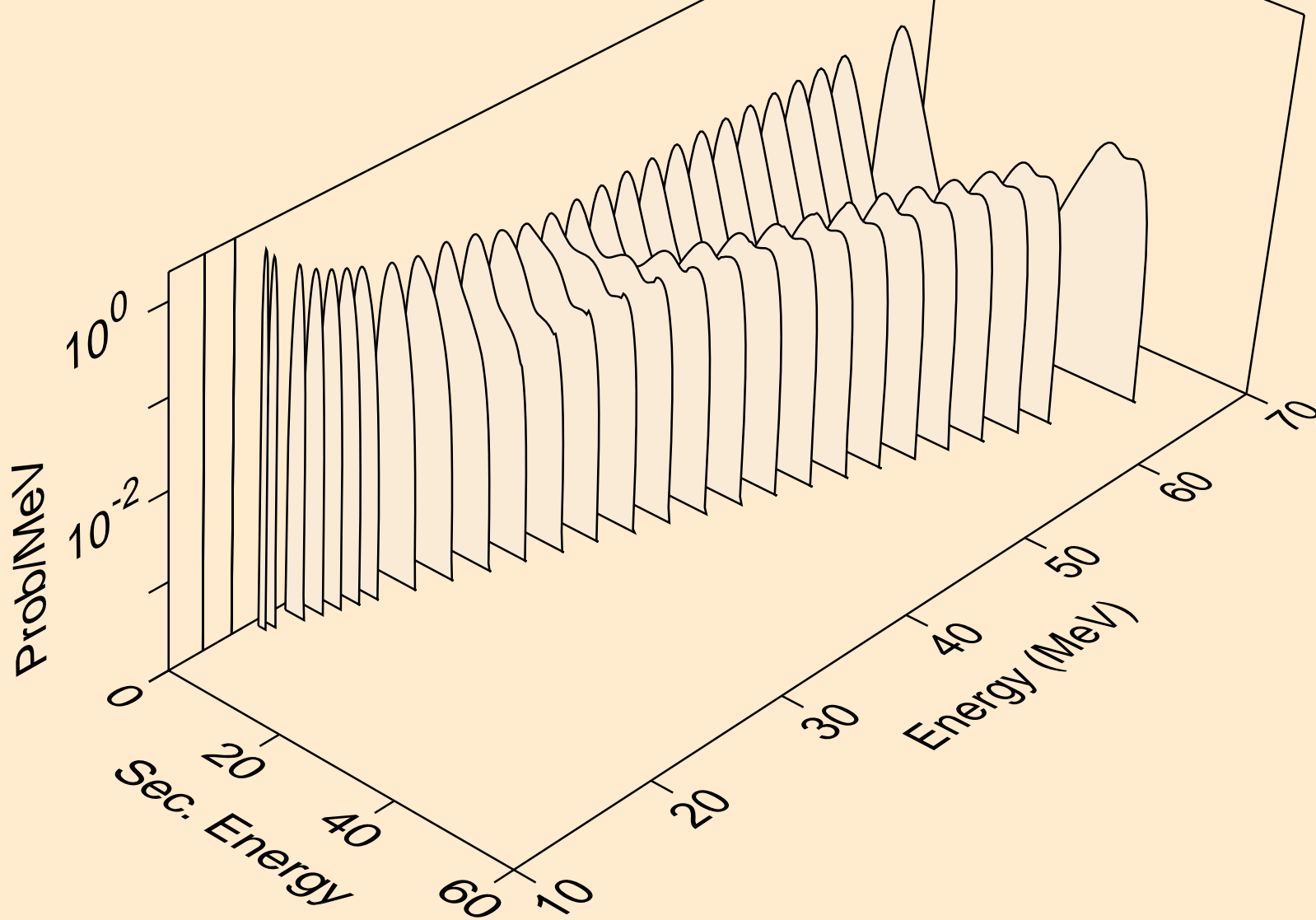
24-CR-52 FOR FENDL-3.2 FROM INDEN-1.0 BY NJOY2016.60+ OI
protons from (n,2np)



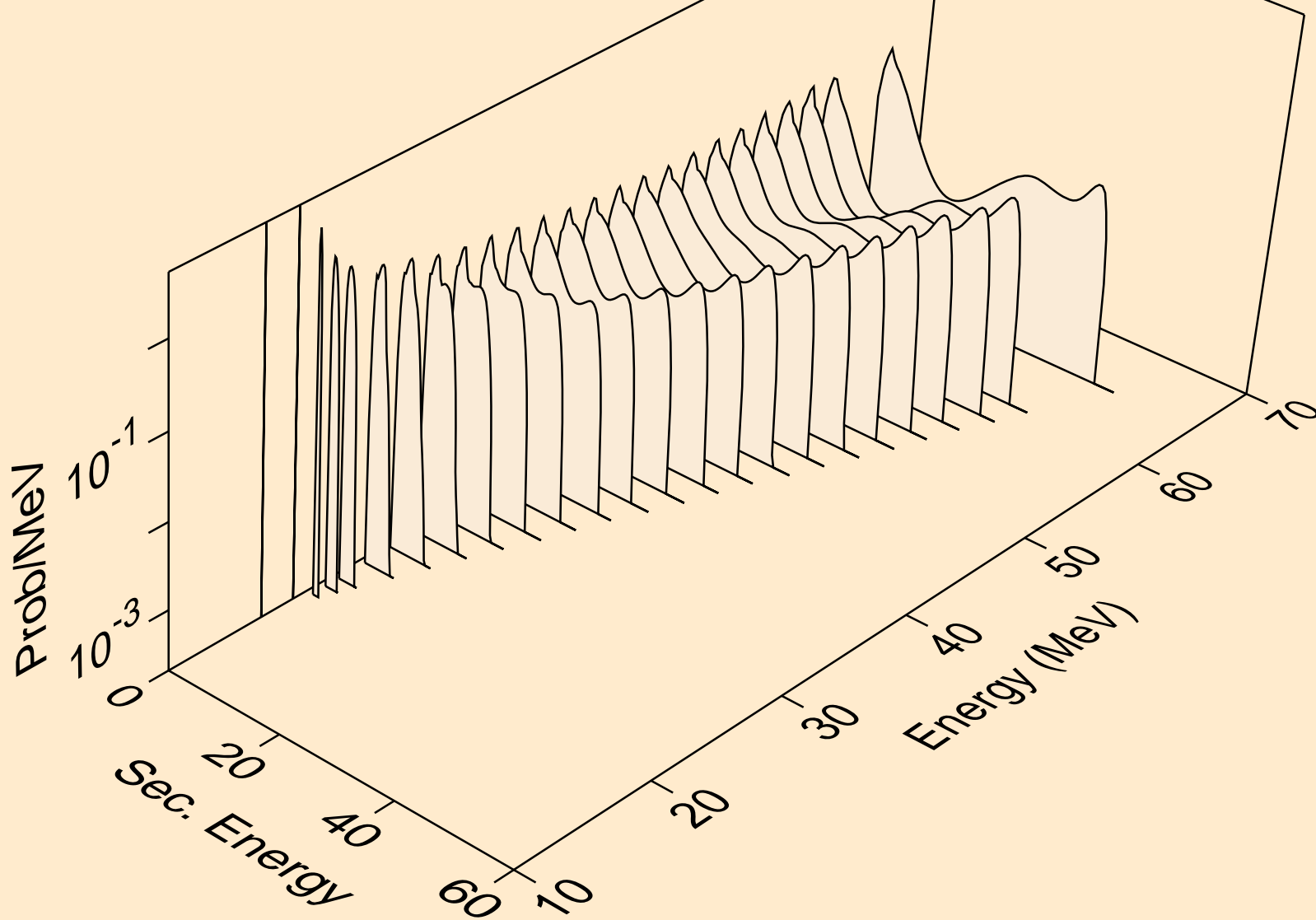
24-CR-52 FOR FENDL-3.2 FROM INDEN-1.0 BY NJOY2016.60+ OI
protons from (n,2np)



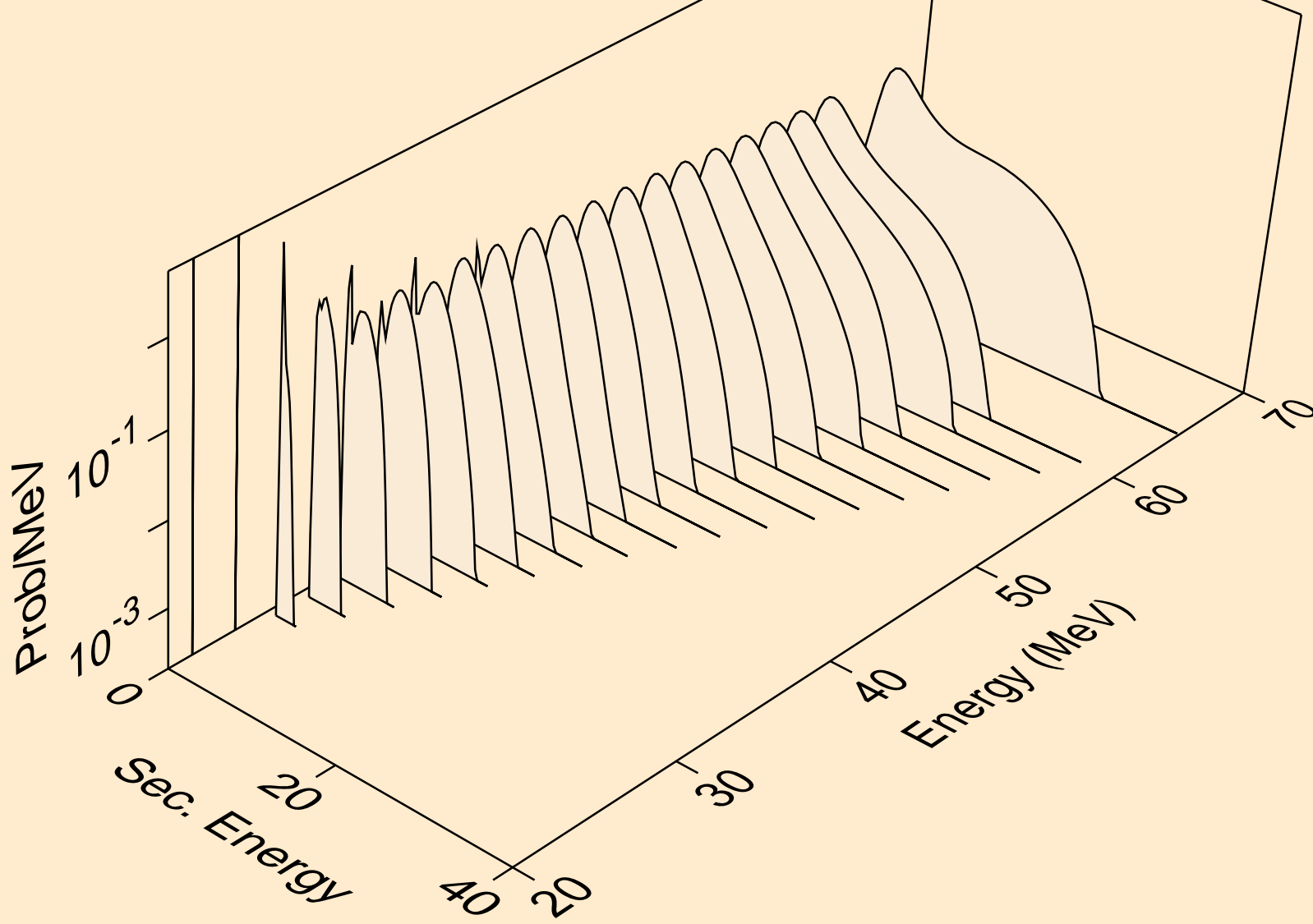
24-CR-52 FOR FENDL-3.2 FROM INDEN-1.0 BY NJOY2016.60+ OI
protons from (n,2p)



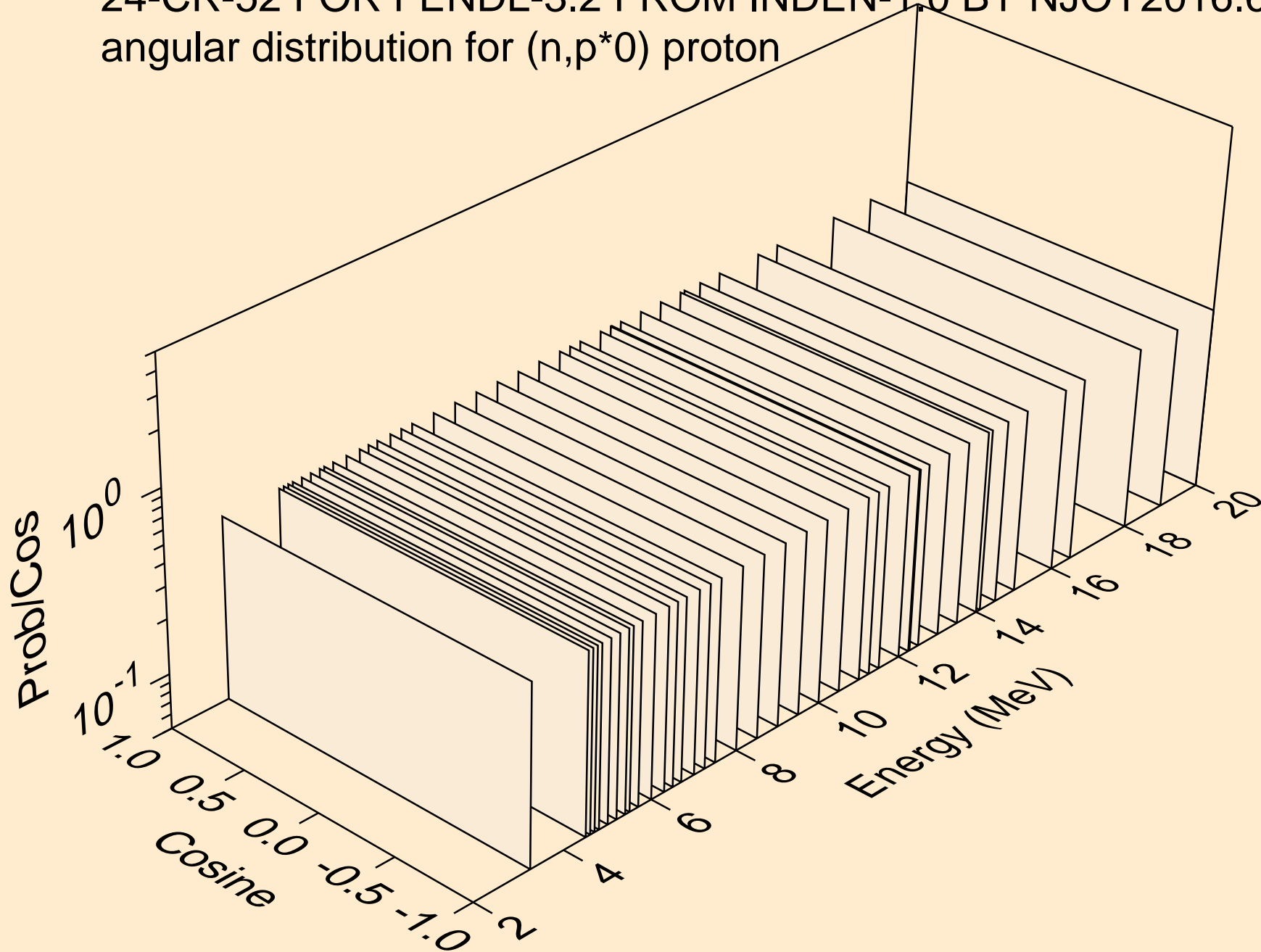
24-CR-52 FOR FENDL-3.2 FROM INDEN-1.0 BY NJOY2016.60+ OI
protons from (n,pd)



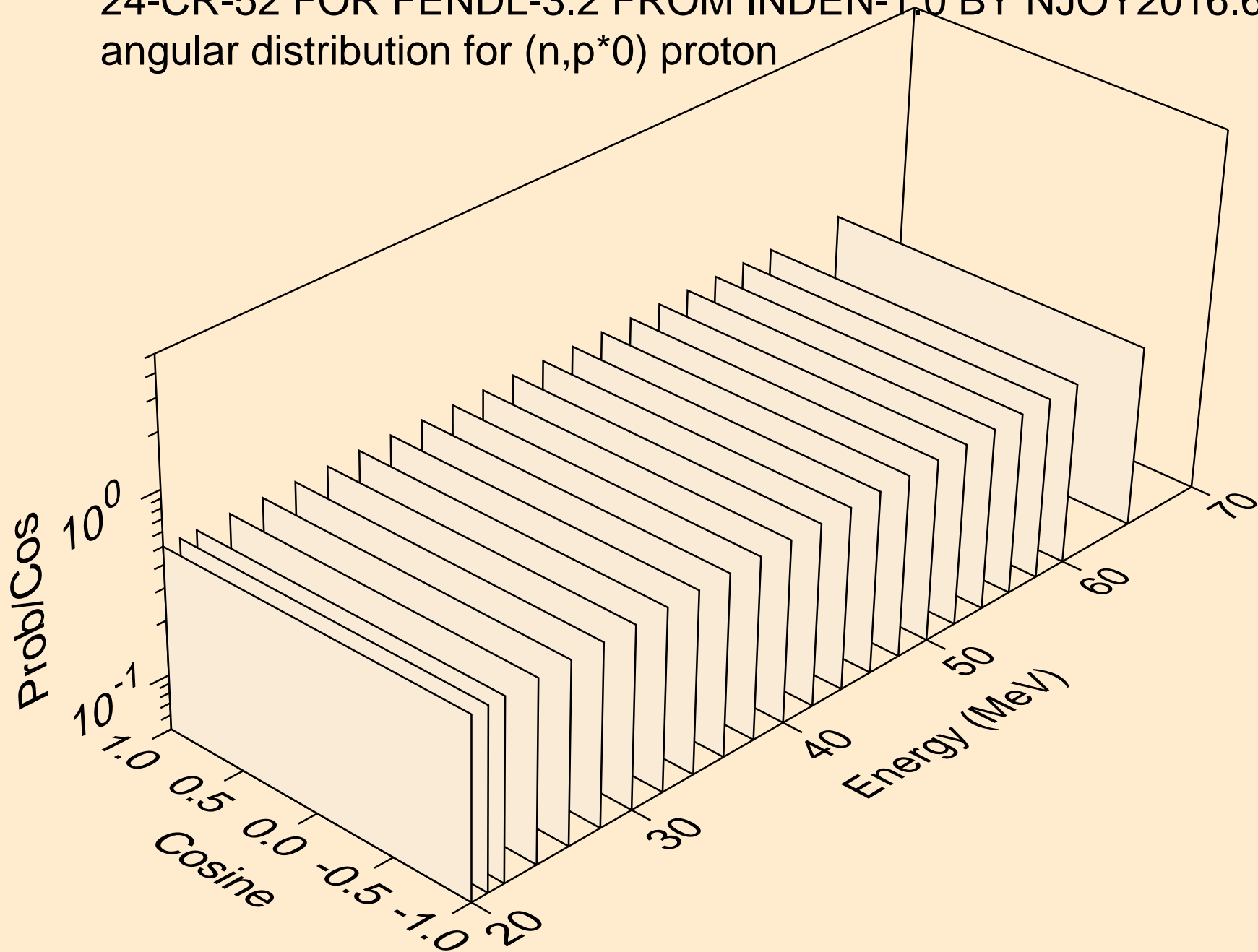
24-CR-52 FOR FENDL-3.2 FROM INDEN-1.0 BY NJOY2016.60+ OI
protons from (n,pt)



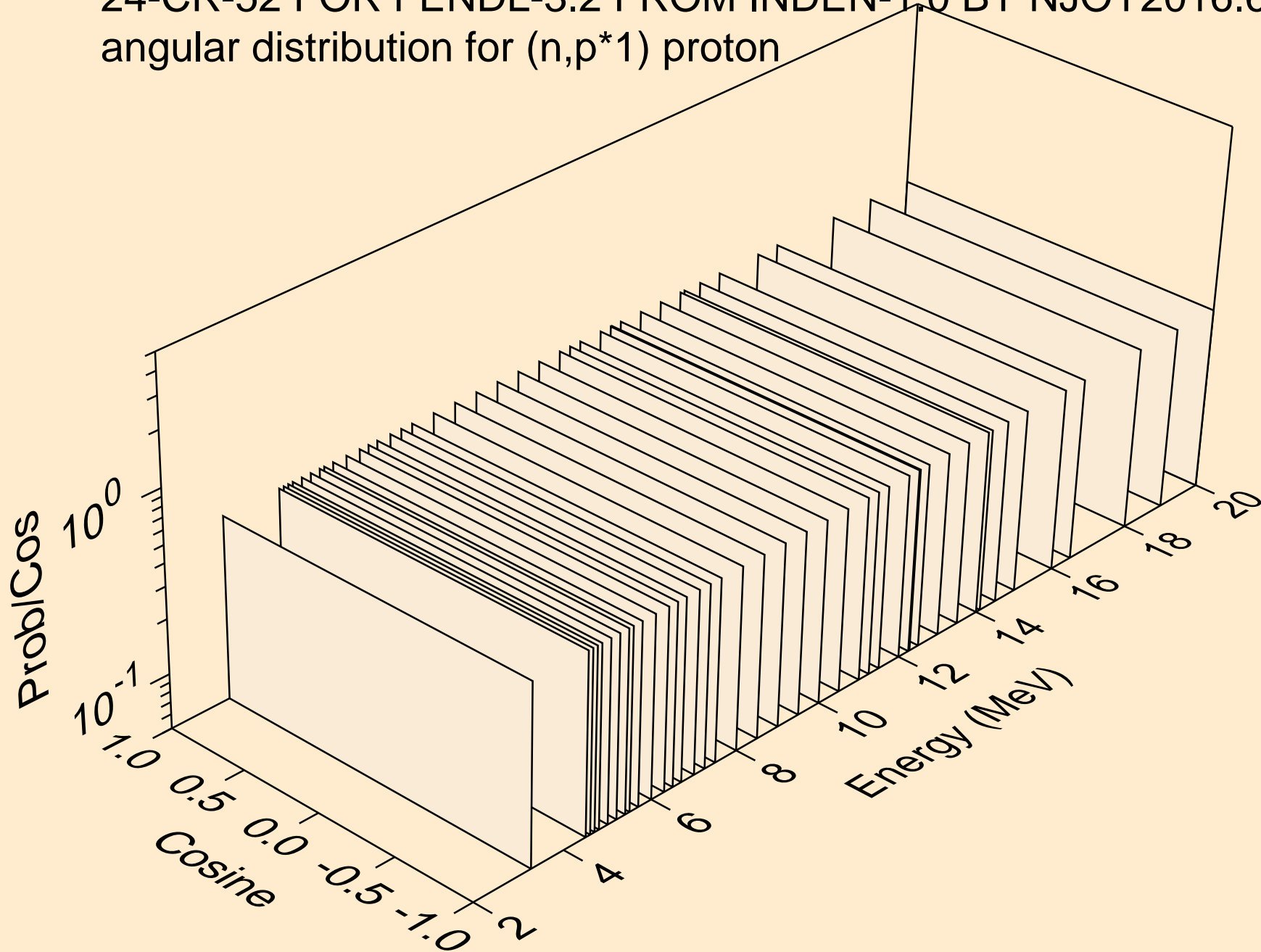
24-CR-52 FOR FENDL-3.2 FROM INDEN-1.0 BY NJOY2016.60+ OI
angular distribution for (n,p*0) proton



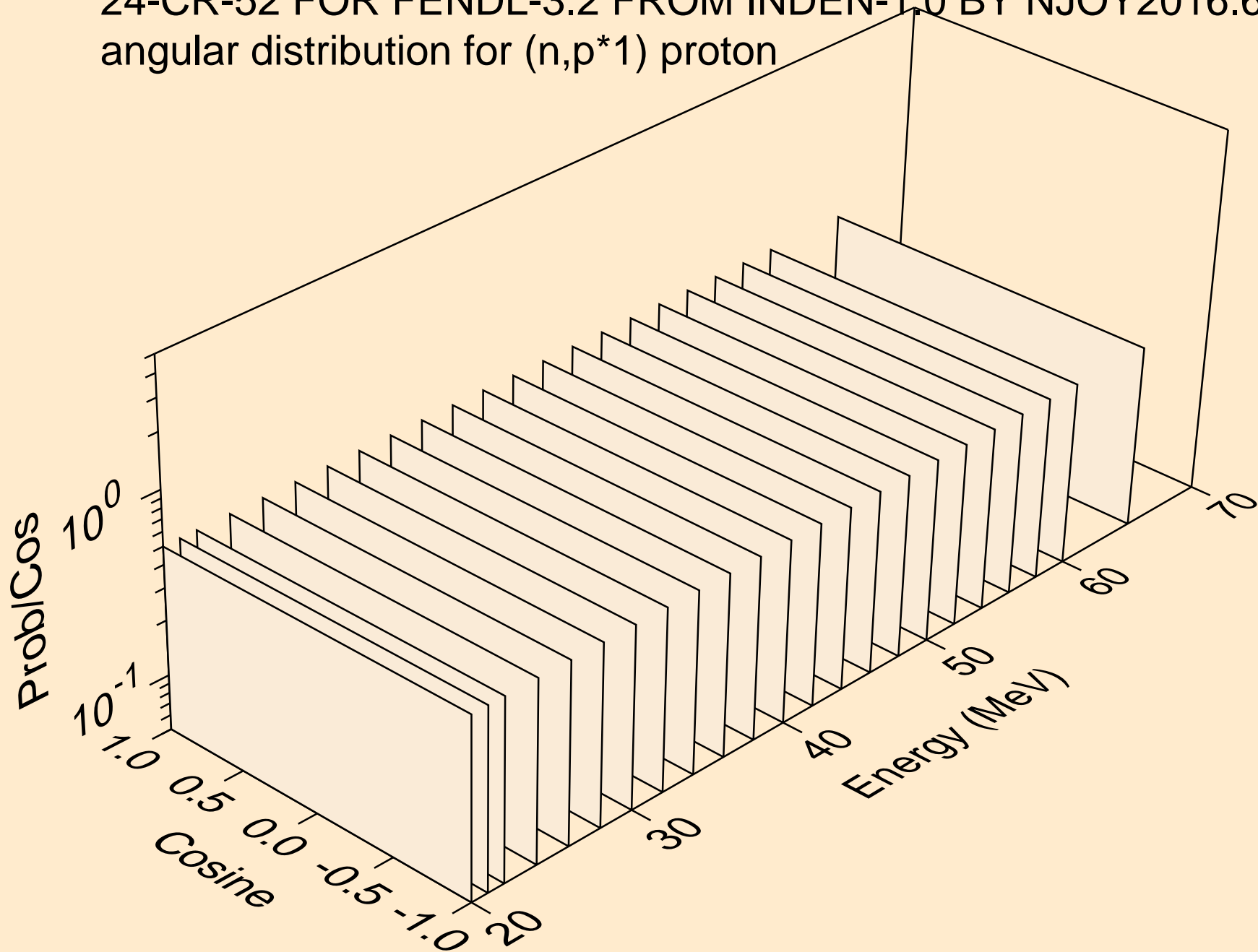
24-CR-52 FOR FENDL-3.2 FROM INDEN-1.0 BY NJOY2016.60+ OI
angular distribution for (n,p*0) proton



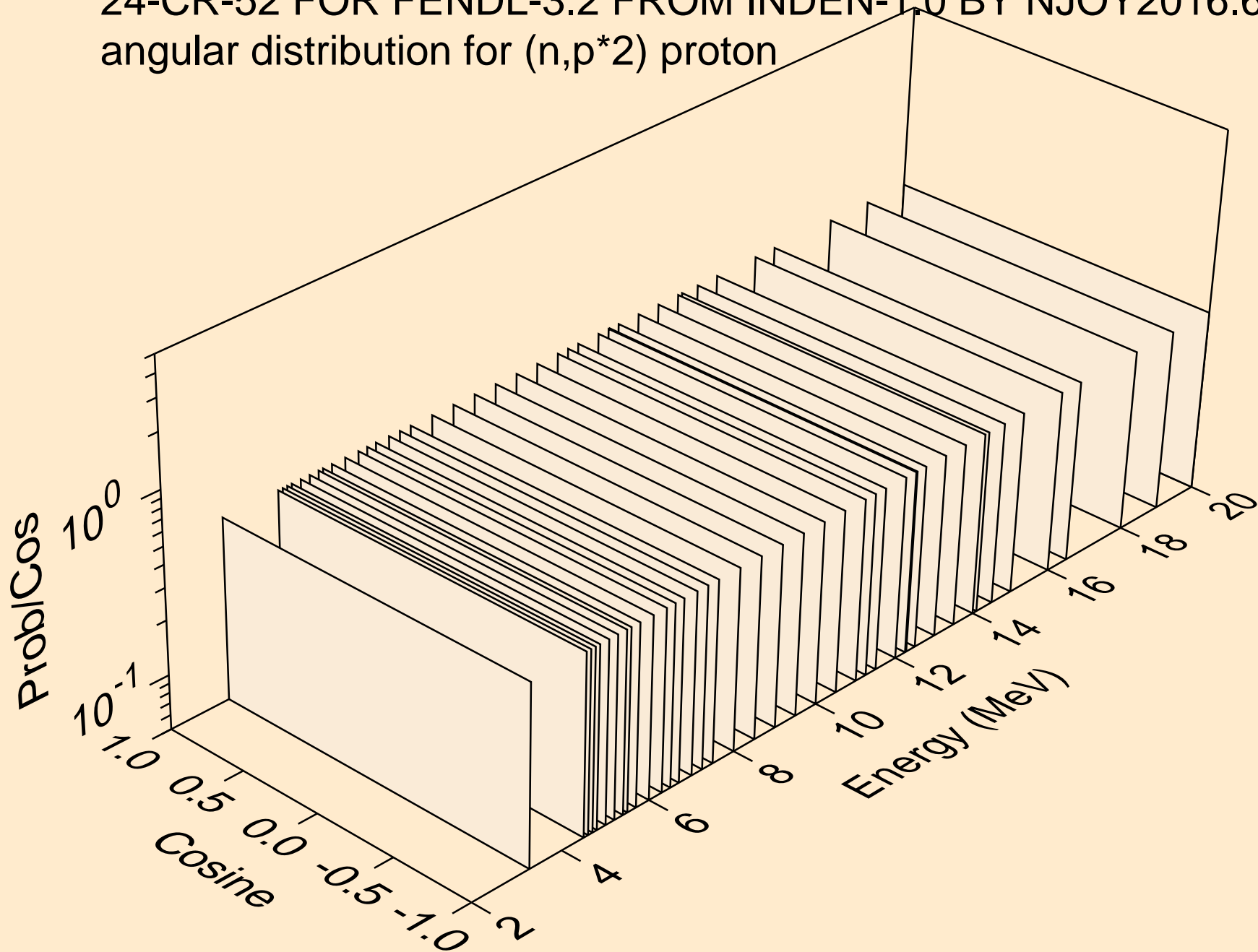
24-CR-52 FOR FENDL-3.2 FROM INDEN-1.0 BY NJOY2016.60+ OI
angular distribution for (n,p*1) proton



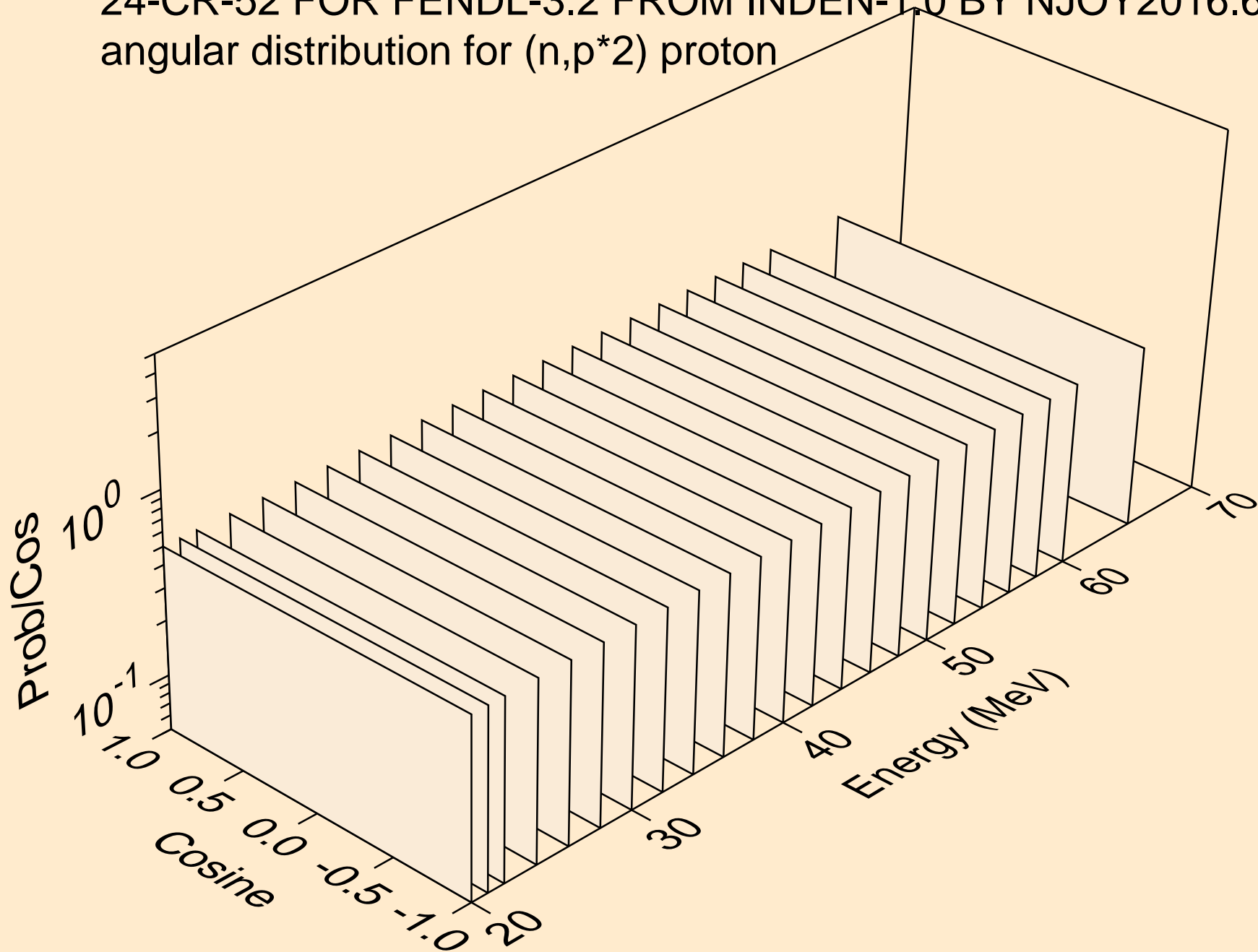
24-CR-52 FOR FENDL-3.2 FROM INDEN-1.0 BY NJOY2016.60+ OI
angular distribution for (n,p*1) proton



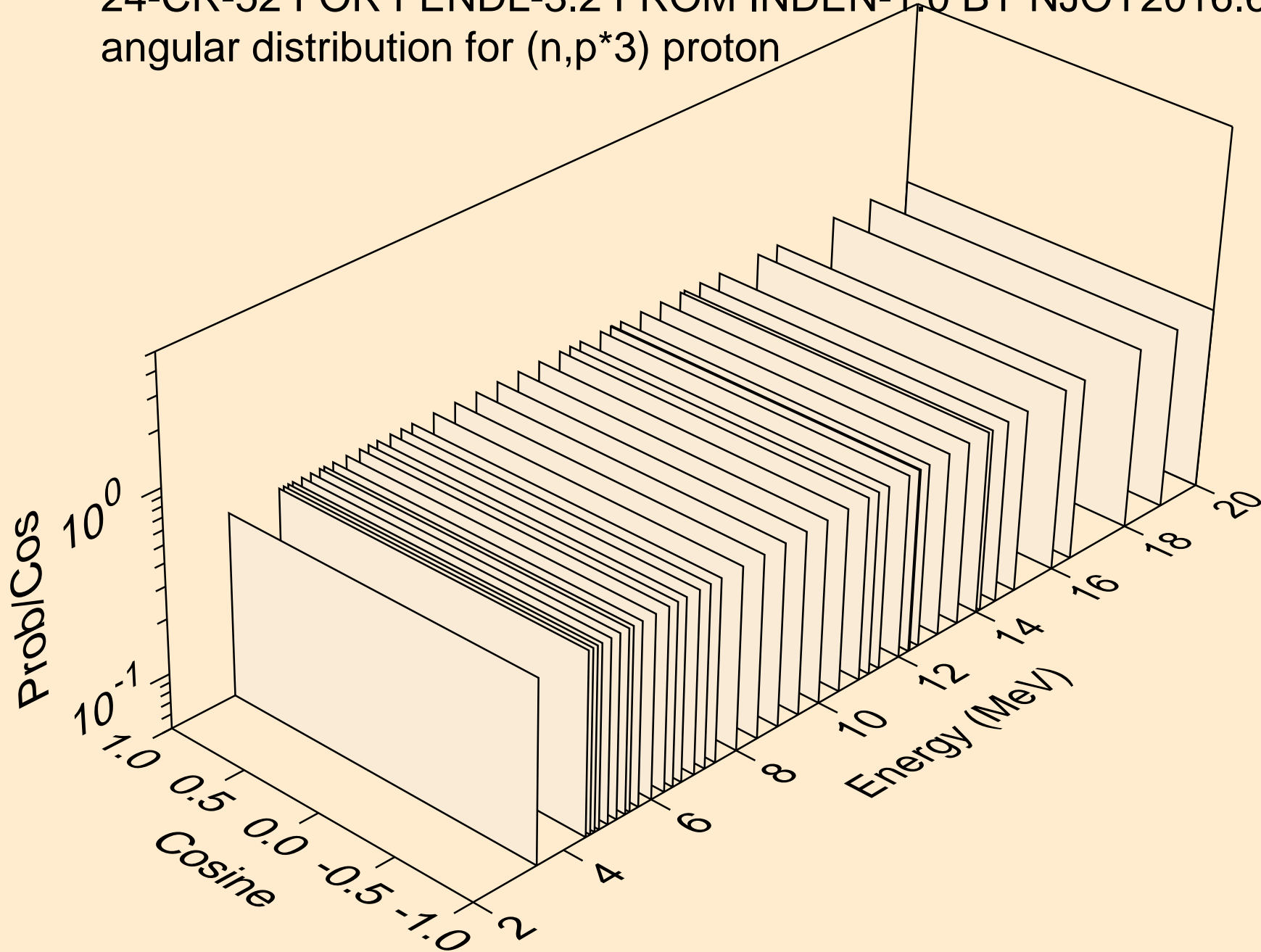
24-CR-52 FOR FENDL-3.2 FROM INDEN-1.0 BY NJOY2016.60+ OI
angular distribution for (n,p*2) proton



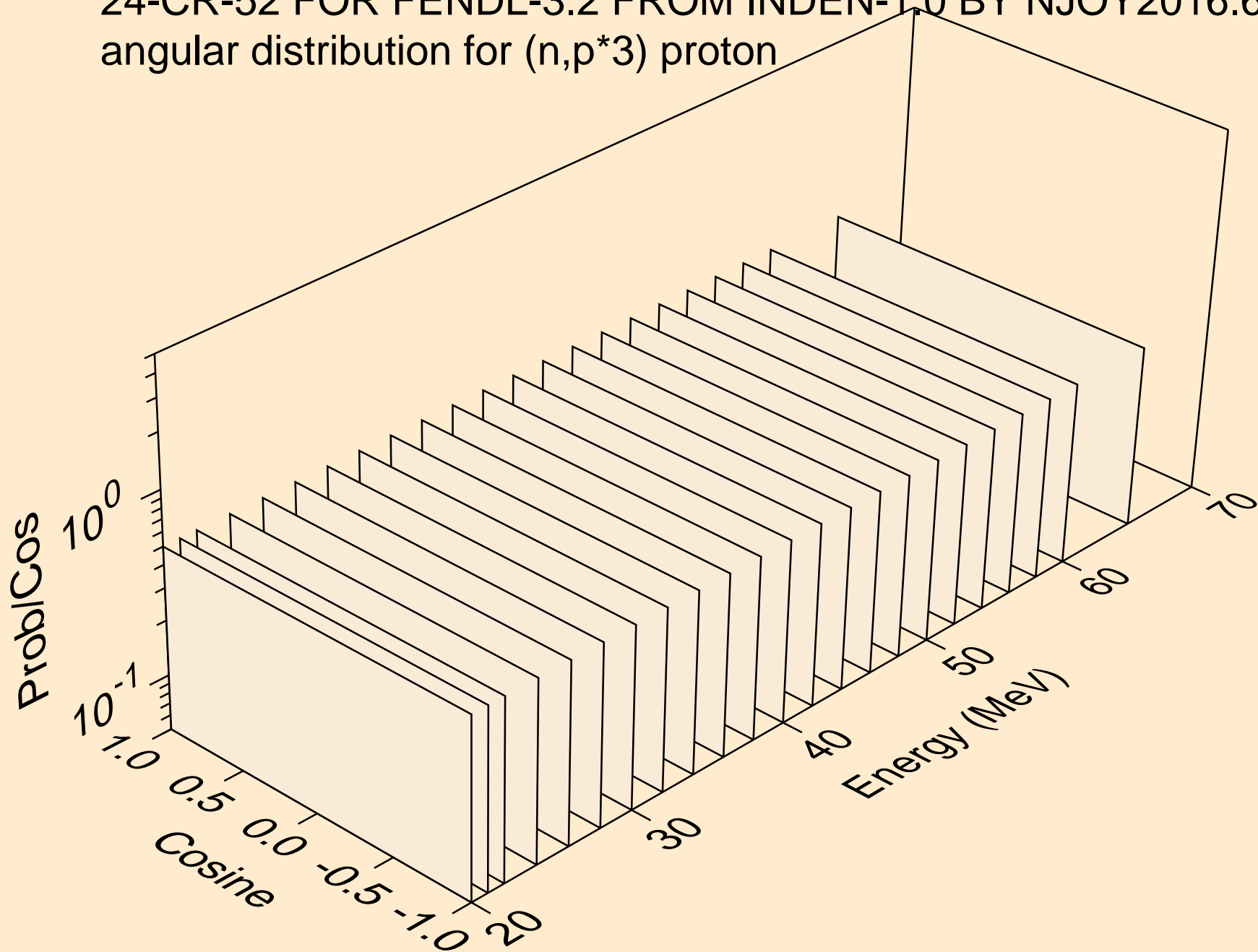
24-CR-52 FOR FENDL-3.2 FROM INDEN-1.0 BY NJOY2016.60+ OI
angular distribution for (n,p*2) proton



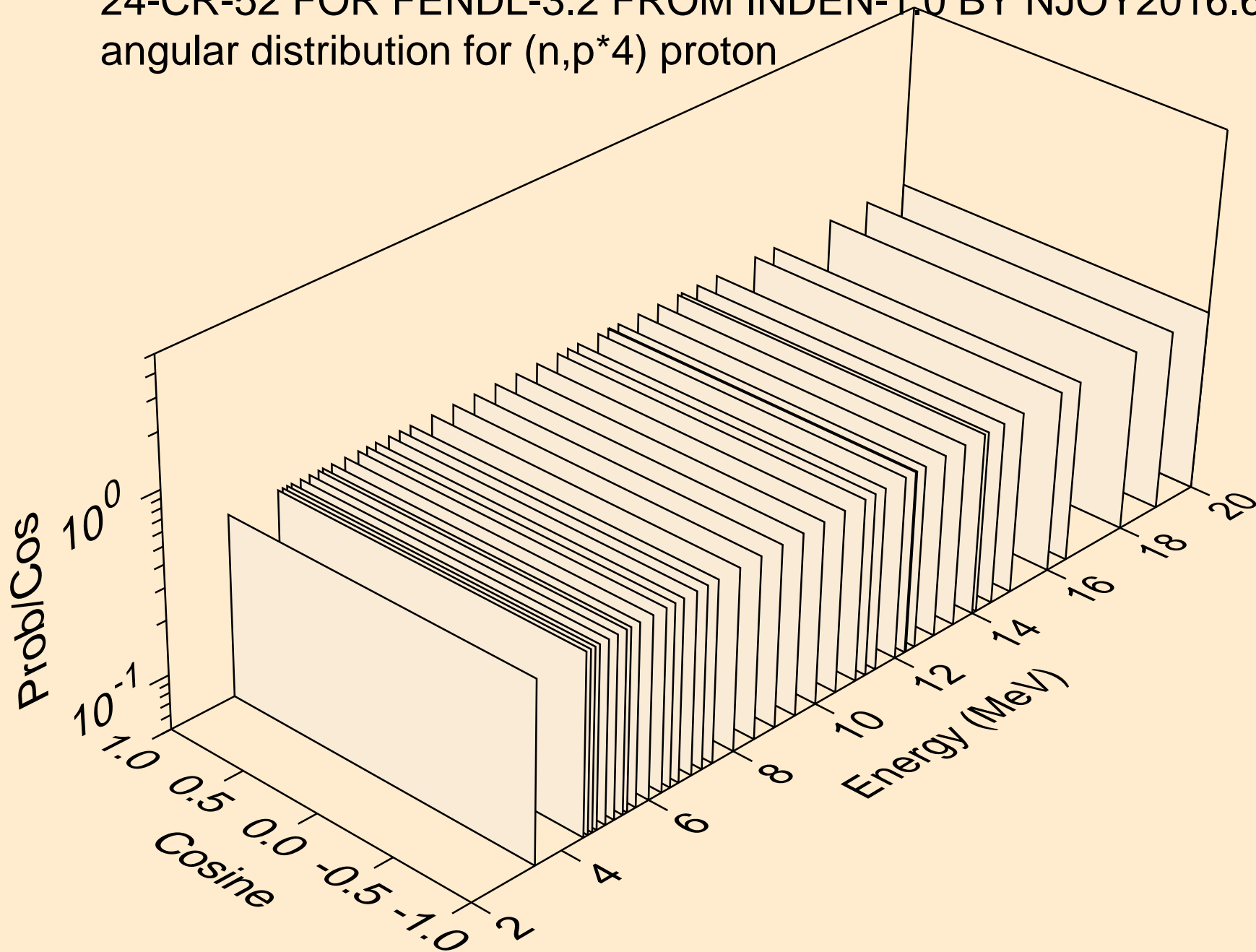
24-CR-52 FOR FENDL-3.2 FROM INDEN-1.0 BY NJOY2016.60+ OI
angular distribution for (n,p*3) proton



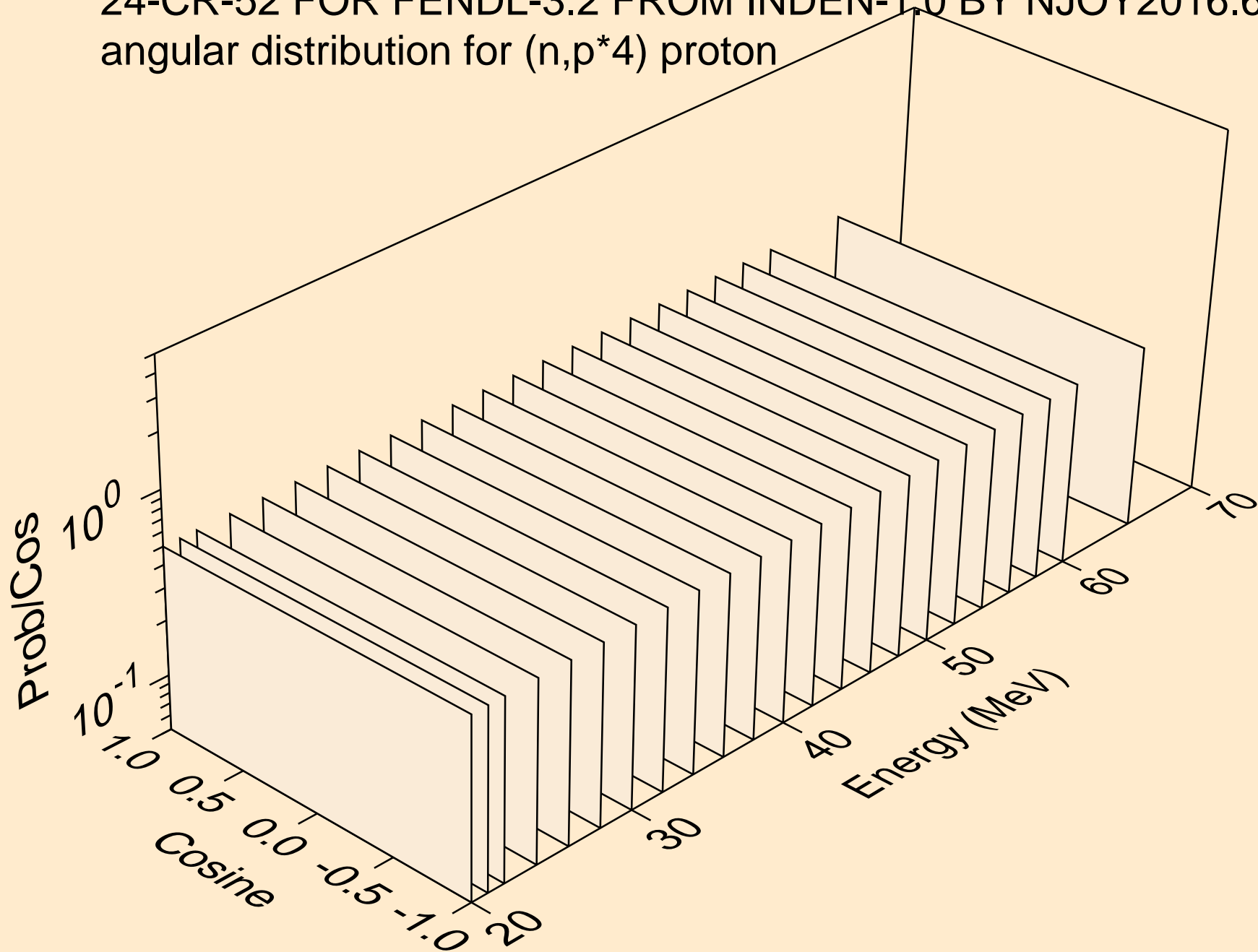
24-CR-52 FOR FENDL-3.2 FROM INDEN-1.0 BY NJOY2016.60+ OI
angular distribution for (n,p*3) proton



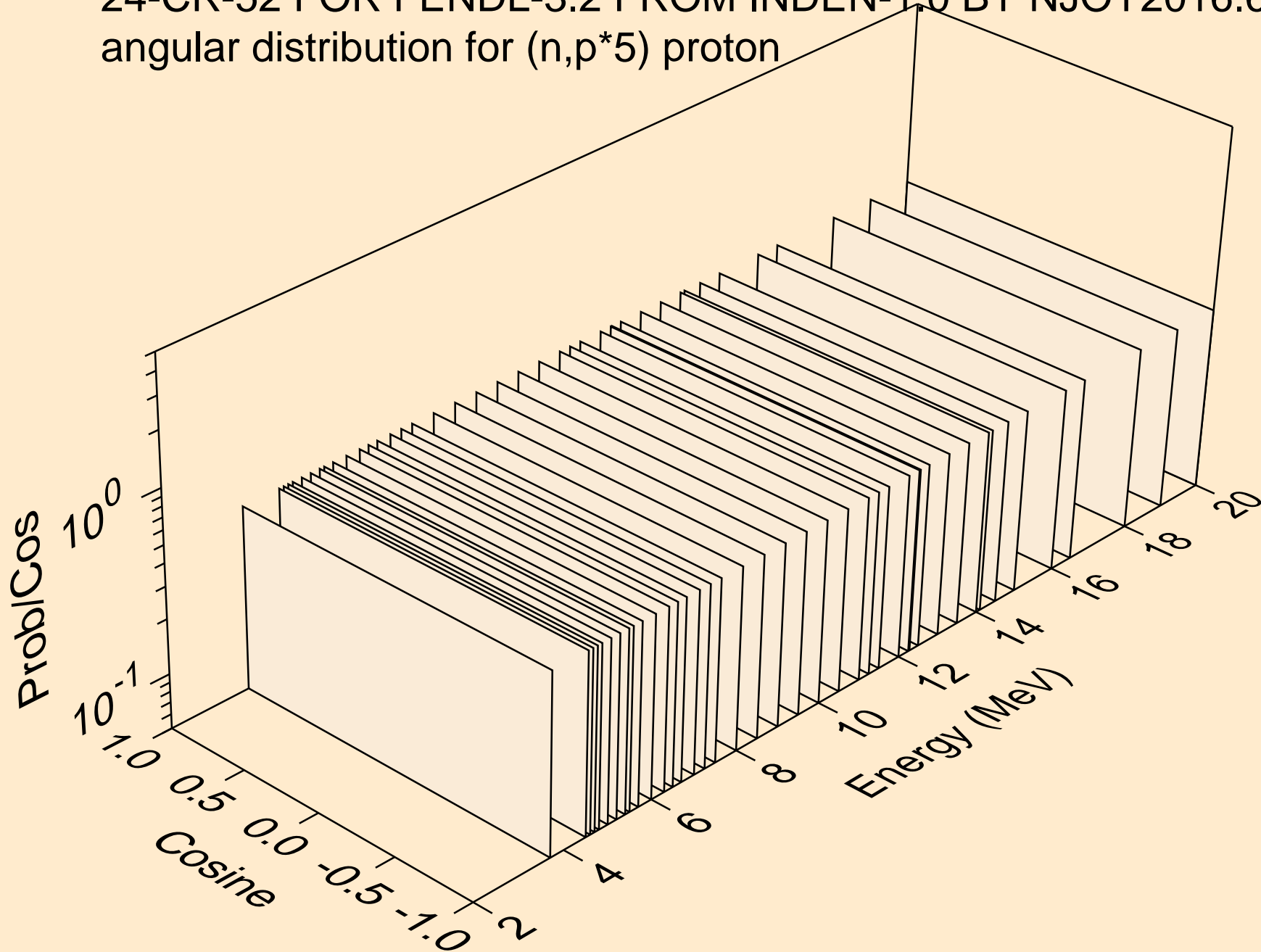
24-CR-52 FOR FENDL-3.2 FROM INDEN-1.0 BY NJOY2016.60+ OI
angular distribution for (n,p*4) proton



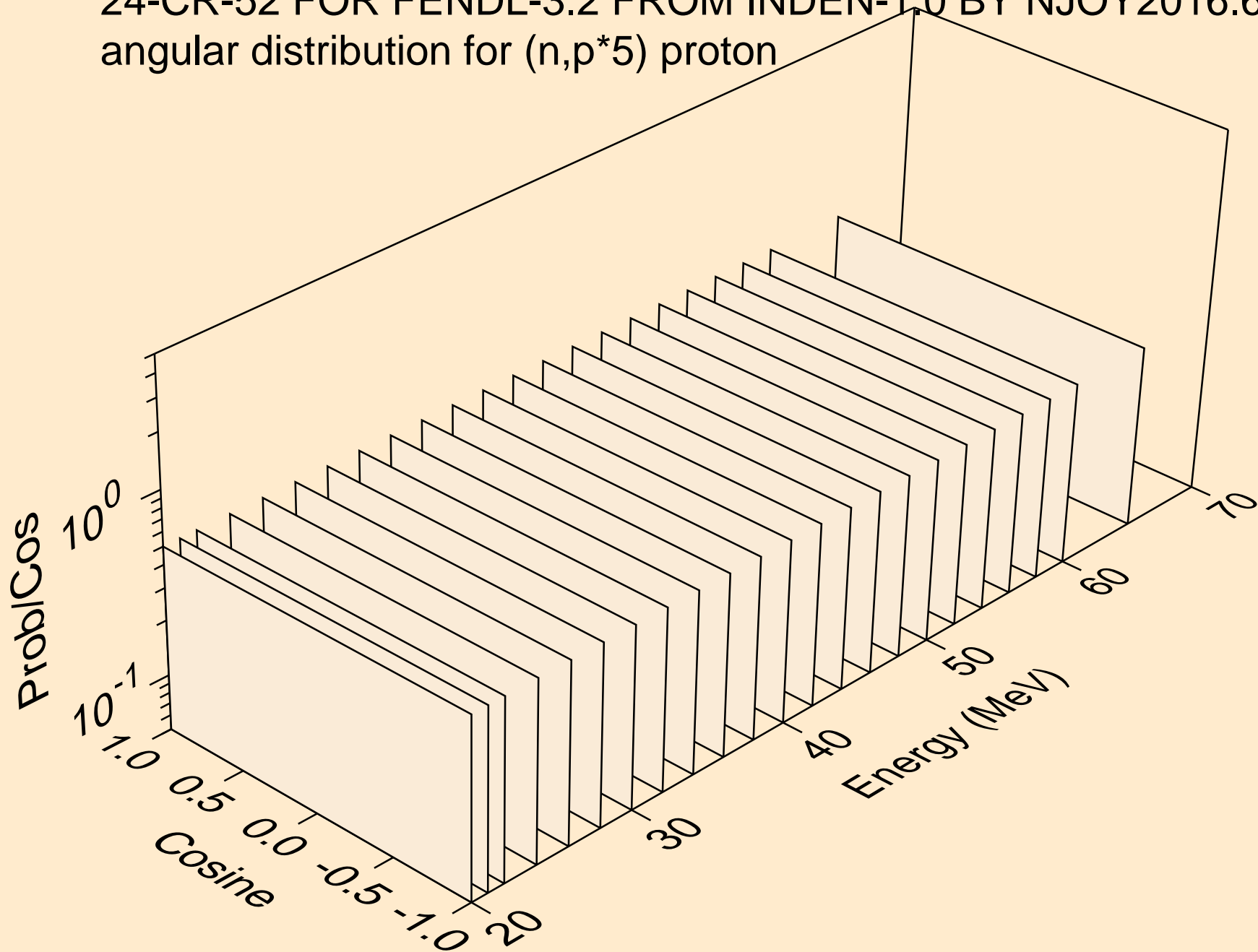
24-CR-52 FOR FENDL-3.2 FROM INDEN-1.0 BY NJOY2016.60+ OI
angular distribution for (n,p*4) proton



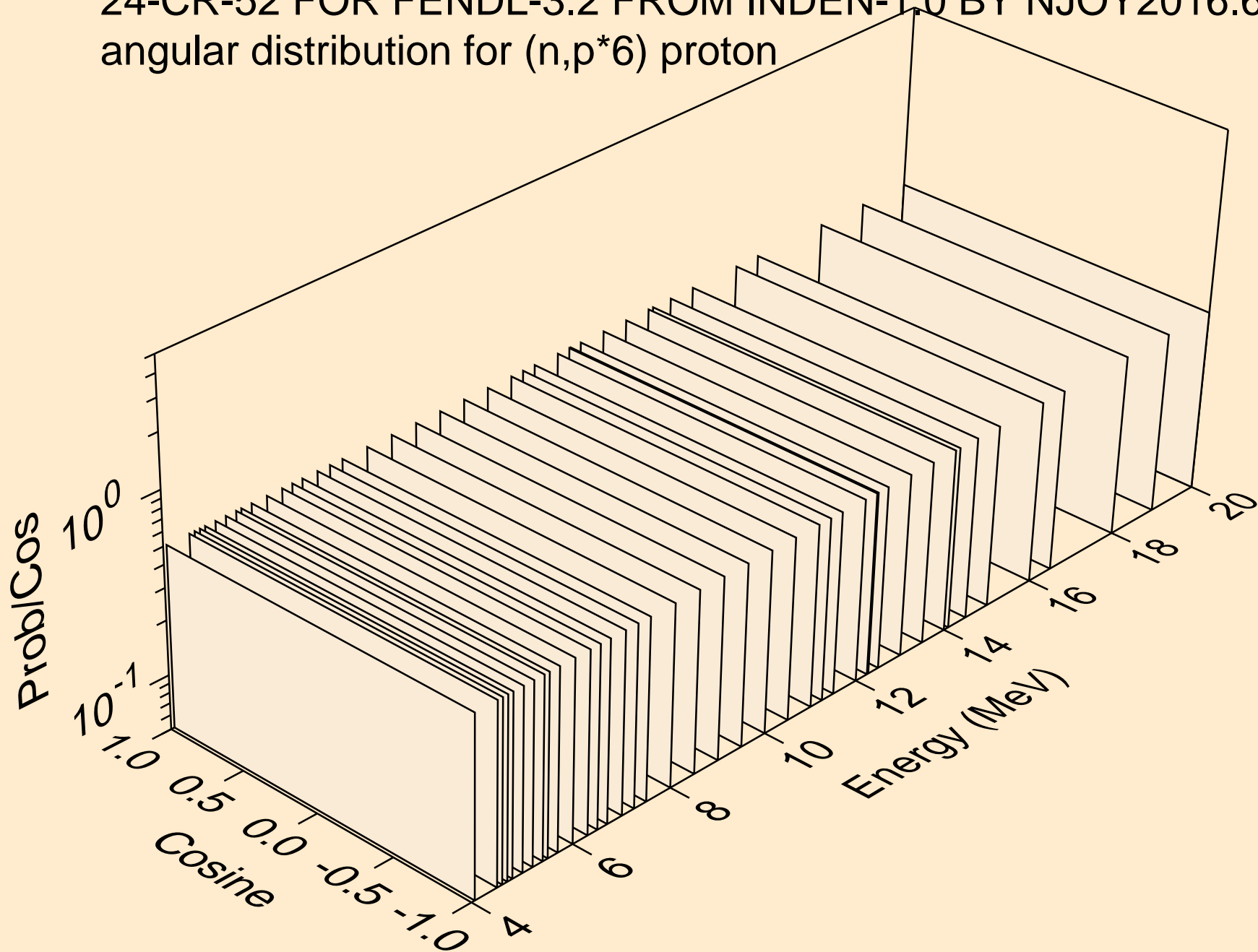
24-CR-52 FOR FENDL-3.2 FROM INDEN-1.0 BY NJOY2016.60+ OI
angular distribution for (n,p*5) proton



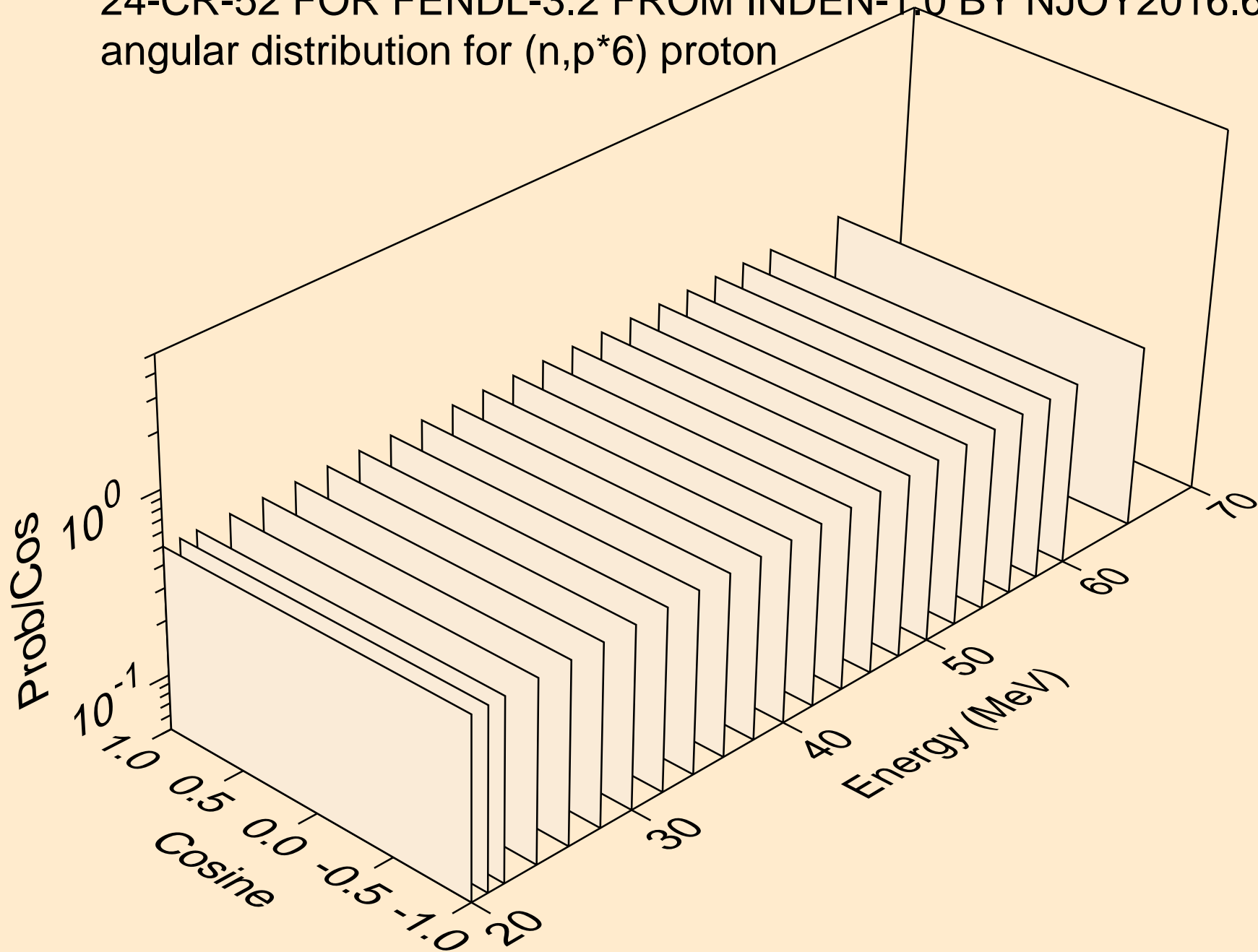
24-CR-52 FOR FENDL-3.2 FROM INDEN-1.0 BY NJOY2016.60+ OI
angular distribution for (n,p*5) proton



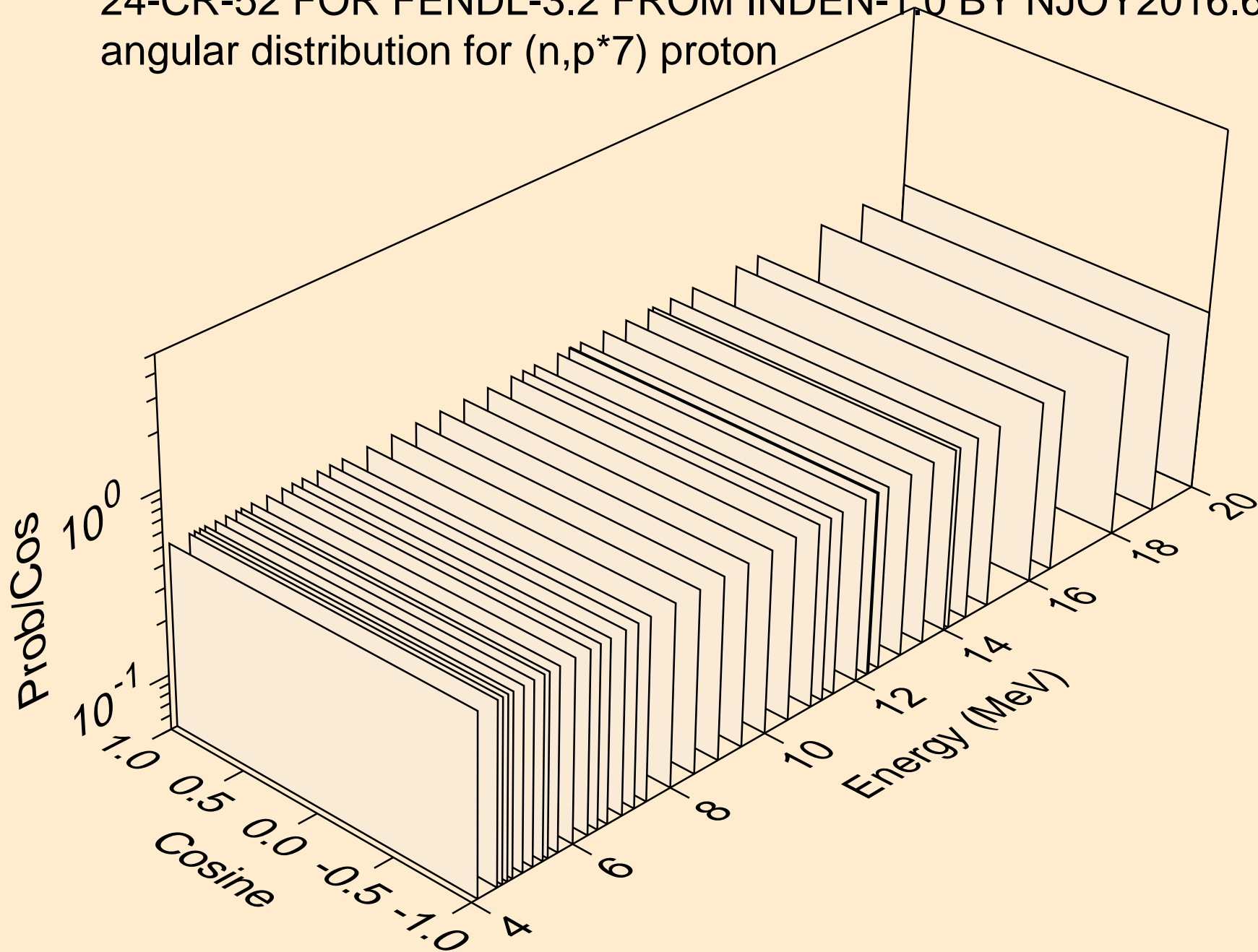
24-CR-52 FOR FENDL-3.2 FROM INDEN-1.0 BY NJOY2016.60+ OI
angular distribution for (n,p*6) proton



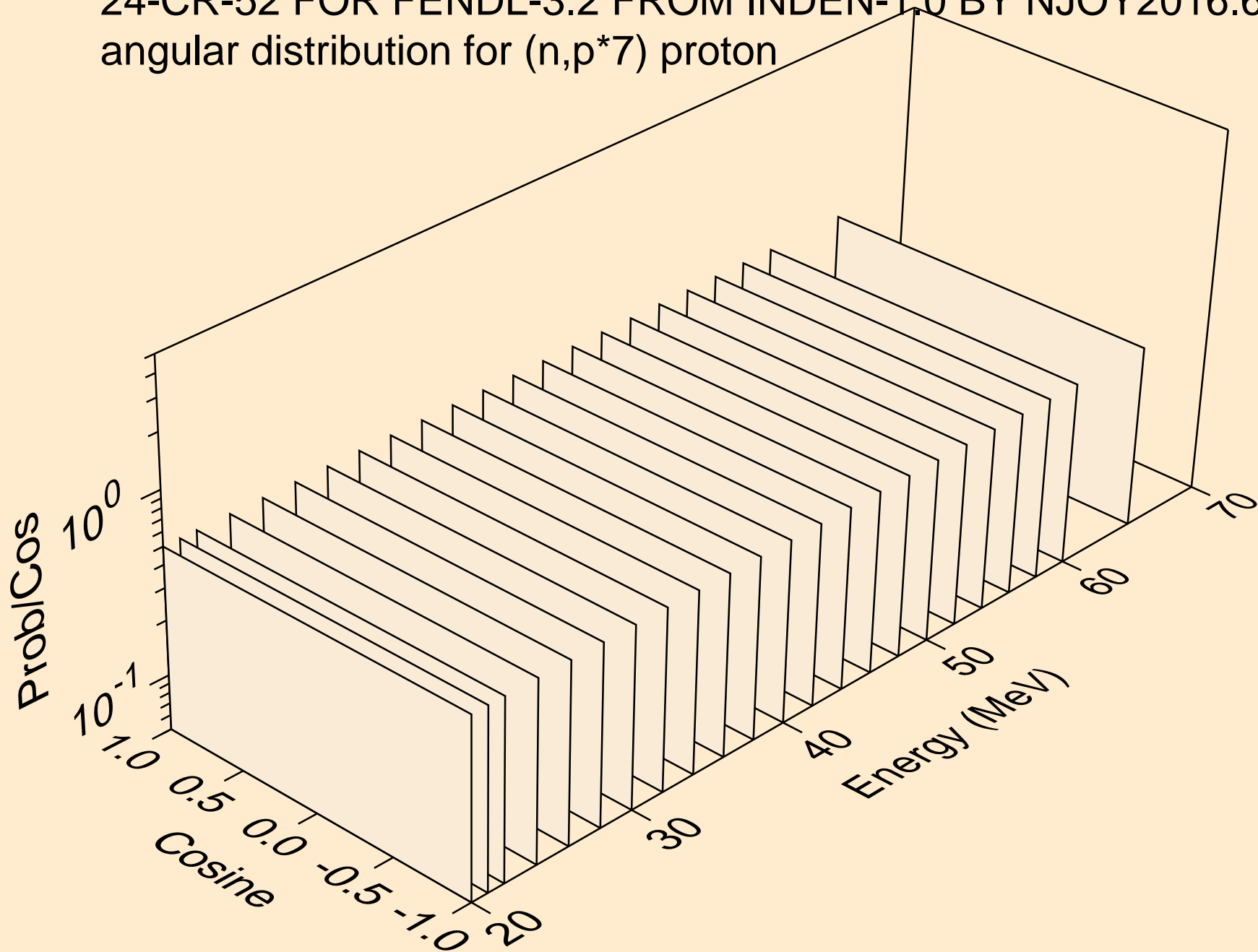
24-CR-52 FOR FENDL-3.2 FROM INDEN-1.0 BY NJOY2016.60+ OI
angular distribution for (n,p*6) proton



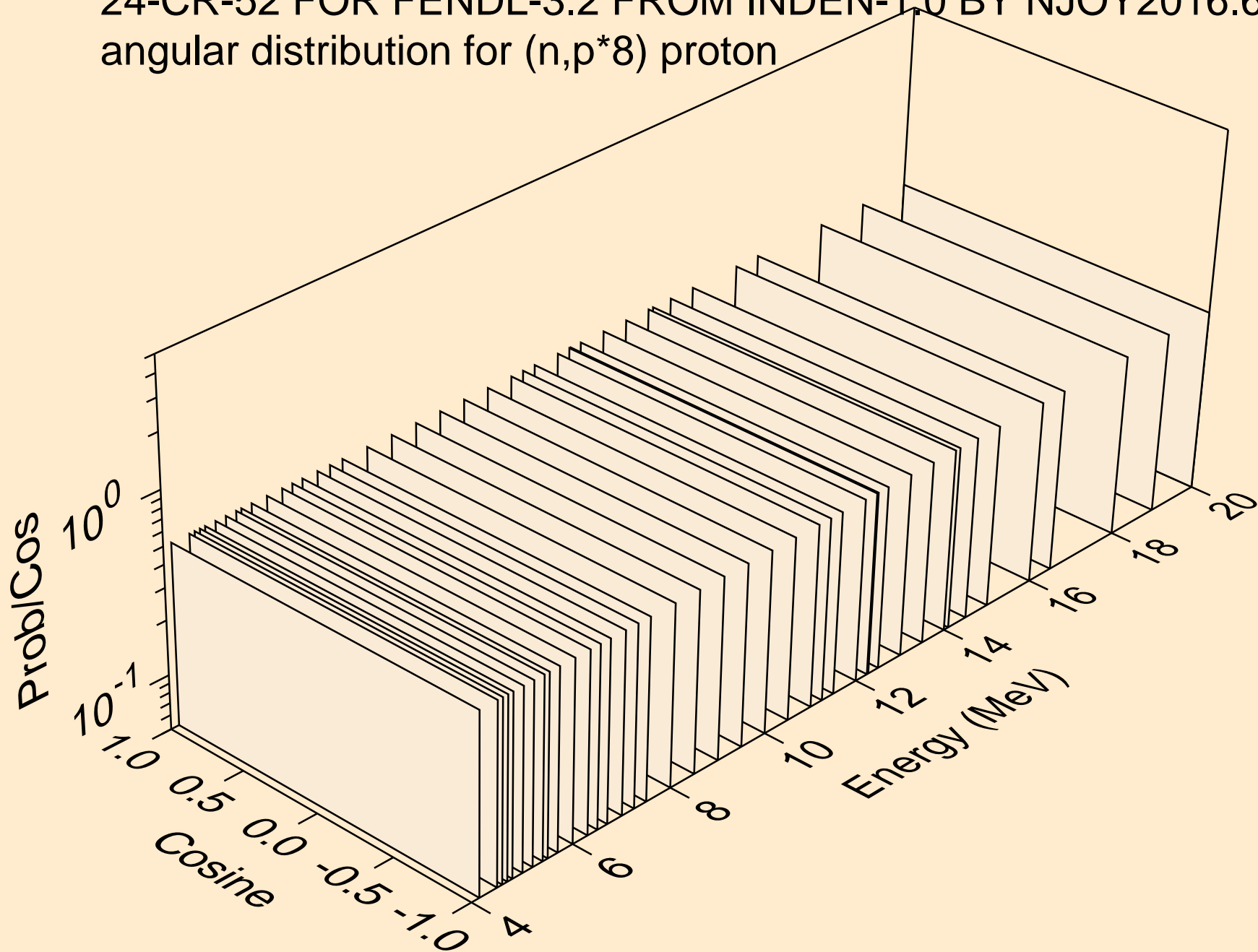
24-CR-52 FOR FENDL-3.2 FROM INDEN-1.0 BY NJOY2016.60+ OI
angular distribution for (n,p*7) proton



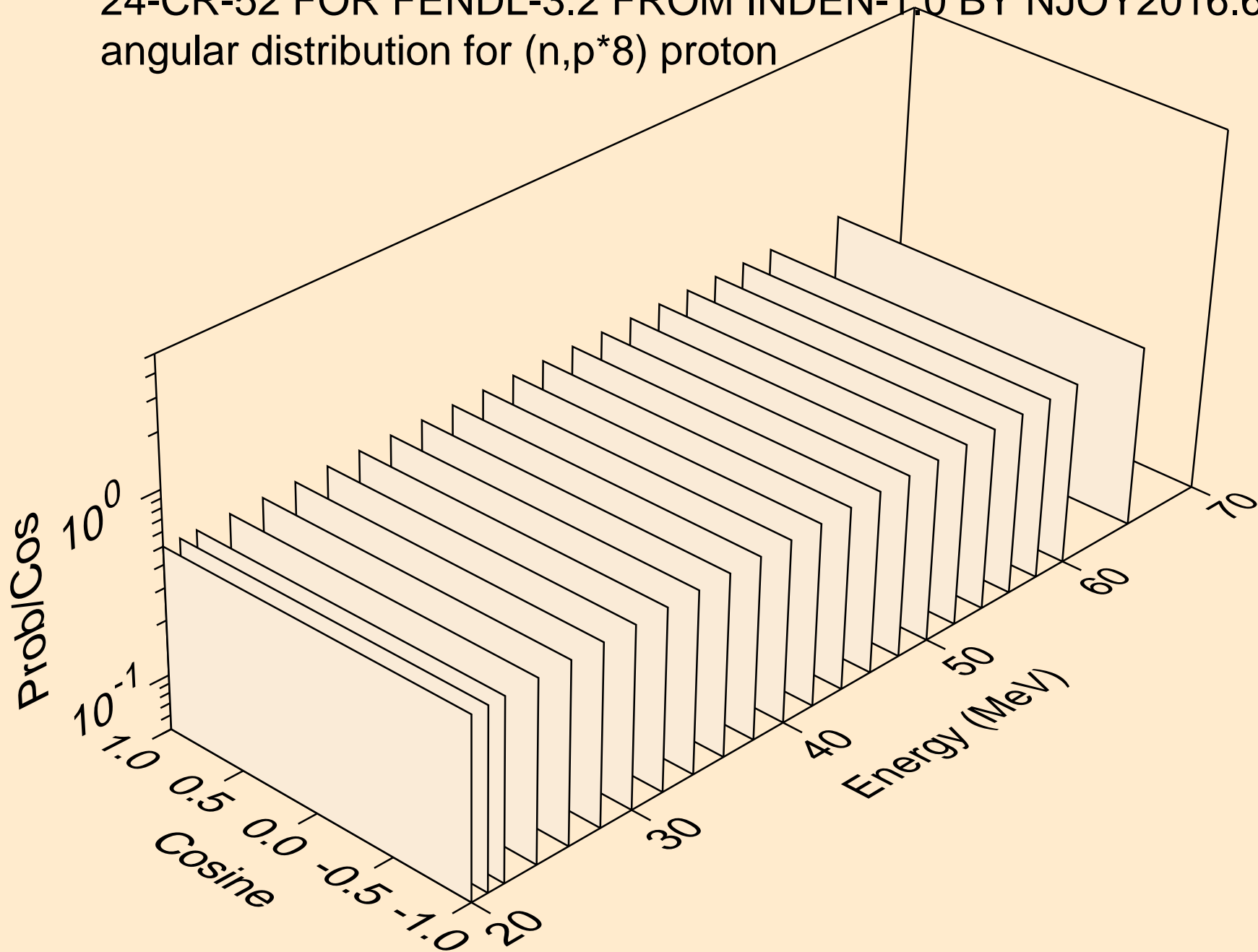
24-CR-52 FOR FENDL-3.2 FROM INDEN-1.0 BY NJOY2016.60+ OI
angular distribution for (n,p*7) proton



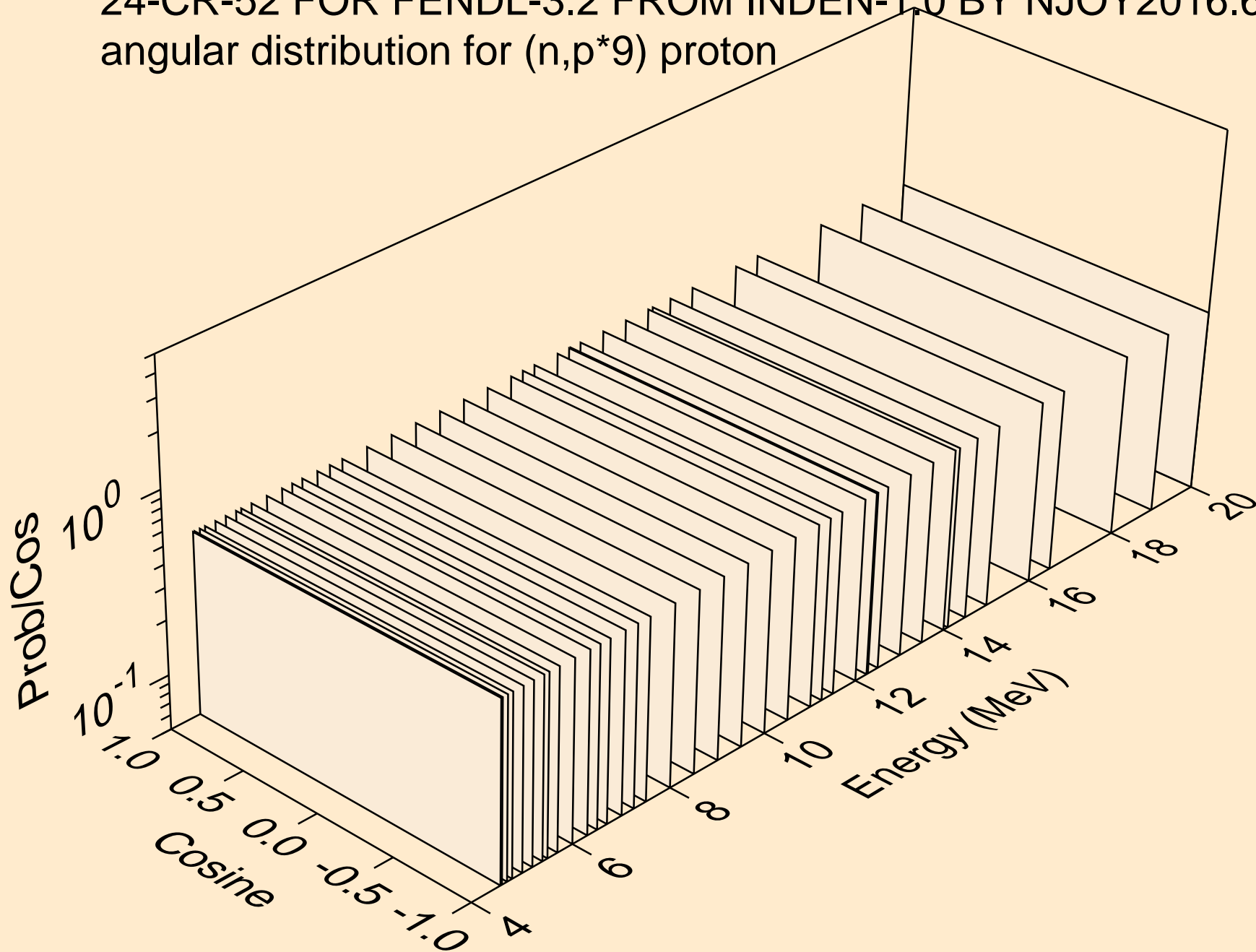
24-CR-52 FOR FENDL-3.2 FROM INDEN-1.0 BY NJOY2016.60+ OI
angular distribution for (n,p*8) proton



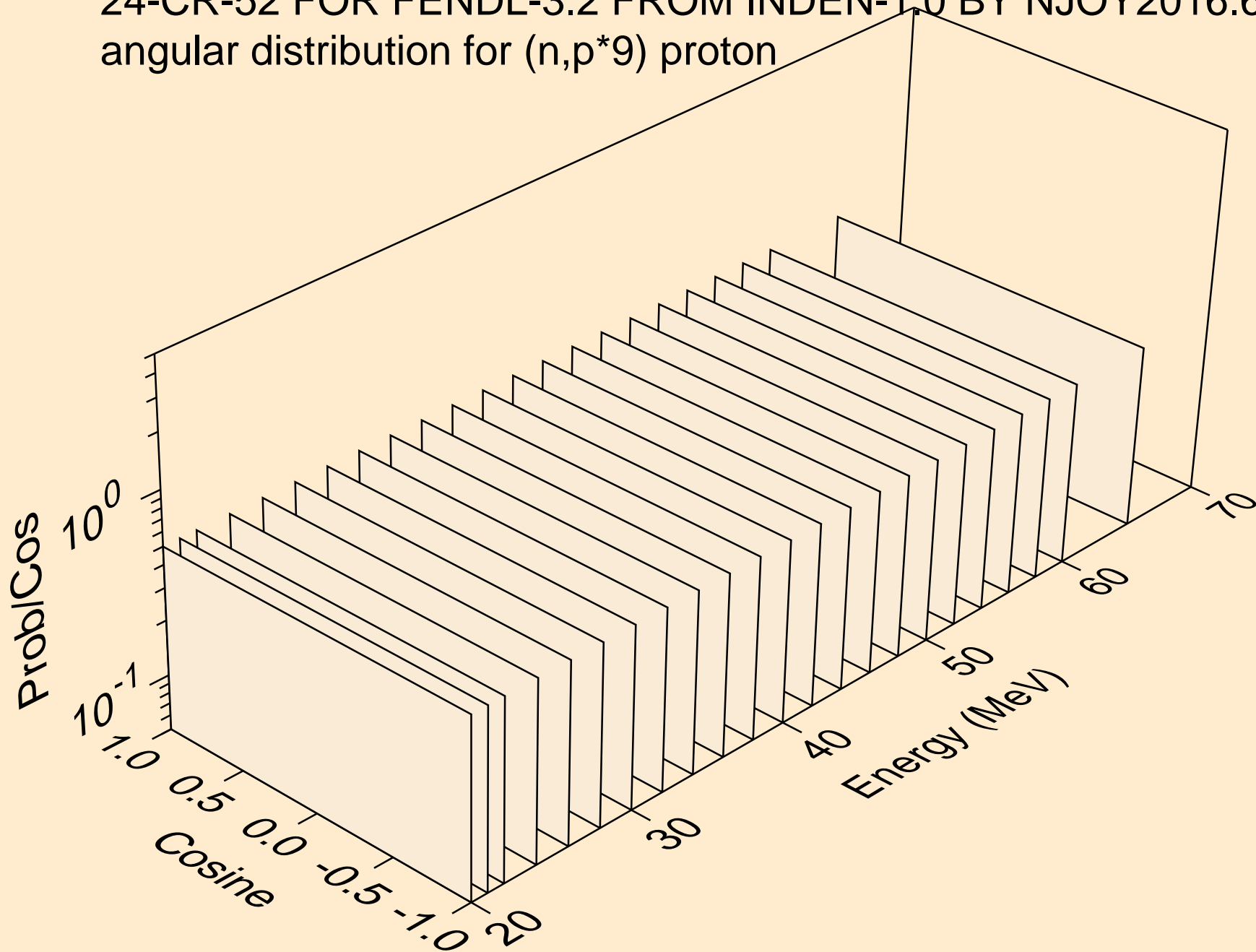
24-CR-52 FOR FENDL-3.2 FROM INDEN-1.0 BY NJOY2016.60+ OI
angular distribution for (n,p*8) proton



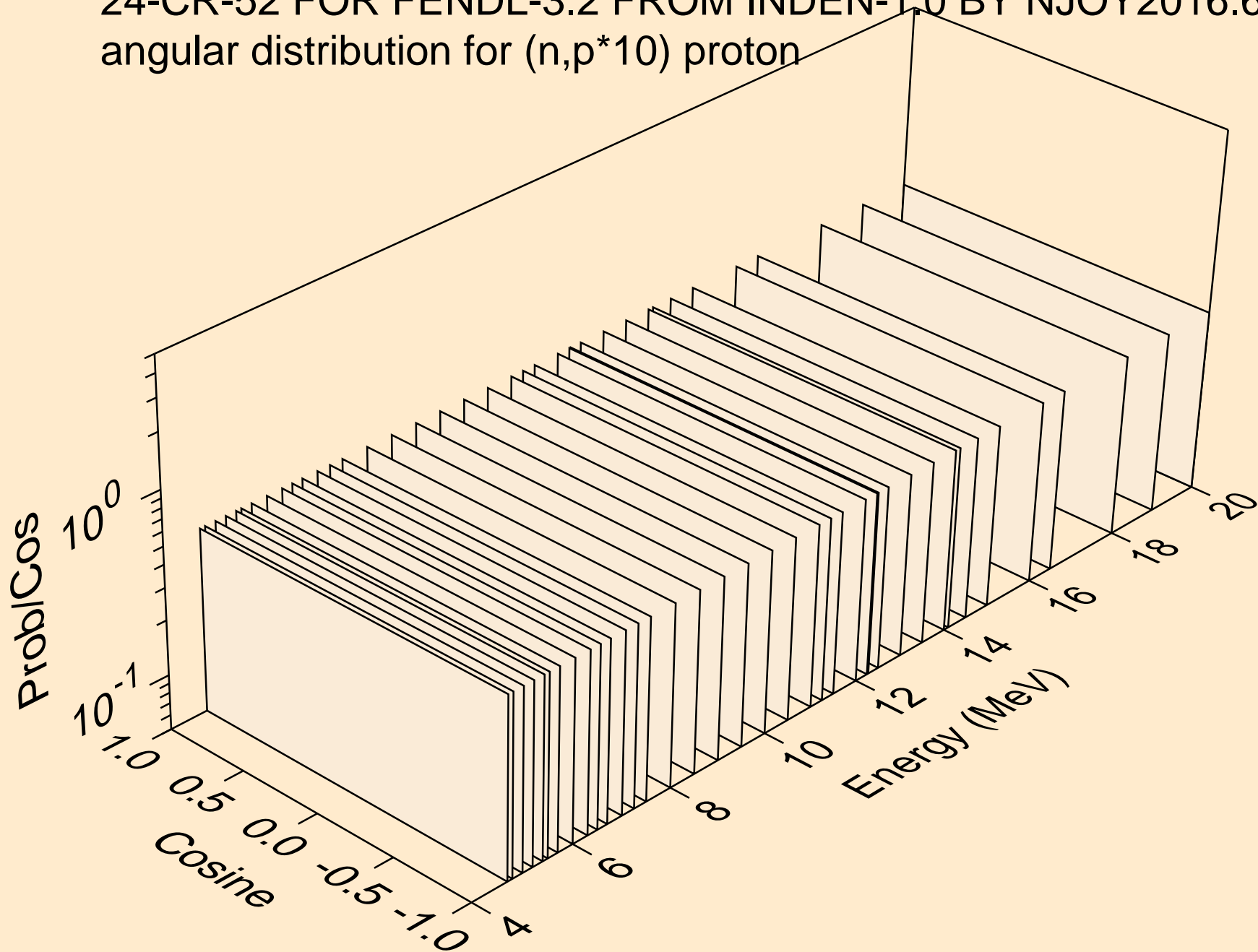
24-CR-52 FOR FENDL-3.2 FROM INDEN-1.0 BY NJOY2016.60+ OI
angular distribution for (n,p*9) proton



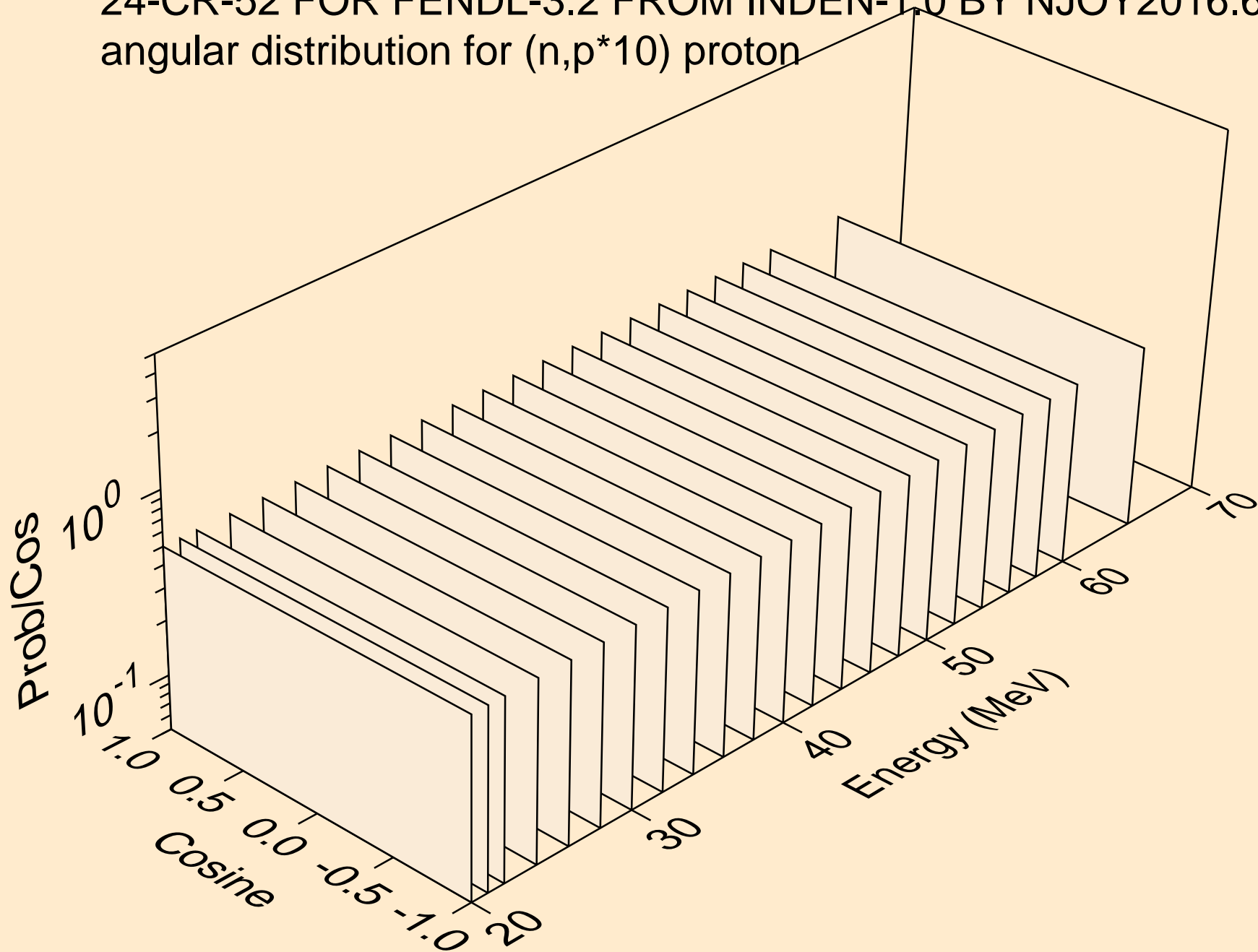
24-CR-52 FOR FENDL-3.2 FROM INDEN-1.0 BY NJOY2016.60+ OI
angular distribution for (n,p*9) proton



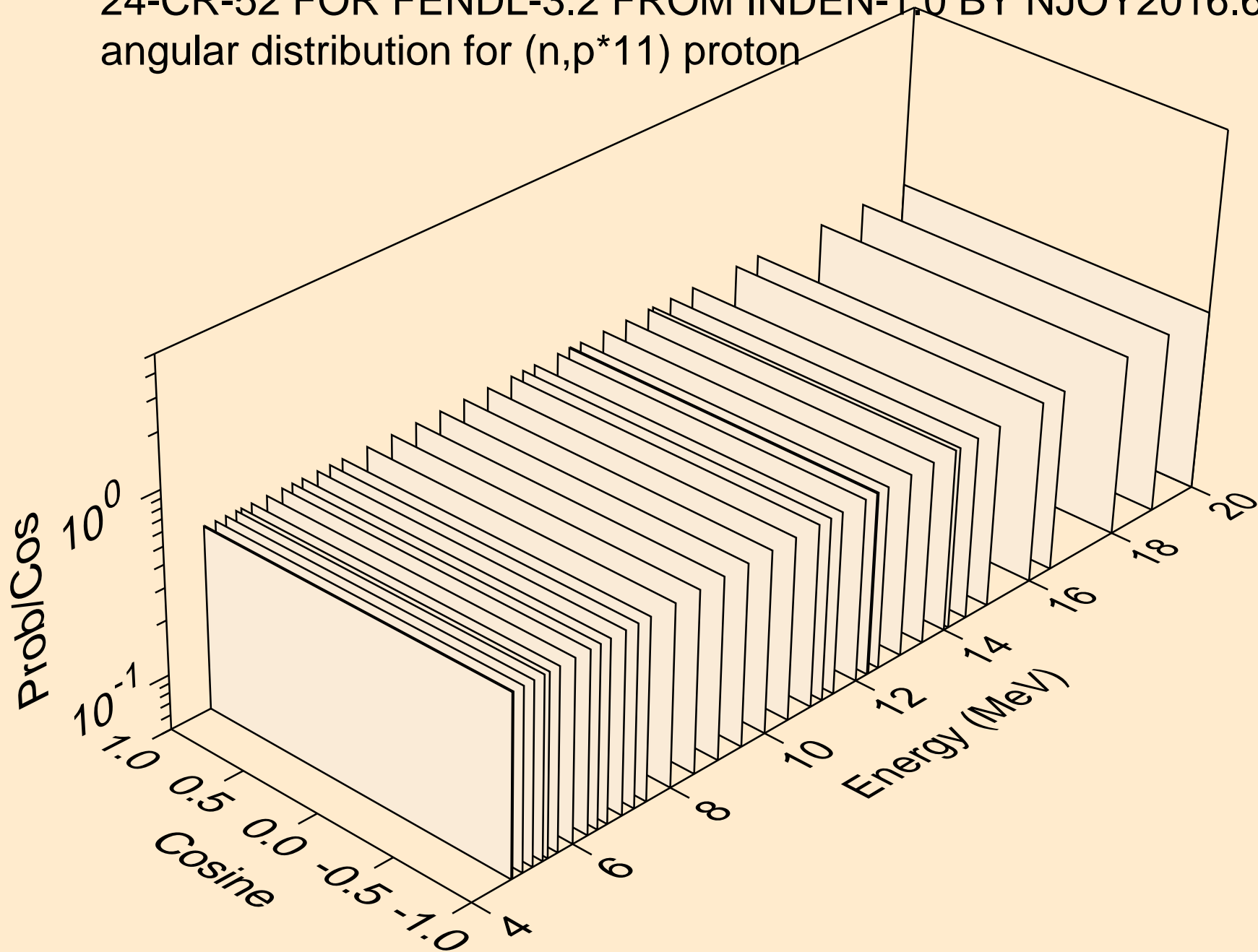
24-CR-52 FOR FENDL-3.2 FROM INDEN-1.0 BY NJOY2016.60+ OI
angular distribution for (n,p*10) proton



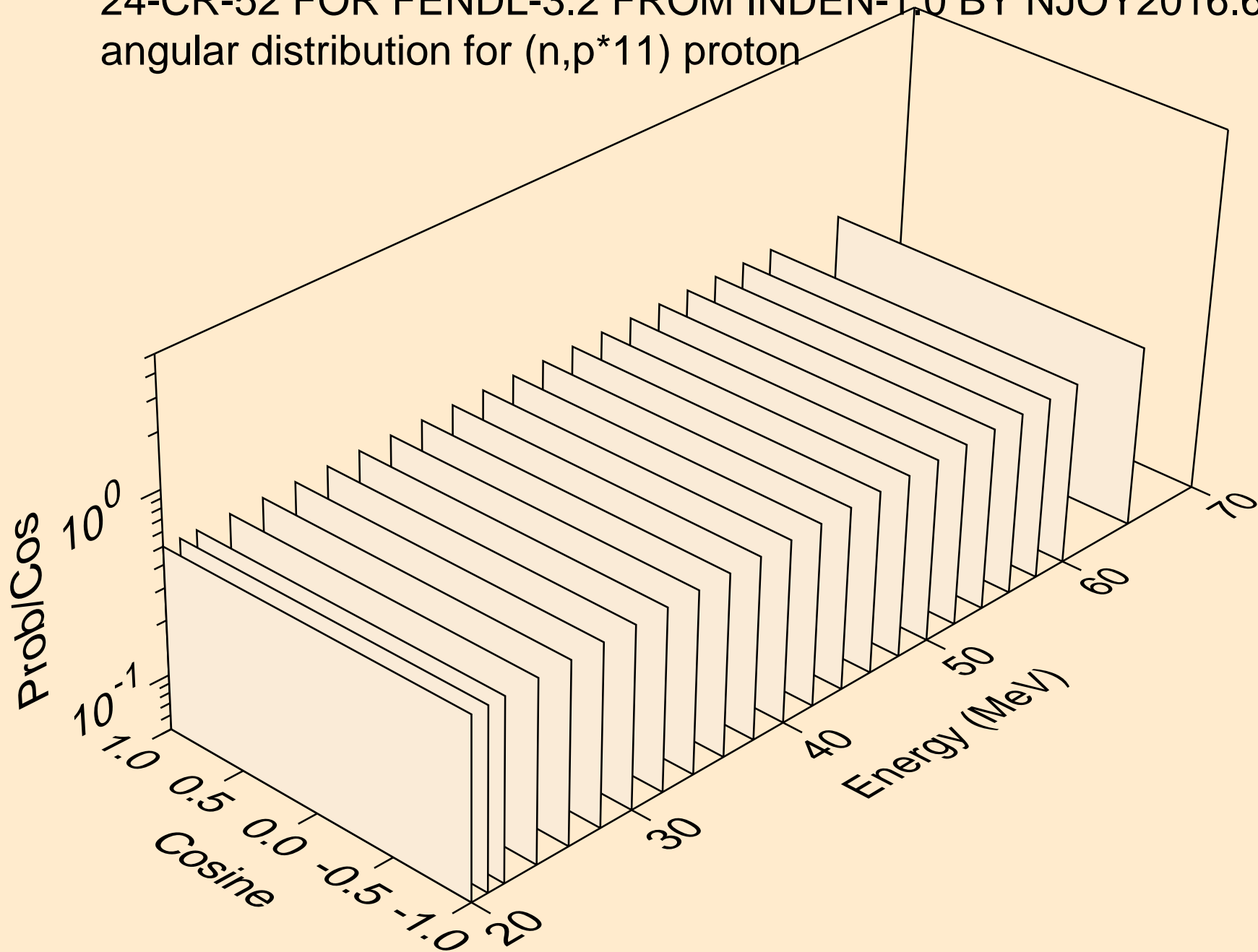
24-CR-52 FOR FENDL-3.2 FROM INDEN-1.0 BY NJOY2016.60+ OI
angular distribution for (n,p*10) proton



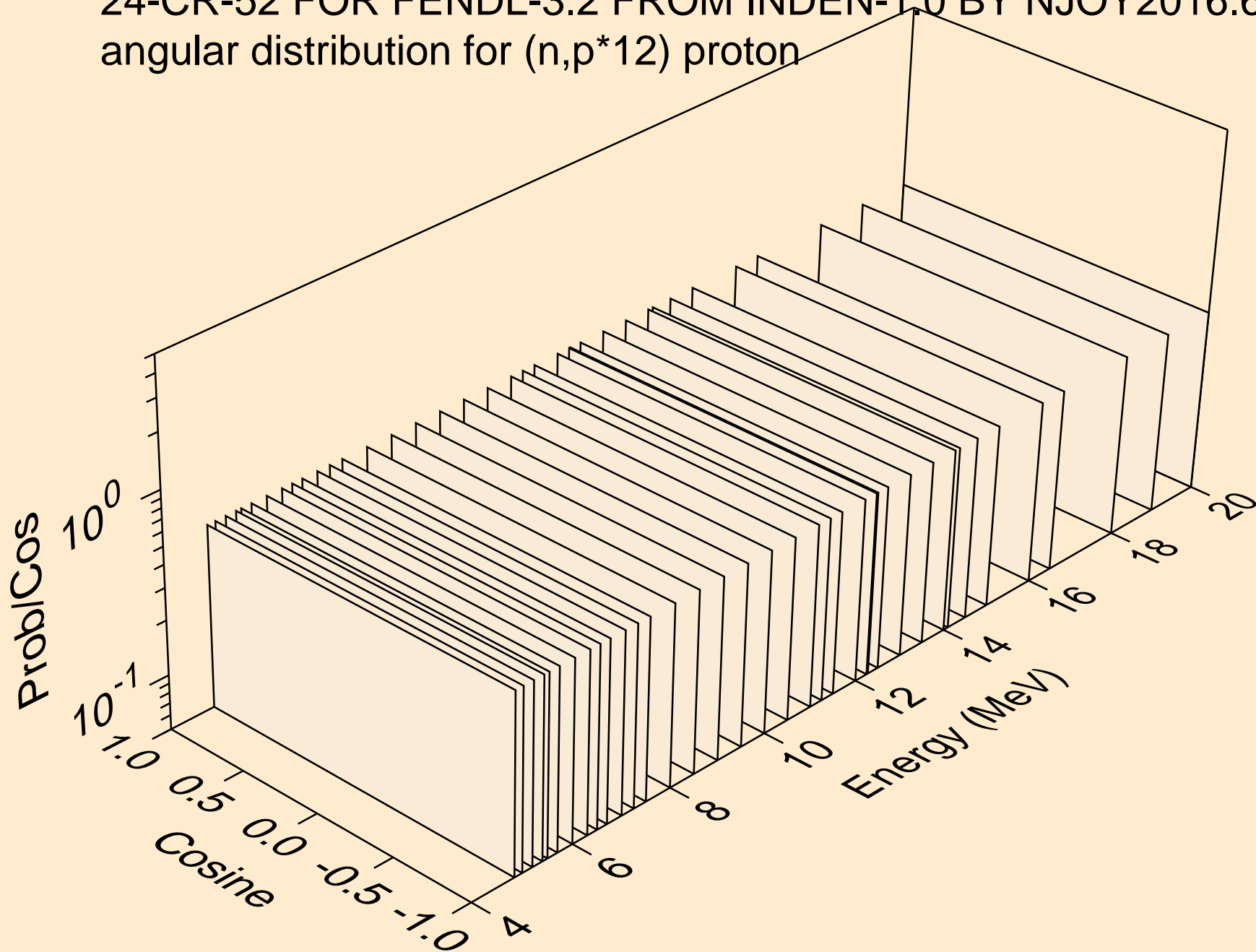
24-CR-52 FOR FENDL-3.2 FROM INDEN-1.0 BY NJOY2016.60+ OI
angular distribution for (n,p*11) proton



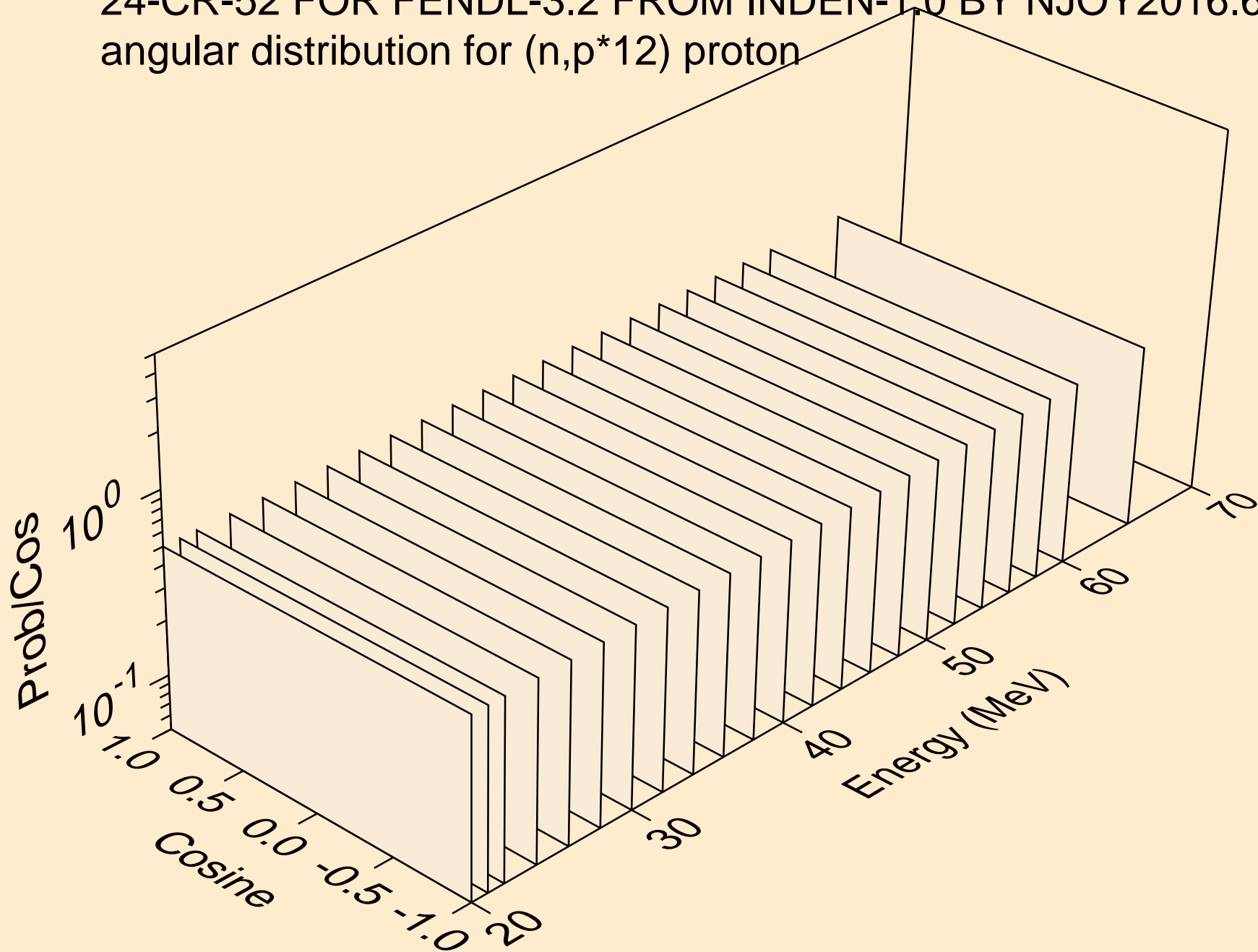
24-CR-52 FOR FENDL-3.2 FROM INDEN-1.0 BY NJOY2016.60+ OI
angular distribution for (n,p*11) proton



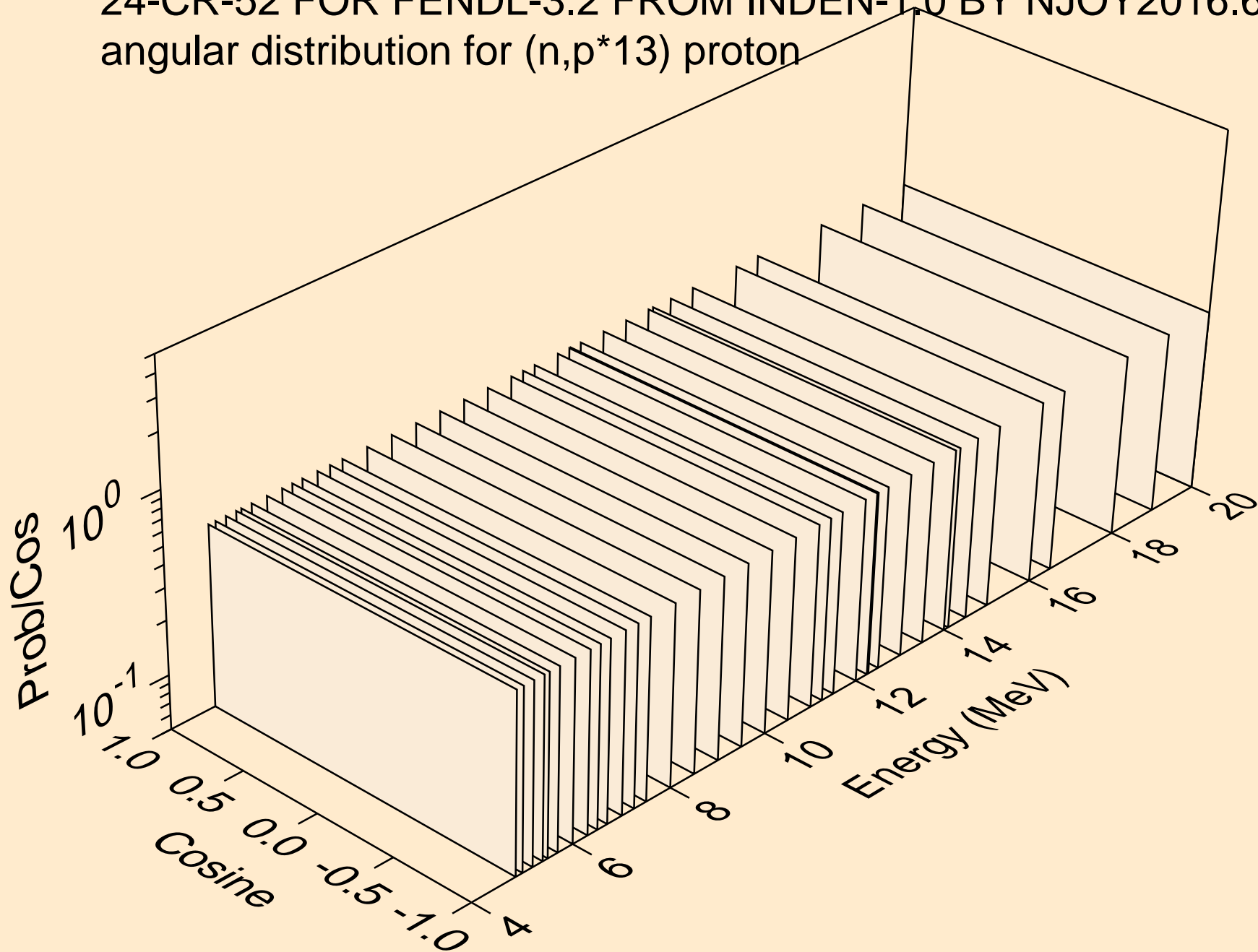
24-CR-52 FOR FENDL-3.2 FROM INDEN-1.0 BY NJOY2016.60+ OI
angular distribution for (n,p*12) proton



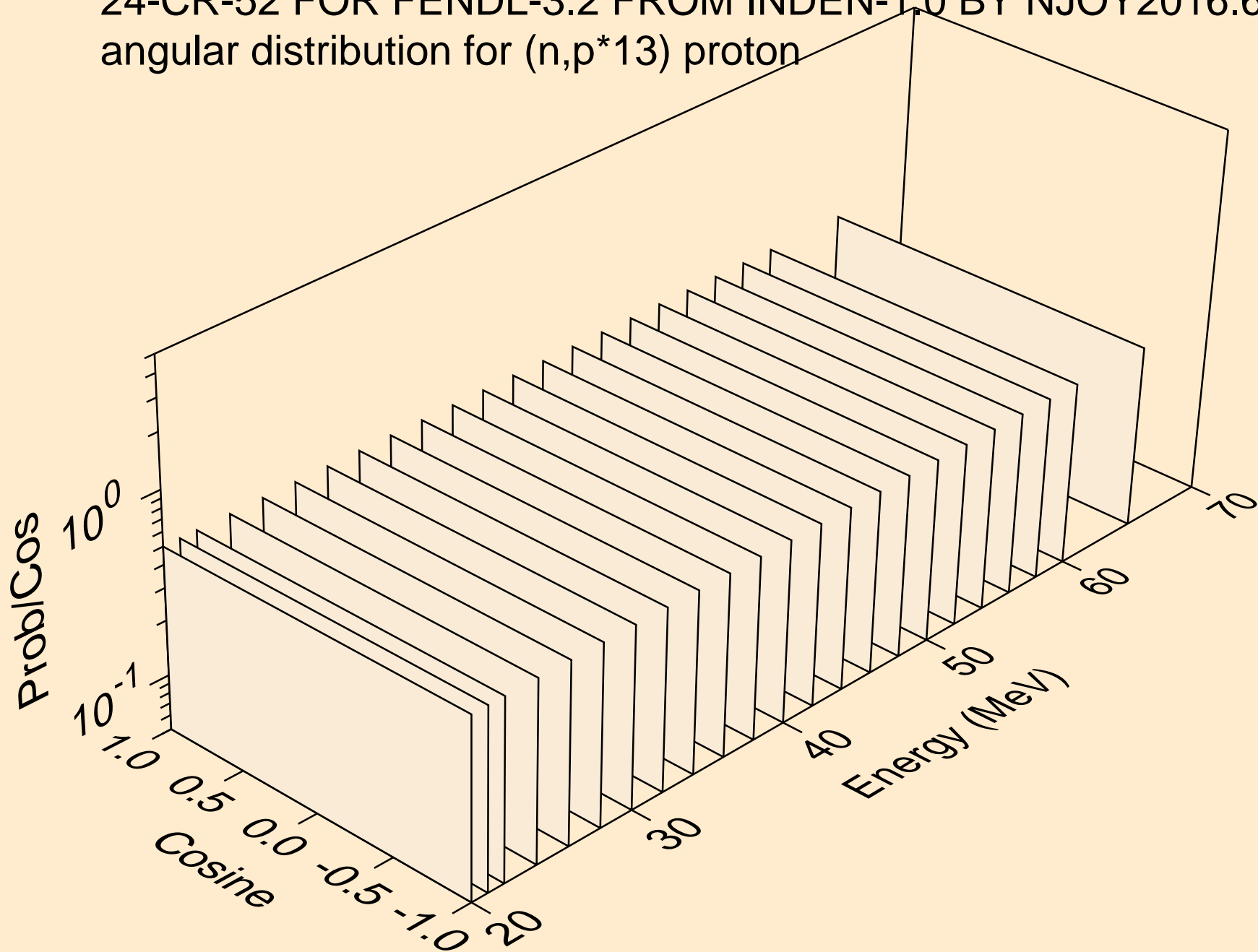
24-CR-52 FOR FENDL-3.2 FROM INDEN-1.0 BY NJOY2016.60+ OI
angular distribution for (n,p*12) proton



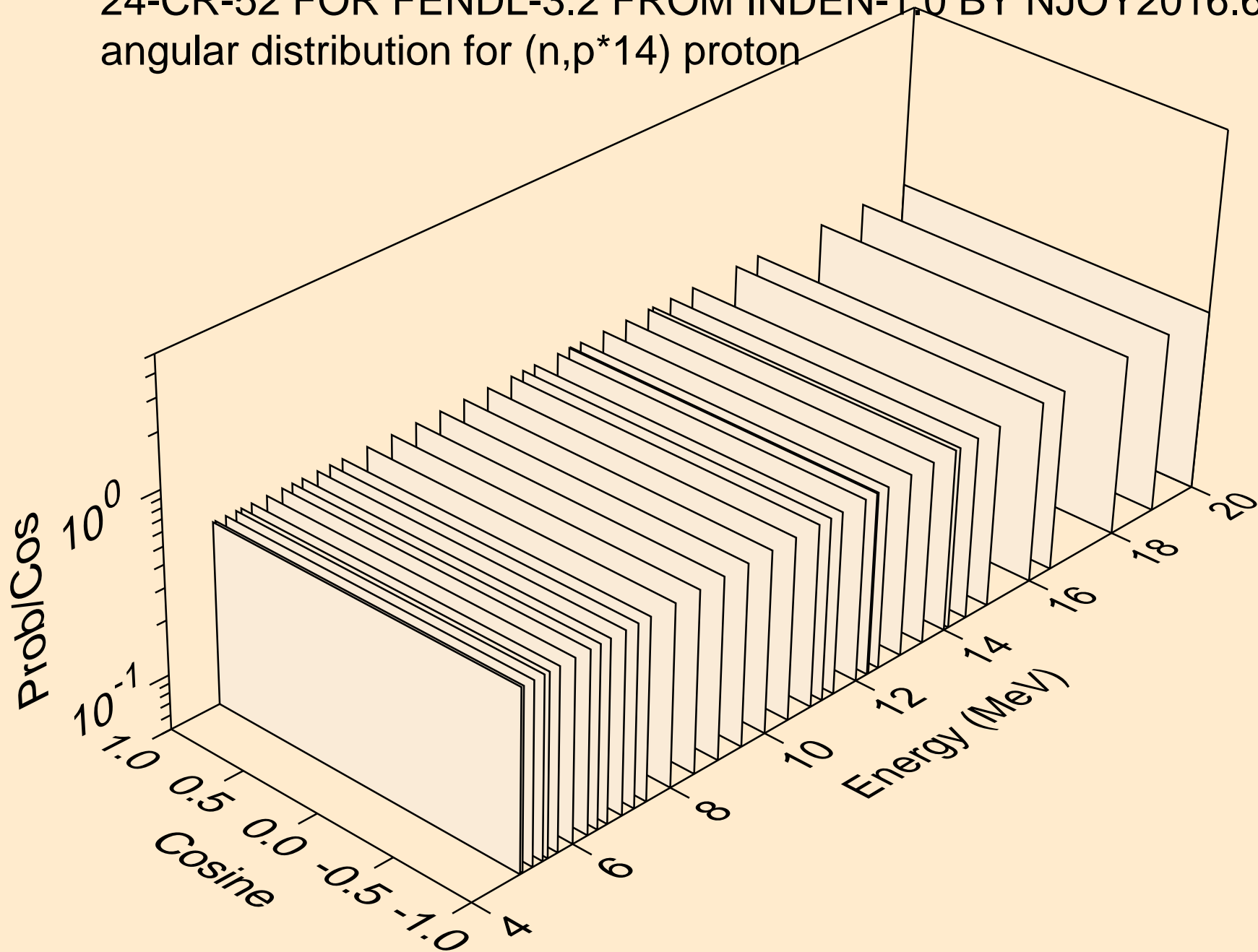
24-CR-52 FOR FENDL-3.2 FROM INDEN-1.0 BY NJOY2016.60+ OI
angular distribution for (n,p*13) proton



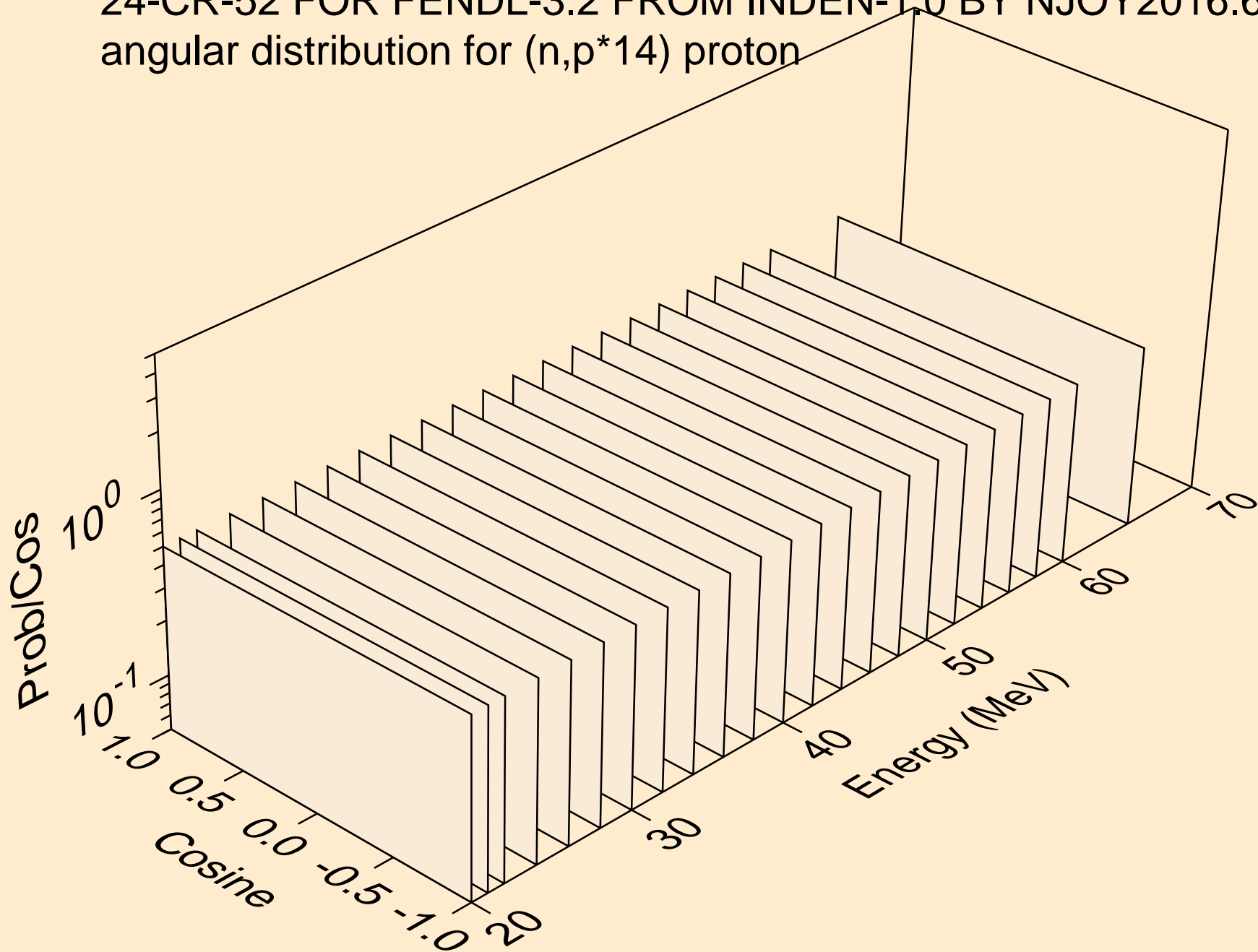
24-CR-52 FOR FENDL-3.2 FROM INDEN-1.0 BY NJOY2016.60+ OI
angular distribution for (n,p*13) proton



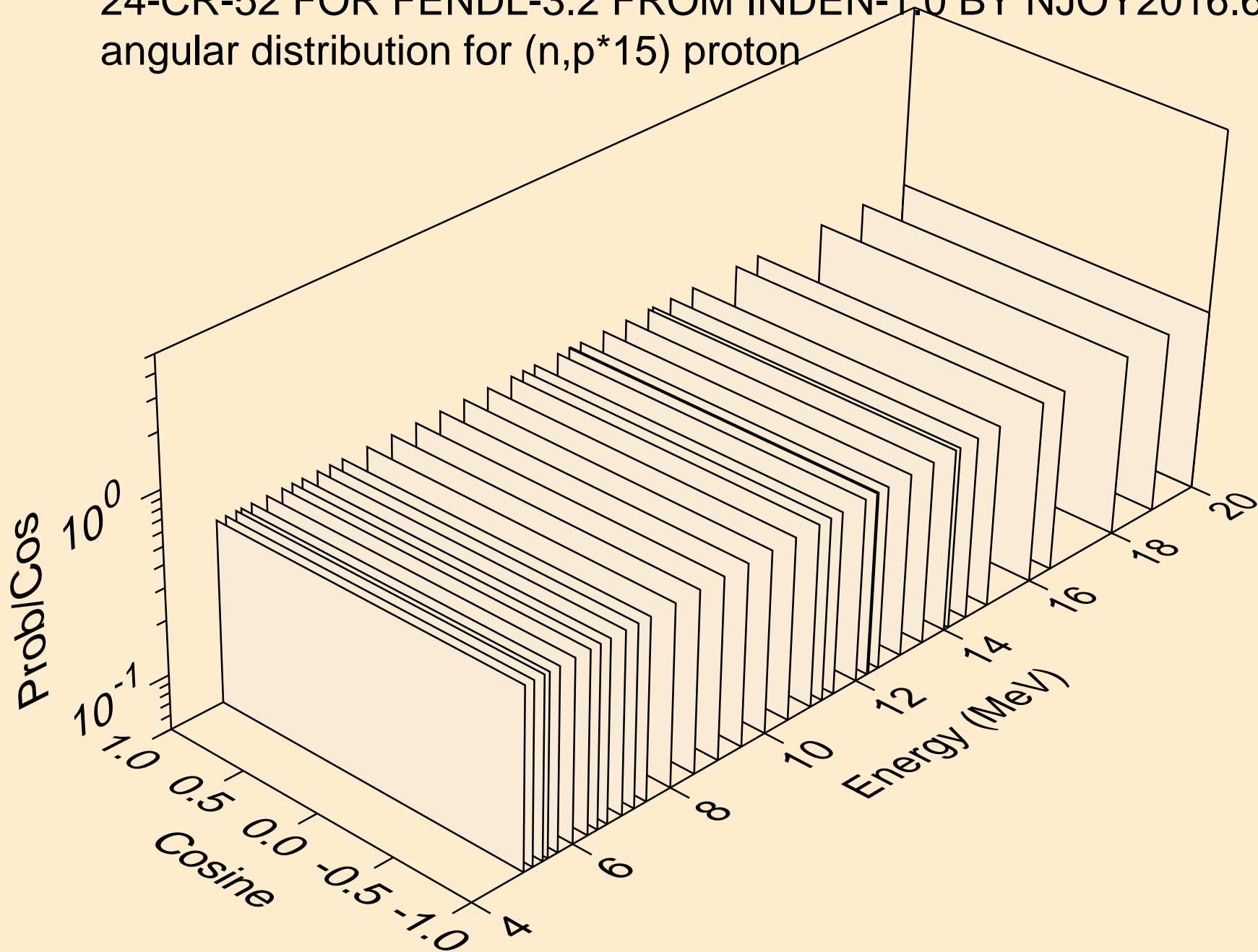
24-CR-52 FOR FENDL-3.2 FROM INDEN-1.0 BY NJOY2016.60+ OI
angular distribution for (n,p*14) proton



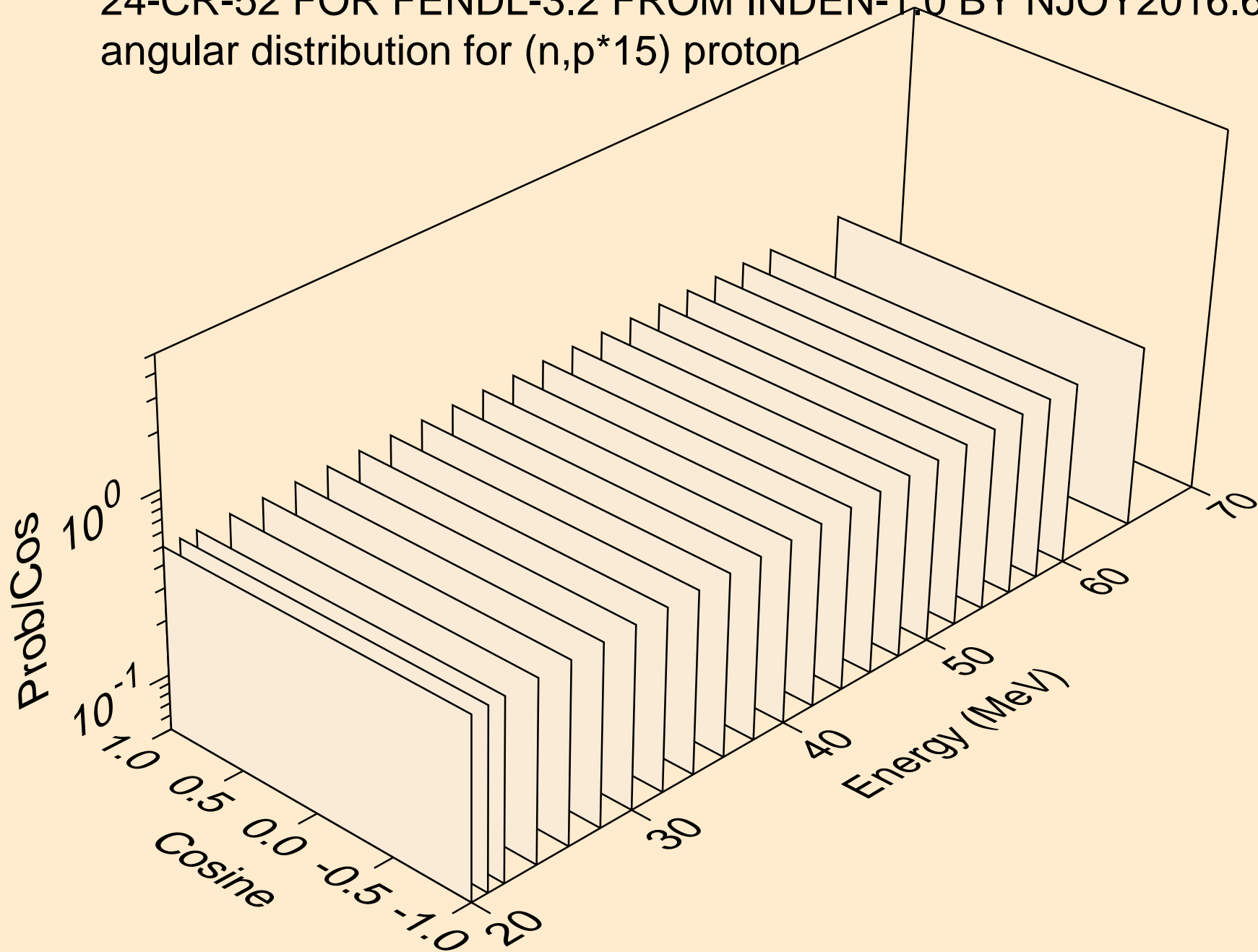
24-CR-52 FOR FENDL-3.2 FROM INDEN-1.0 BY NJOY2016.60+ OI
angular distribution for (n,p*14) proton



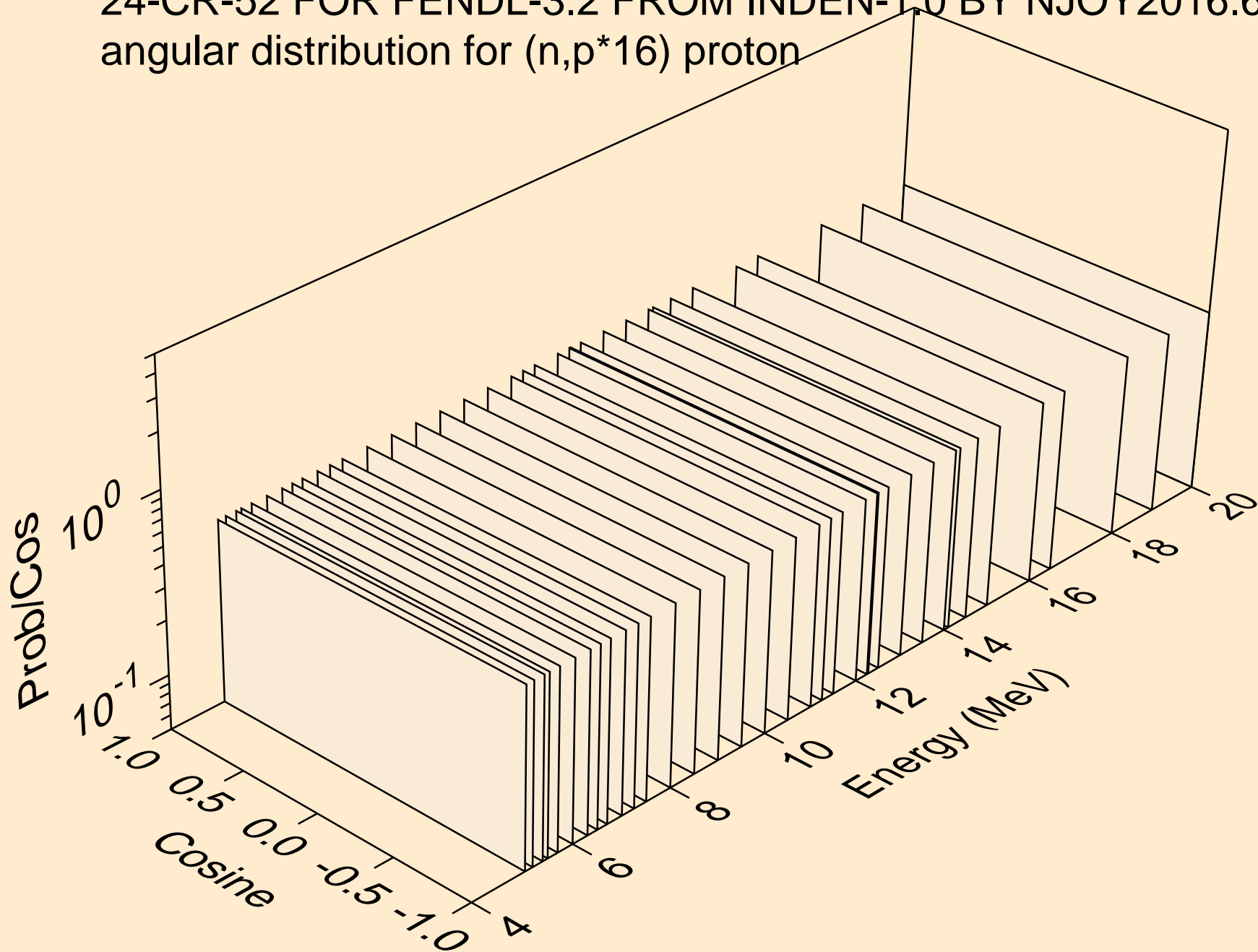
24-CR-52 FOR FENDL-3.2 FROM INDEN-1.0 BY NJOY2016.60+ OI
angular distribution for (n,p*15) proton



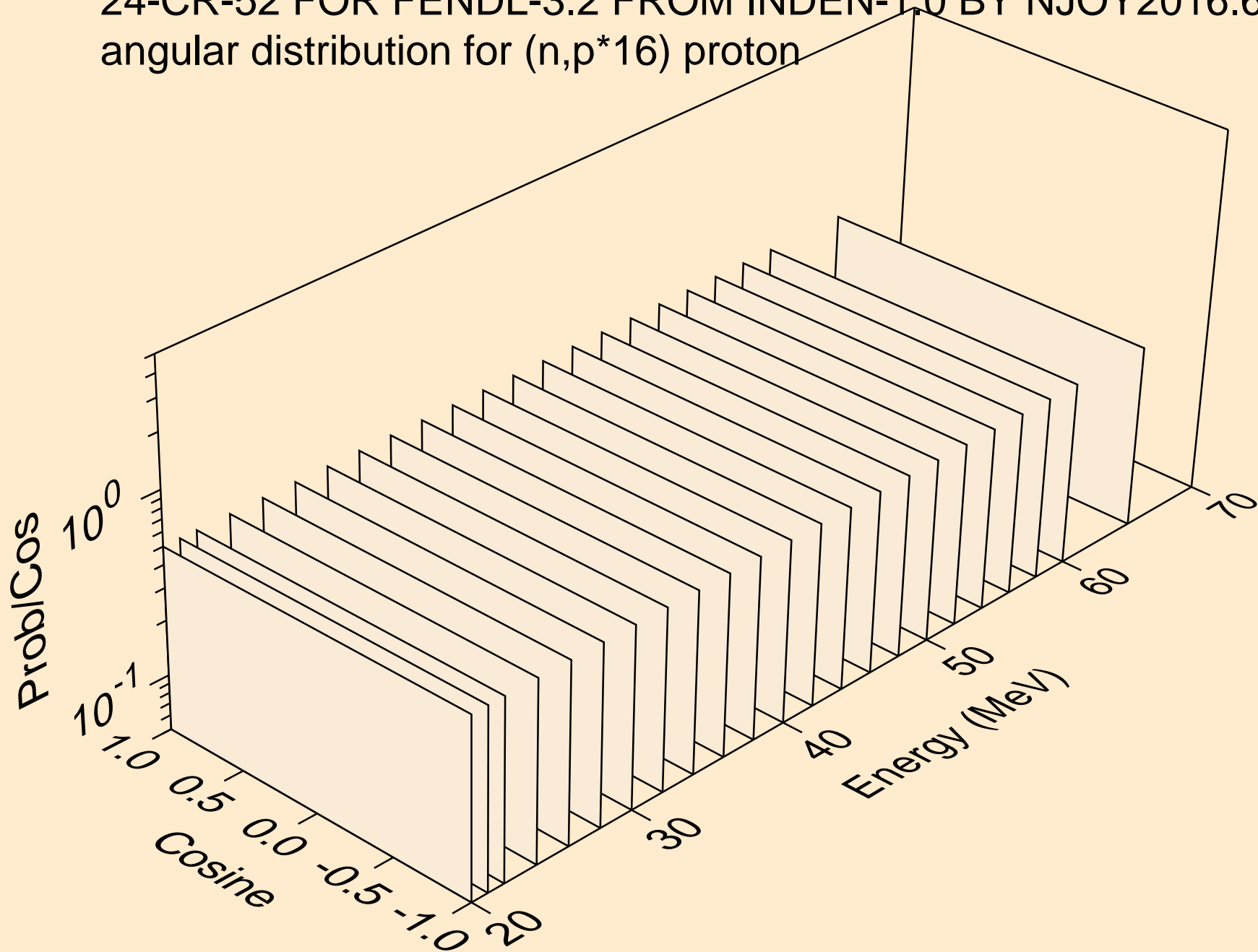
24-CR-52 FOR FENDL-3.2 FROM INDEN-1.0 BY NJOY2016.60+ OI
angular distribution for (n,p*15) proton



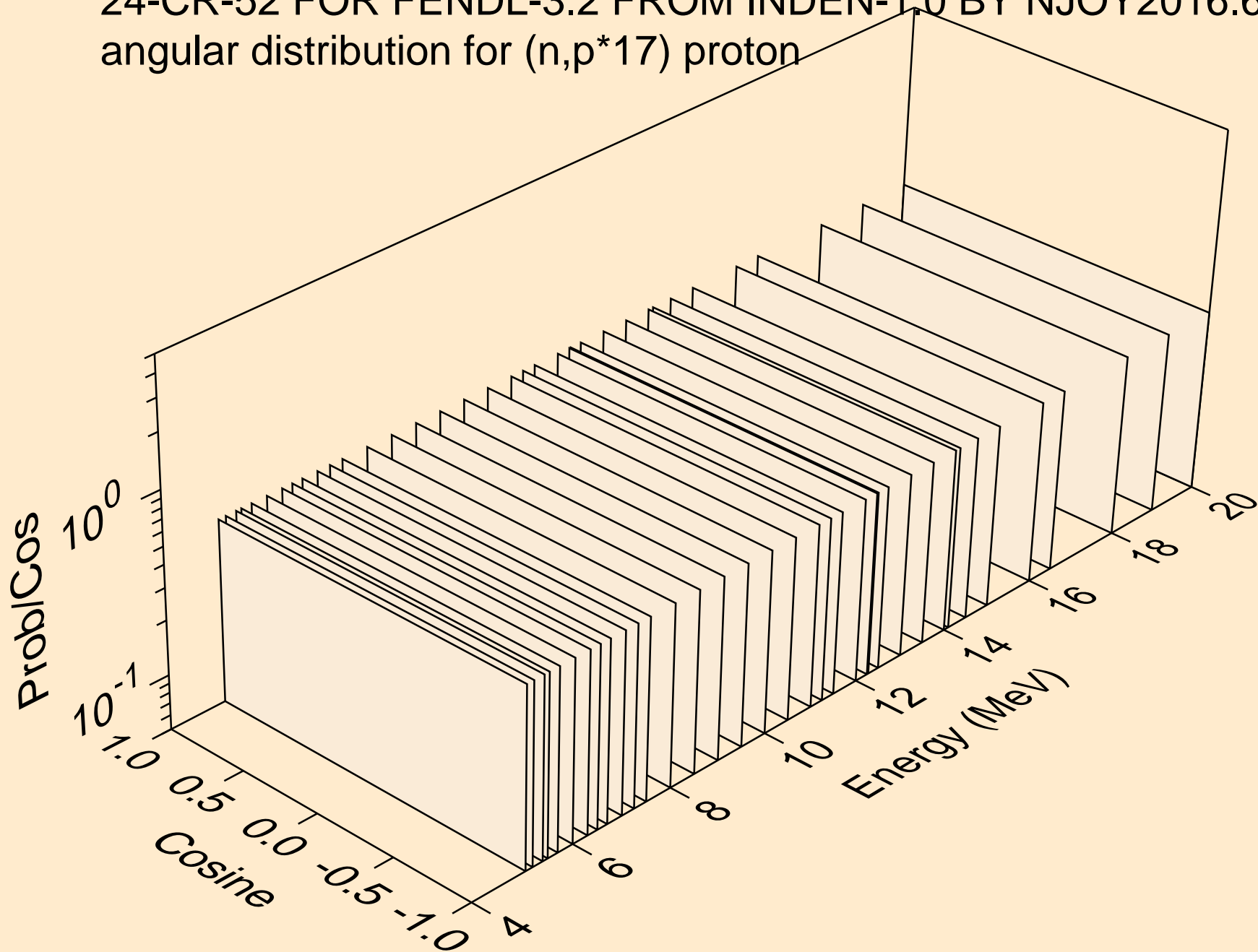
24-CR-52 FOR FENDL-3.2 FROM INDEN-1.0 BY NJOY2016.60+ OI
angular distribution for (n,p*16) proton



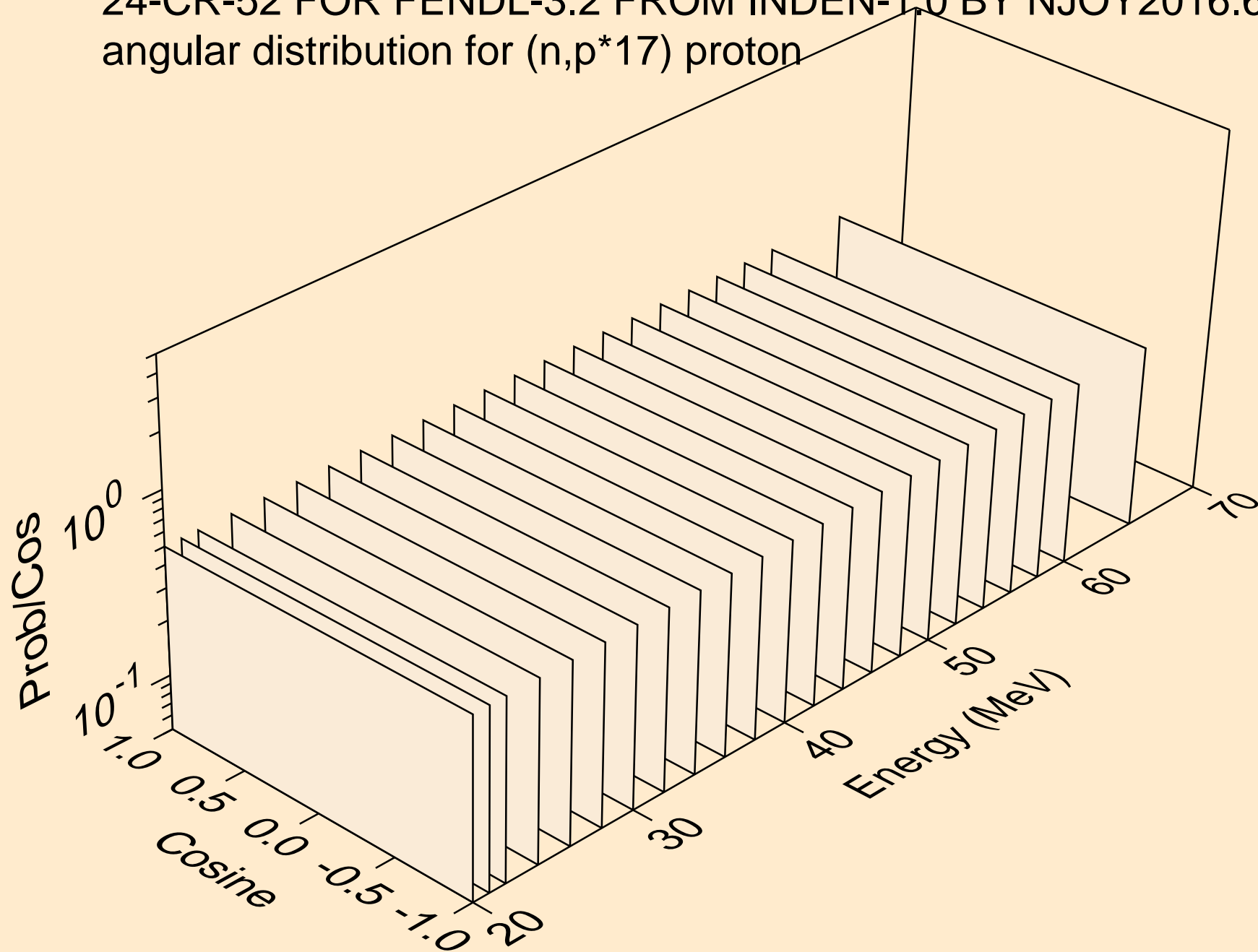
24-CR-52 FOR FENDL-3.2 FROM INDEN-1.0 BY NJOY2016.60+ OI
angular distribution for (n,p*16) proton



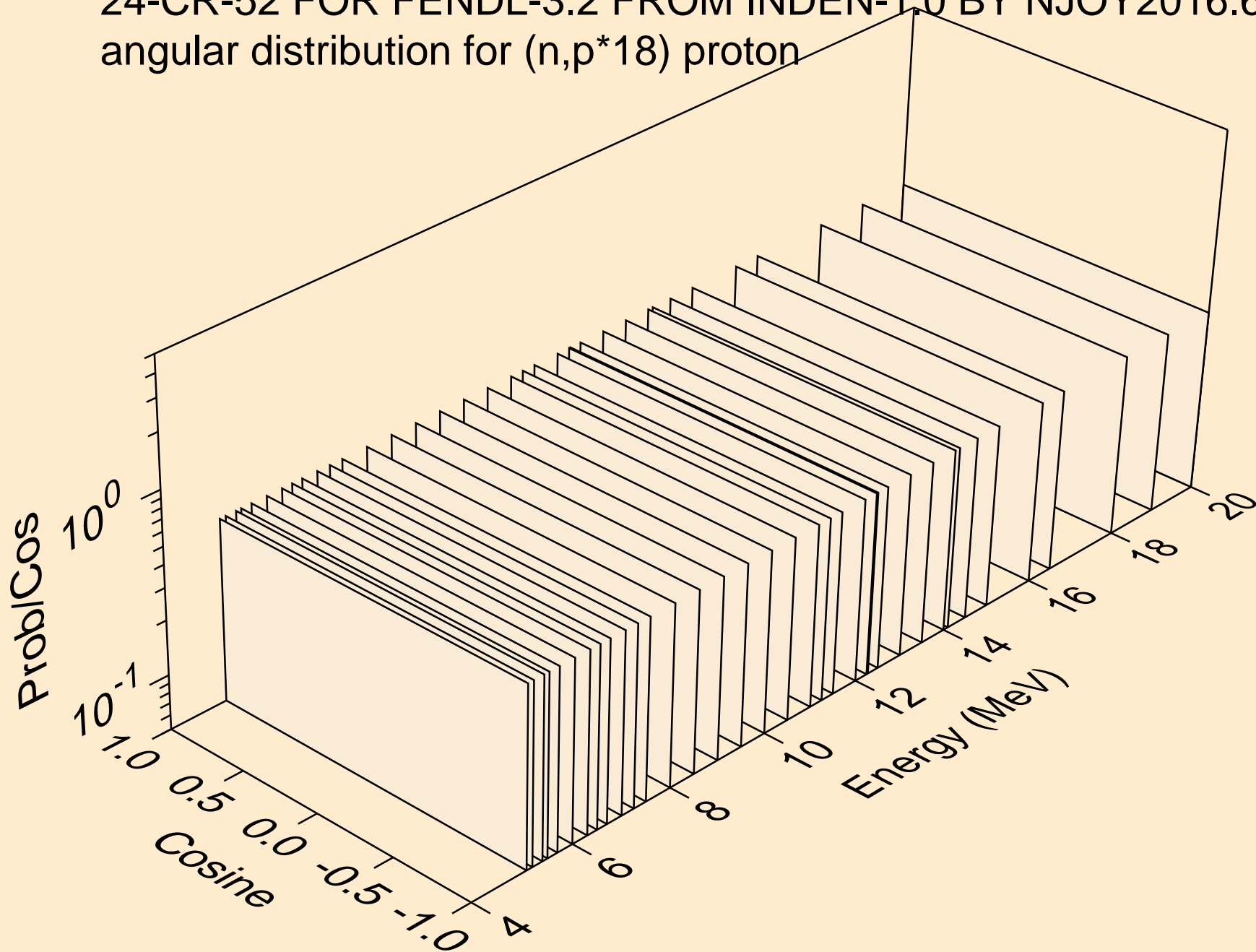
24-CR-52 FOR FENDL-3.2 FROM INDEN-1.0 BY NJOY2016.60+ OI
angular distribution for (n,p*17) proton



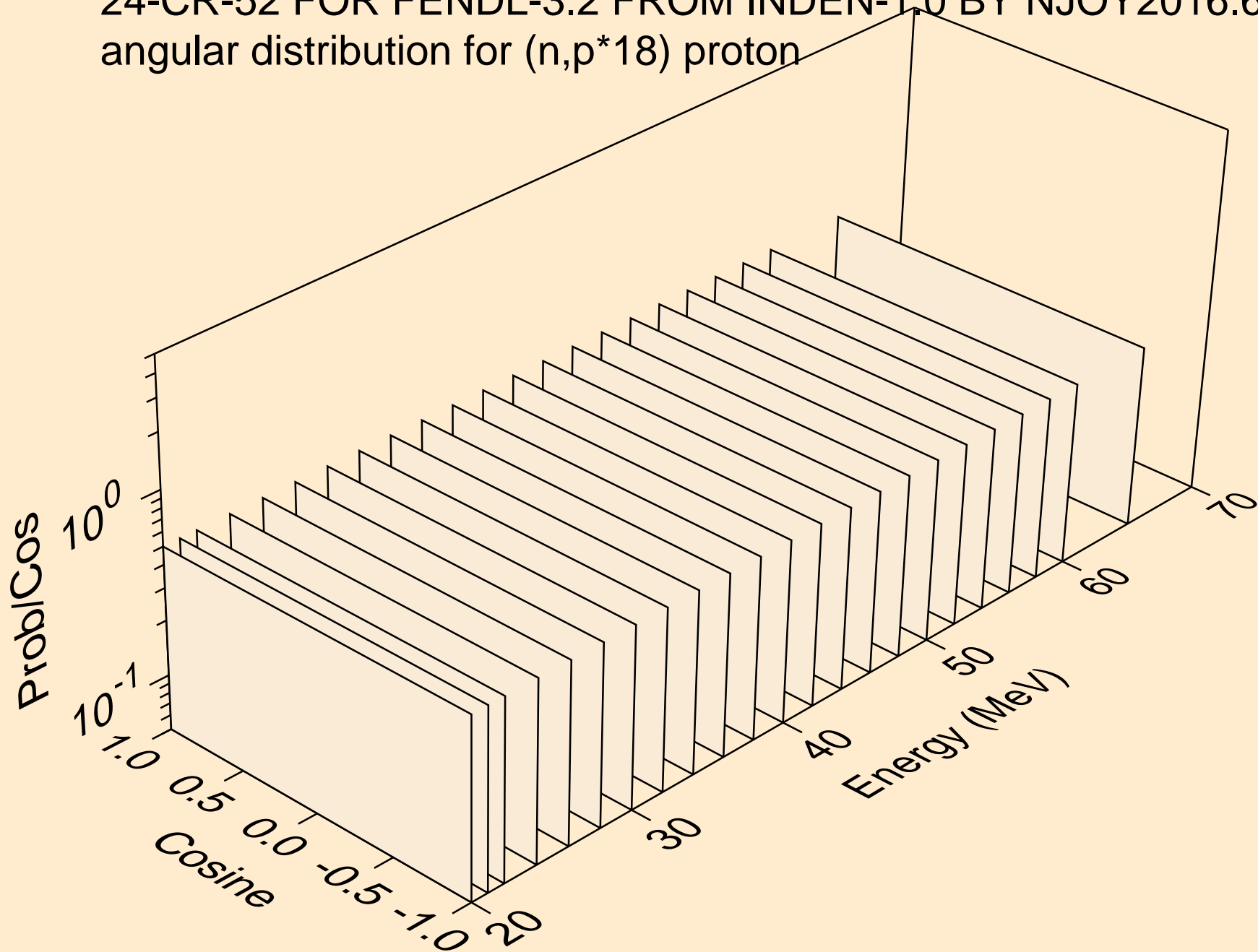
24-CR-52 FOR FENDL-3.2 FROM INDEN-1.0 BY NJOY2016.60+ OI
angular distribution for (n,p*17) proton



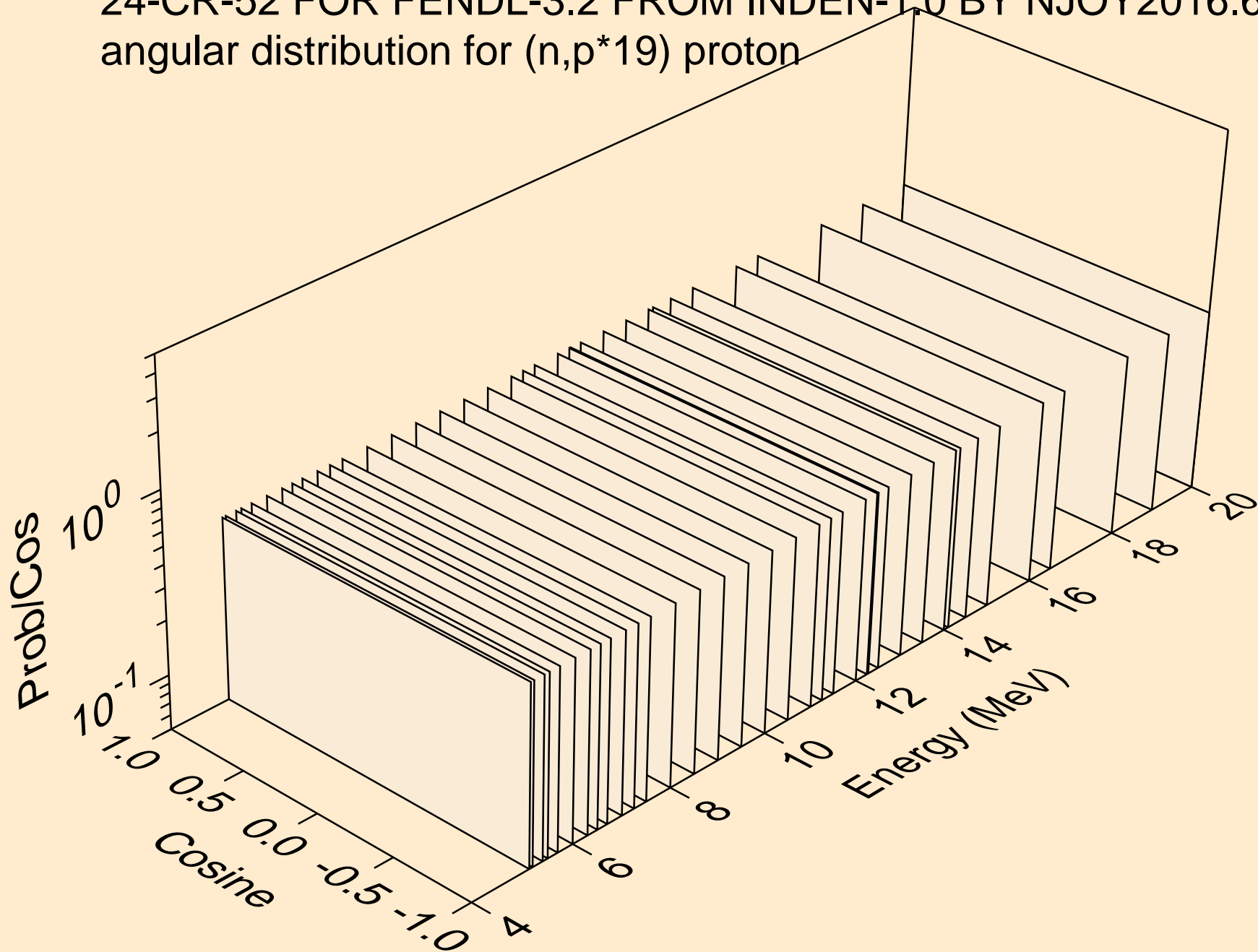
24-CR-52 FOR FENDL-3.2 FROM INDEN-1.0 BY NJOY2016.60+ OI
angular distribution for (n,p*18) proton



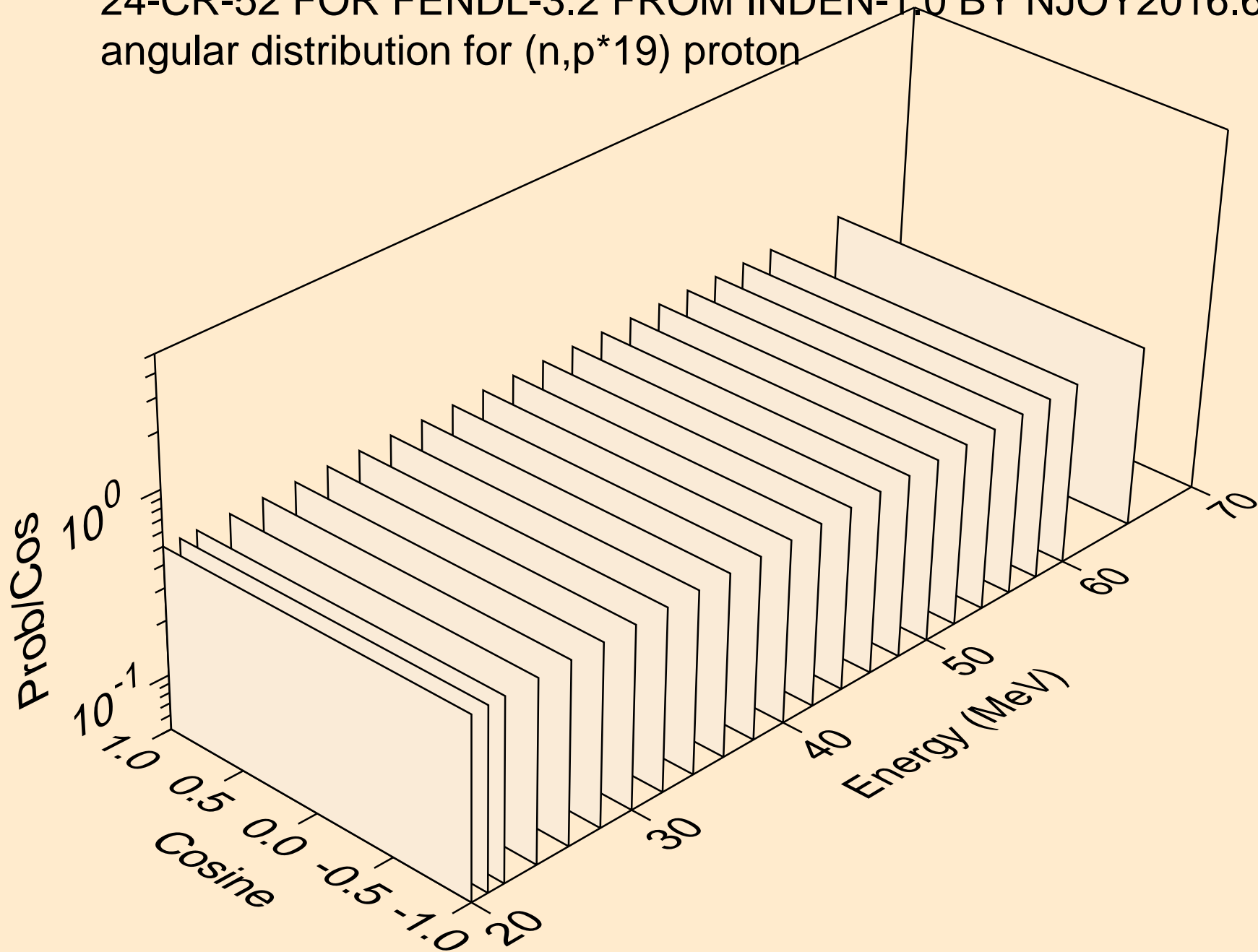
24-CR-52 FOR FENDL-3.2 FROM INDEN-1.0 BY NJOY2016.60+ OI
angular distribution for (n,p*18) proton



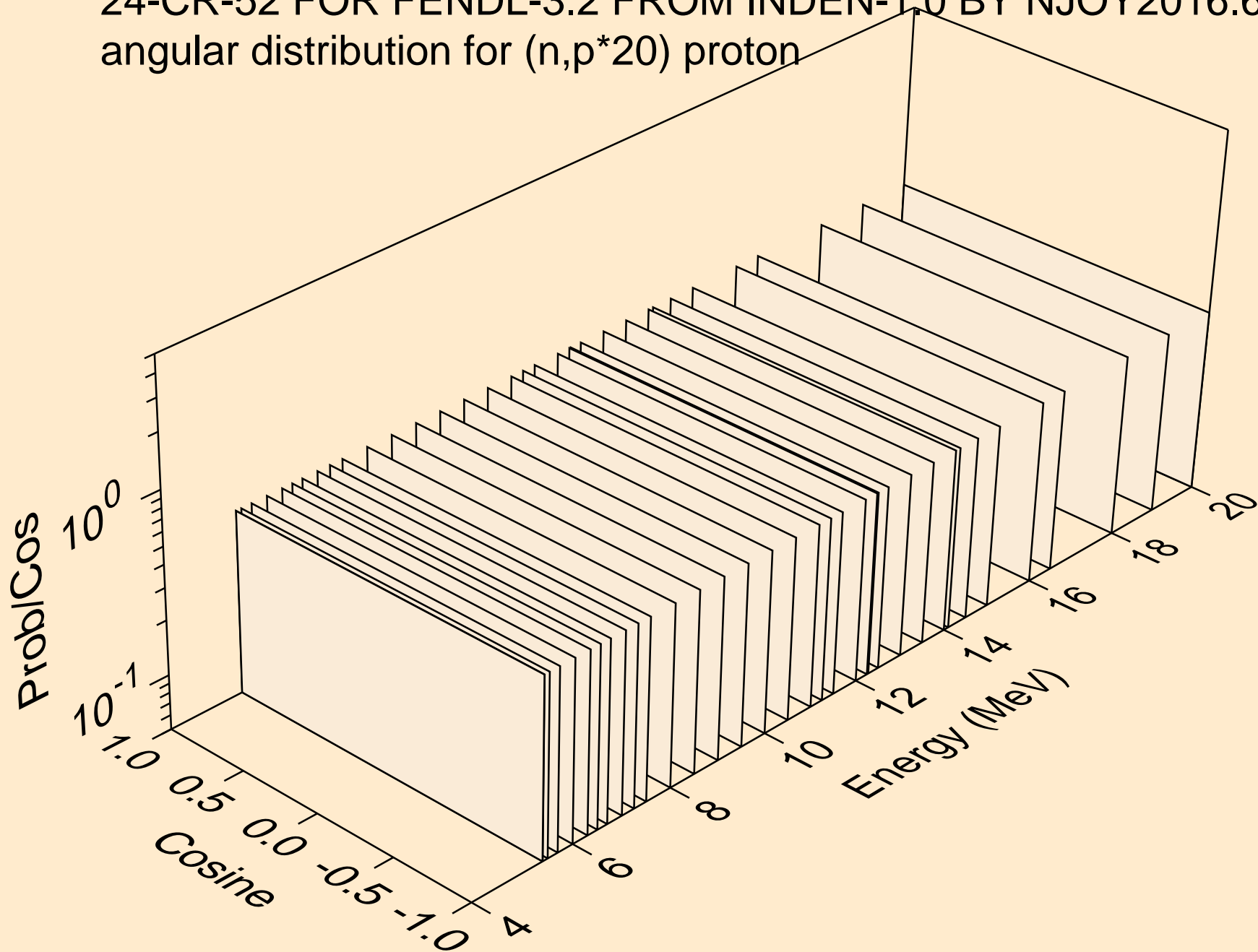
24-CR-52 FOR FENDL-3.2 FROM INDEN-1.0 BY NJOY2016.60+ OI
angular distribution for (n,p*19) proton



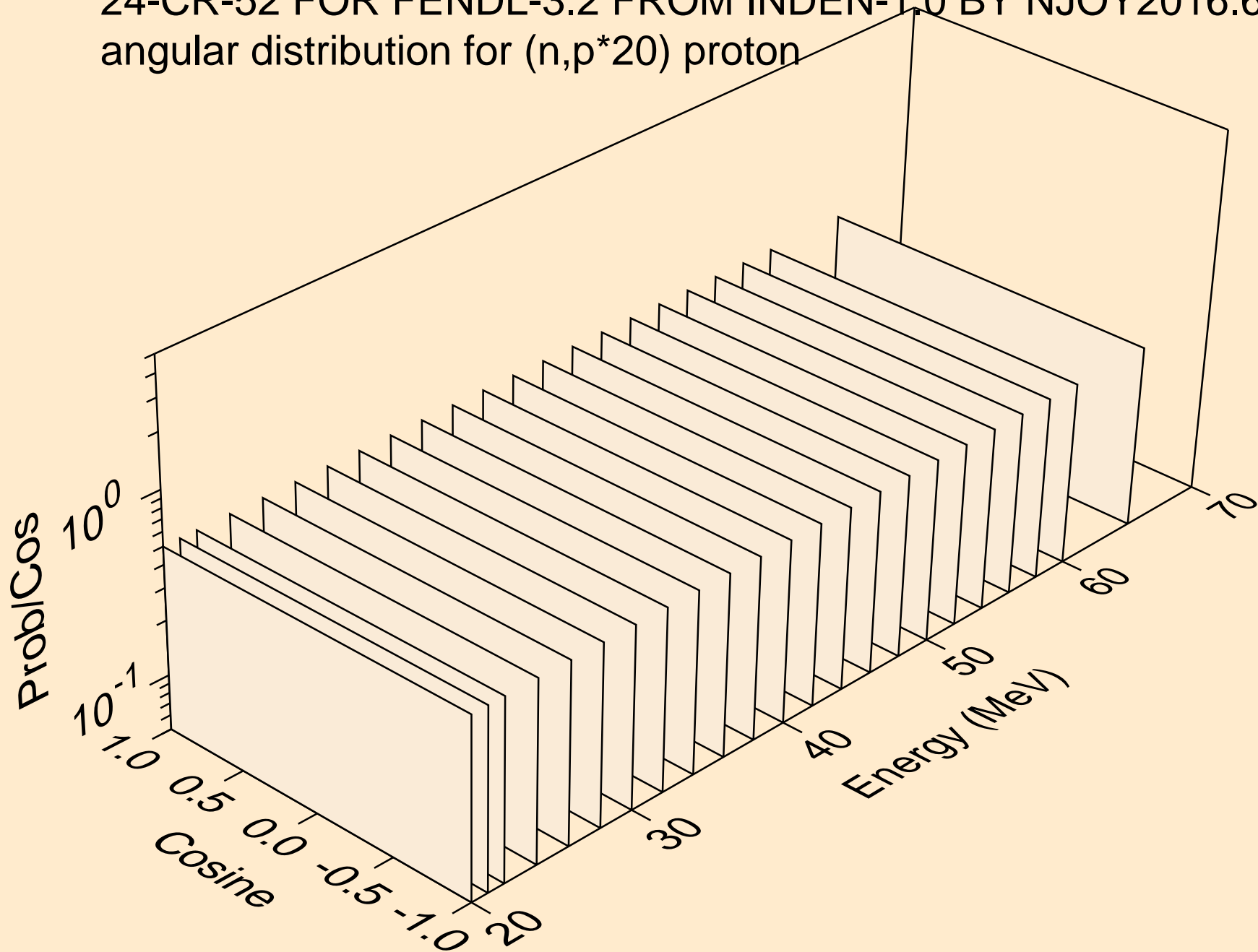
24-CR-52 FOR FENDL-3.2 FROM INDEN-1.0 BY NJOY2016.60+ OI
angular distribution for (n,p*19) proton



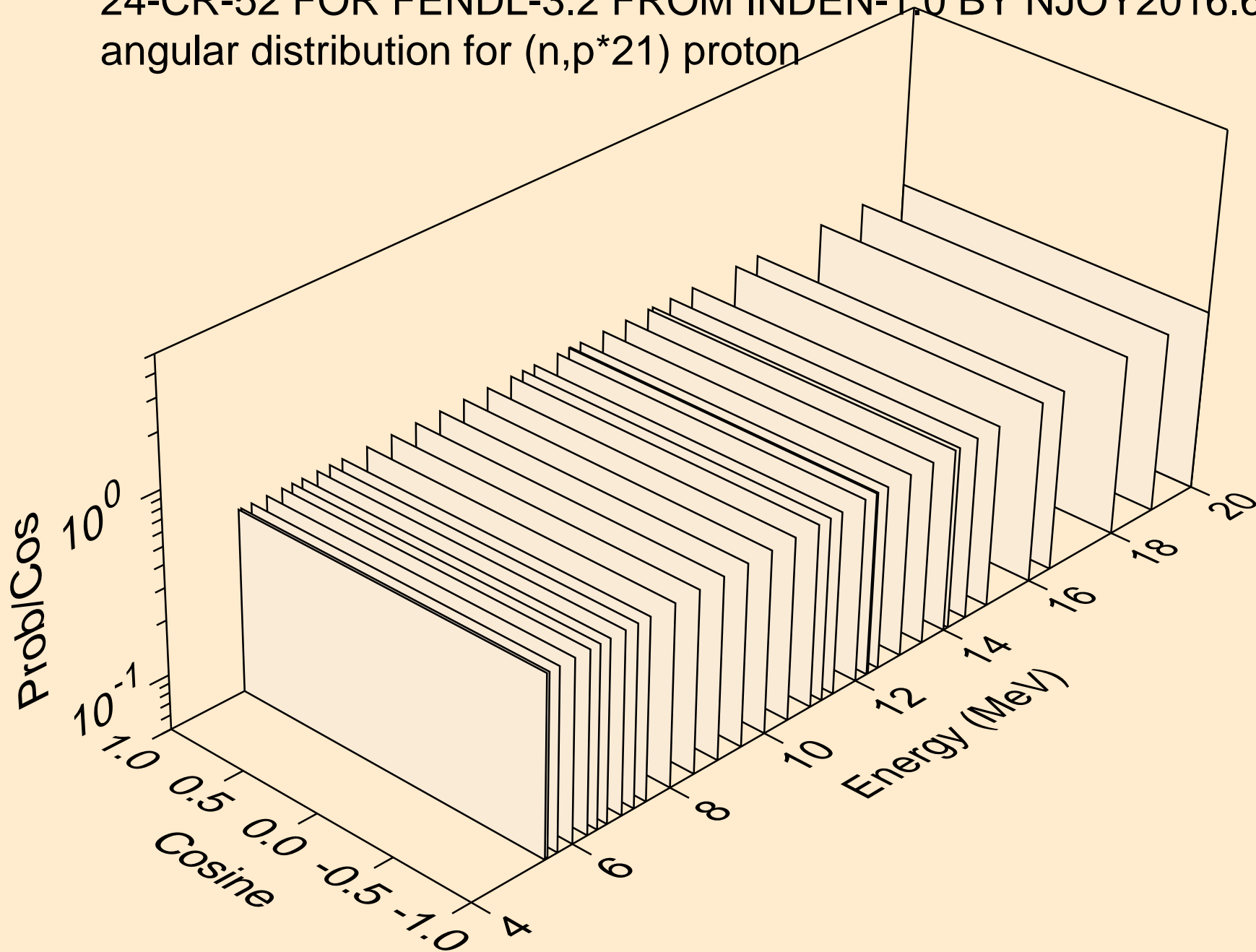
24-CR-52 FOR FENDL-3.2 FROM INDEN-1.0 BY NJOY2016.60+ OI
angular distribution for (n,p*20) proton



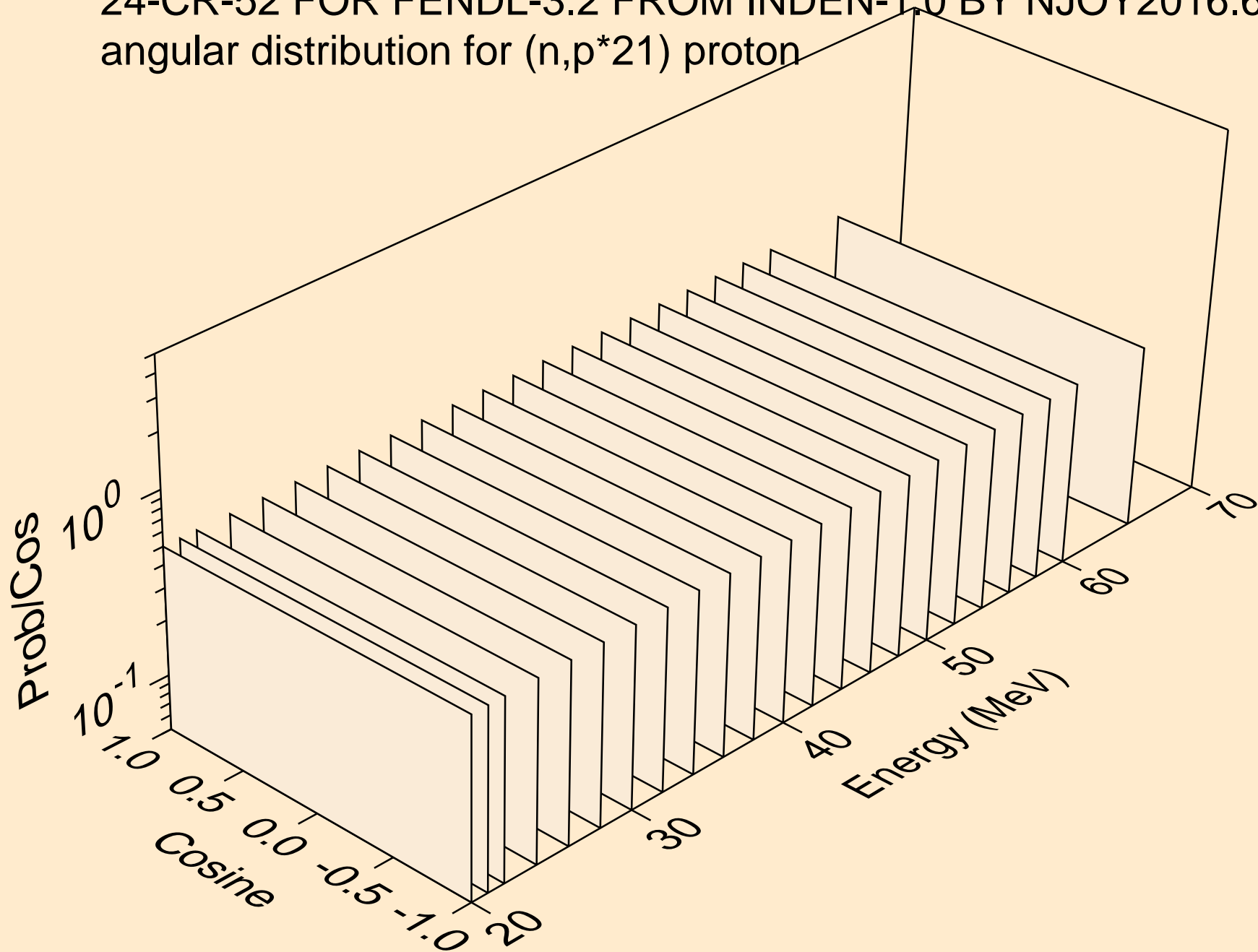
24-CR-52 FOR FENDL-3.2 FROM INDEN-1.0 BY NJOY2016.60+ OI
angular distribution for (n,p*20) proton



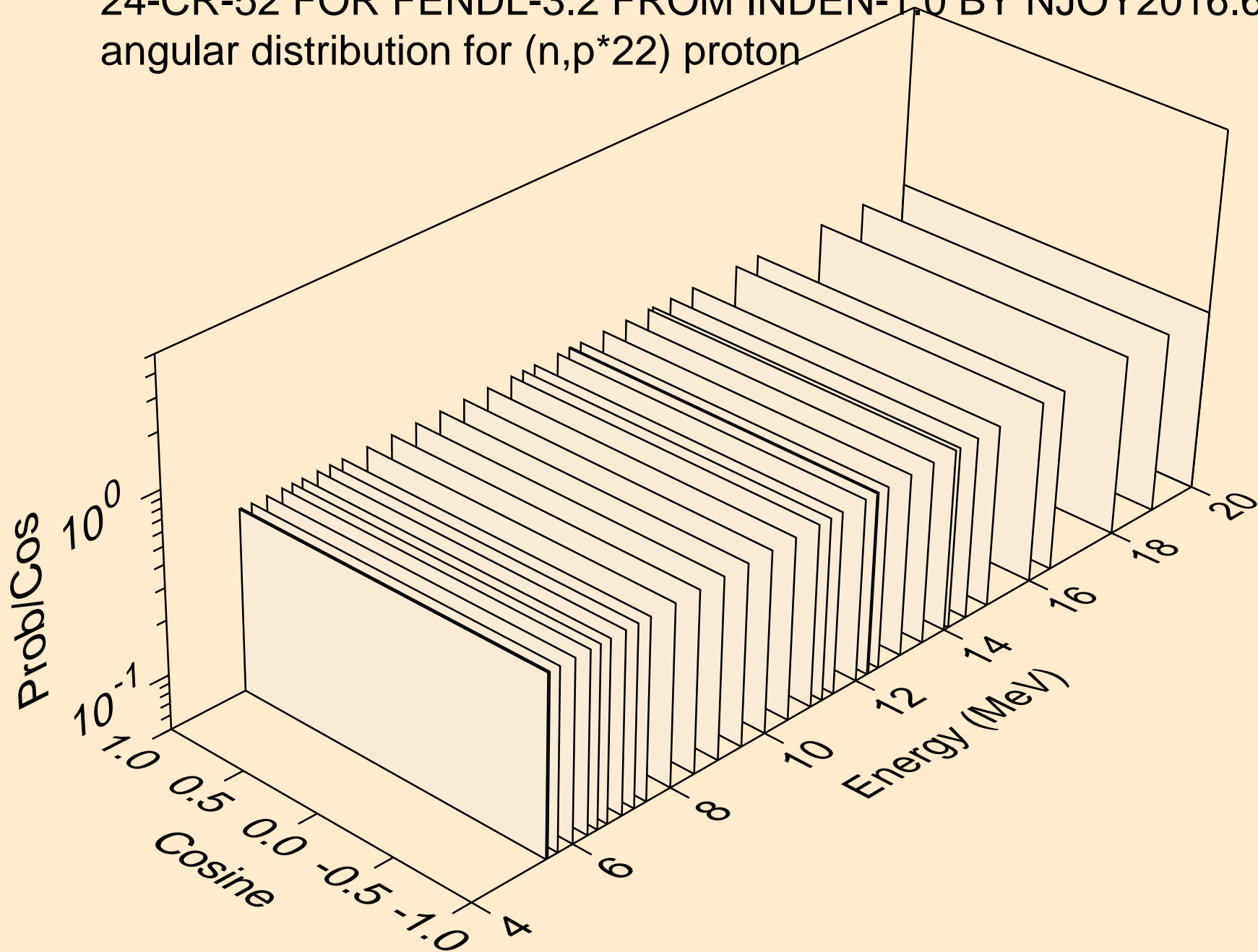
24-CR-52 FOR FENDL-3.2 FROM INDEN-1.0 BY NJOY2016.60+ OI
angular distribution for (n,p*21) proton



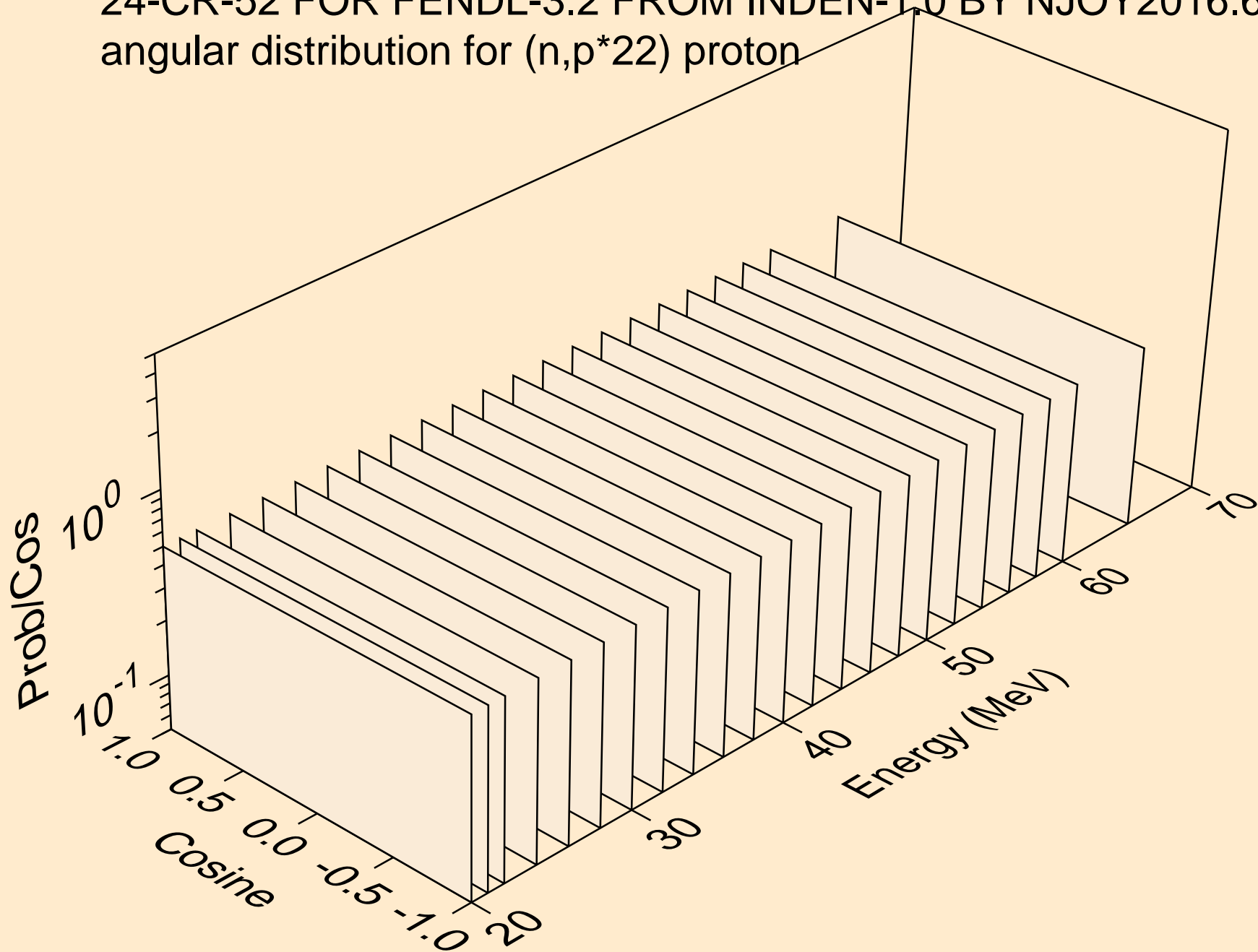
24-CR-52 FOR FENDL-3.2 FROM INDEN-1.0 BY NJOY2016.60+ OI
angular distribution for (n,p*21) proton



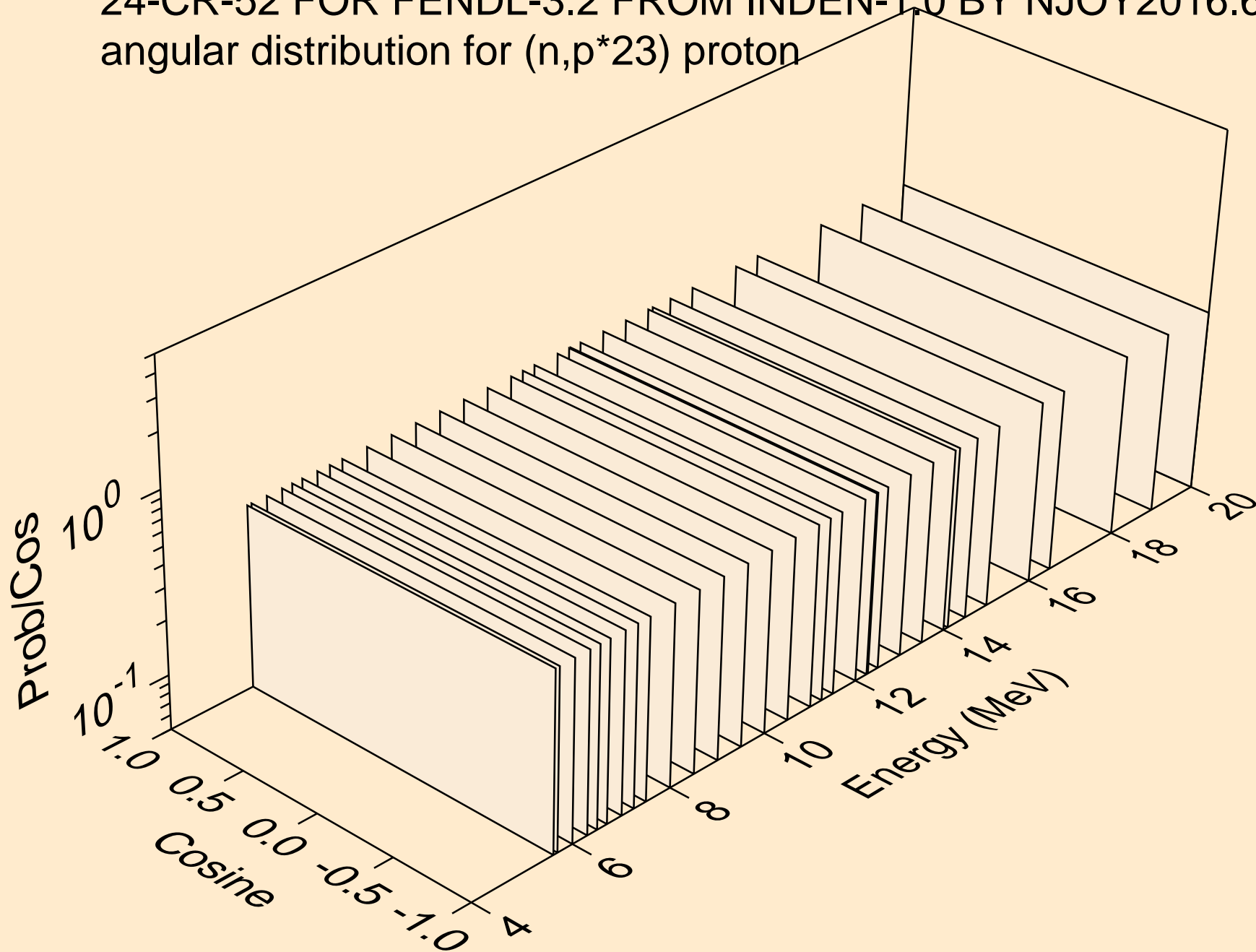
24-CR-52 FOR FENDL-3.2 FROM INDEN-1.0 BY NJOY2016.60+ OI
angular distribution for (n,p*22) proton



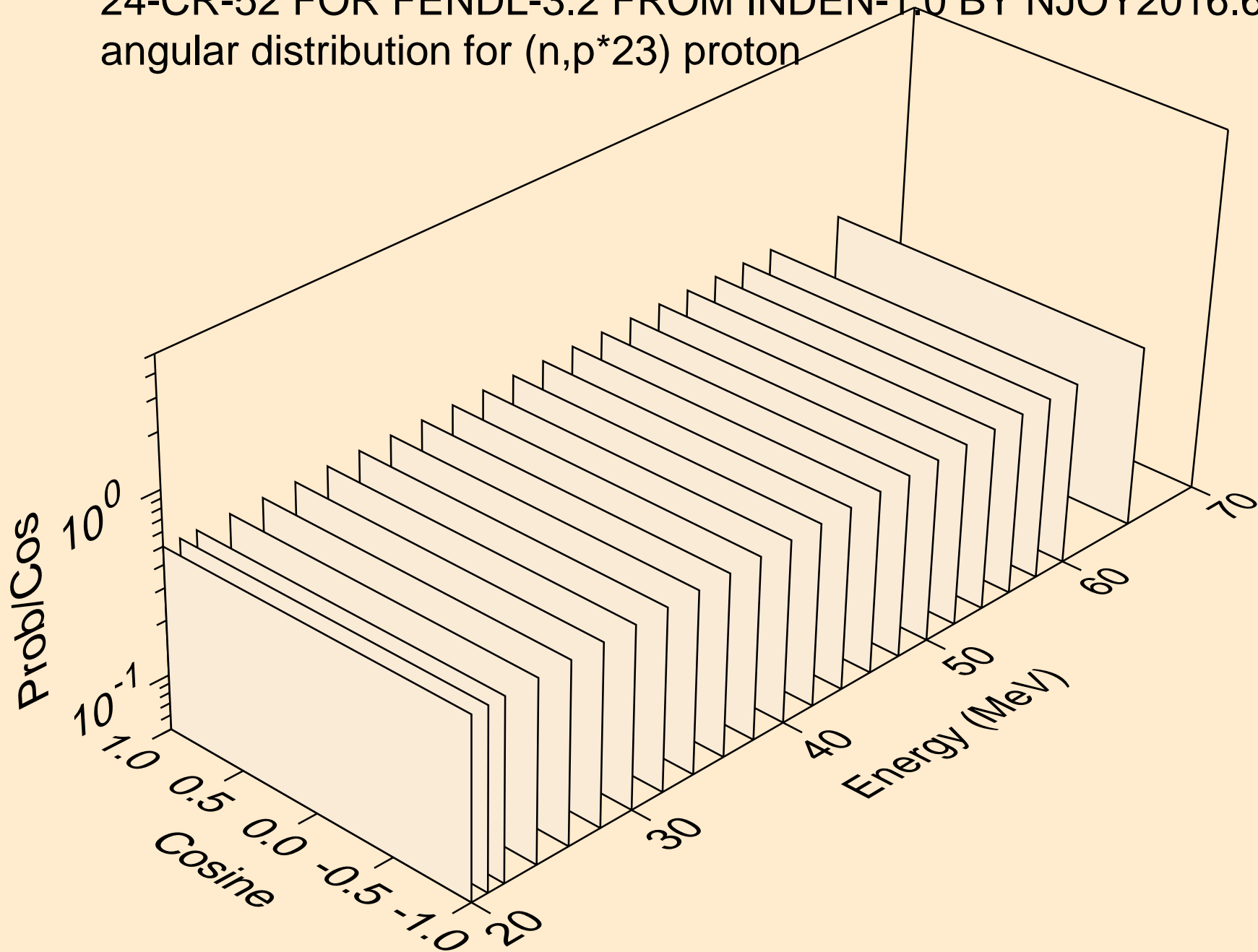
24-CR-52 FOR FENDL-3.2 FROM INDEN-1.0 BY NJOY2016.60+ OI
angular distribution for (n,p*22) proton



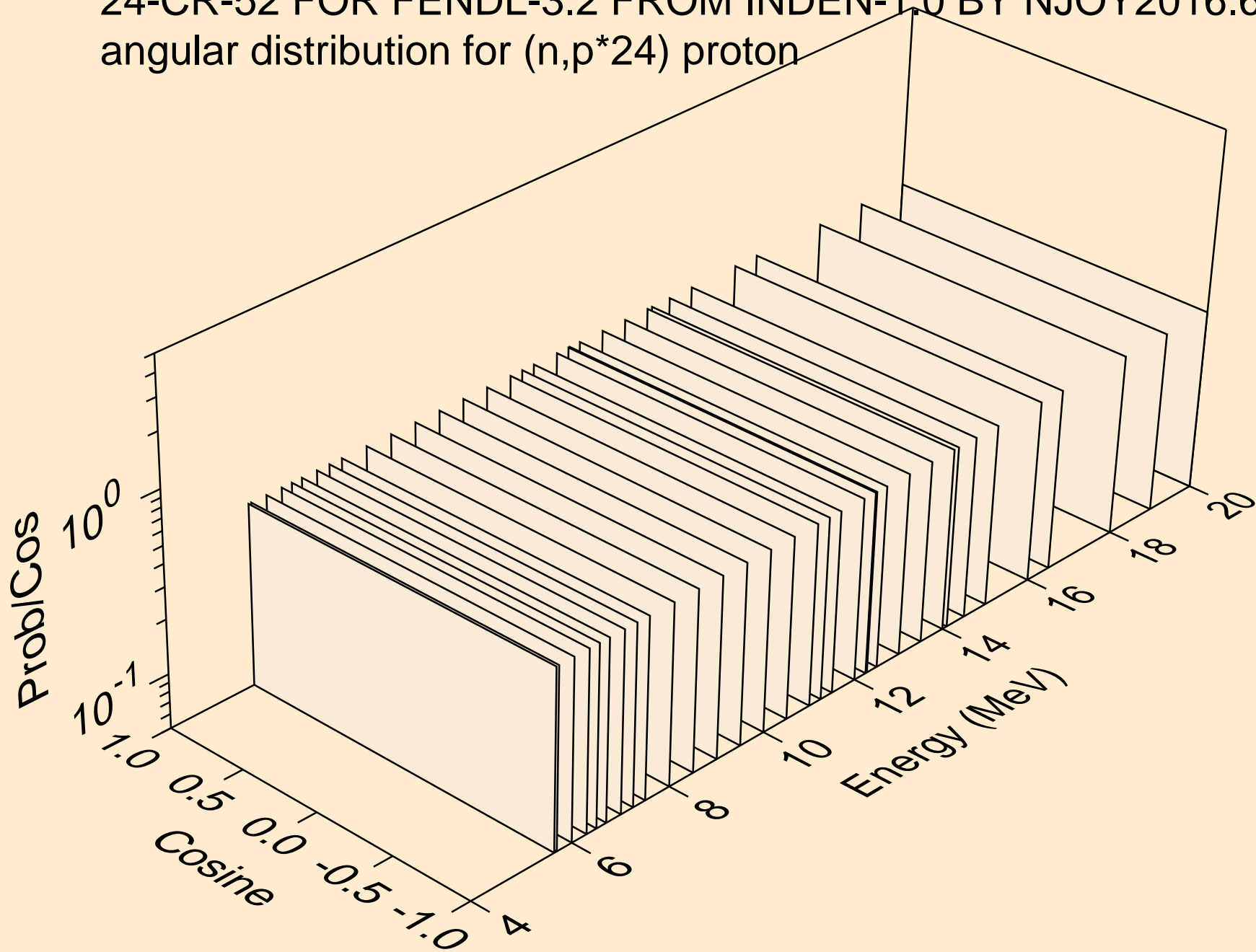
24-CR-52 FOR FENDL-3.2 FROM INDEN-1.0 BY NJOY2016.60+ OI
angular distribution for (n,p*23) proton



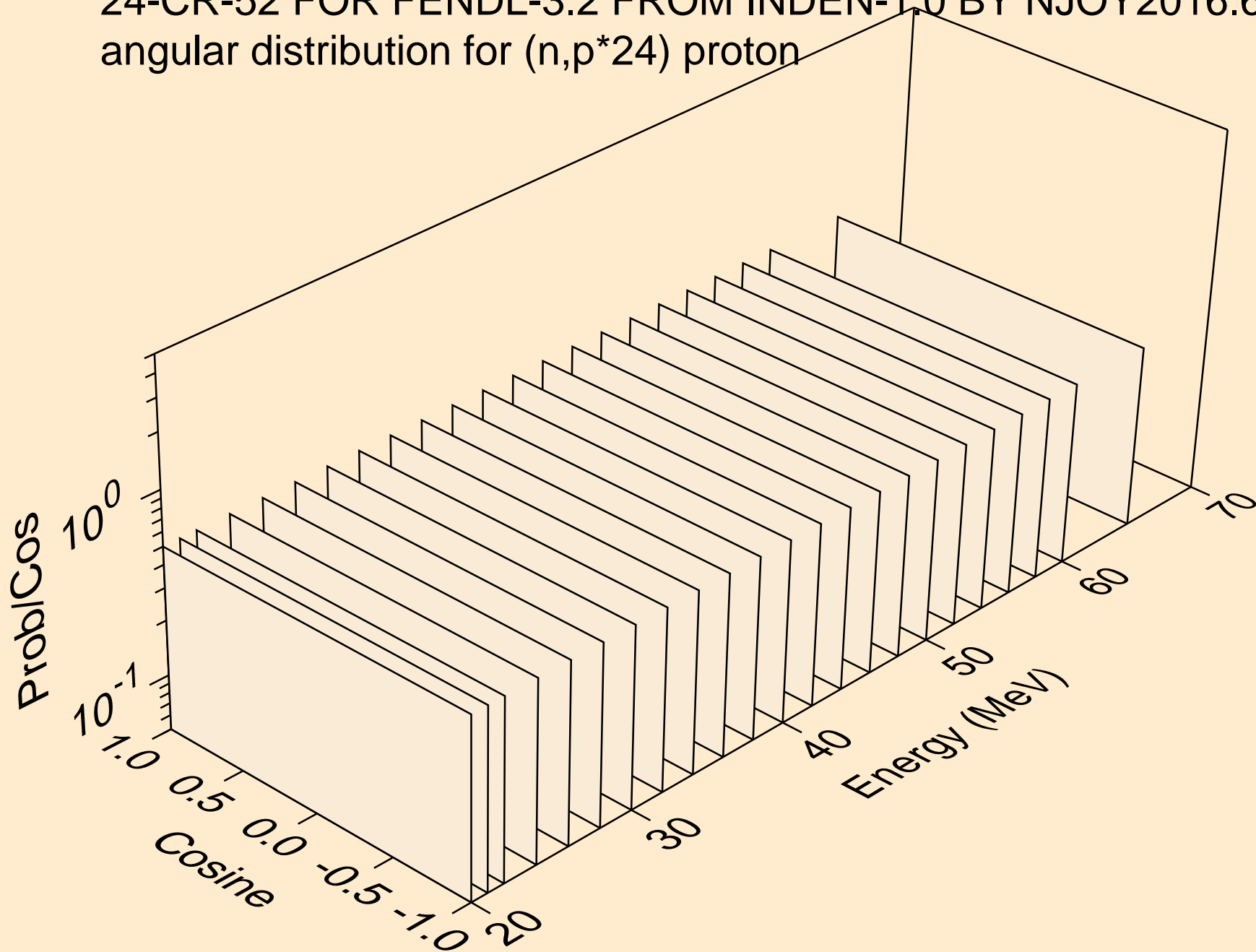
24-CR-52 FOR FENDL-3.2 FROM INDEN-1.0 BY NJOY2016.60+ OI
angular distribution for (n,p*23) proton



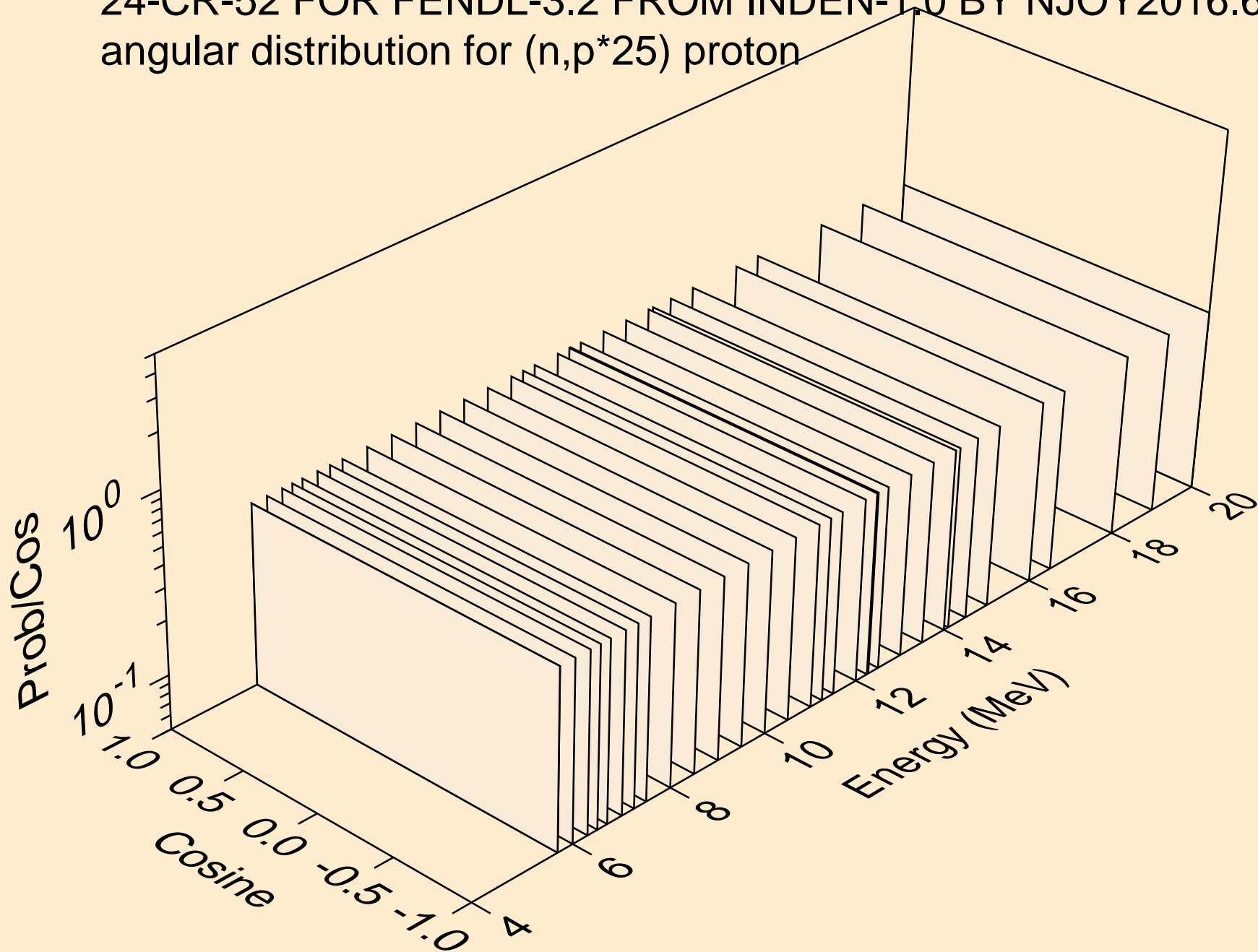
24-CR-52 FOR FENDL-3.2 FROM INDEN-1.0 BY NJOY2016.60+ OI
angular distribution for (n,p*24) proton



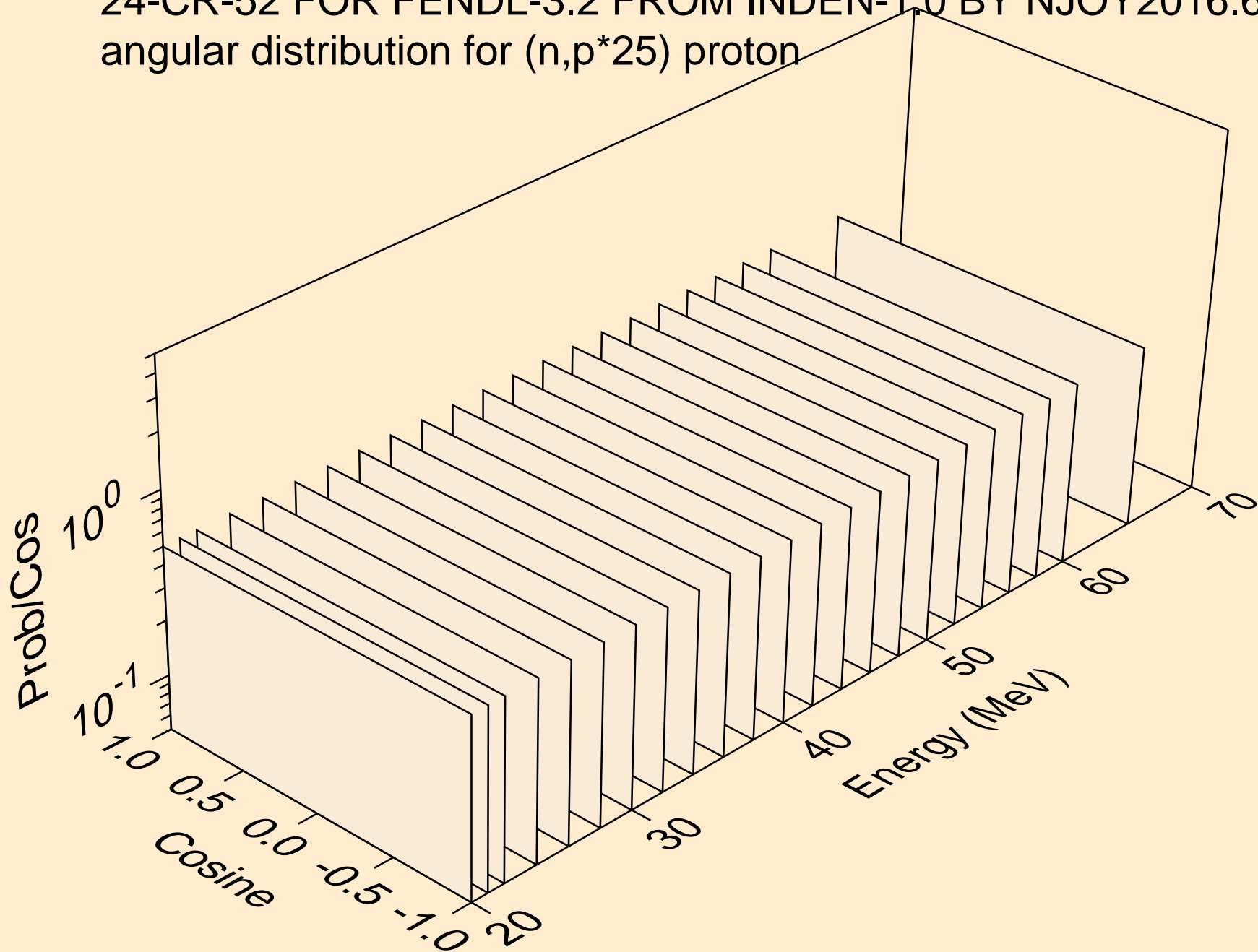
24-CR-52 FOR FENDL-3.2 FROM INDEN-1.0 BY NJOY2016.60+ OI
angular distribution for (n,p*24) proton



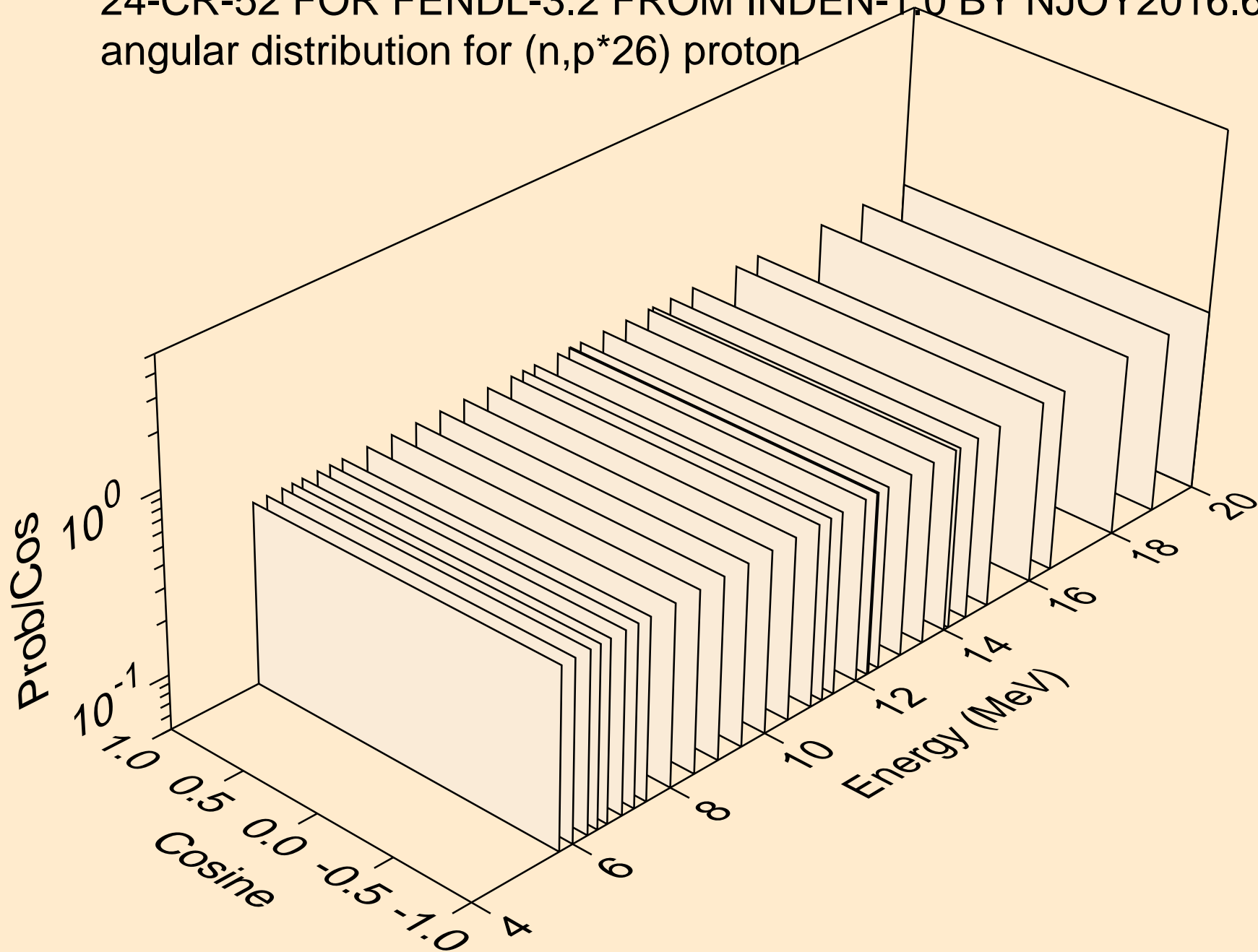
24-CR-52 FOR FENDL-3.2 FROM INDEN-1.0 BY NJOY2016.60+ OI
angular distribution for (n,p*25) proton



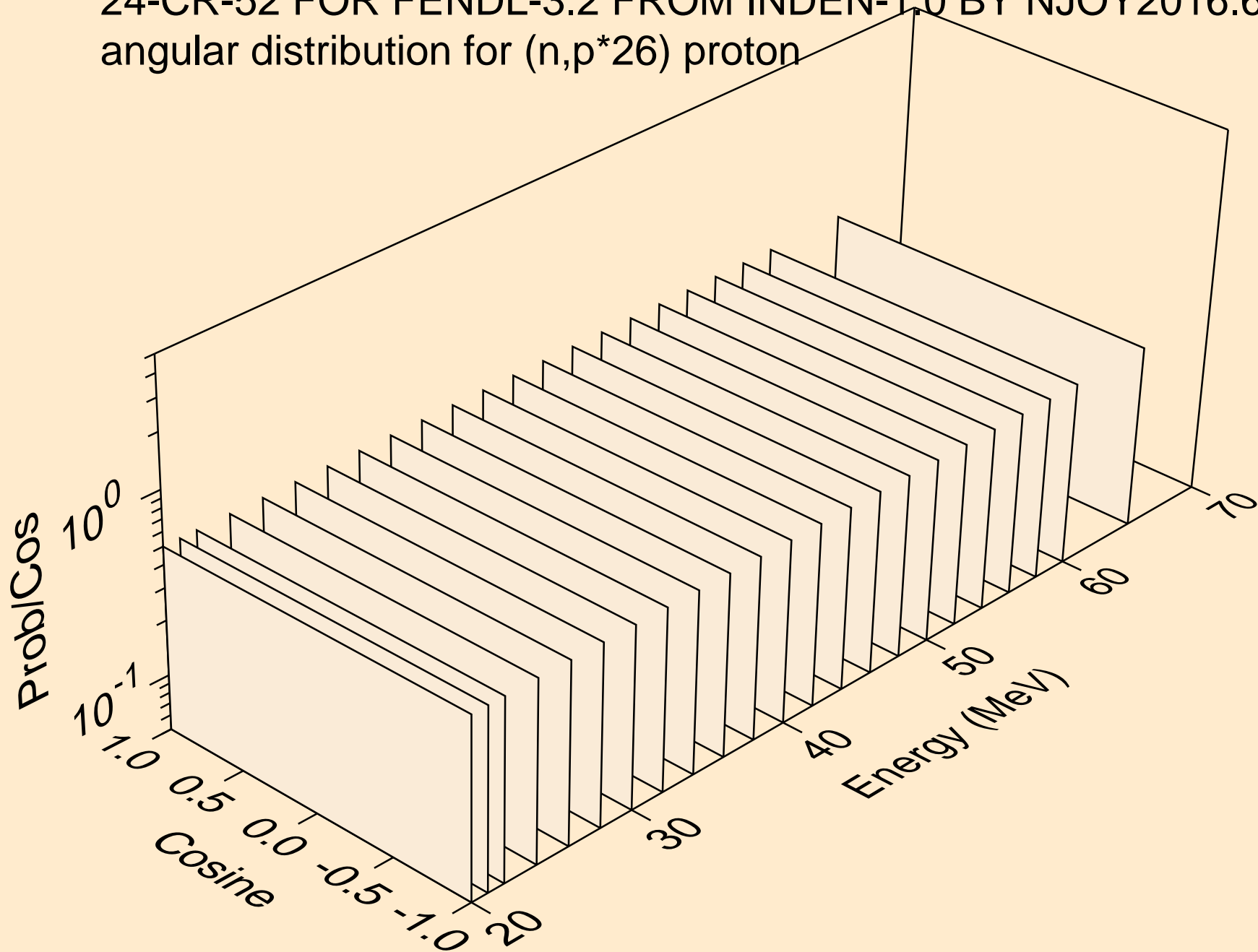
24-CR-52 FOR FENDL-3.2 FROM INDEN-1.0 BY NJOY2016.60+ OI
angular distribution for (n,p*25) proton



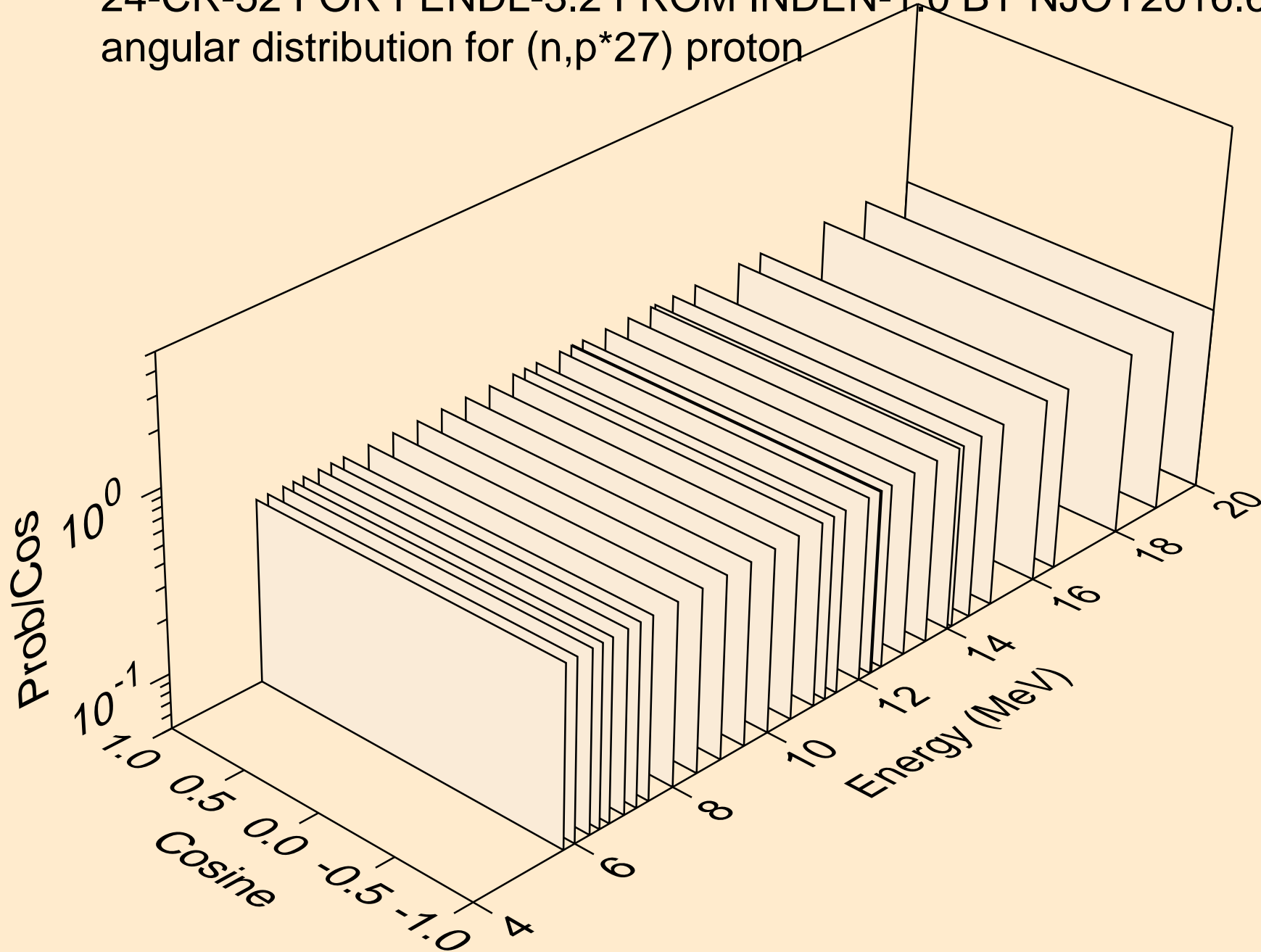
24-CR-52 FOR FENDL-3.2 FROM INDEN-1.0 BY NJOY2016.60+ OI
angular distribution for (n,p*26) proton



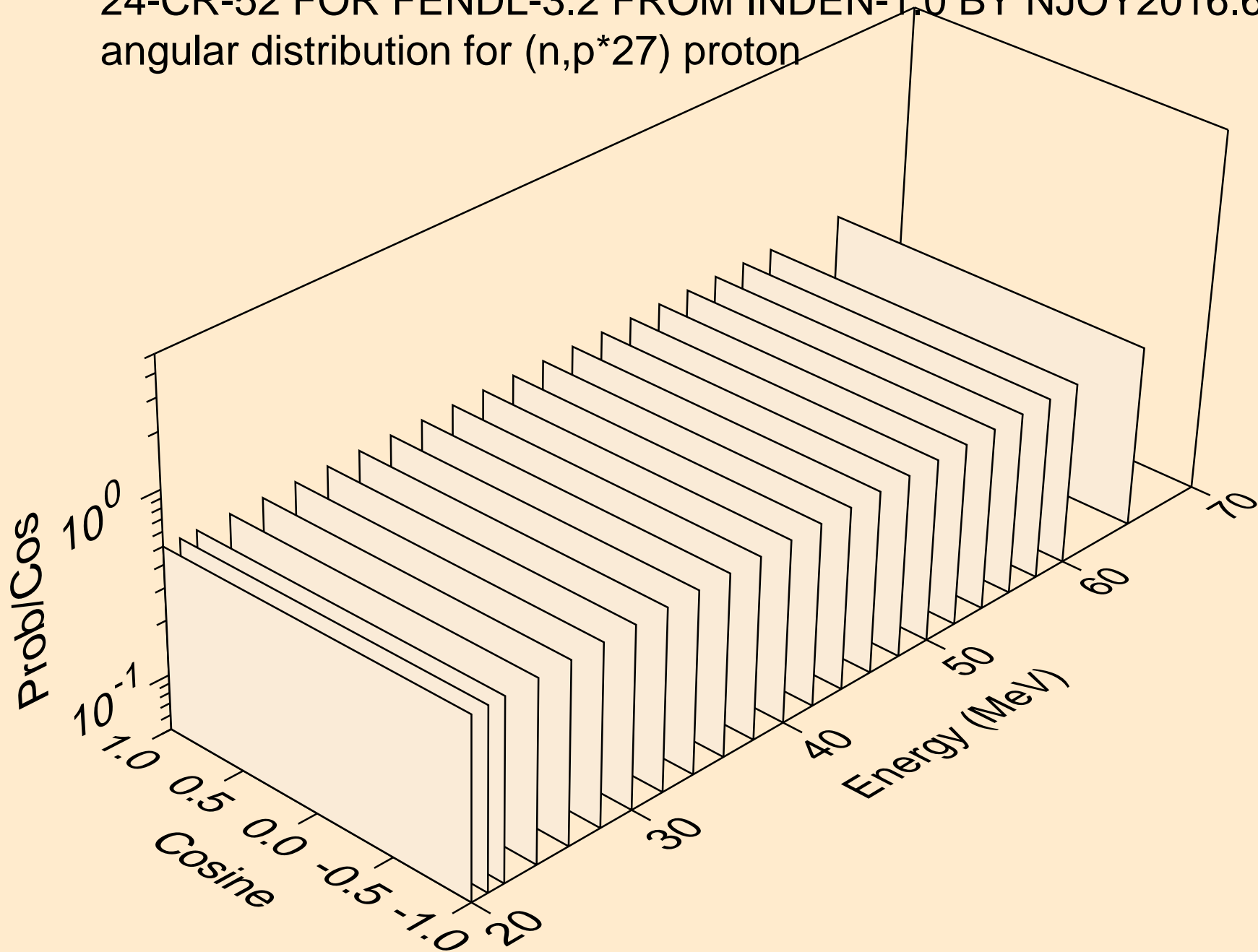
24-CR-52 FOR FENDL-3.2 FROM INDEN-1.0 BY NJOY2016.60+ OI
angular distribution for (n,p*26) proton



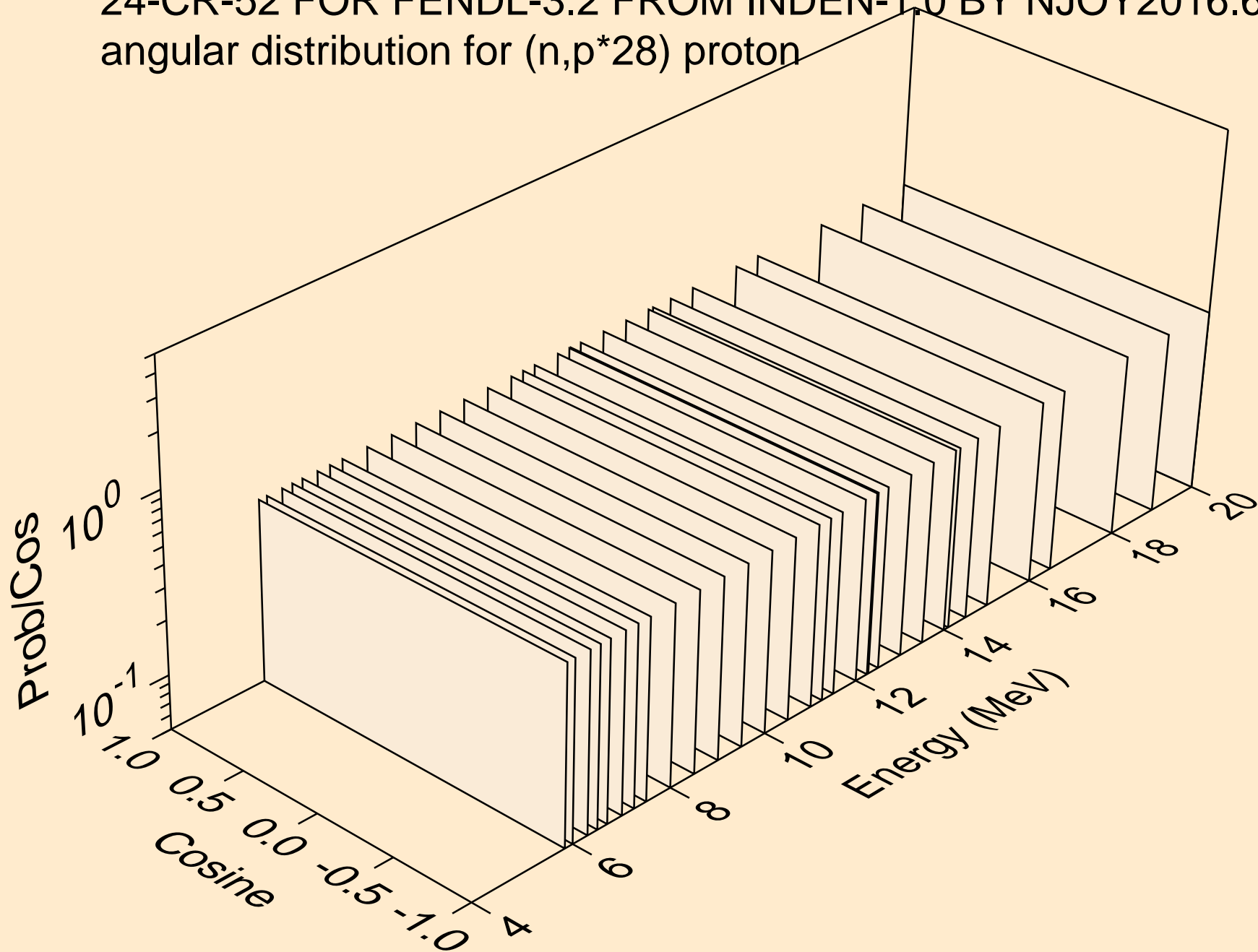
24-CR-52 FOR FENDL-3.2 FROM INDEN-1.0 BY NJOY2016.60+ OI
angular distribution for (n,p*27) proton



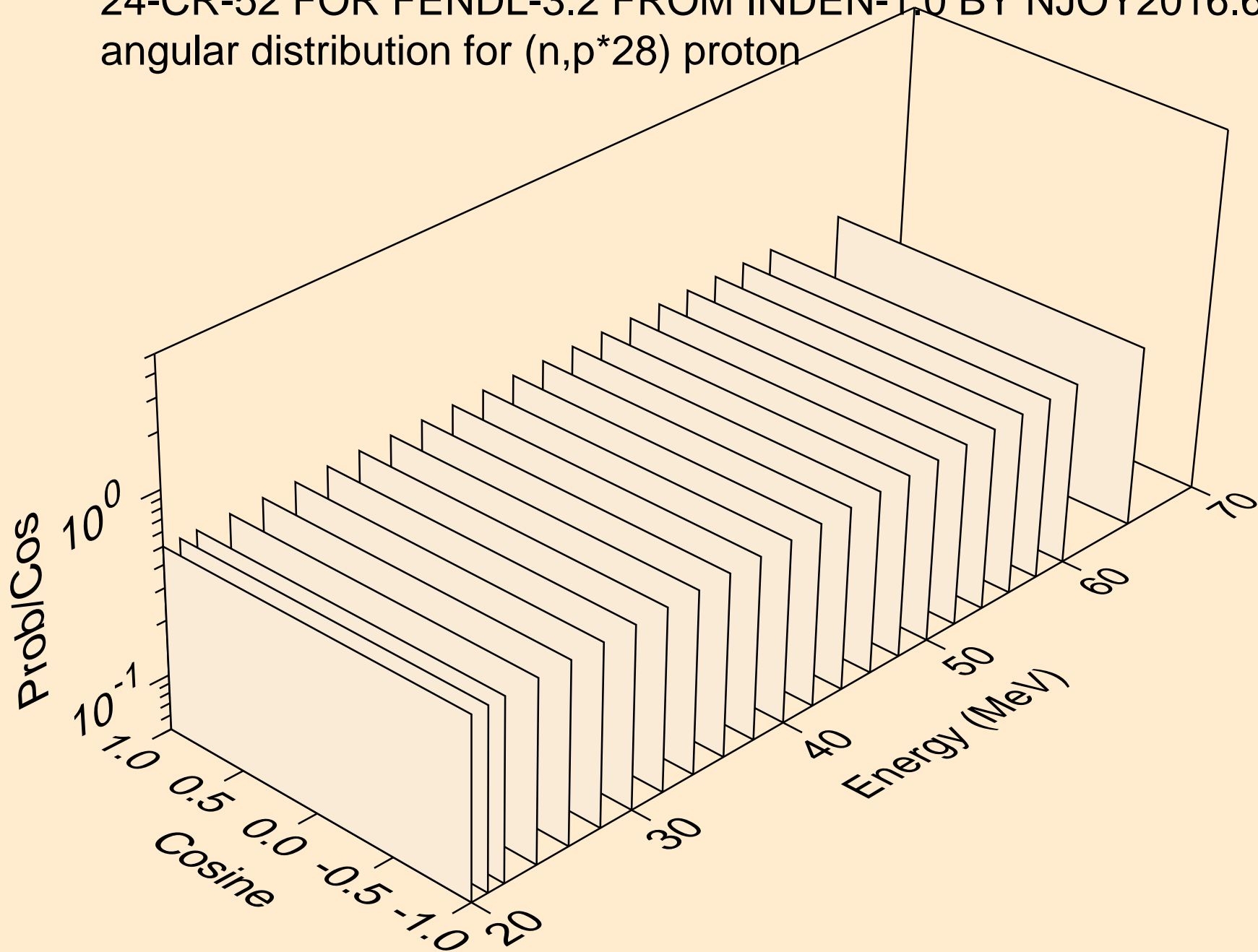
24-CR-52 FOR FENDL-3.2 FROM INDEN-1.0 BY NJOY2016.60+ OI
angular distribution for (n,p*27) proton



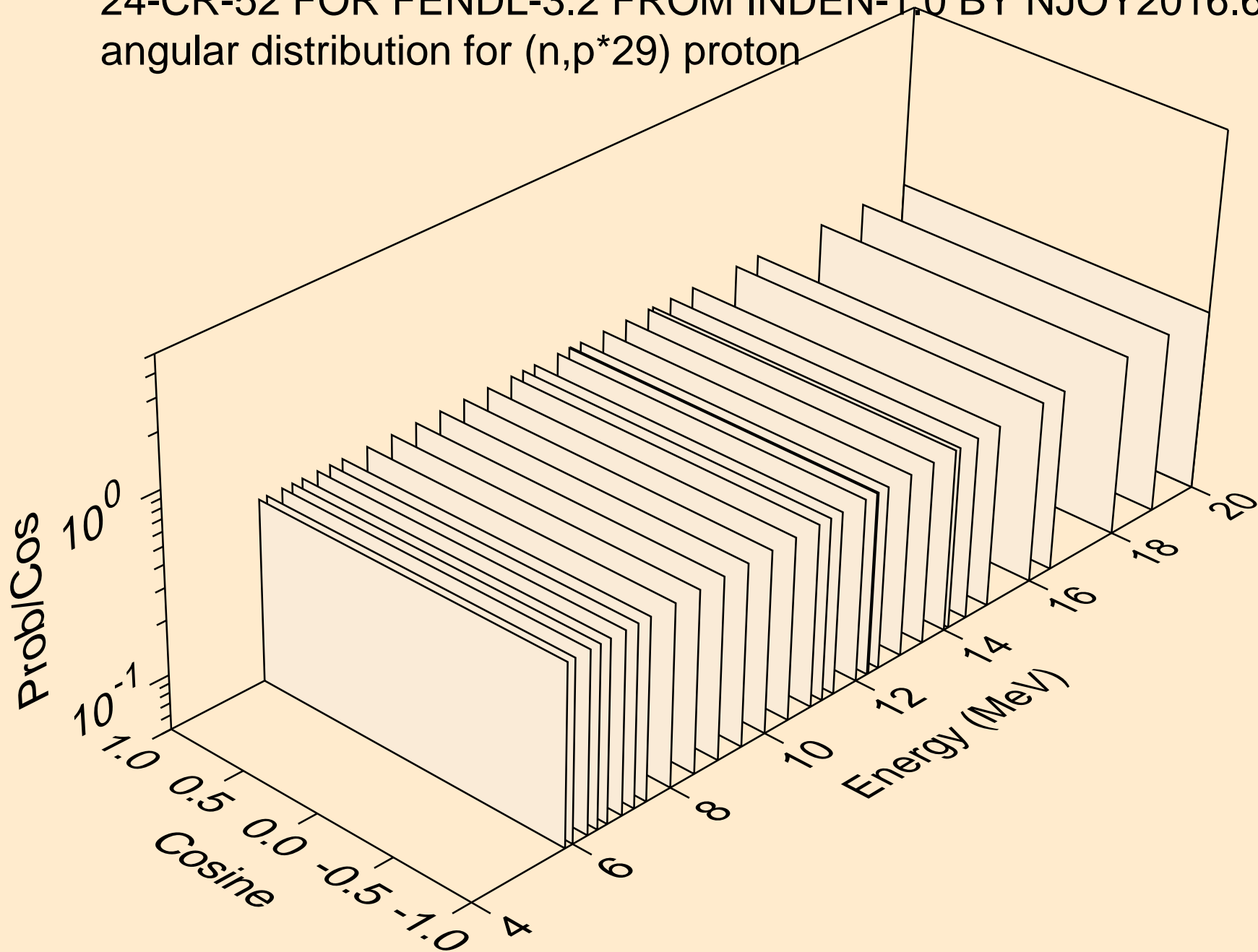
24-CR-52 FOR FENDL-3.2 FROM INDEN-1.0 BY NJOY2016.60+ OI
angular distribution for (n,p*28) proton



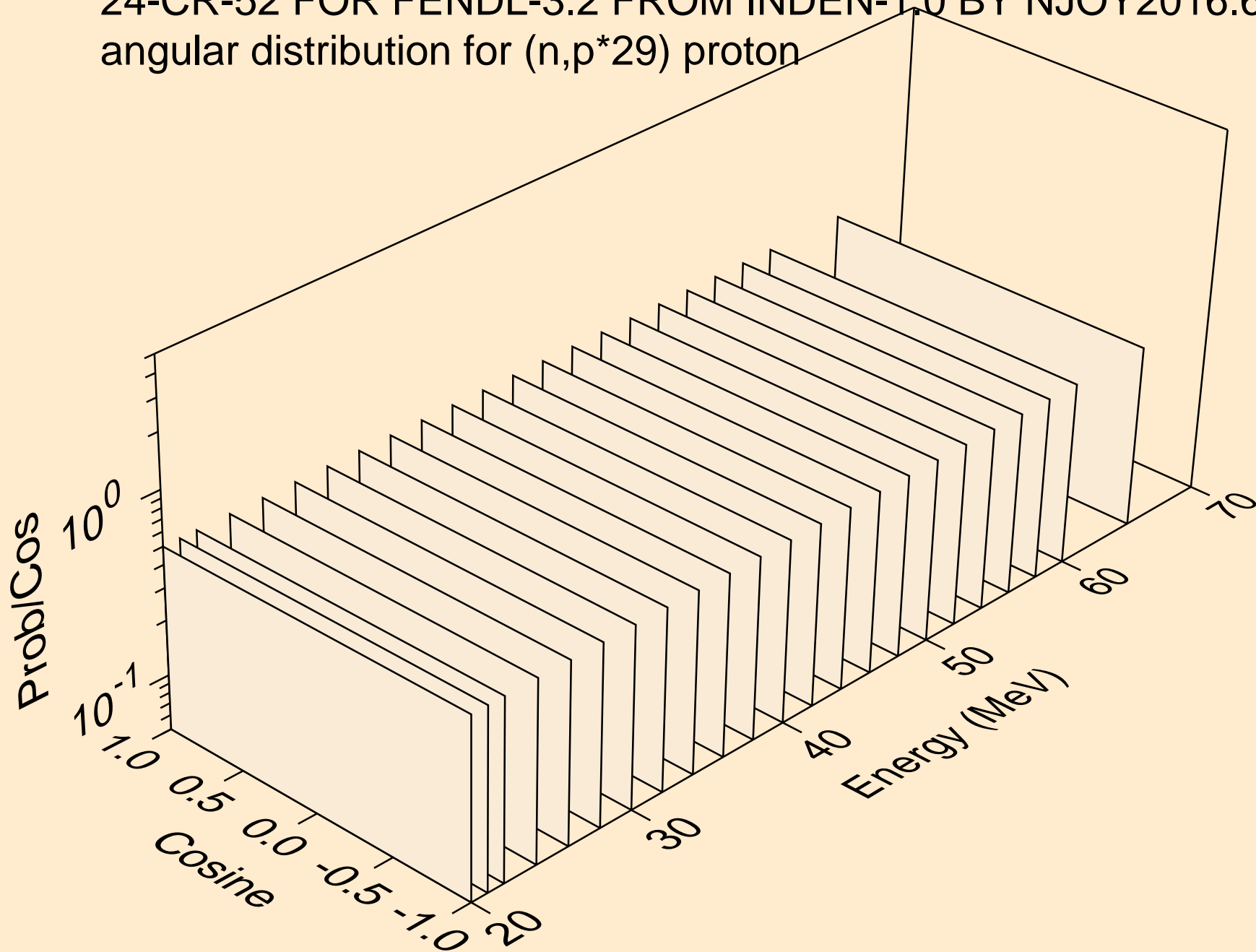
24-CR-52 FOR FENDL-3.2 FROM INDEN-1.0 BY NJOY2016.60+ OI
angular distribution for (n,p*28) proton



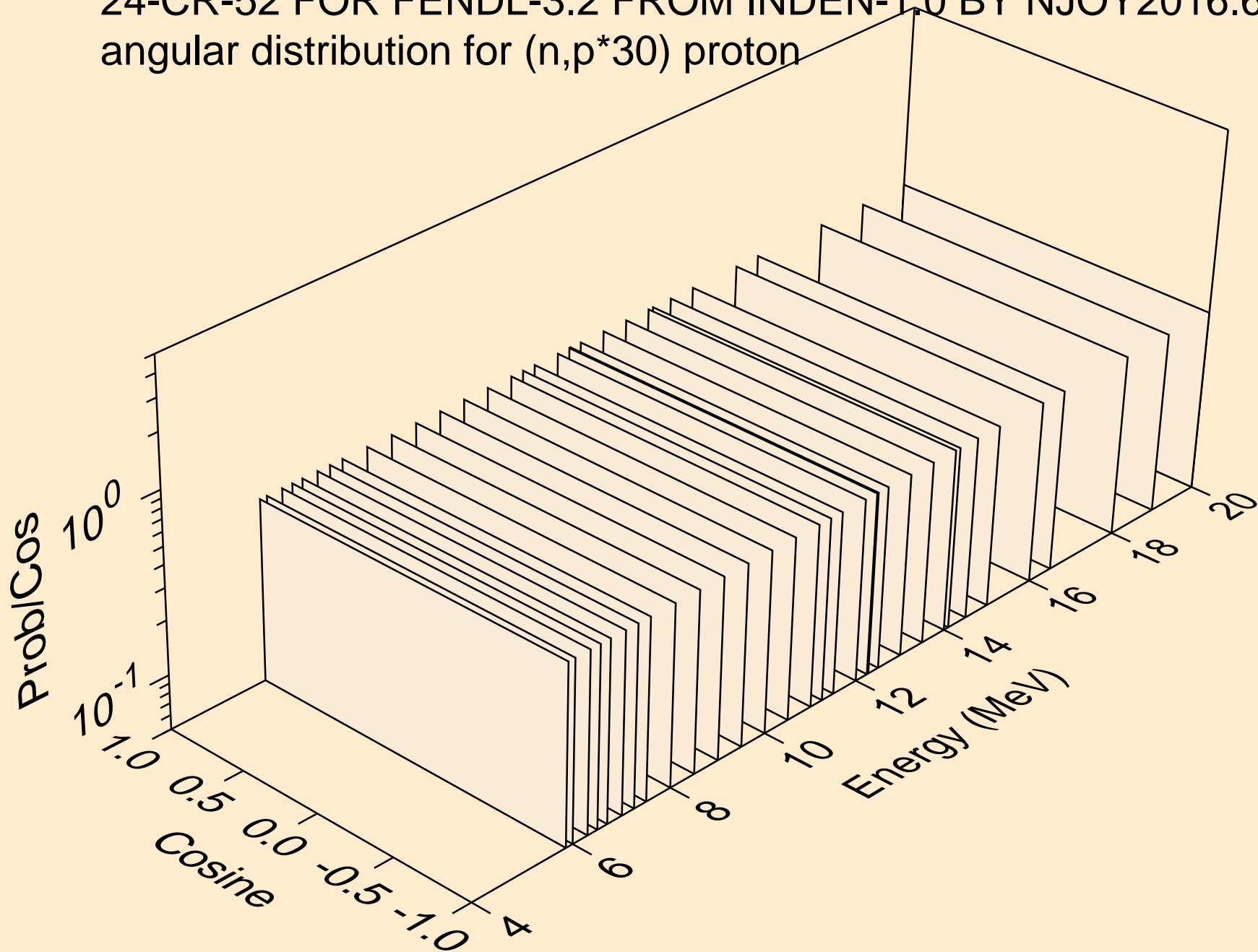
24-CR-52 FOR FENDL-3.2 FROM INDEN-1.0 BY NJOY2016.60+ OI
angular distribution for (n,p*29) proton



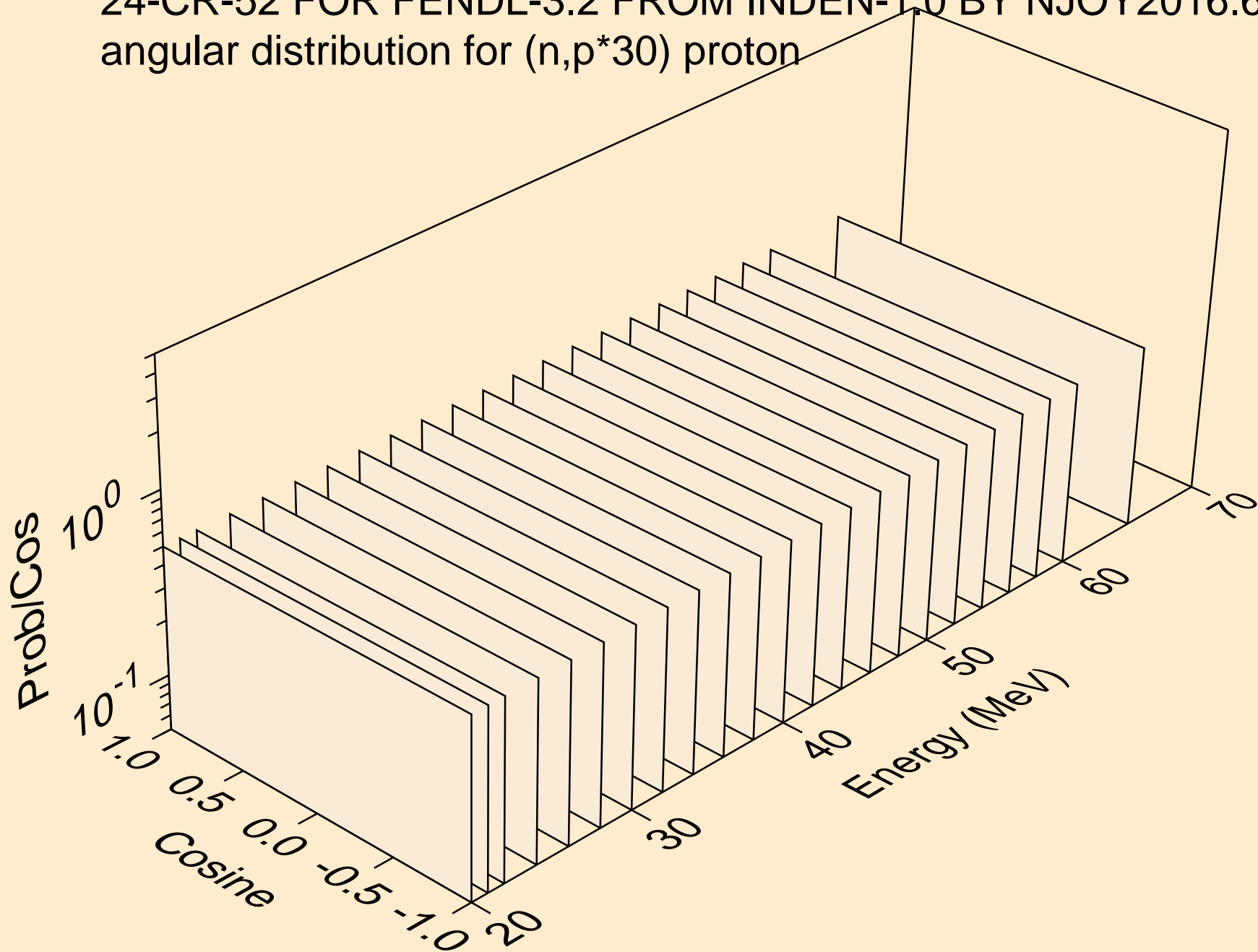
24-CR-52 FOR FENDL-3.2 FROM INDEN-1.0 BY NJOY2016.60+ OI
angular distribution for (n,p*29) proton



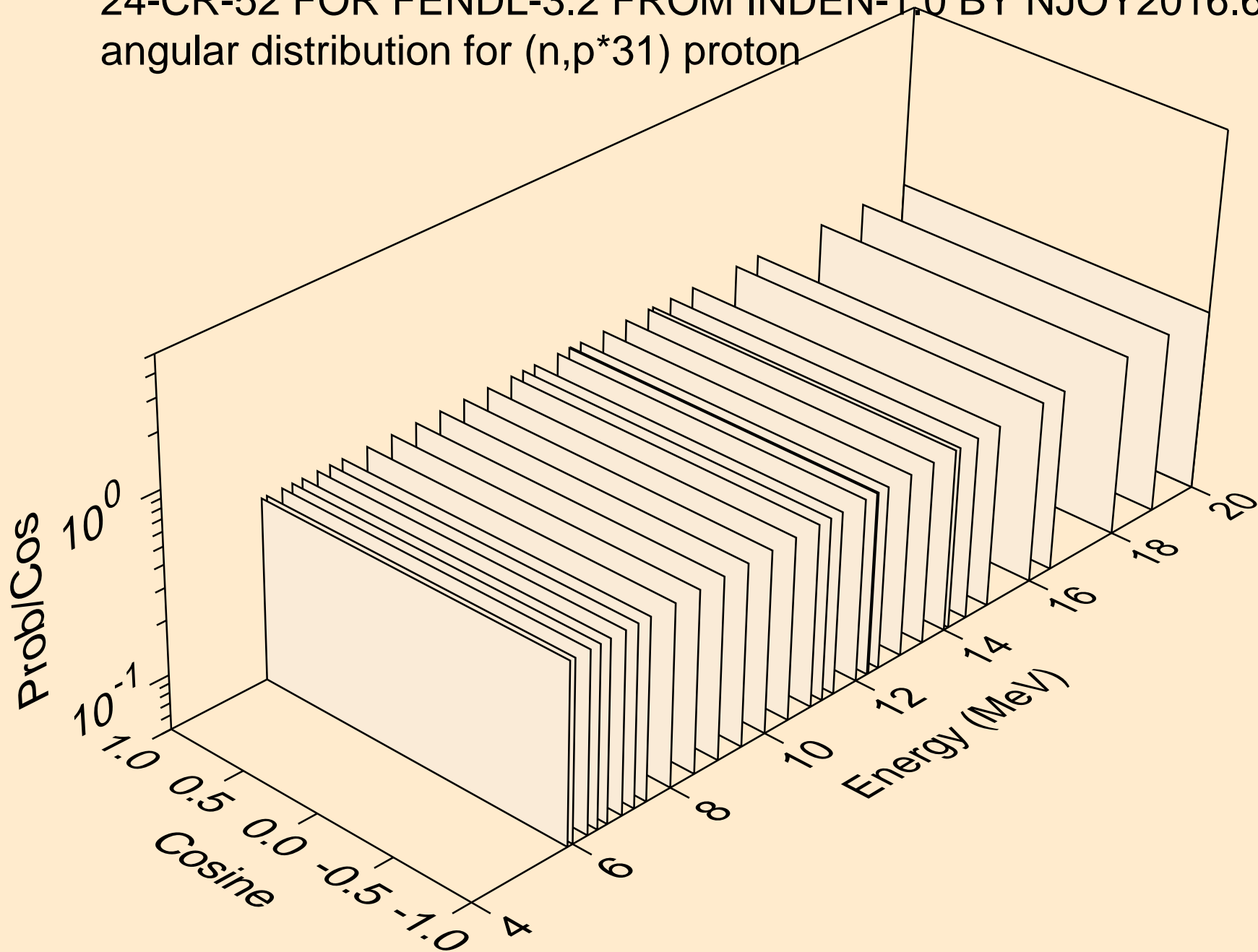
24-CR-52 FOR FENDL-3.2 FROM INDEN-1.0 BY NJOY2016.60+ OI
angular distribution for (n,p*30) proton



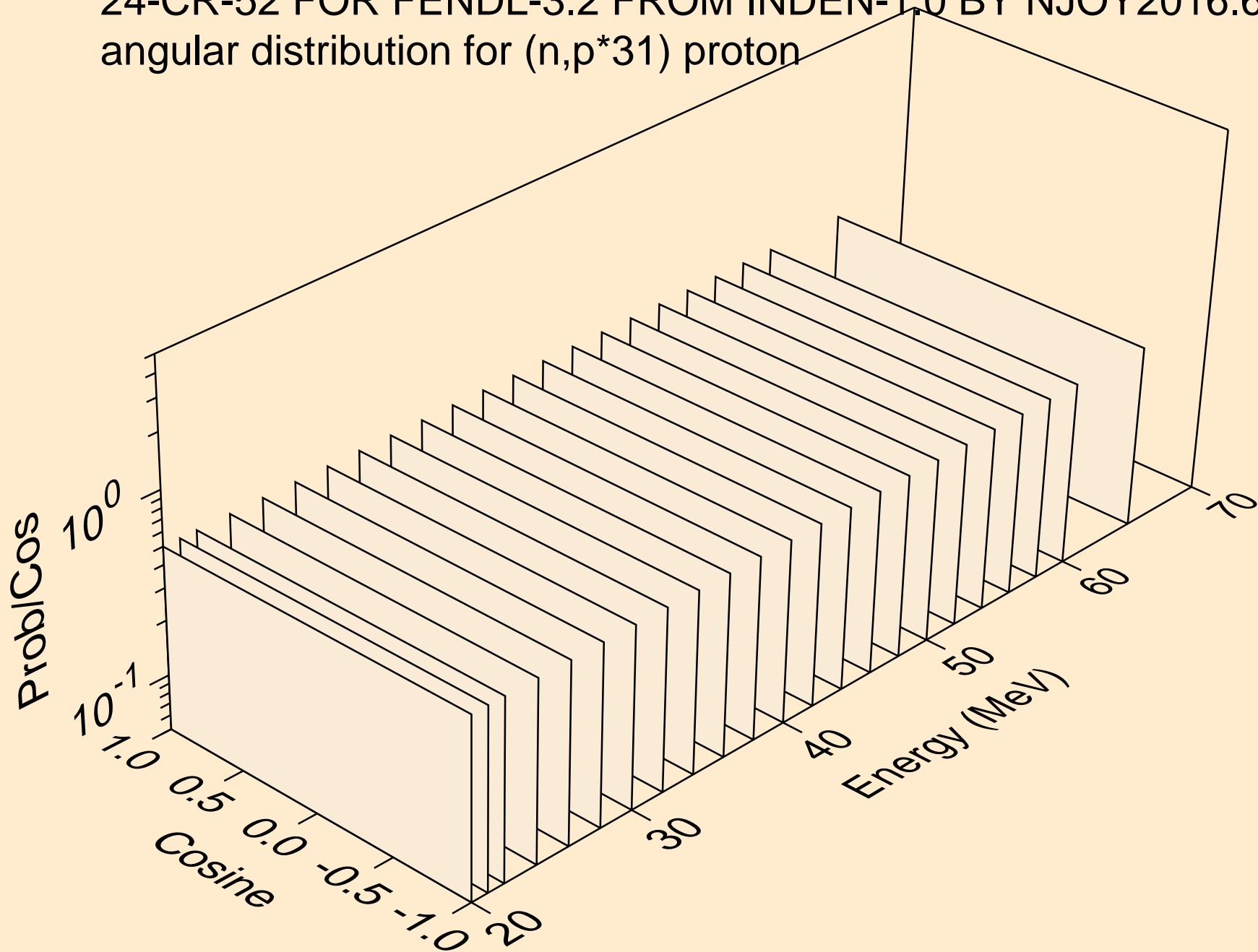
24-CR-52 FOR FENDL-3.2 FROM INDEN-1.0 BY NJOY2016.60+ OI
angular distribution for (n,p*30) proton



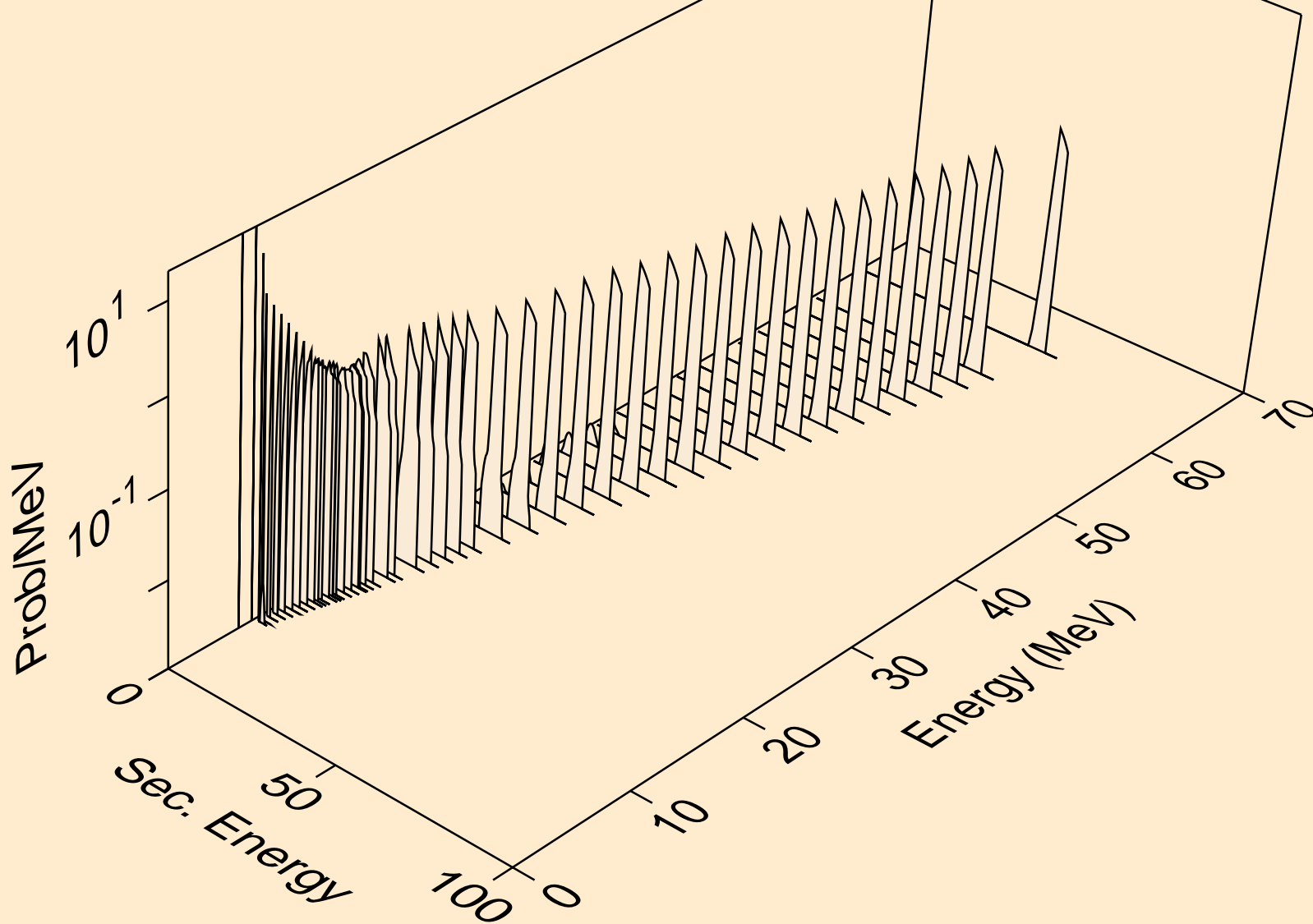
24-CR-52 FOR FENDL-3.2 FROM INDEN-1.0 BY NJOY2016.60+ OI
angular distribution for (n,p*31) proton



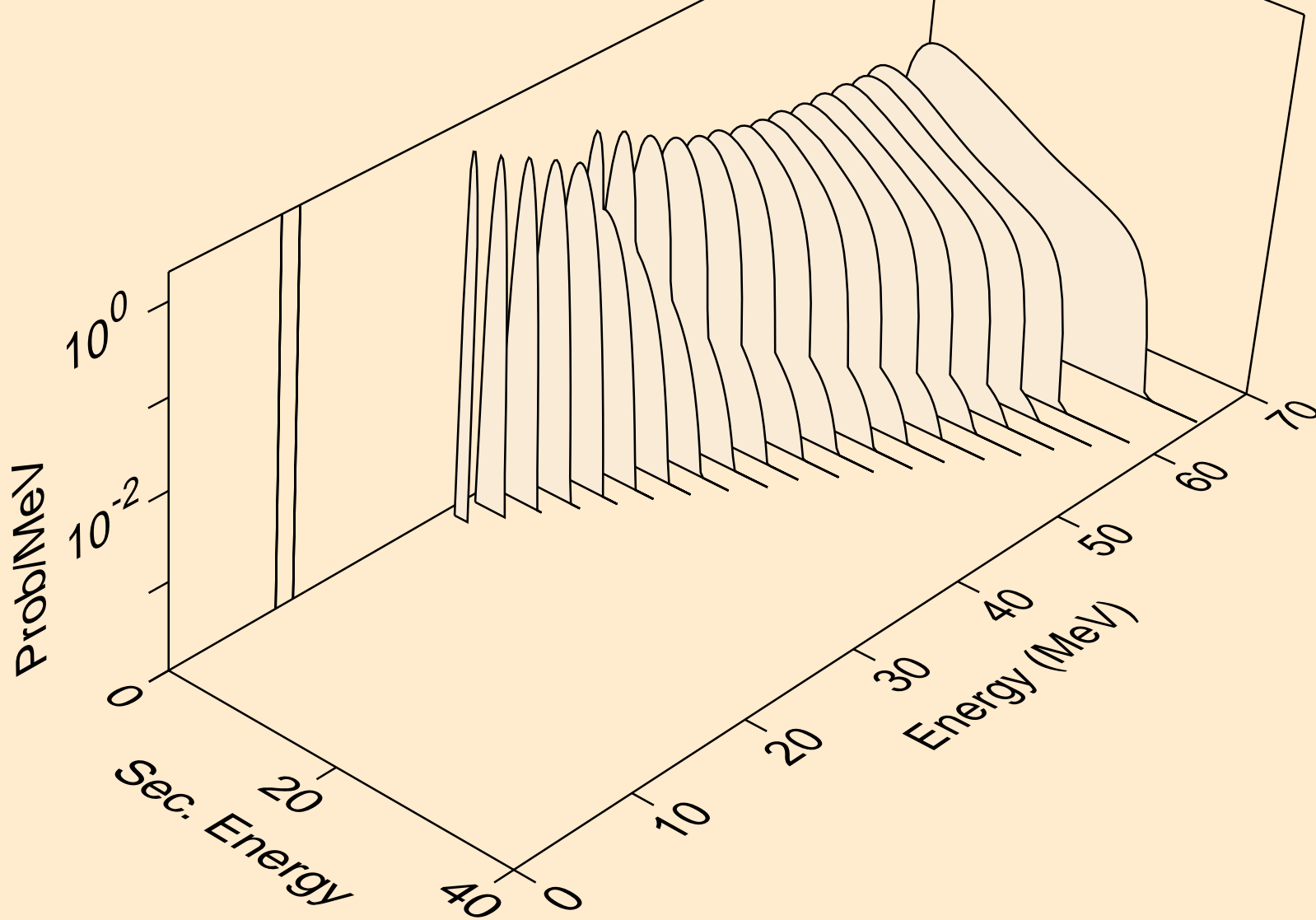
24-CR-52 FOR FENDL-3.2 FROM INDEN-1.0 BY NJOY2016.60+ OI
angular distribution for (n,p*31) proton



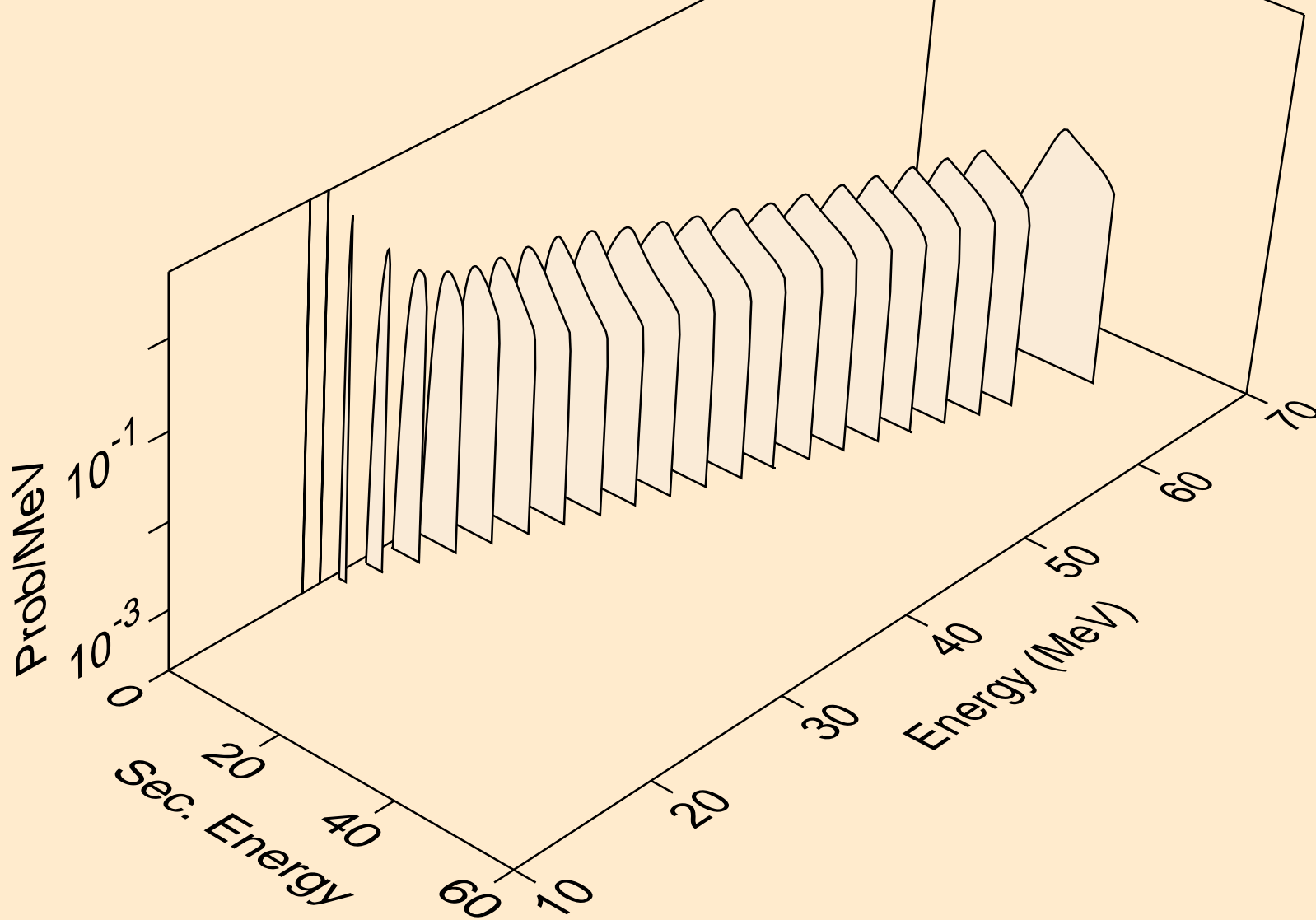
24-CR-52 FOR FENDL-3.2 FROM INDEN-1.0 BY NJOY2016.60+ OI
protons from (n,p*c)



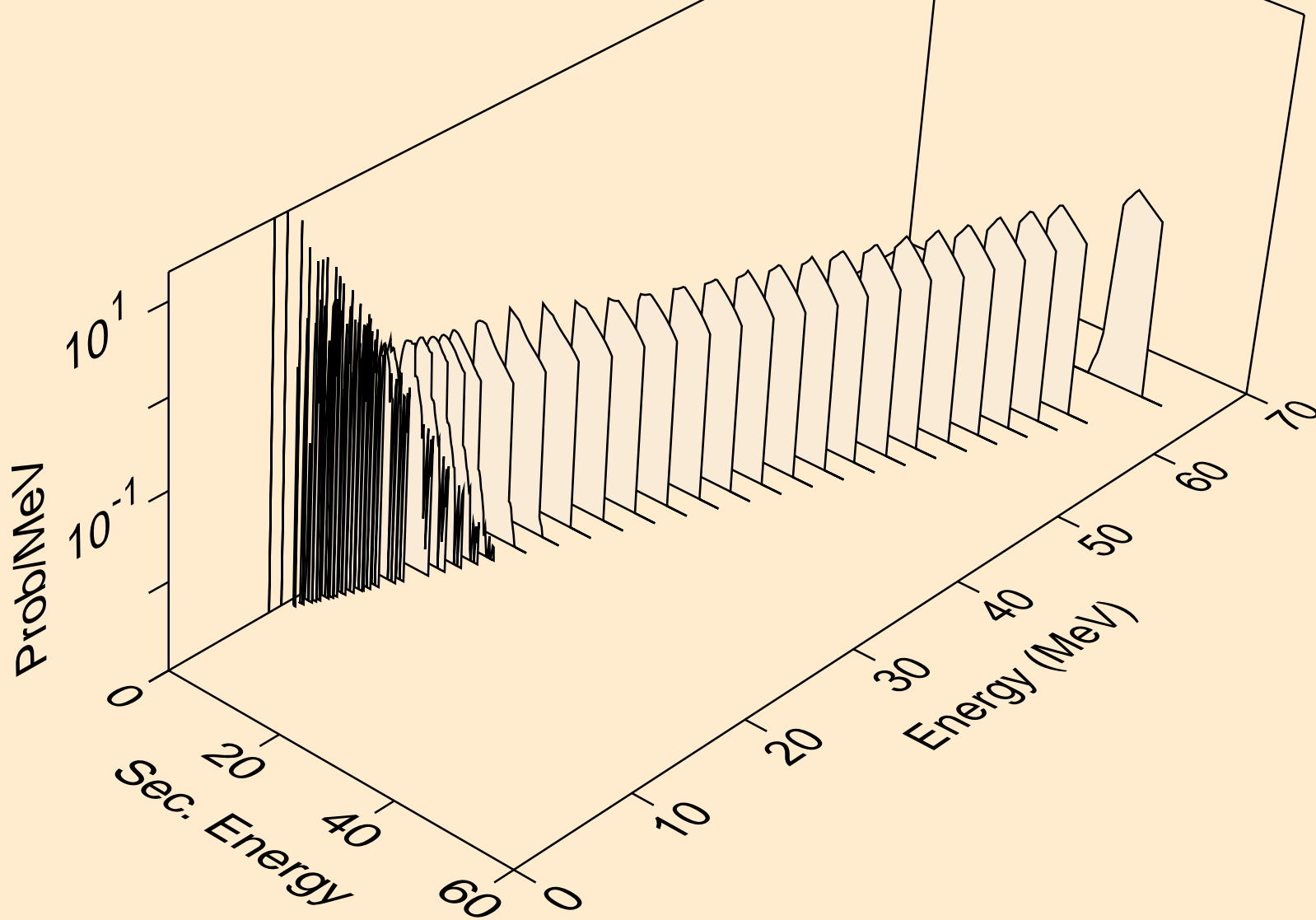
24-CR-52 FOR FENDL-3.2 FROM INDEN-1.0 BY NJOY2016.60+ OI
deuterons from (n,x)



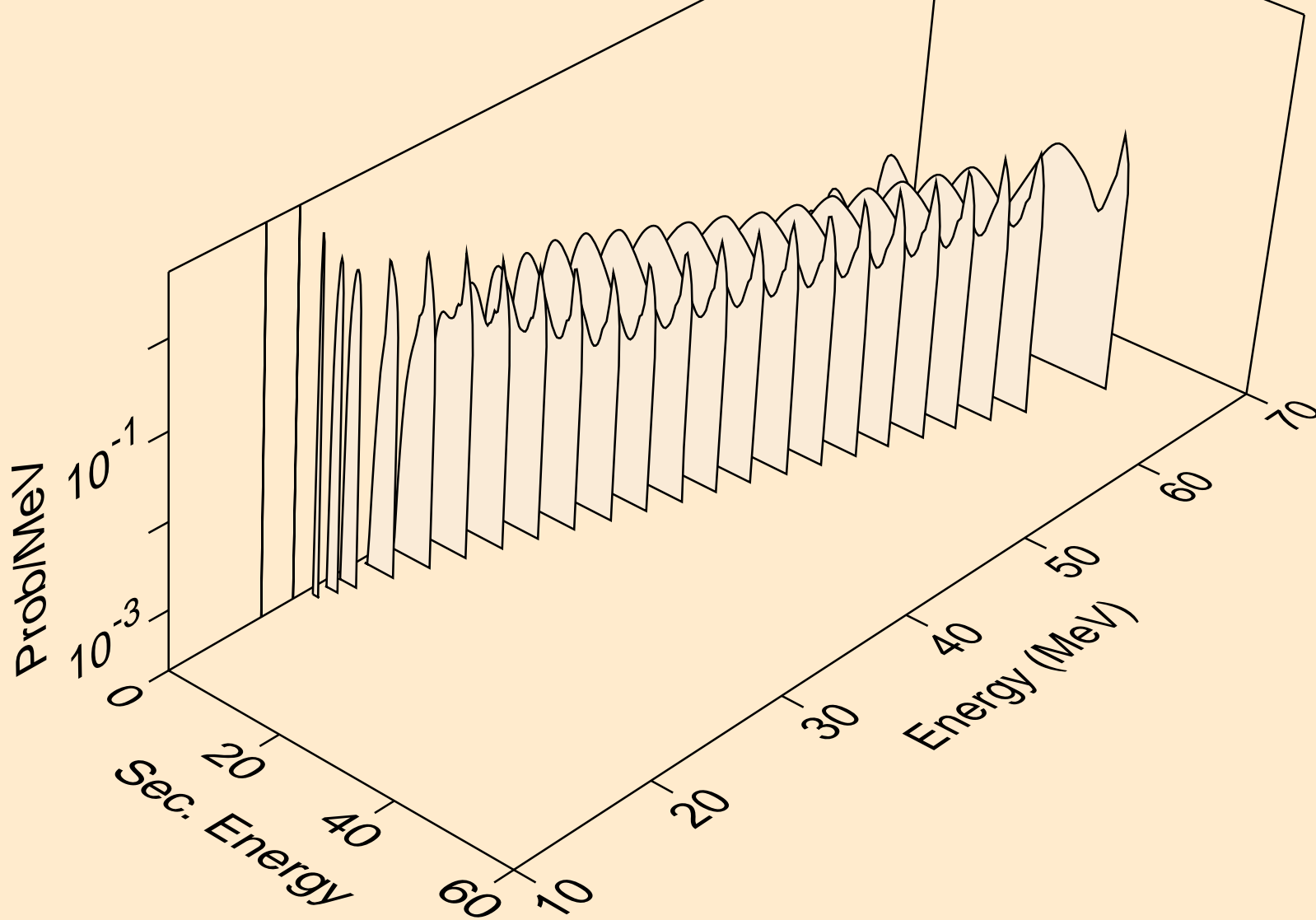
24-CR-52 FOR FENDL-3.2 FROM INDEN-1.0 BY NJOY2016.60+ OI
deuterons from (n,n*)d



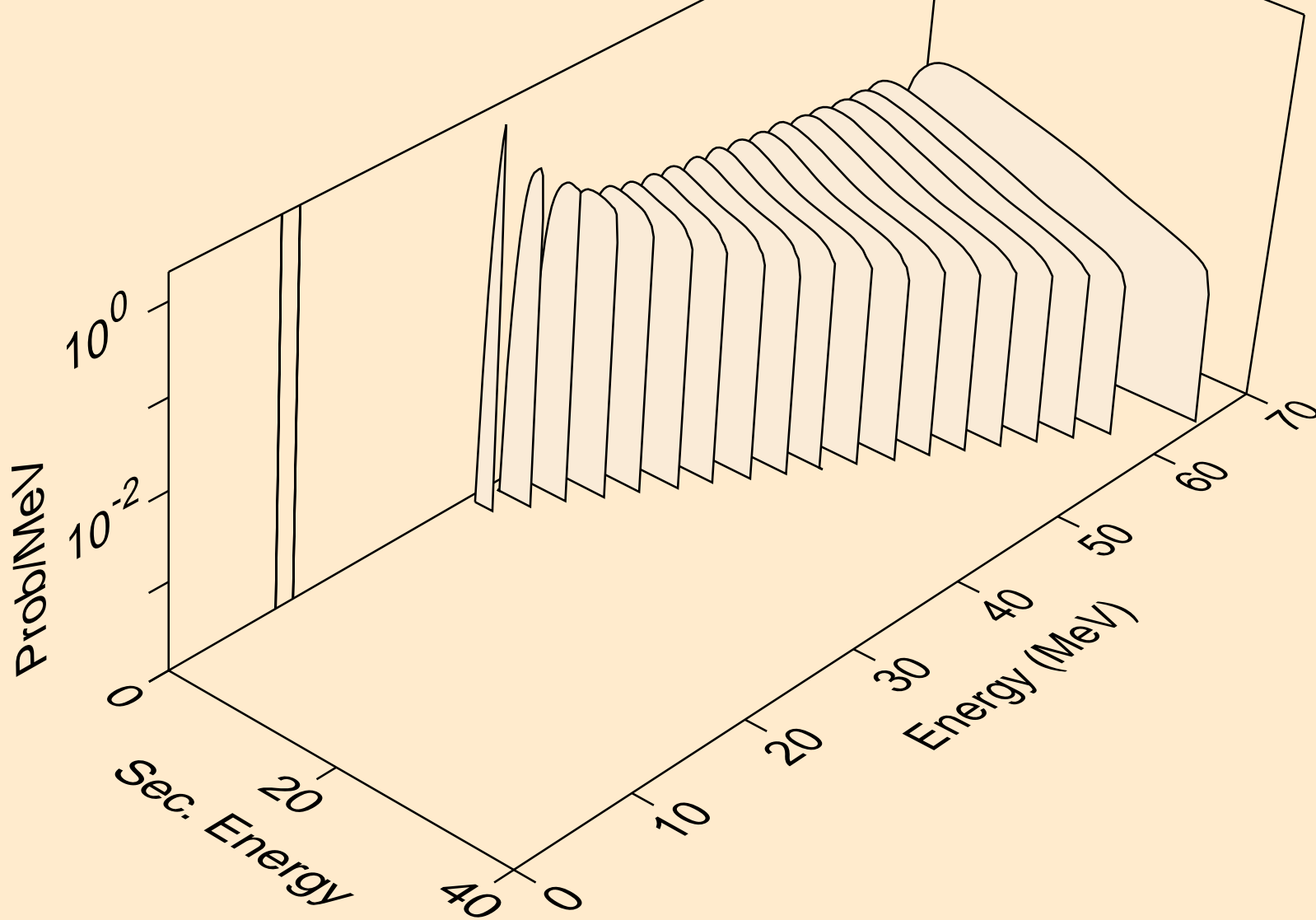
24-CR-52 FOR FENDL-3.2 FROM INDEN-1.0 BY NJOY2016.60+ OI
deuterons from (n,d)



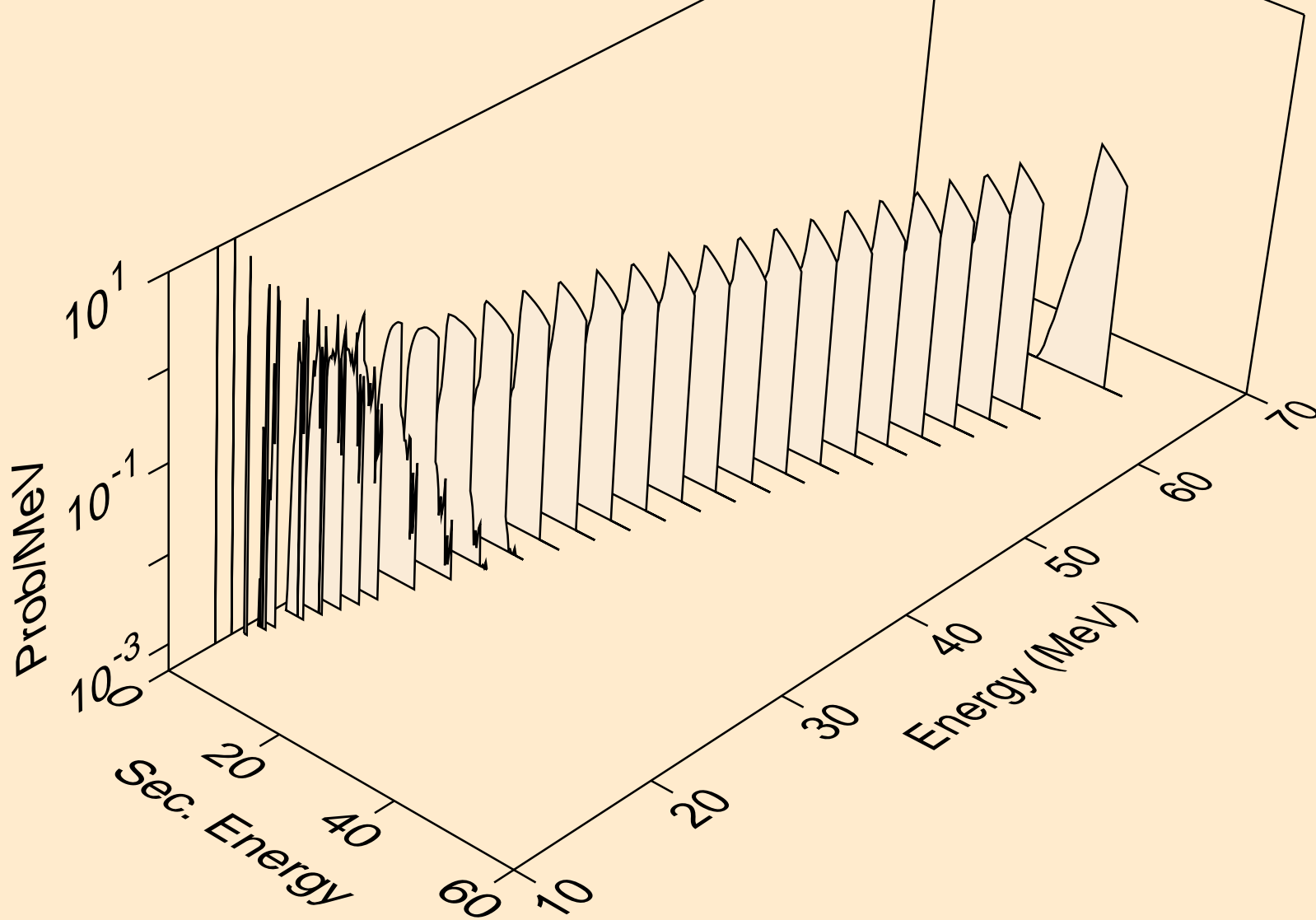
24-CR-52 FOR FENDL-3.2 FROM INDEN-1.0 BY NJOY2016.60+ OI
deuterons from (n,pd)



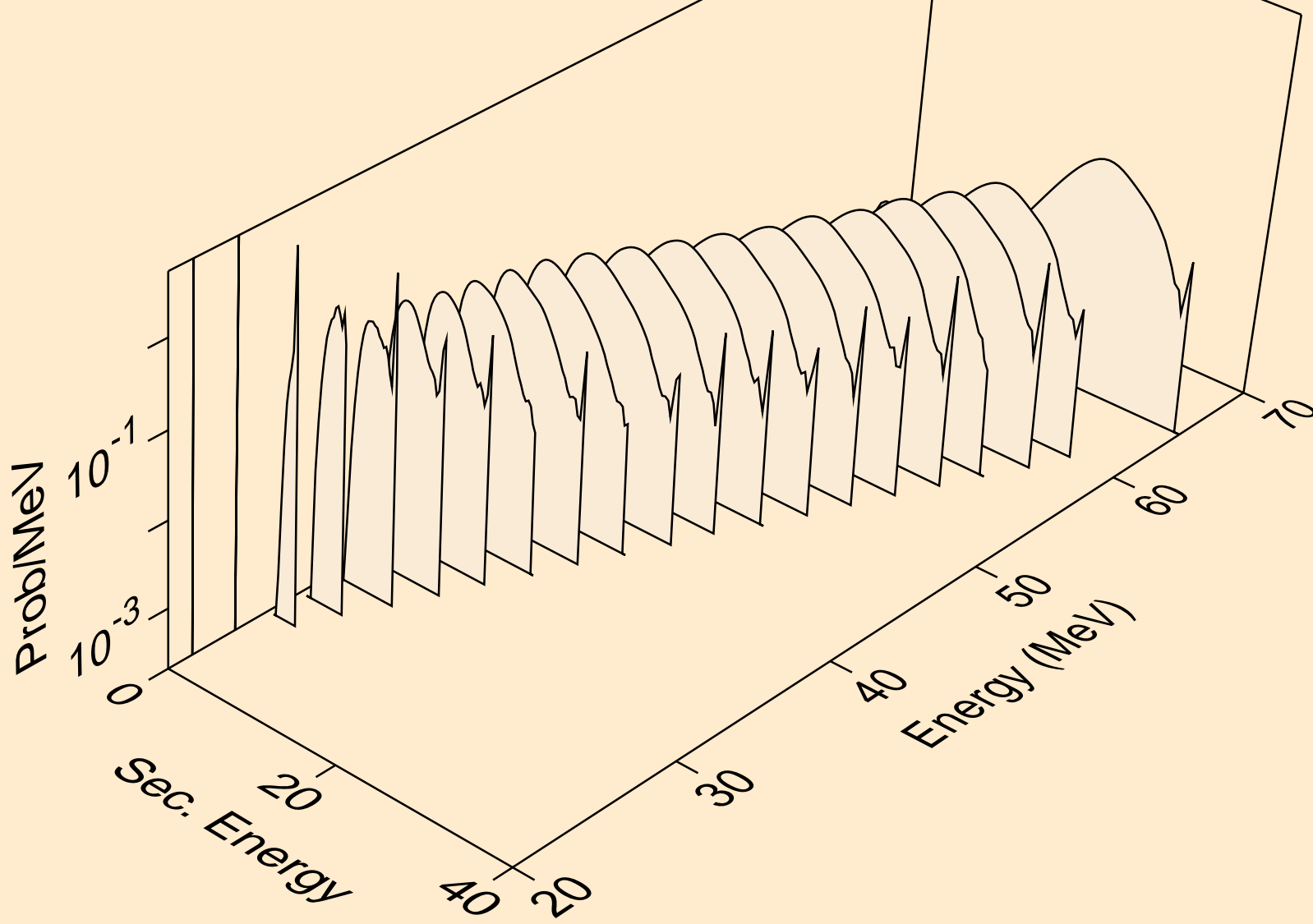
24-CR-52 FOR FENDL-3.2 FROM INDEN-1.0 BY NJOY2016.60+ OI
tritons from (n,x)



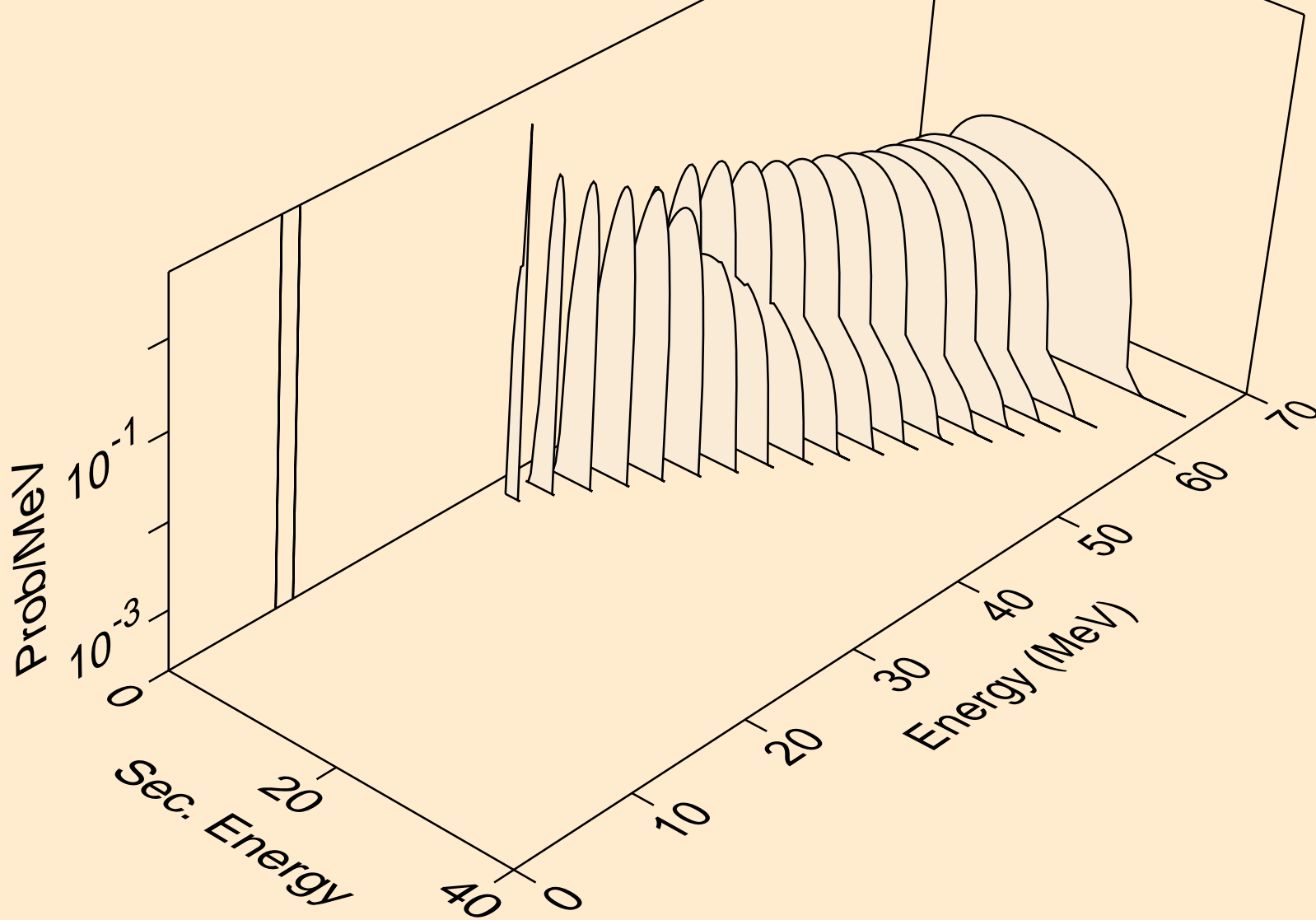
24-CR-52 FOR FENDL-3.2 FROM INDEN-1.0 BY NJOY2016.60+ OI
tritons from (n,t)



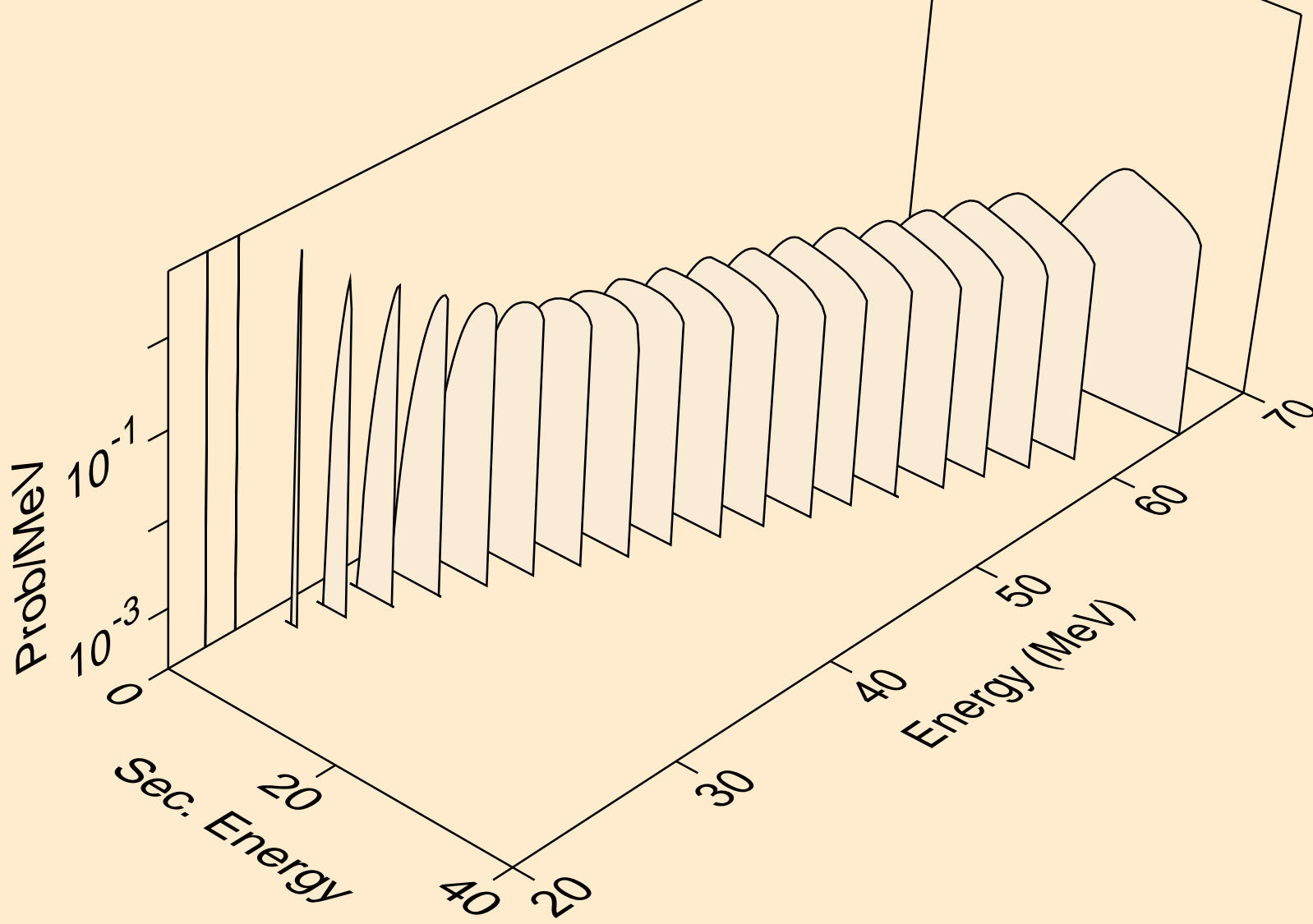
24-CR-52 FOR FENDL-3.2 FROM INDEN-1.0 BY NJOY2016.60+ OI
tritons from (n,pt)



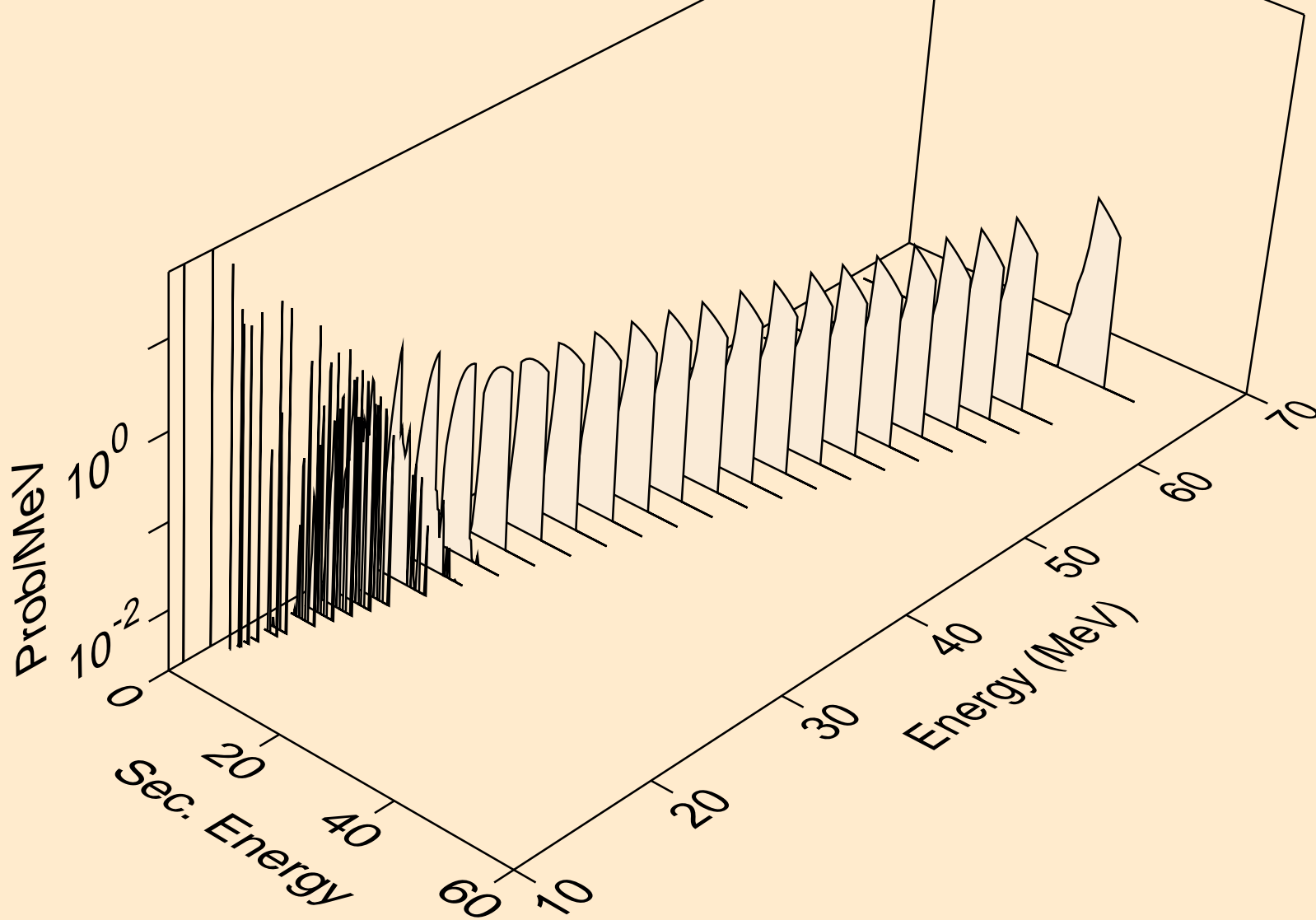
24-CR-52 FOR FENDL-3.2 FROM INDEN-1.0 BY NJOY2016.60+ OI
he3s from (n,x)



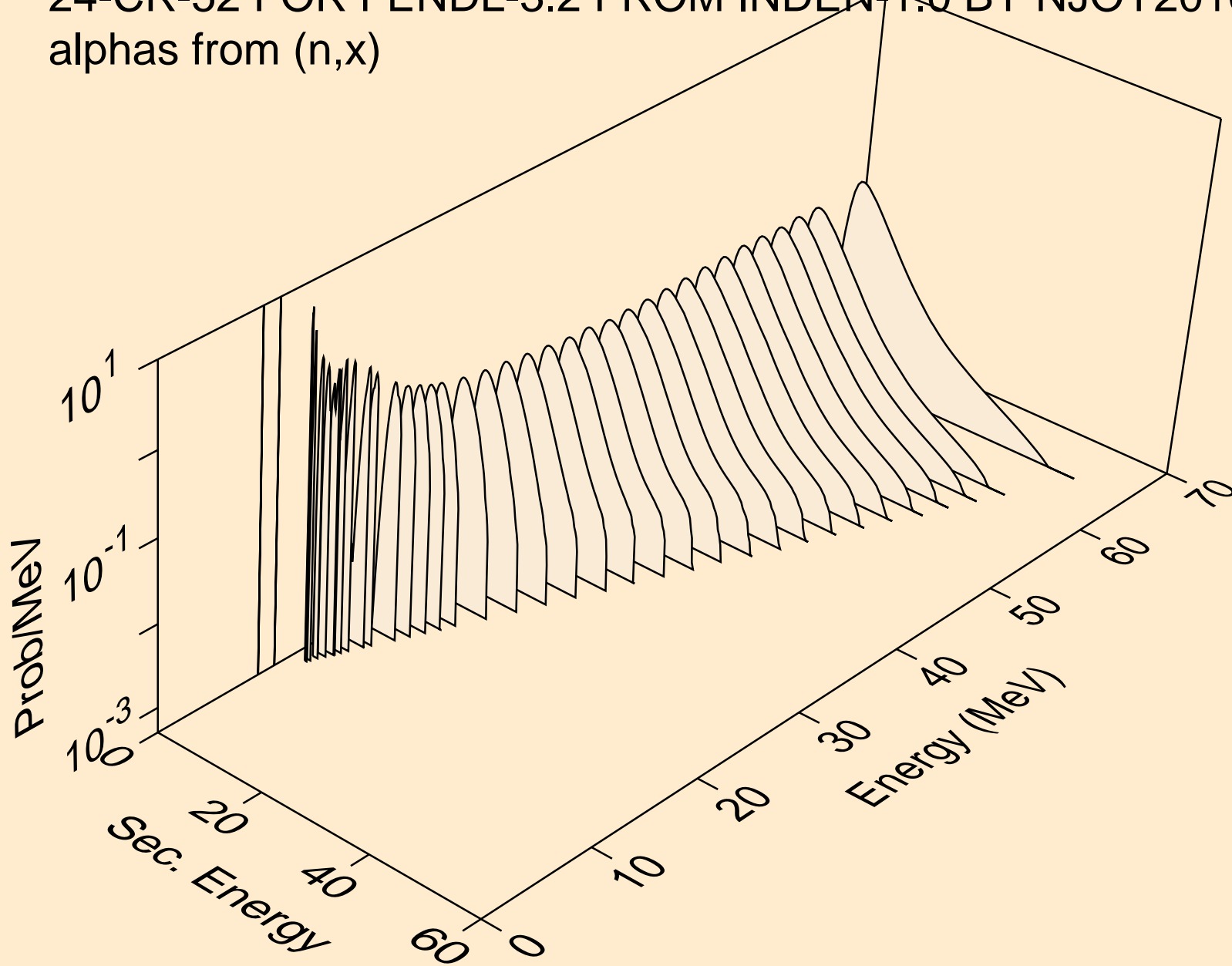
24-CR-52 FOR FENDL-3.2 FROM INDEN-1.0 BY NJOY2016.60+ OI
he3s from (n,n*)he3



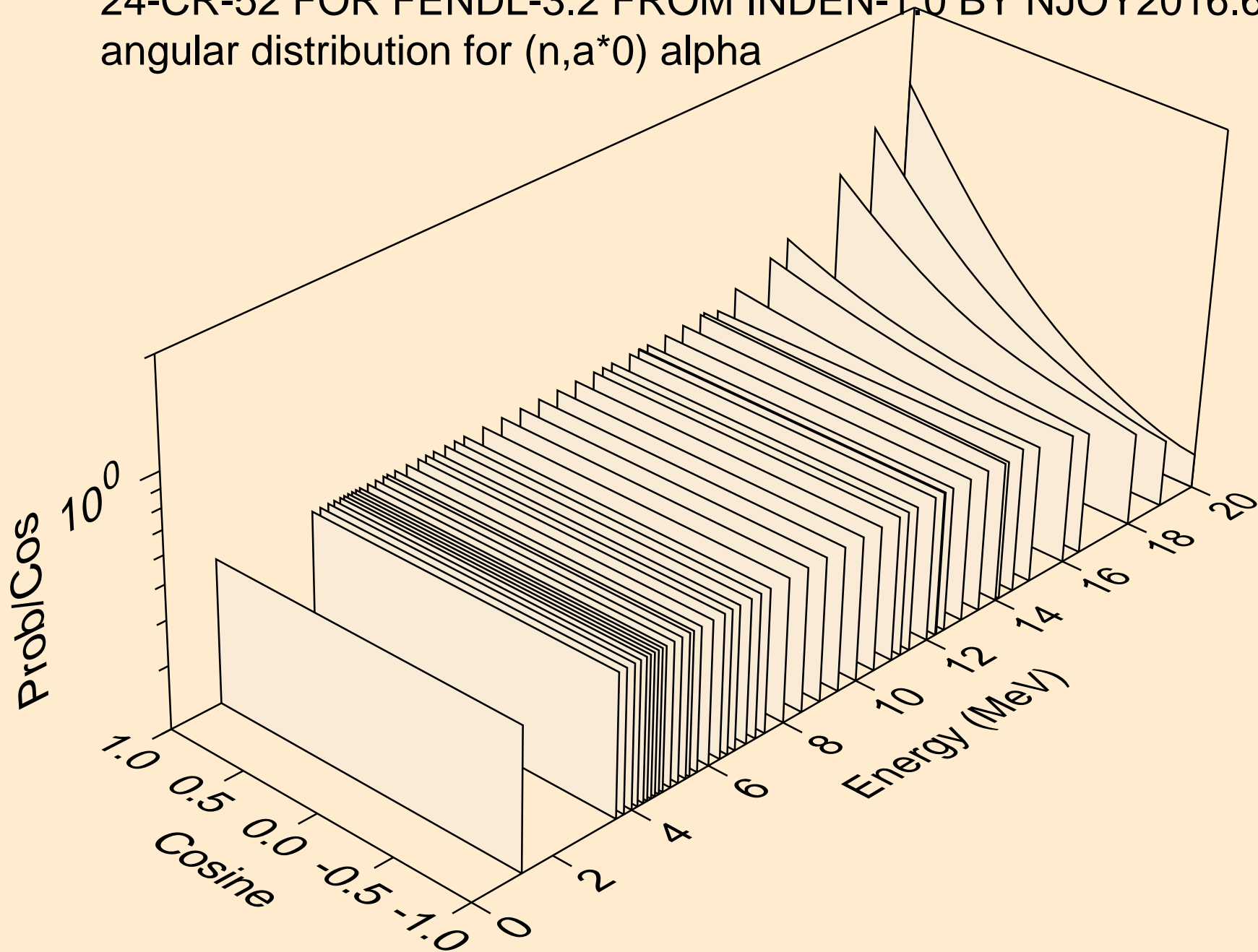
24-CR-52 FOR FENDL-3.2 FROM INDEN-1.0 BY NJOY2016.60+ OI
he3s from (n,he3)



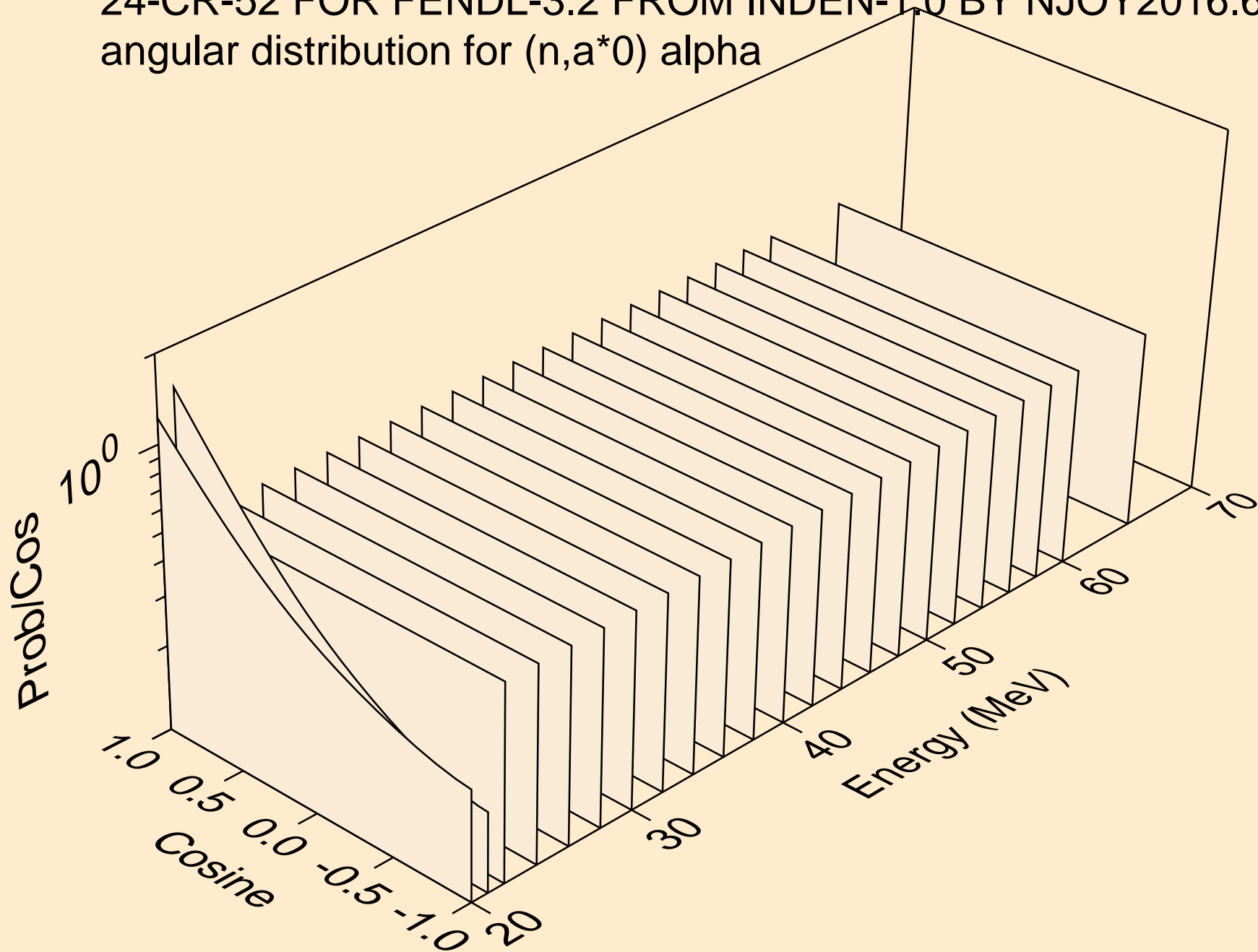
24-CR-52 FOR FENDL-3.2 FROM INDEN-1.0 BY NJOY2016.60+ OI
alphas from (n,x)



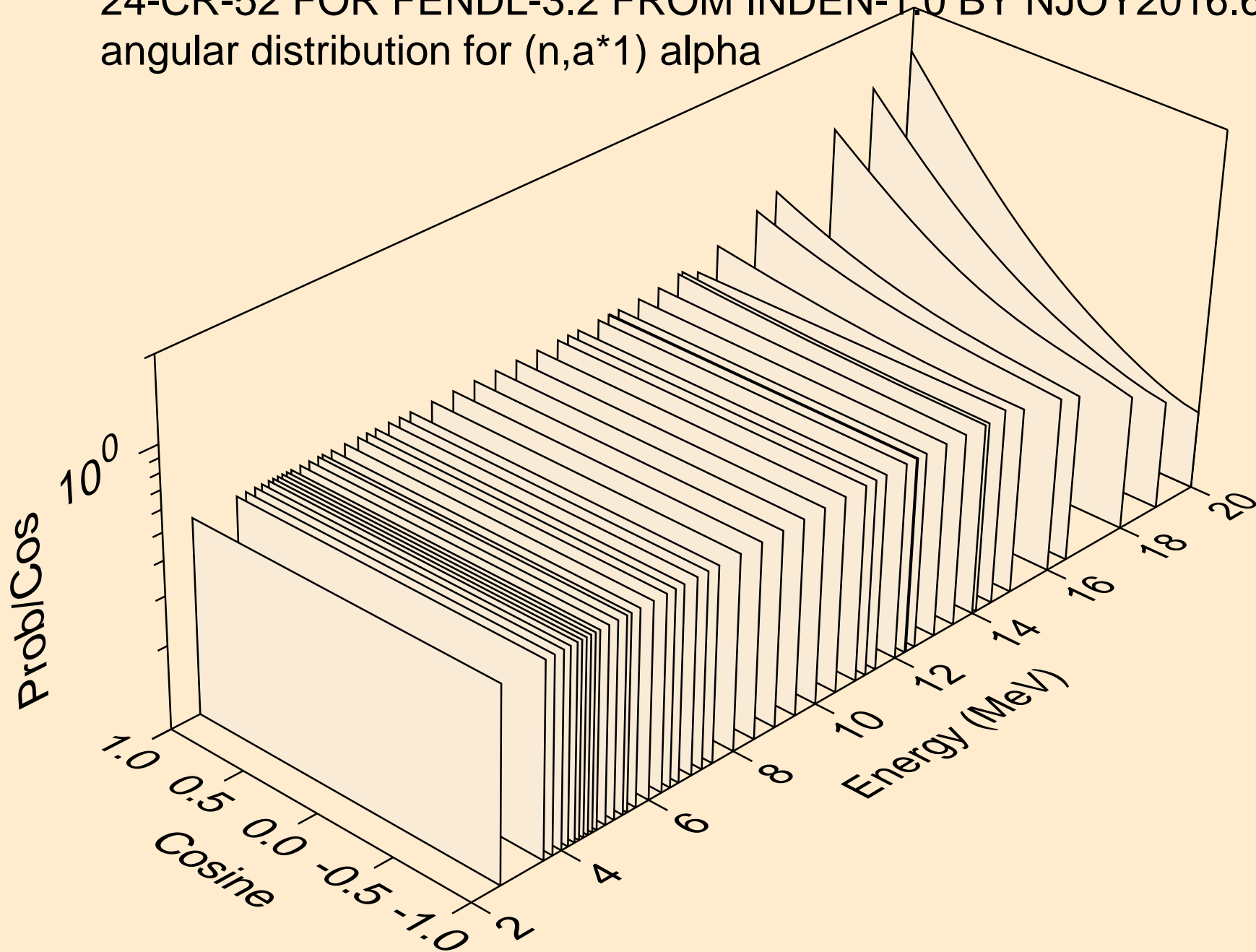
24-CR-52 FOR FENDL-3.2 FROM INDEN-1.0 BY NJOY2016.60+ OI
angular distribution for (n,a*0) alpha



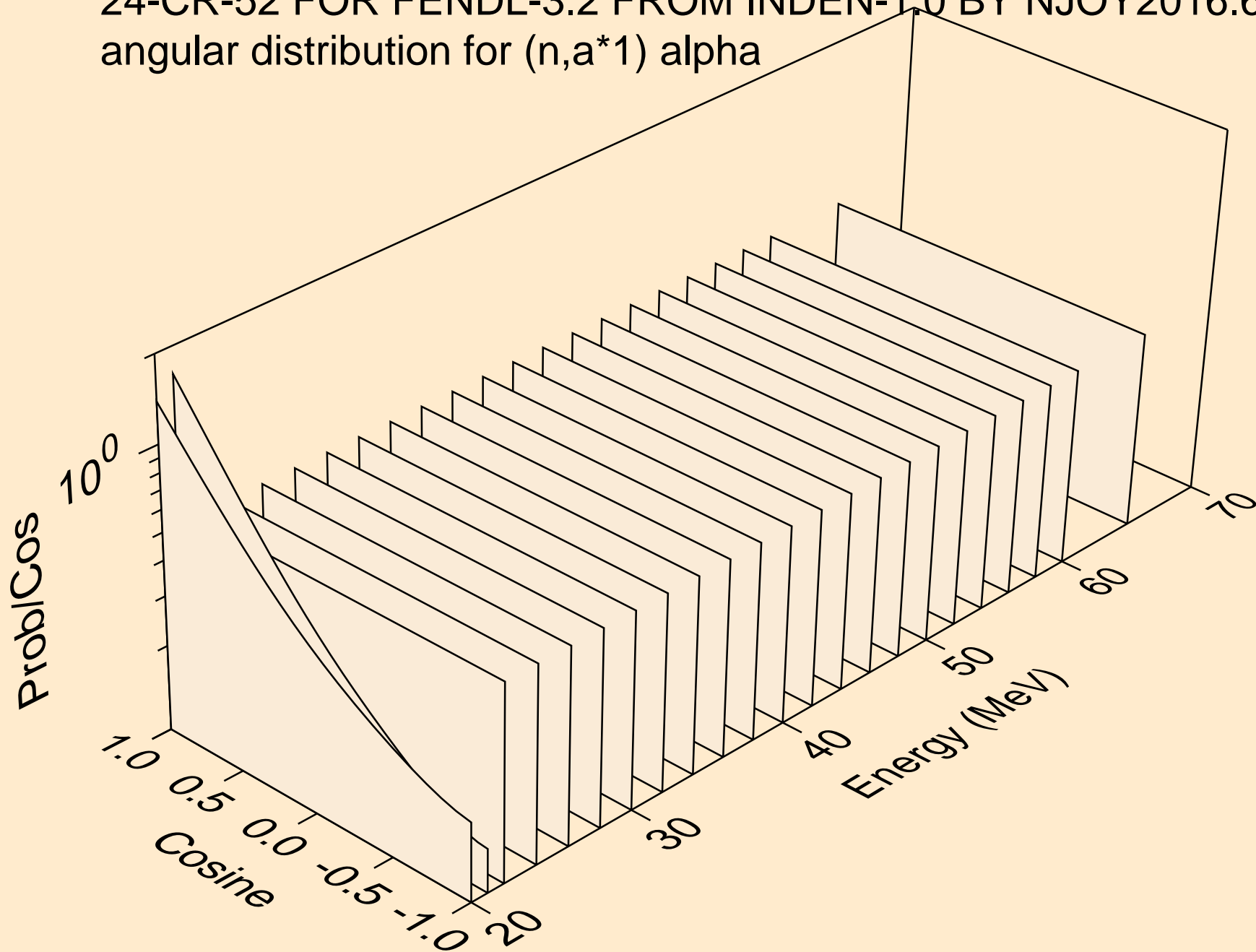
24-CR-52 FOR FENDL-3.2 FROM INDEN-1.0 BY NJOY2016.60+ OI
angular distribution for (n,a*0) alpha



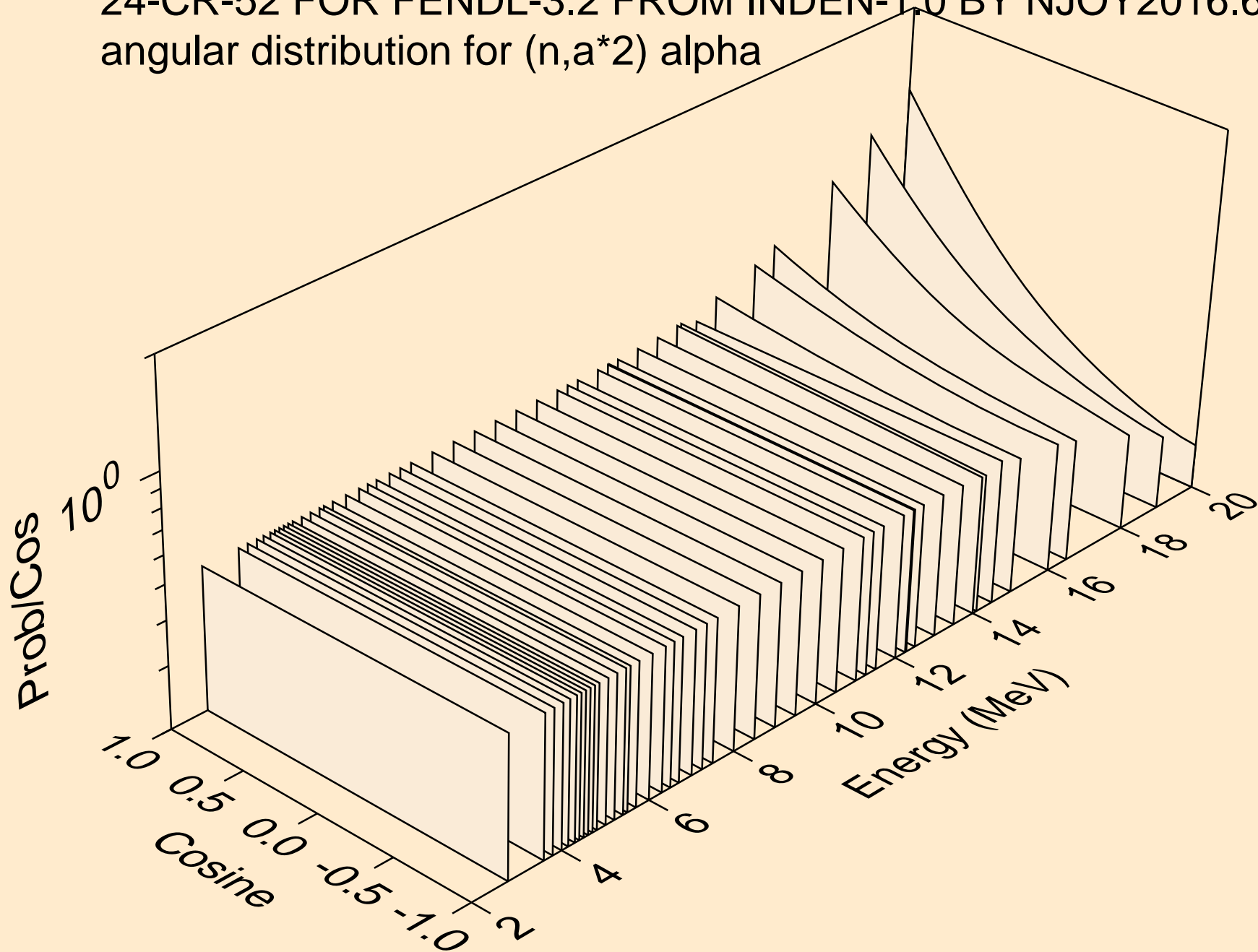
24-CR-52 FOR FENDL-3.2 FROM INDEN-1.0 BY NJOY2016.60+ OI
angular distribution for (n,a*1) alpha



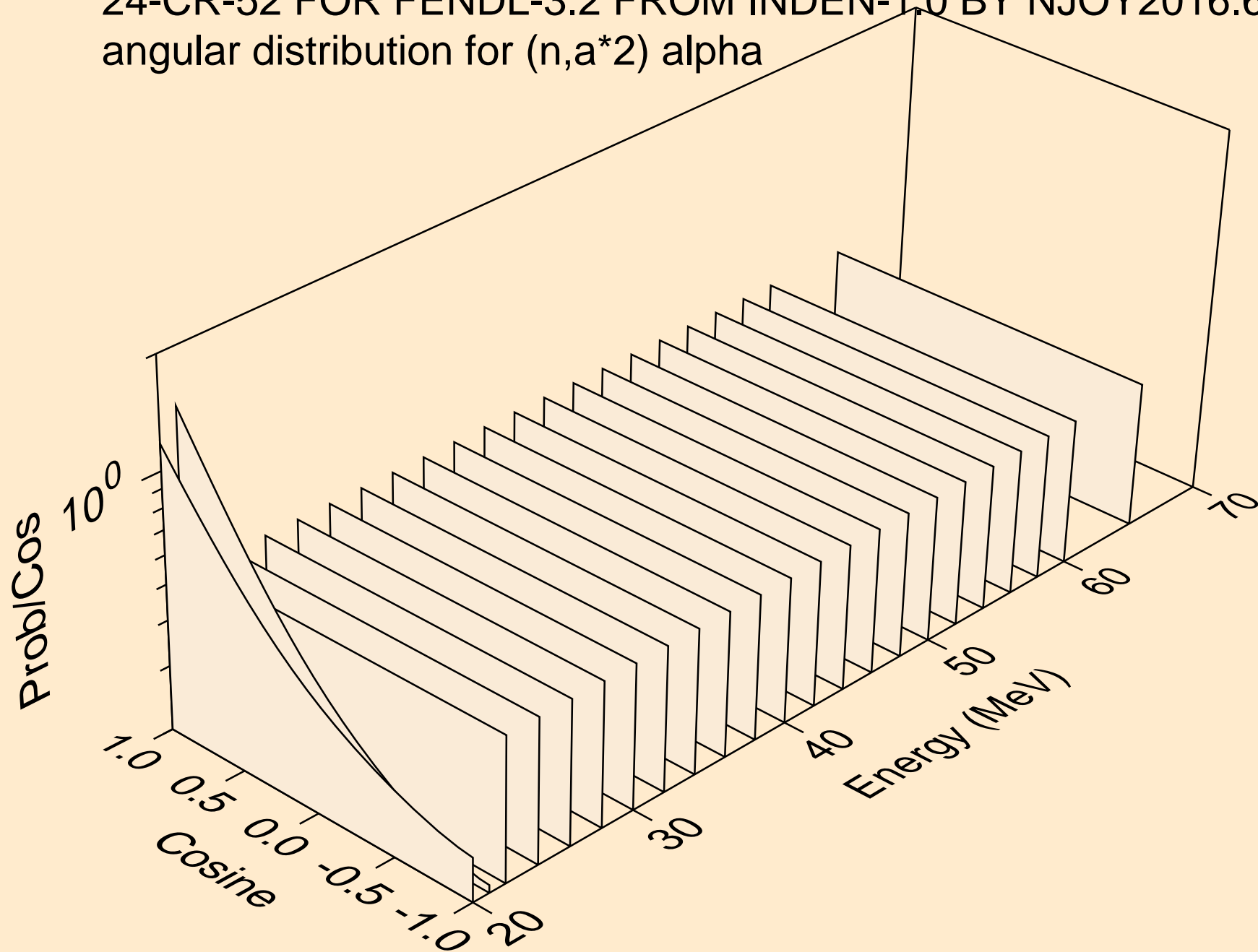
24-CR-52 FOR FENDL-3.2 FROM INDEN-1.0 BY NJOY2016.60+ OI
angular distribution for (n,a*1) alpha



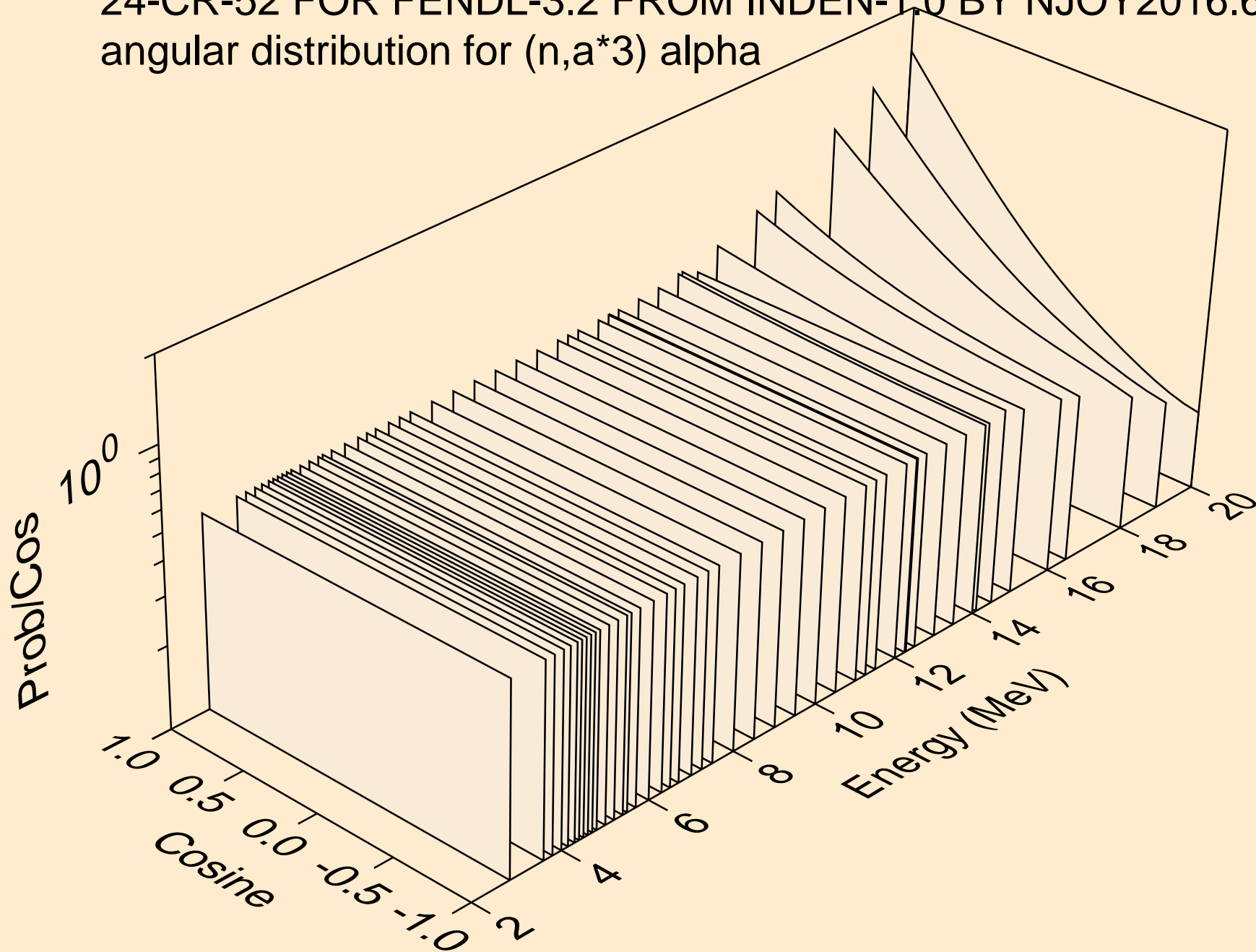
24-CR-52 FOR FENDL-3.2 FROM INDEN-1.0 BY NJOY2016.60+ OI
angular distribution for (n,a*2) alpha



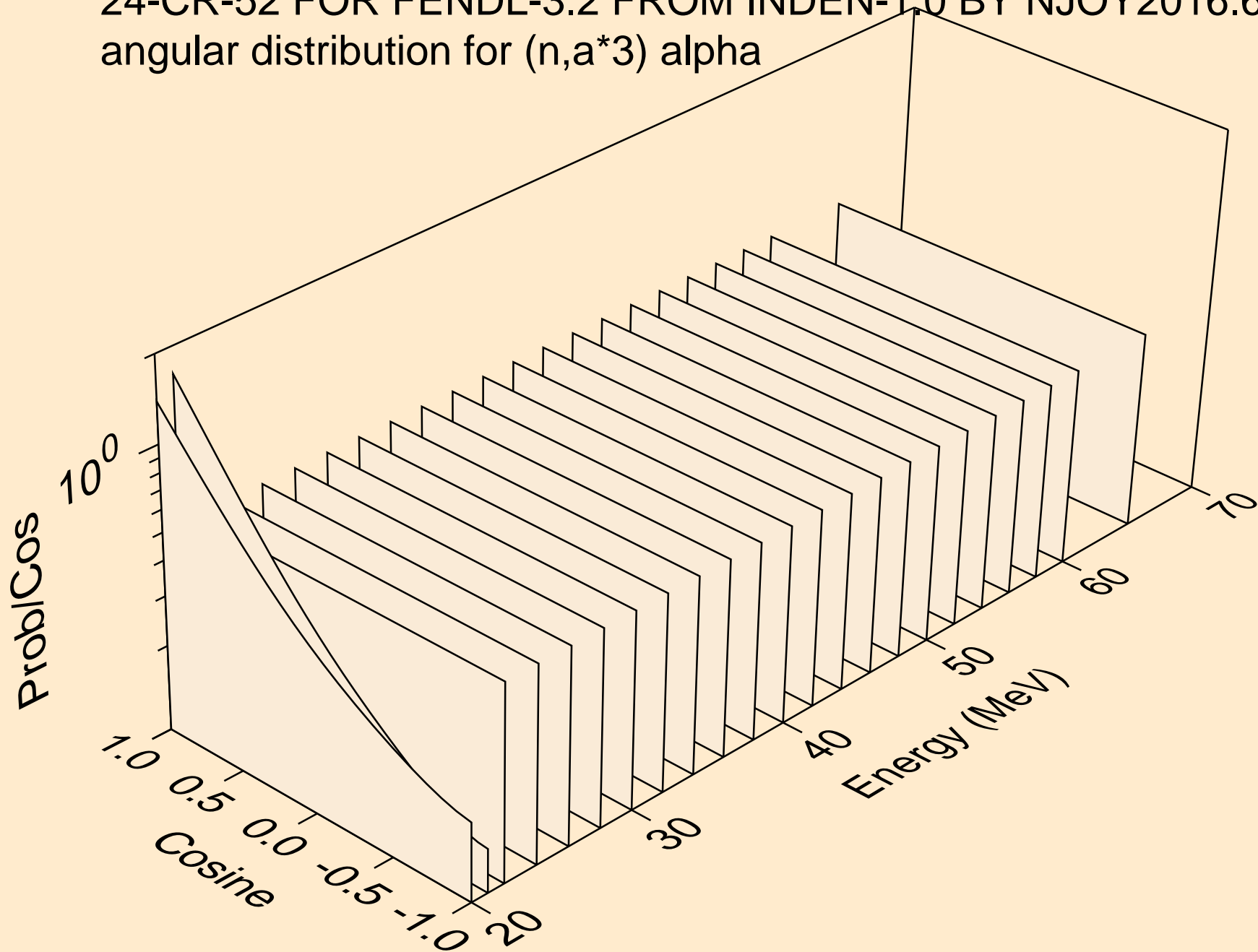
24-CR-52 FOR FENDL-3.2 FROM INDEN-1.0 BY NJOY2016.60+ OI
angular distribution for (n,a*2) alpha



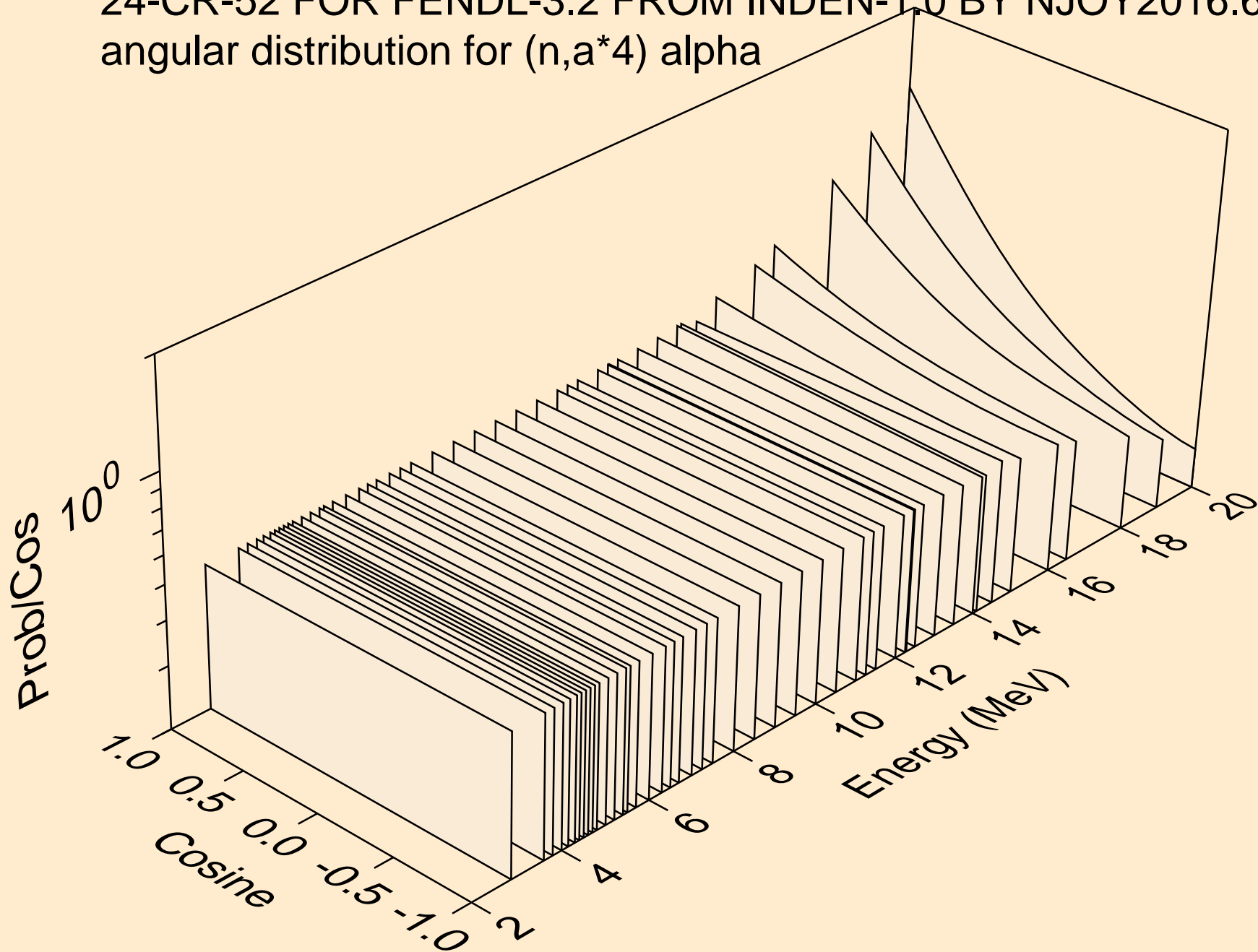
24-CR-52 FOR FENDL-3.2 FROM INDEN-1.0 BY NJOY2016.60+ OI
angular distribution for (n,a*3) alpha



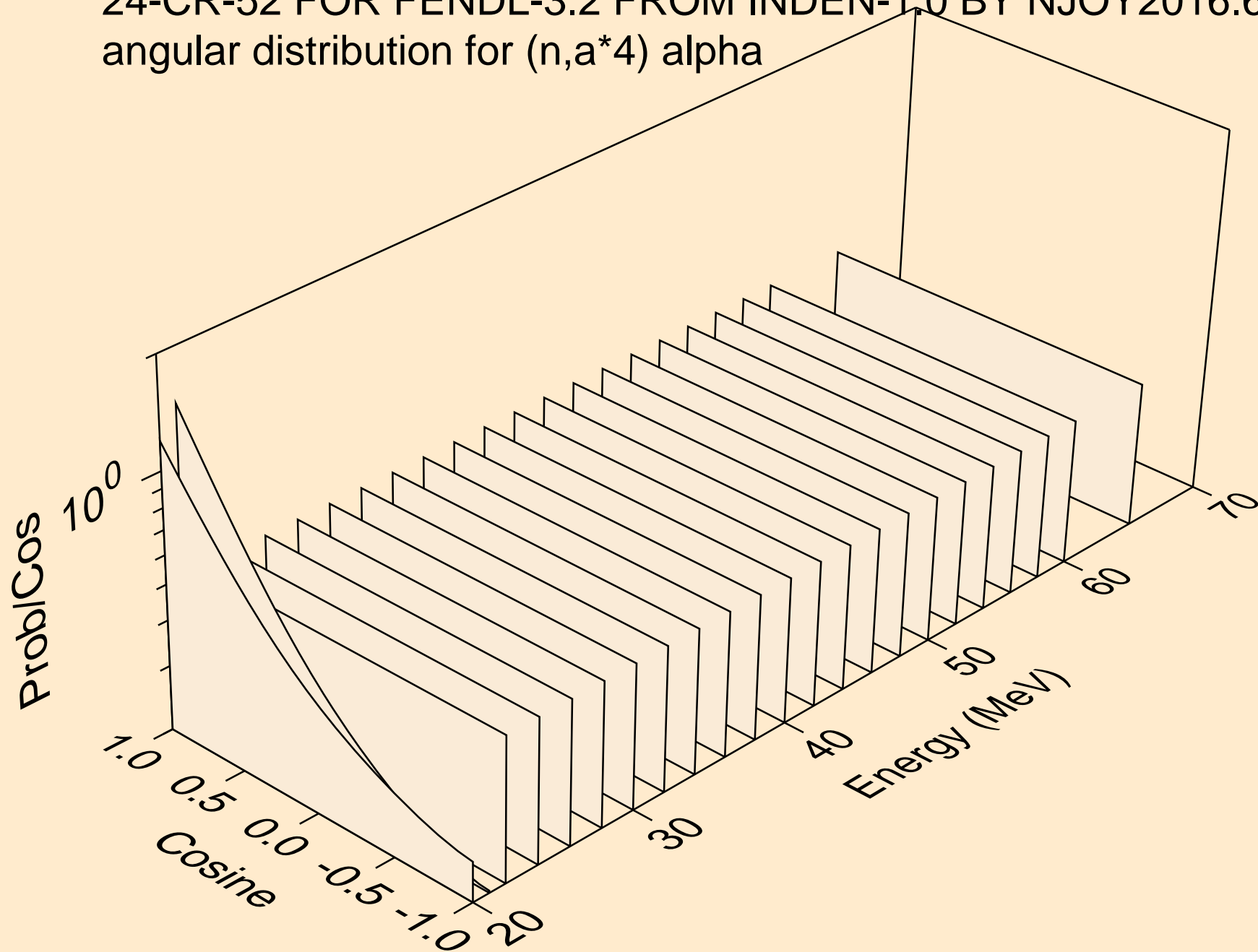
24-CR-52 FOR FENDL-3.2 FROM INDEN-1.0 BY NJOY2016.60+ OI
angular distribution for (n,a*3) alpha



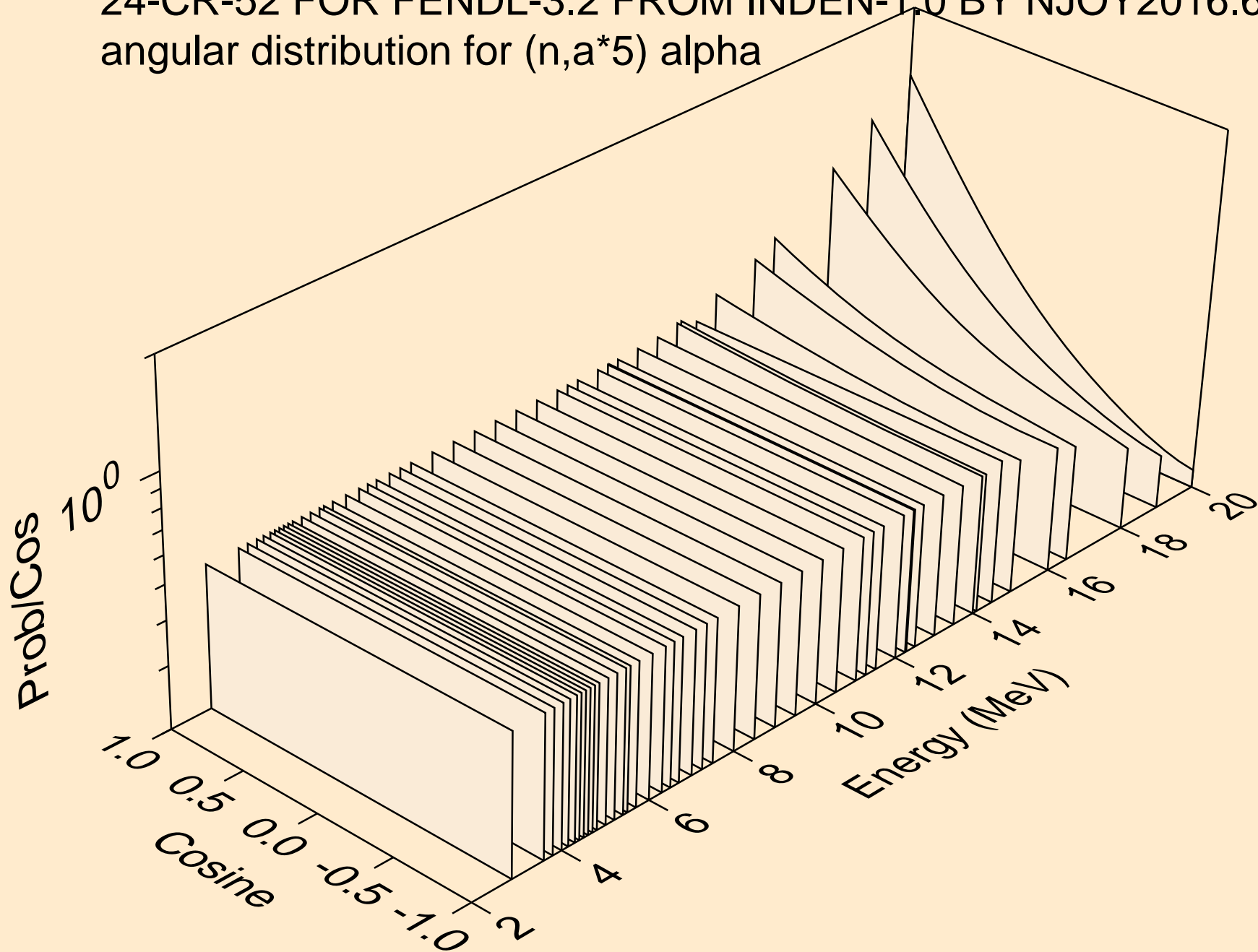
24-CR-52 FOR FENDL-3.2 FROM INDEN-1.0 BY NJOY2016.60+ OI
angular distribution for (n,a*4) alpha



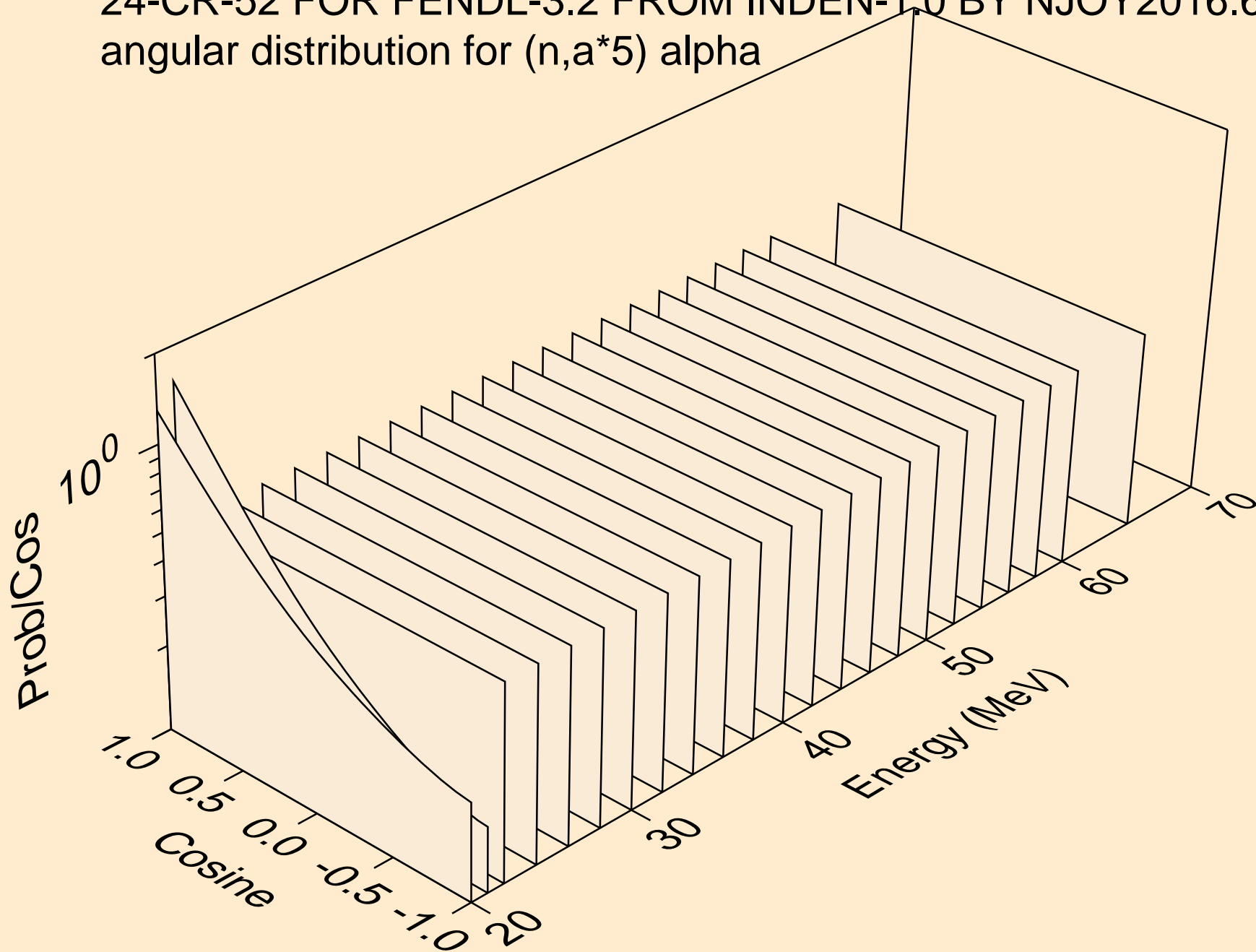
24-CR-52 FOR FENDL-3.2 FROM INDEN-1.0 BY NJOY2016.60+ OI
angular distribution for (n,a*4) alpha



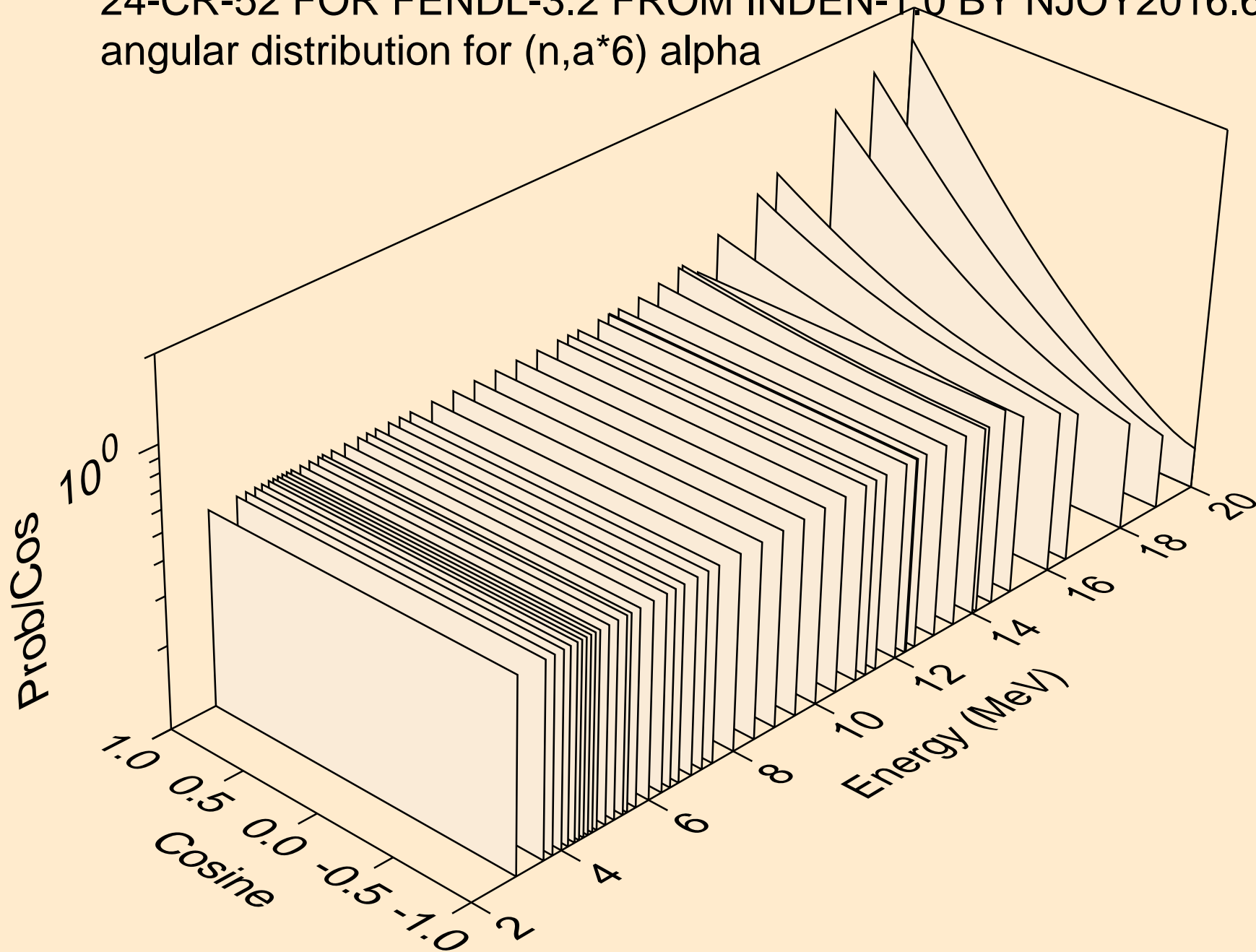
24-CR-52 FOR FENDL-3.2 FROM INDEN-1.0 BY NJOY2016.60+ OI
angular distribution for (n,a*5) alpha



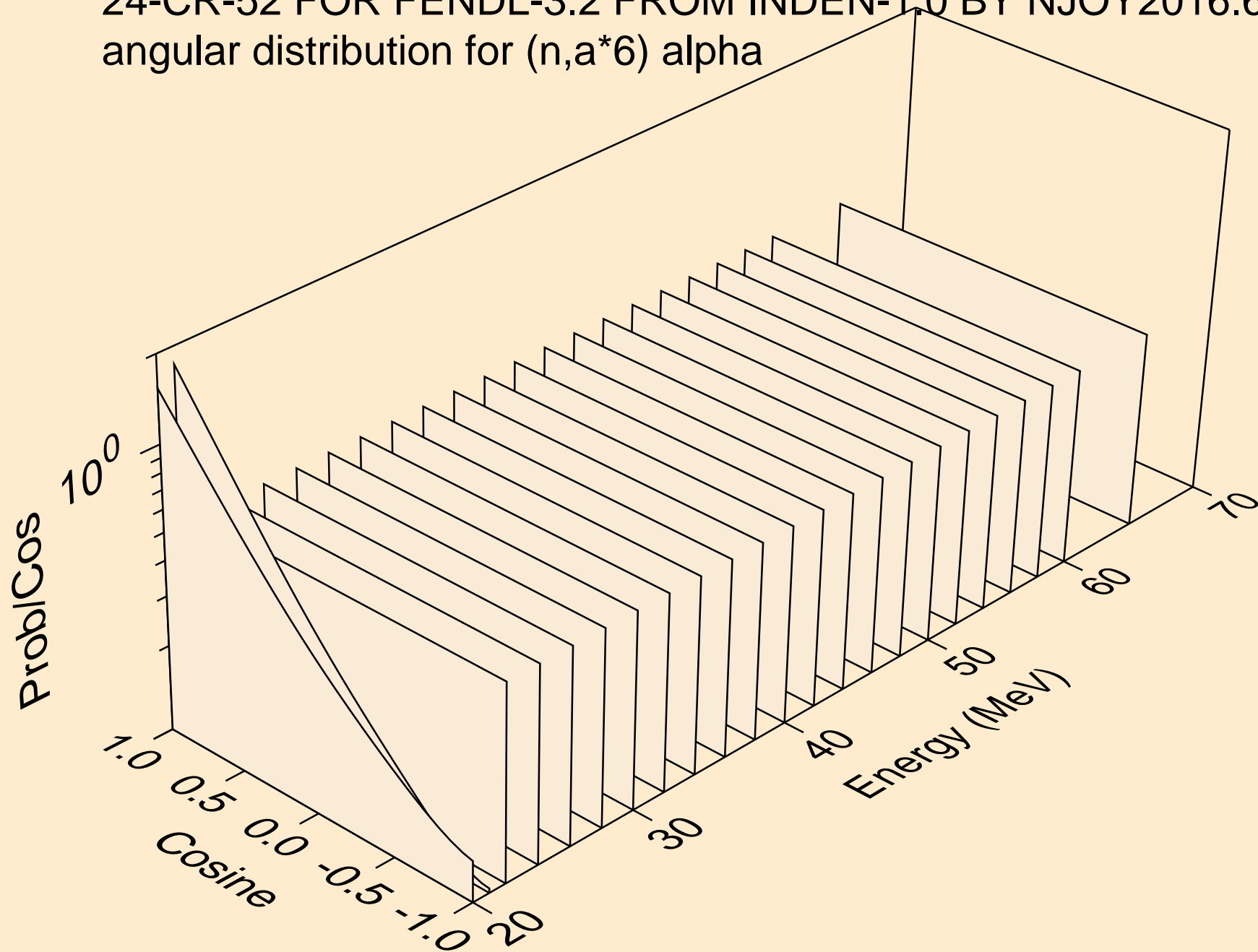
24-CR-52 FOR FENDL-3.2 FROM INDEN-1.0 BY NJOY2016.60+ OI
angular distribution for (n,a*5) alpha



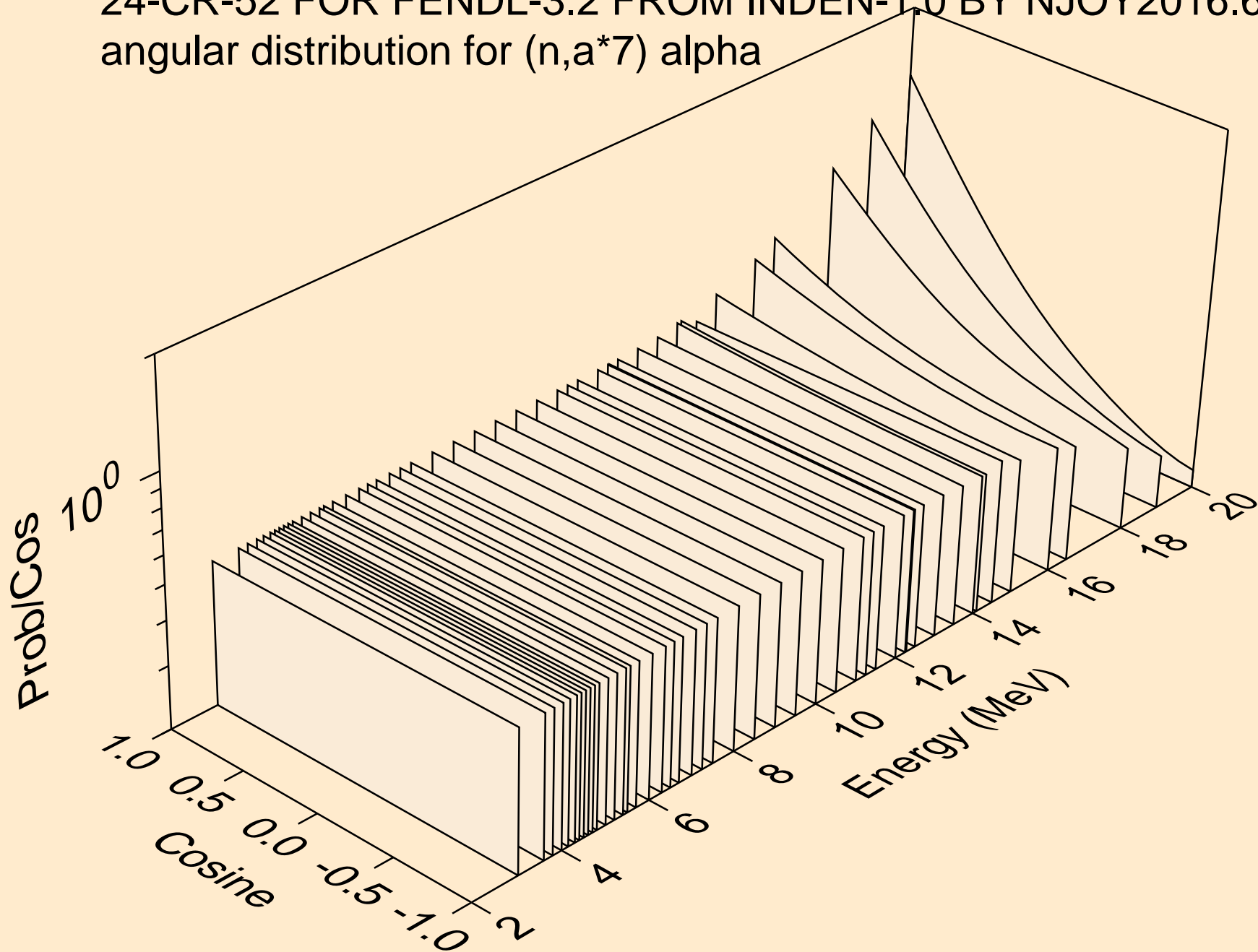
24-CR-52 FOR FENDL-3.2 FROM INDEN-1.0 BY NJOY2016.60+ OI
angular distribution for (n,a*6) alpha



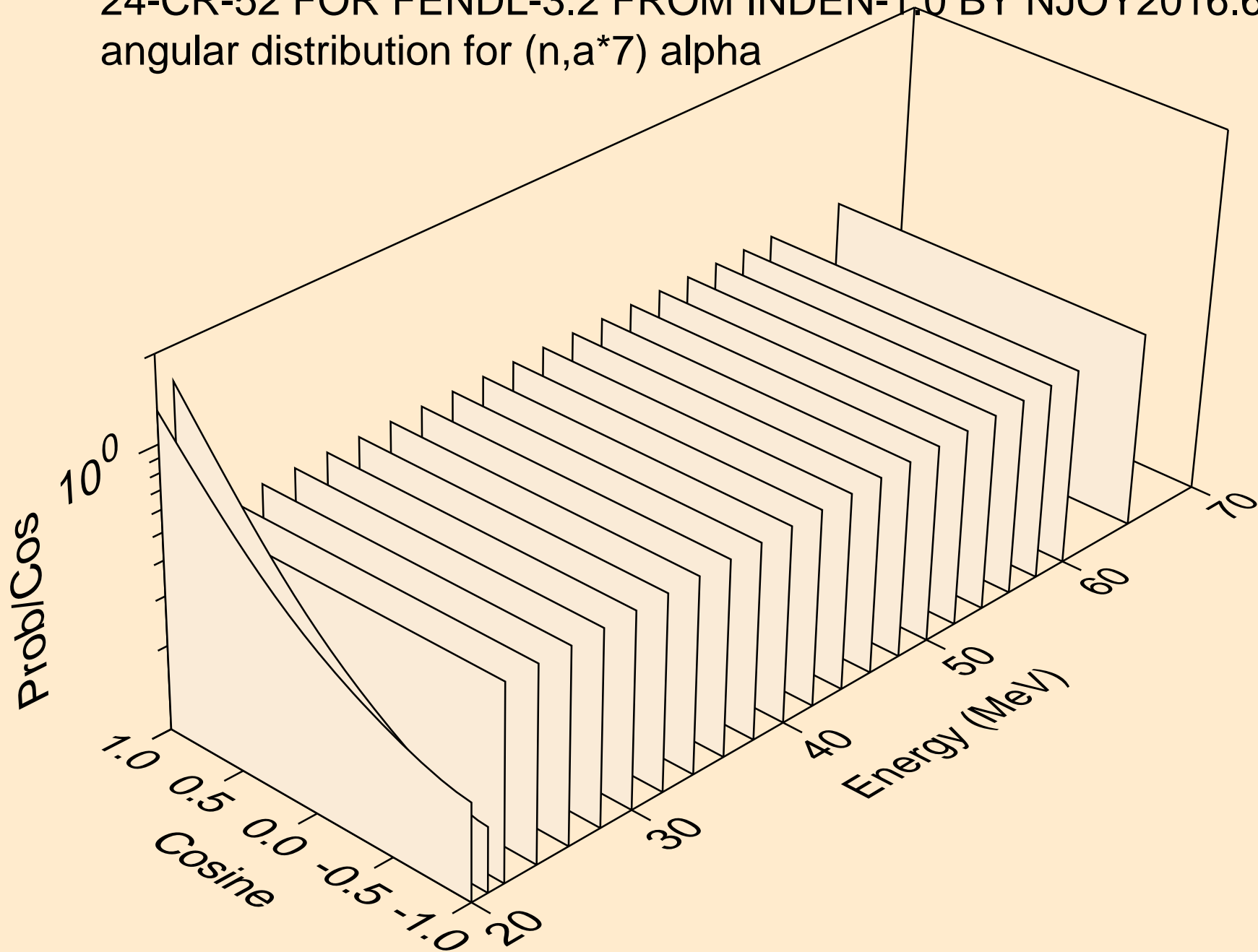
24-CR-52 FOR FENDL-3.2 FROM INDEN-1.0 BY NJOY2016.60+ OI
angular distribution for (n,a*6) alpha



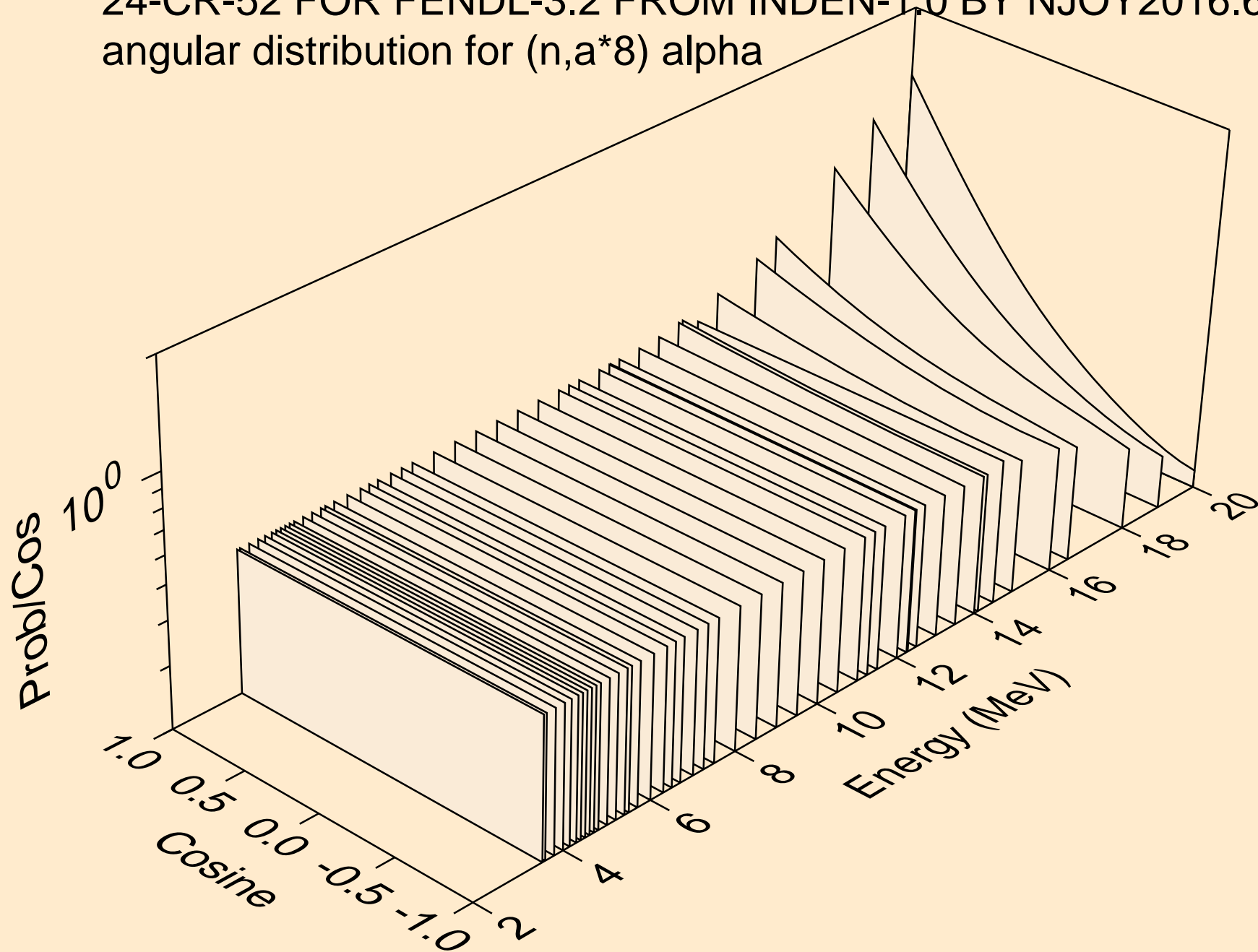
24-CR-52 FOR FENDL-3.2 FROM INDEN-1.0 BY NJOY2016.60+ OI
angular distribution for (n,a*7) alpha



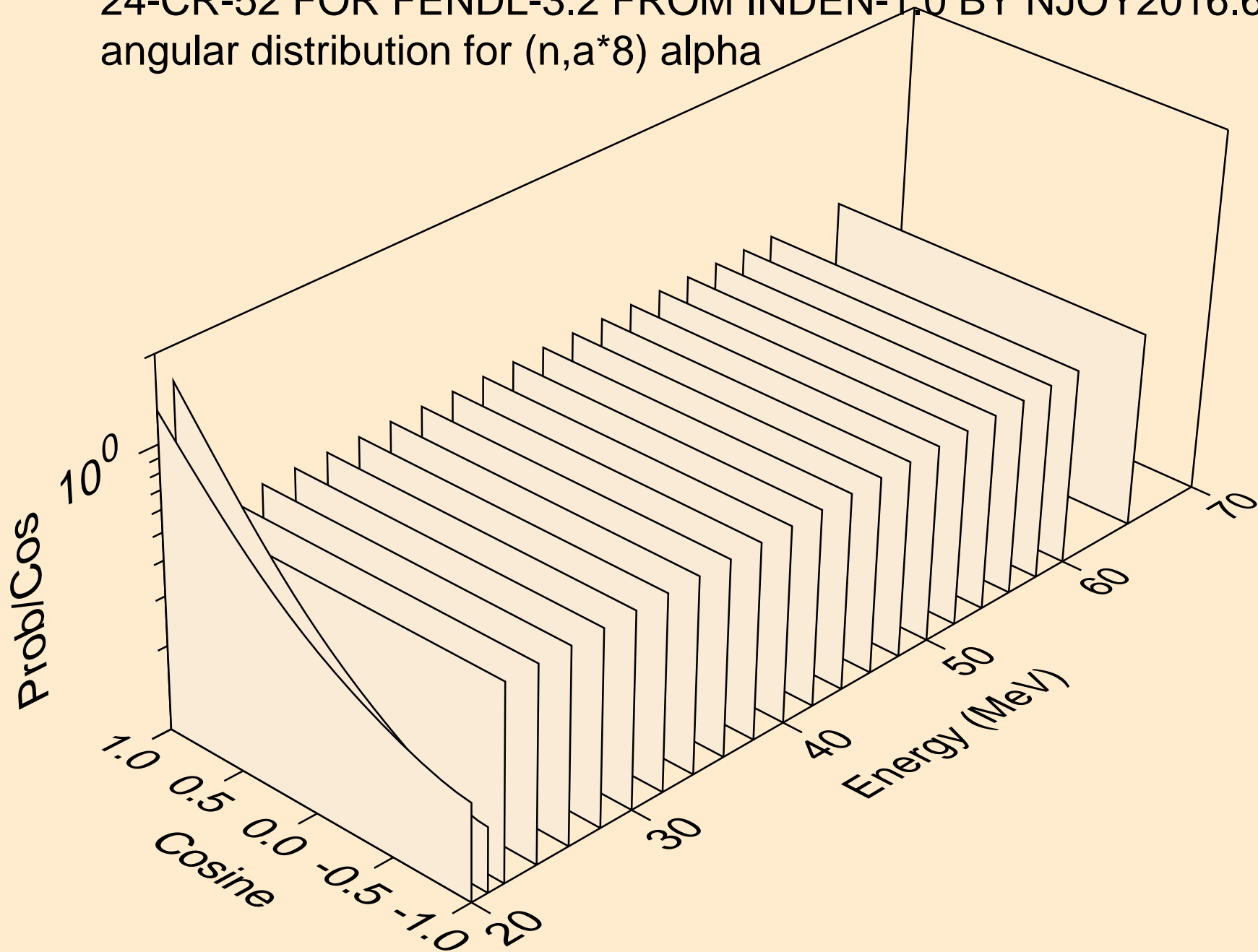
24-CR-52 FOR FENDL-3.2 FROM INDEN-1.0 BY NJOY2016.60+ OI
angular distribution for (n,a*7) alpha



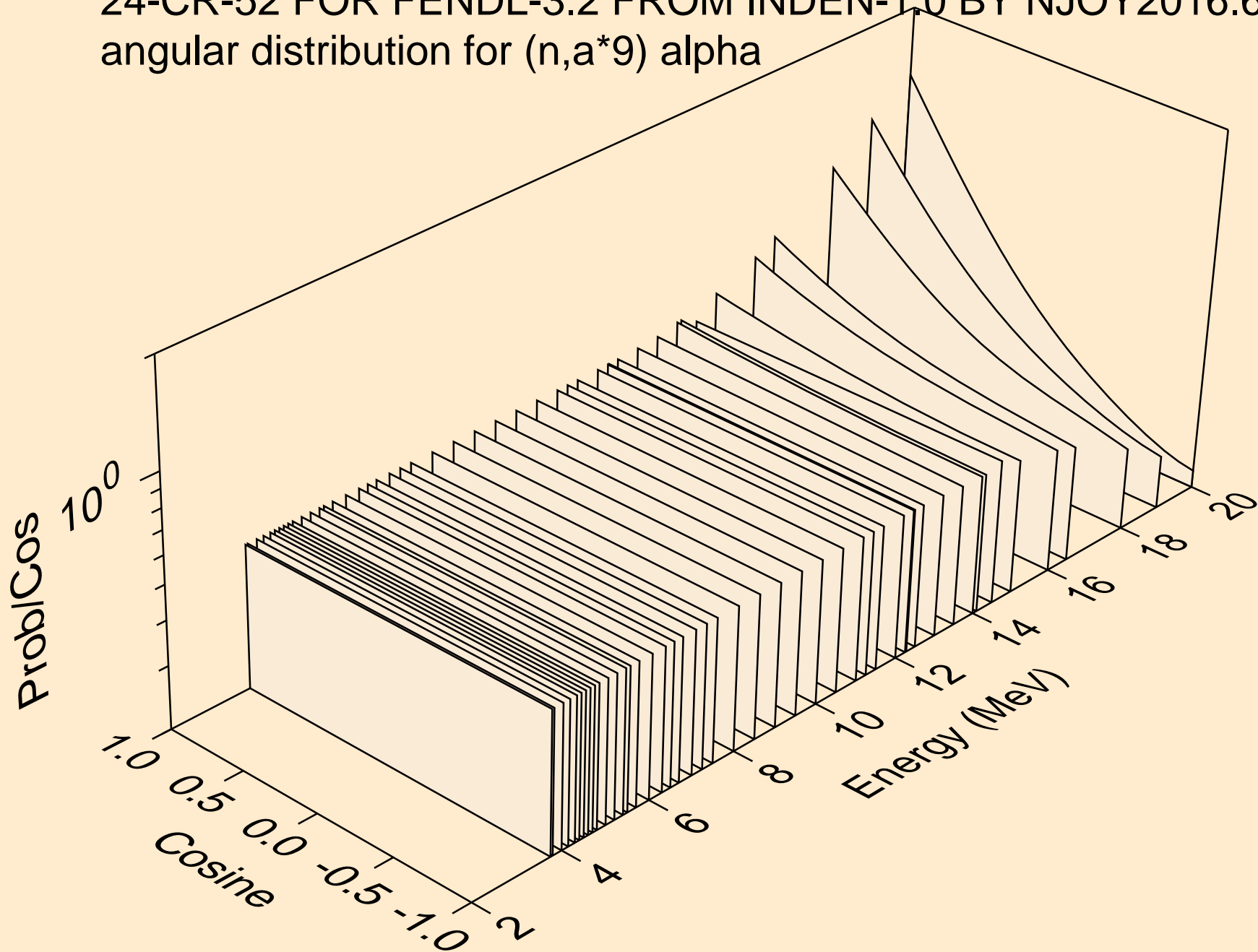
24-CR-52 FOR FENDL-3.2 FROM INDEN-1.0 BY NJOY2016.60+ OI
angular distribution for (n,a*8) alpha



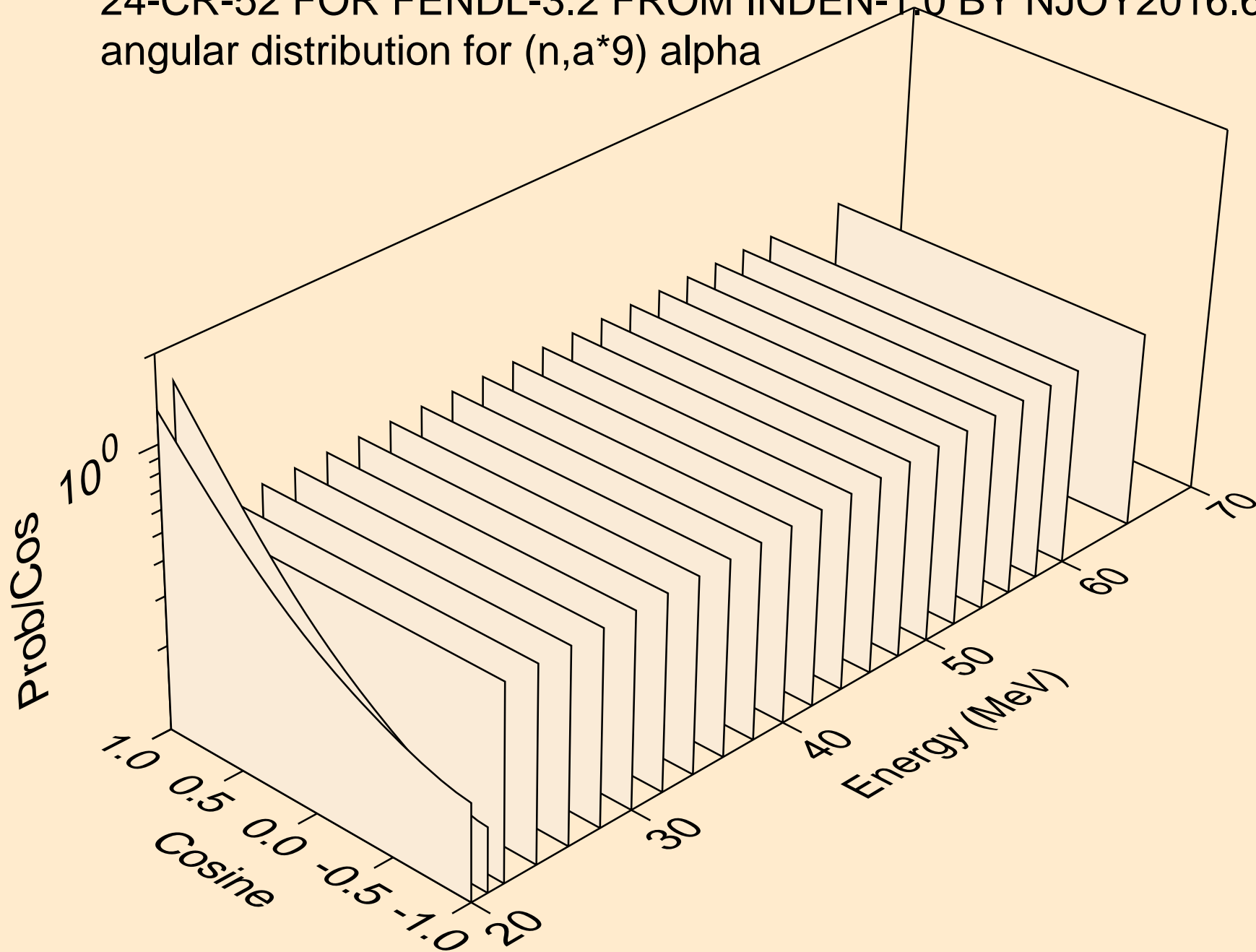
24-CR-52 FOR FENDL-3.2 FROM INDEN-1.0 BY NJOY2016.60+ OI
angular distribution for (n,a*8) alpha



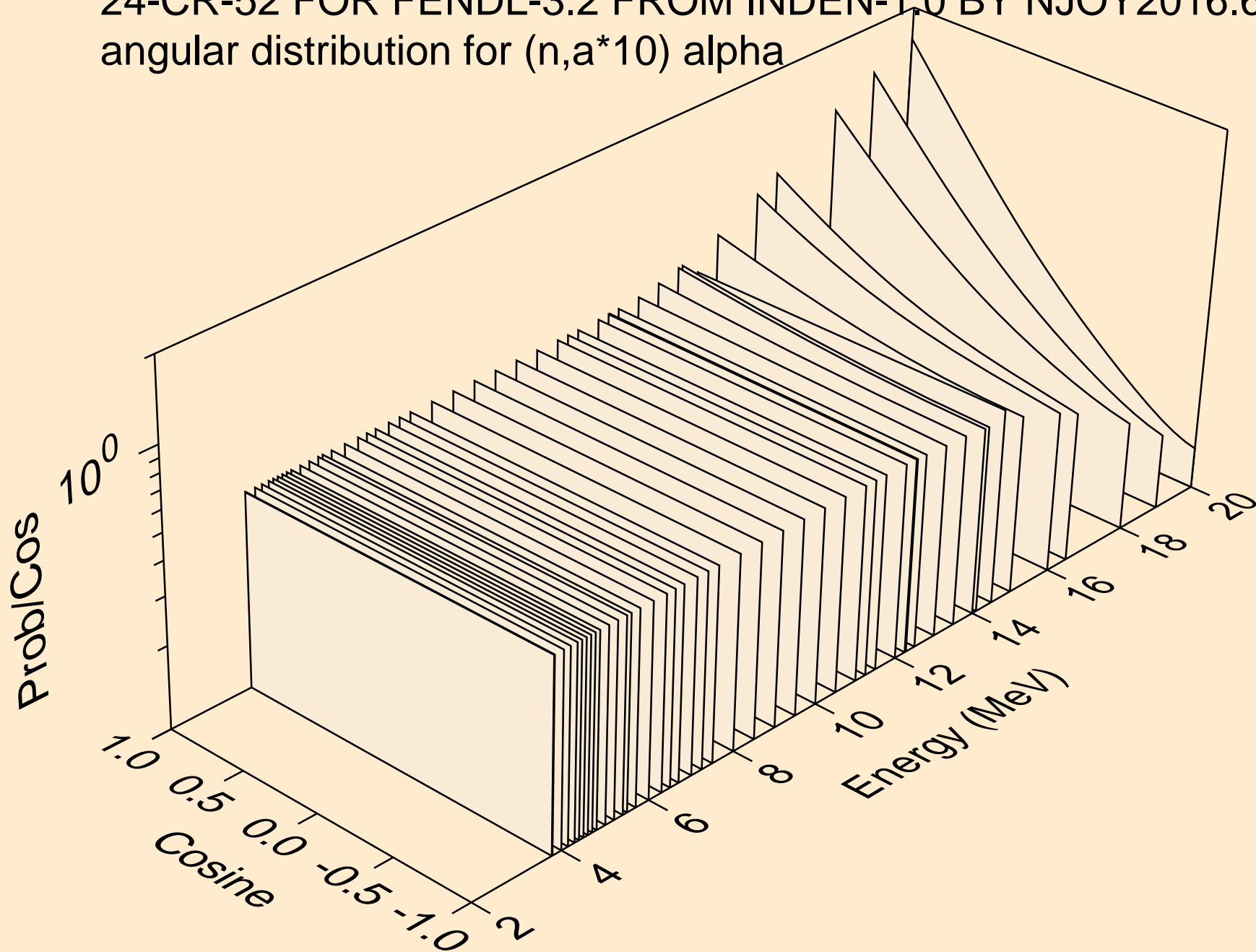
24-CR-52 FOR FENDL-3.2 FROM INDEN-1.0 BY NJOY2016.60+ OI
angular distribution for (n,a*9) alpha



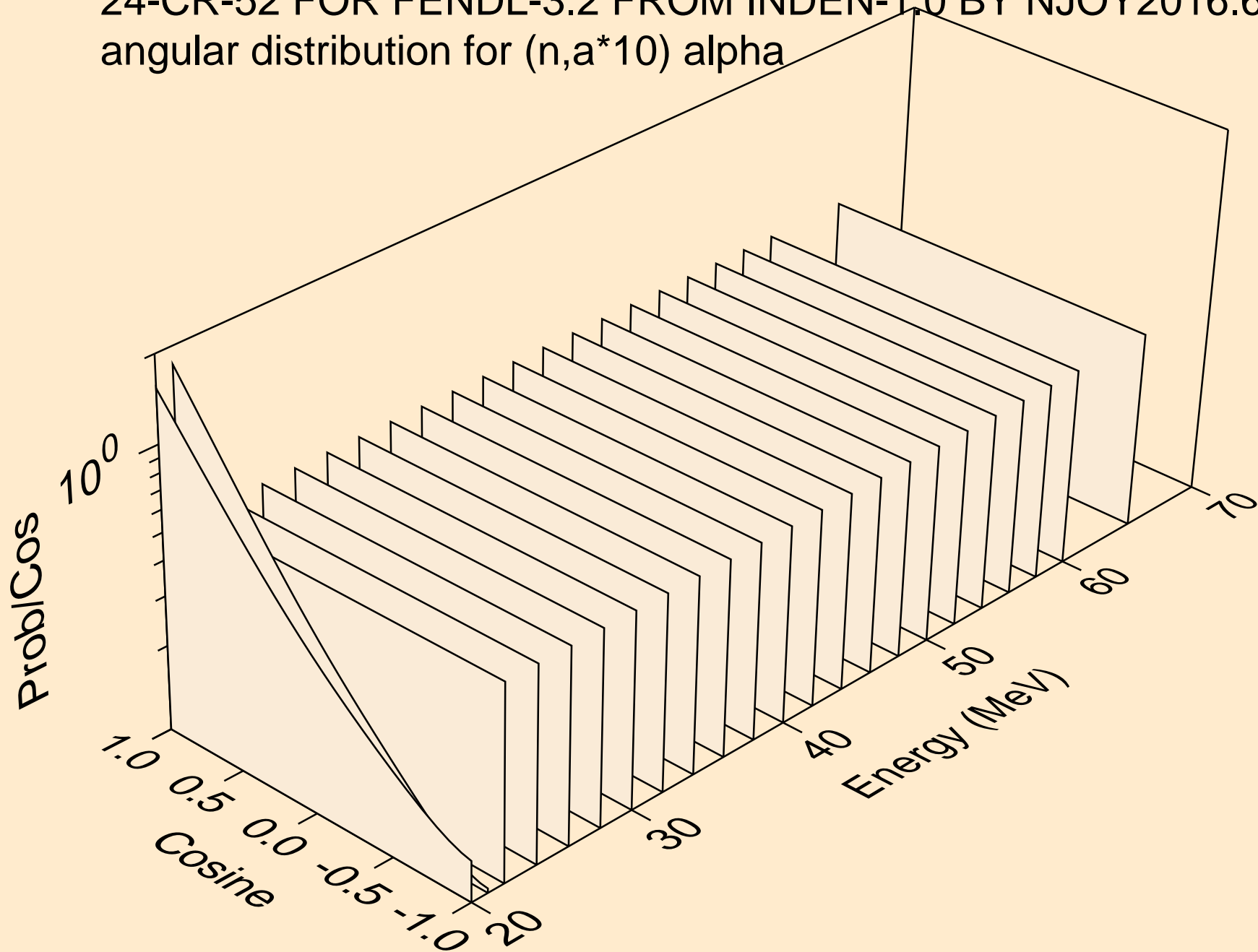
24-CR-52 FOR FENDL-3.2 FROM INDEN-1.0 BY NJOY2016.60+ OI
angular distribution for (n,a*9) alpha



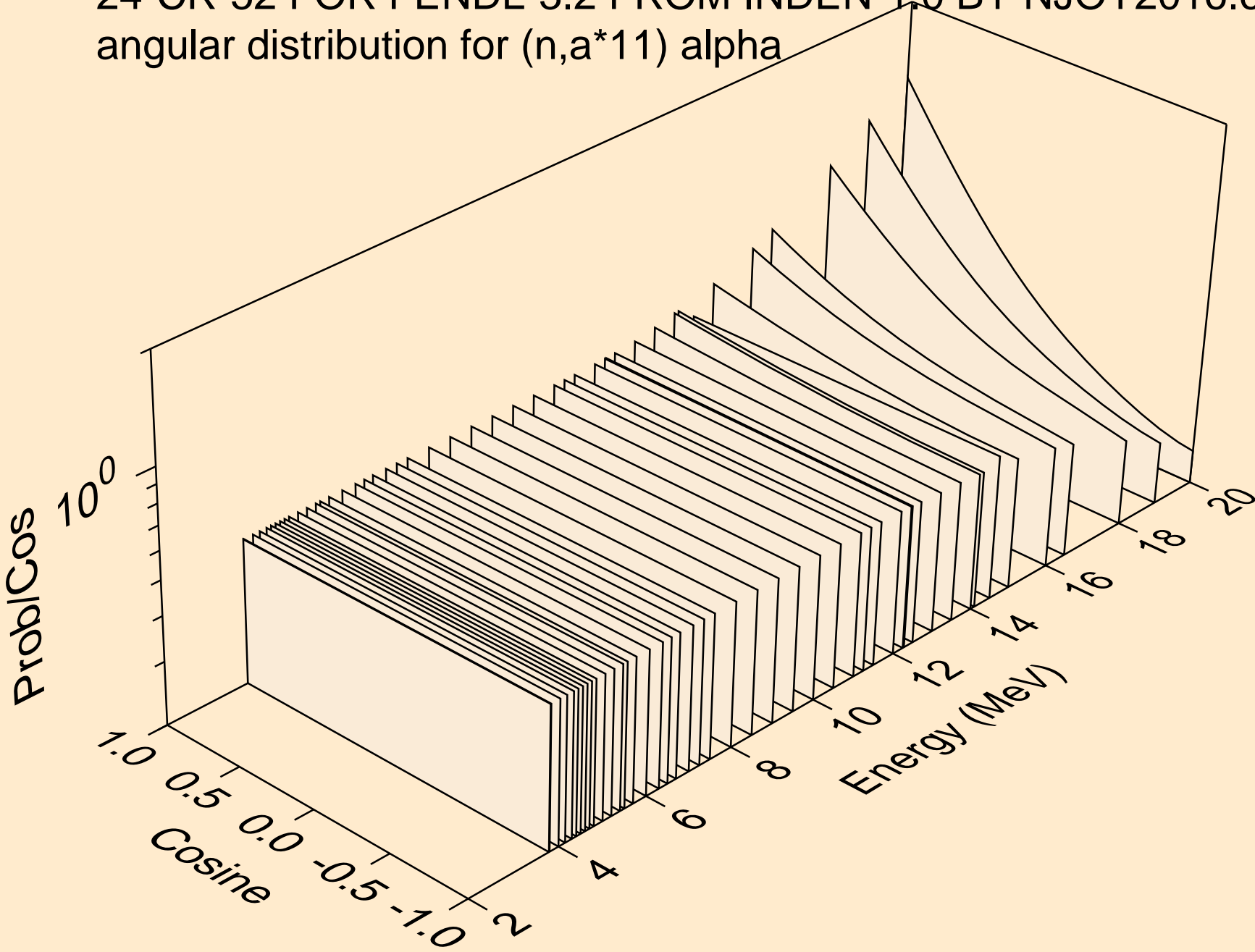
24-CR-52 FOR FENDL-3.2 FROM INDEN-1.0 BY NJOY2016.60+ OI
angular distribution for (n,a*10) alpha



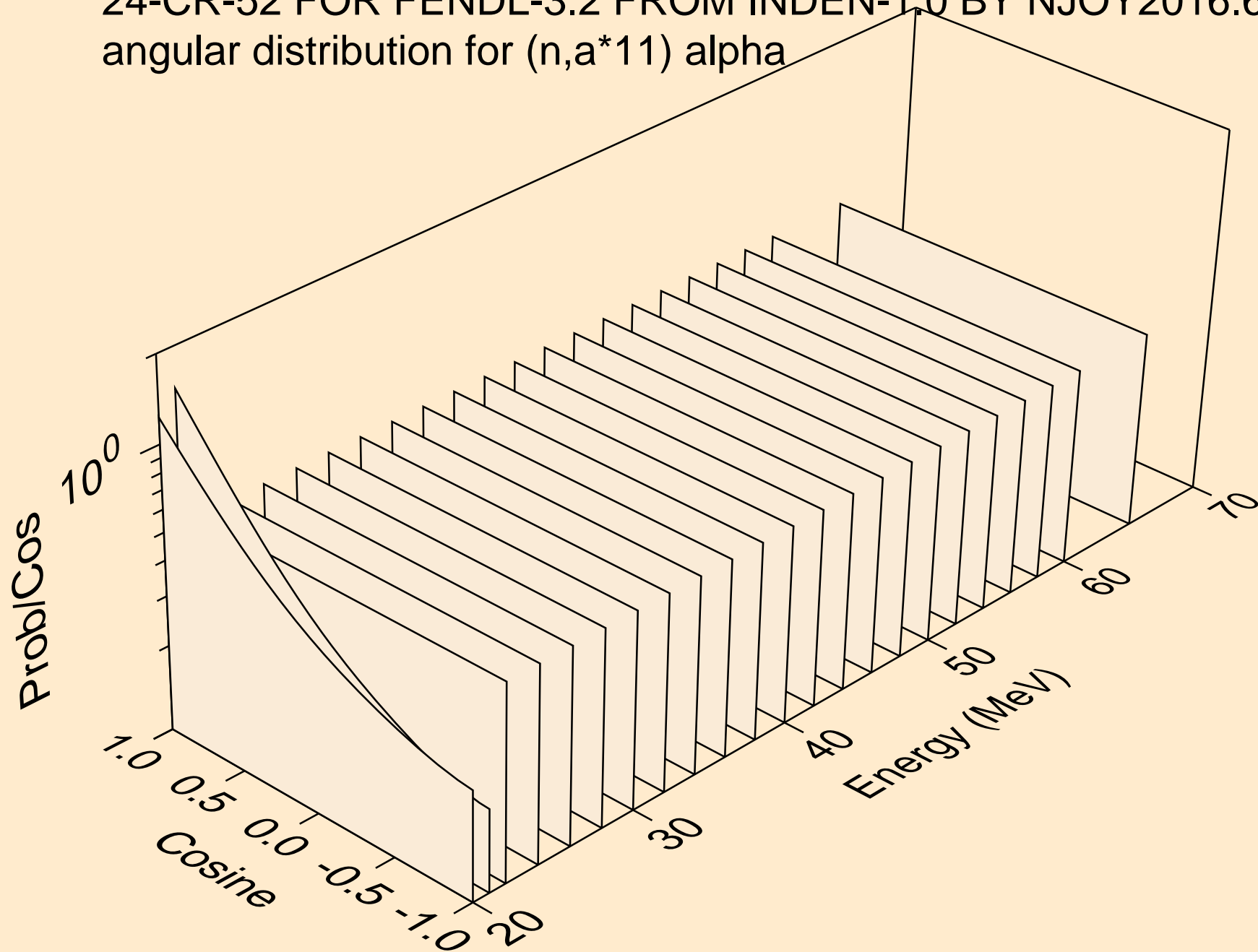
24-CR-52 FOR FENDL-3.2 FROM INDEN-1.0 BY NJOY2016.60+ OI
angular distribution for (n,a*10) alpha



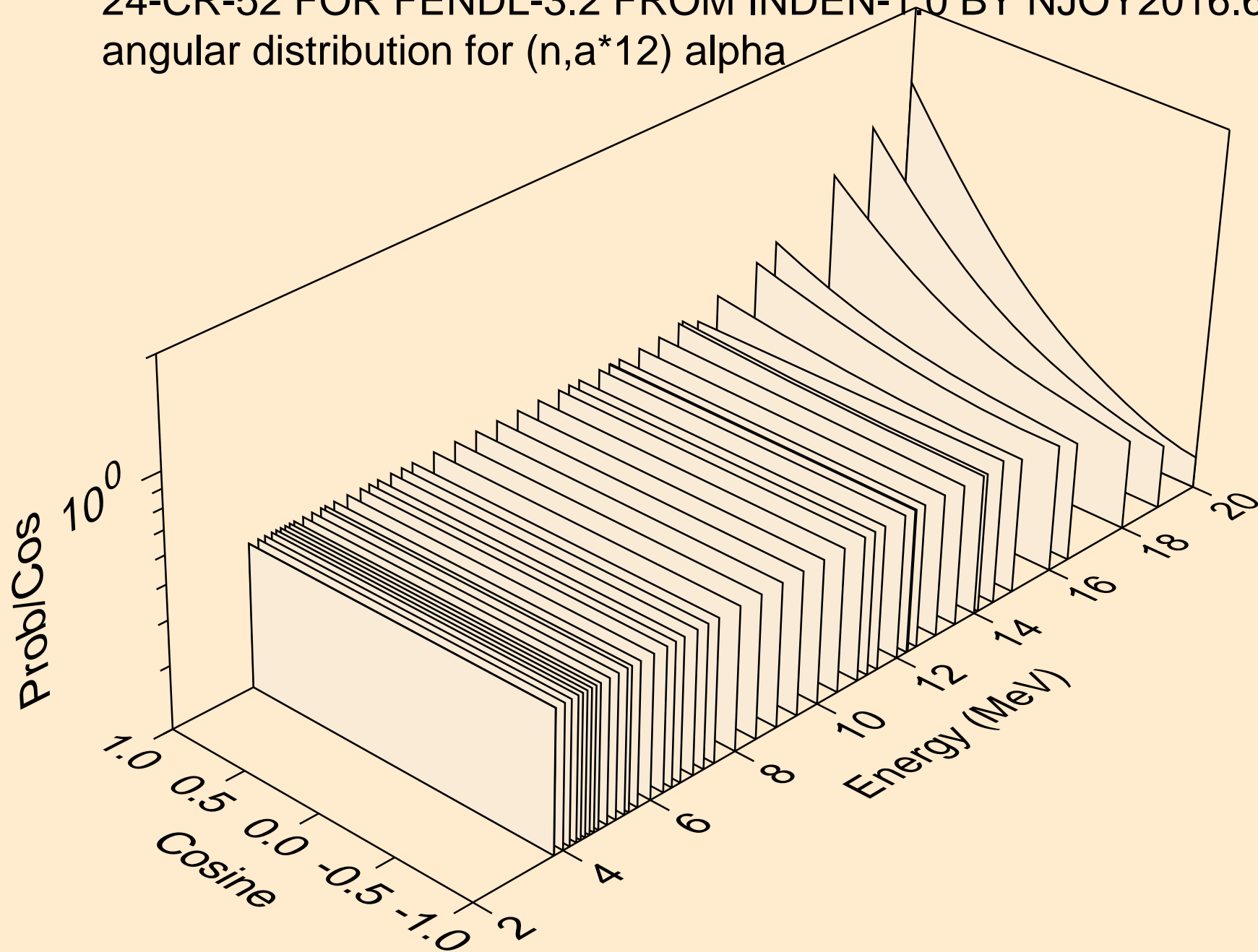
24-CR-52 FOR FENDL-3.2 FROM INDEN-1.0 BY NJOY2016.60+ OI
angular distribution for (n,a*11) alpha



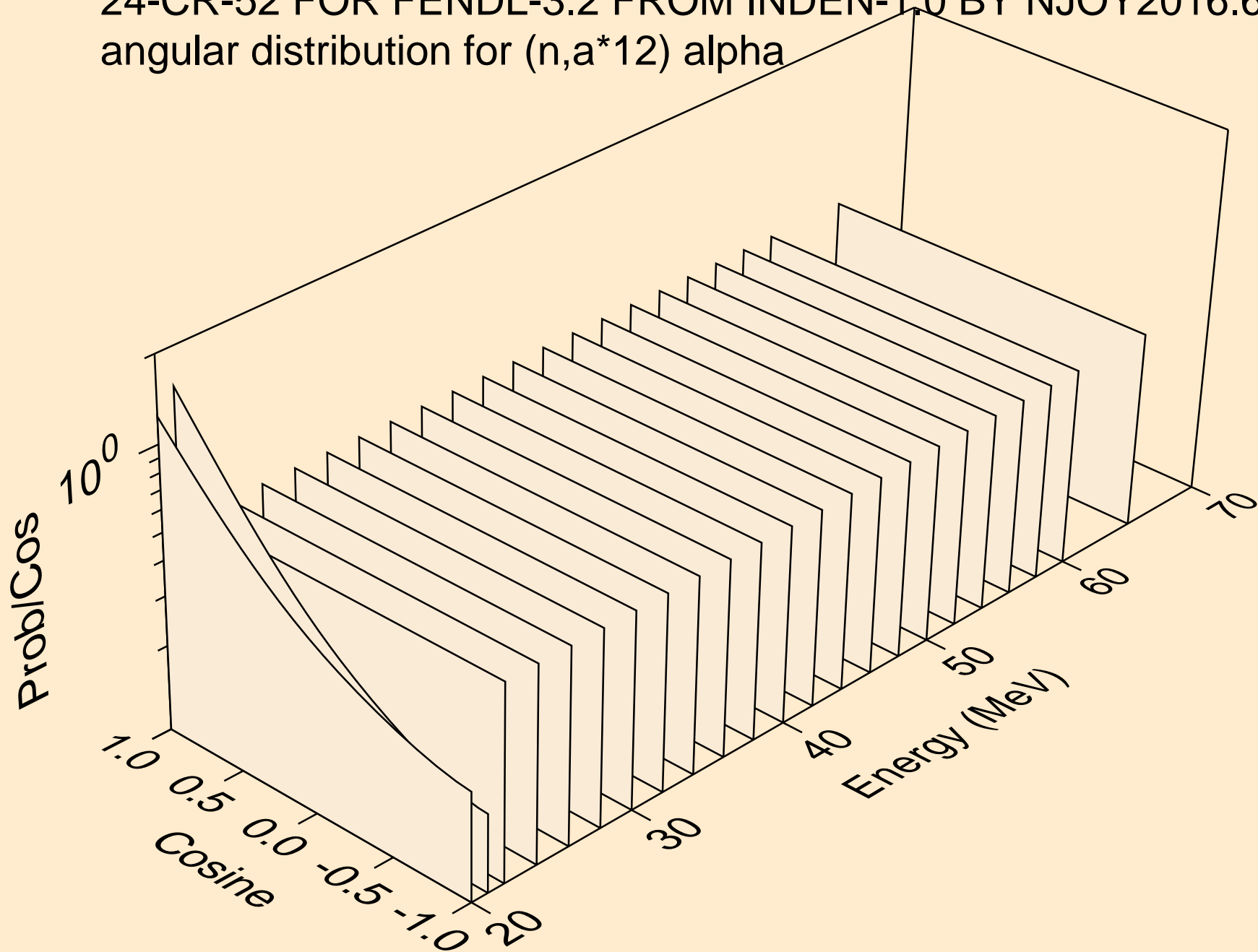
24-CR-52 FOR FENDL-3.2 FROM INDEN-1.0 BY NJOY2016.60+ OI
angular distribution for (n,a*11) alpha



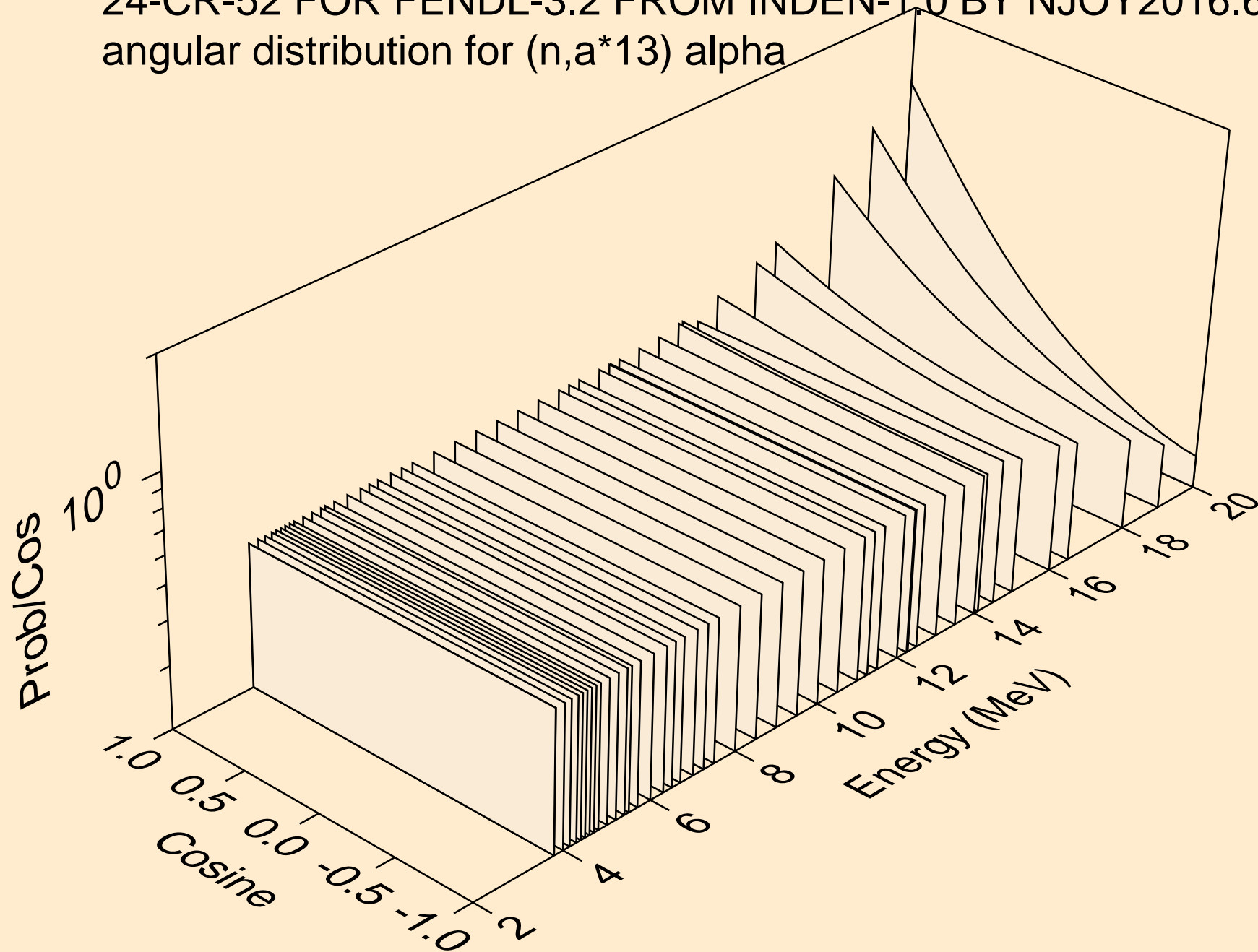
24-CR-52 FOR FENDL-3.2 FROM INDEN-1.0 BY NJOY2016.60+ OI
angular distribution for (n,a*12) alpha



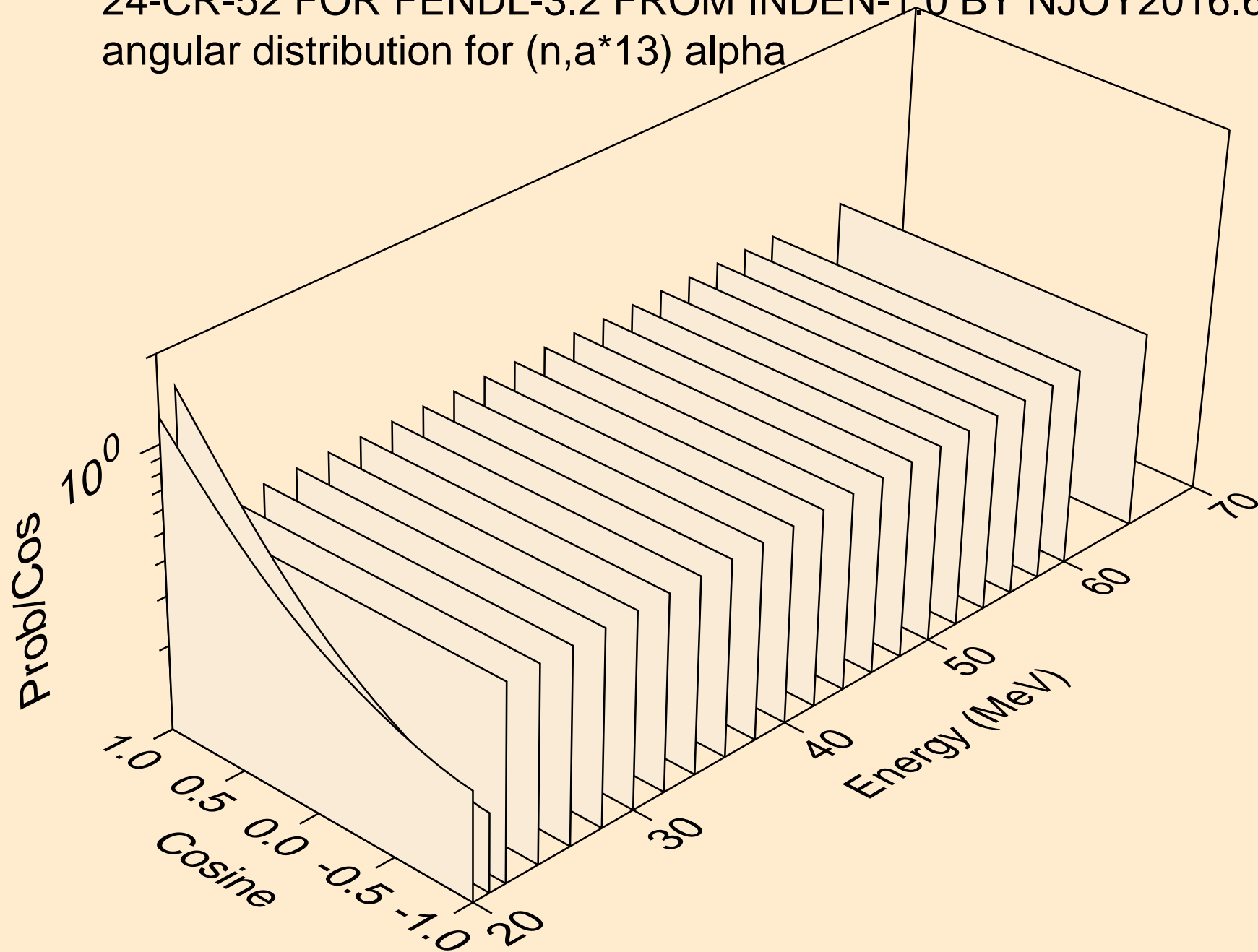
24-CR-52 FOR FENDL-3.2 FROM INDEN-1.0 BY NJOY2016.60+ OI
angular distribution for (n,a*12) alpha



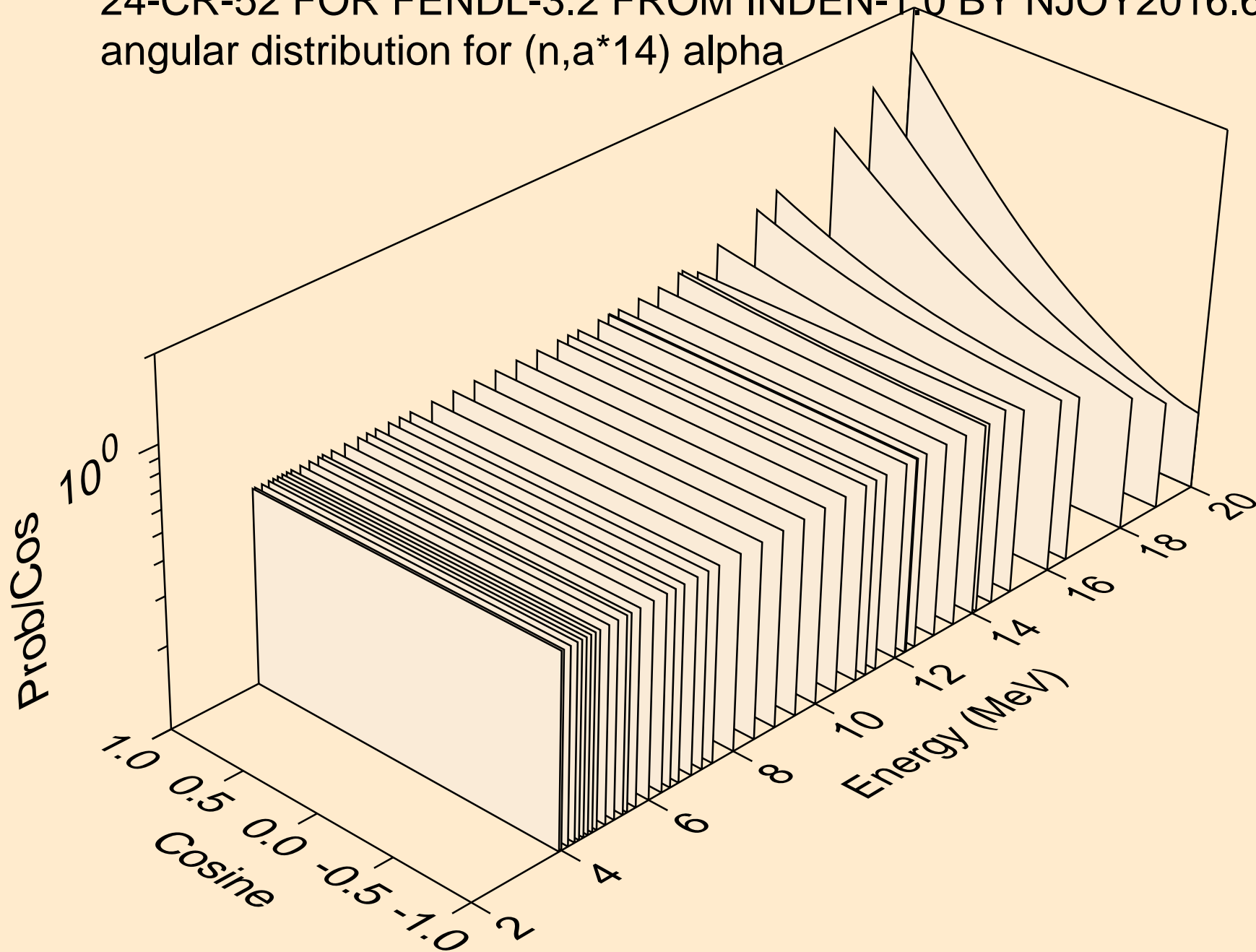
24-CR-52 FOR FENDL-3.2 FROM INDEN-1.0 BY NJOY2016.60+ OI
angular distribution for (n,a*13) alpha



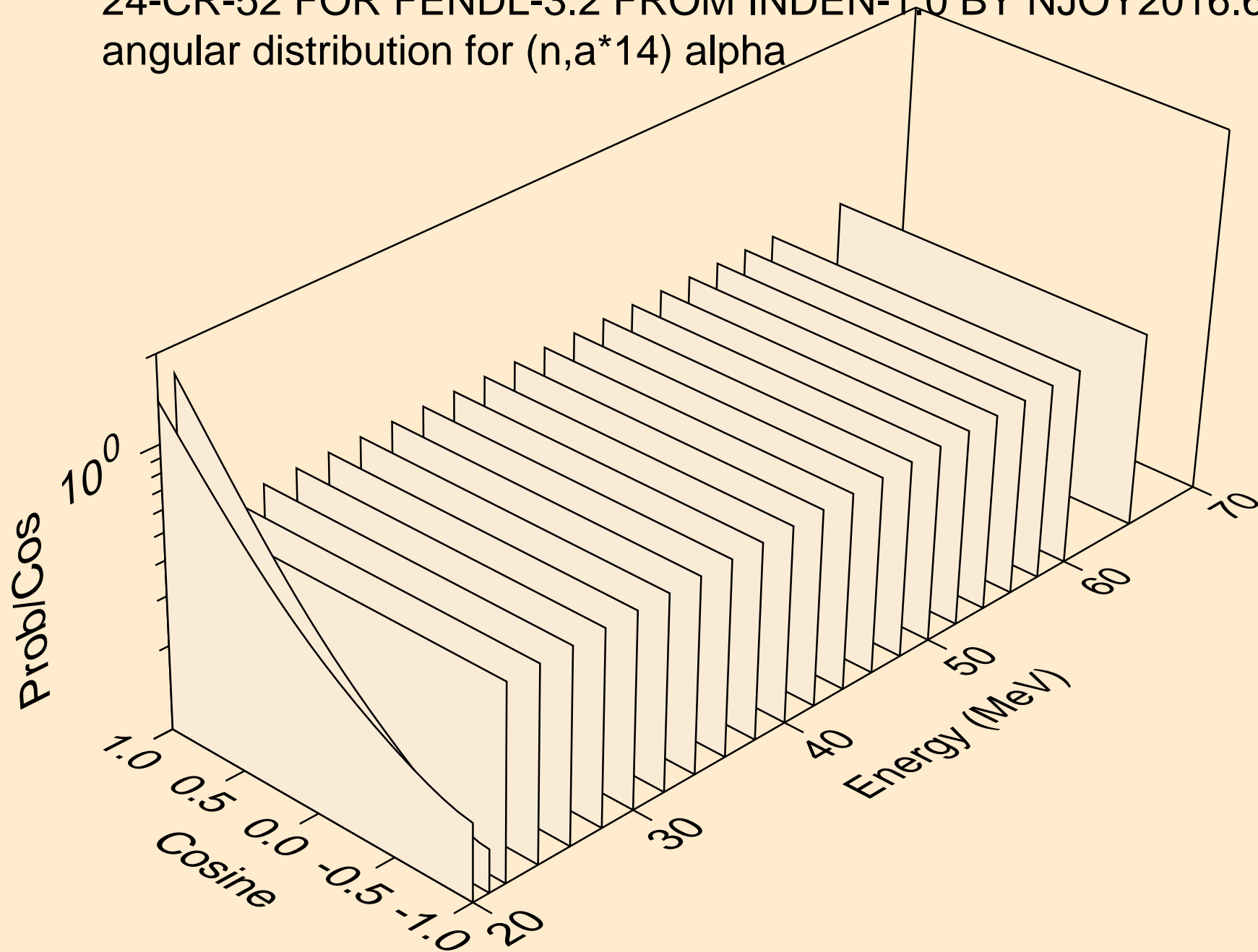
24-CR-52 FOR FENDL-3.2 FROM INDEN-1.0 BY NJOY2016.60+ OI
angular distribution for (n,a*13) alpha



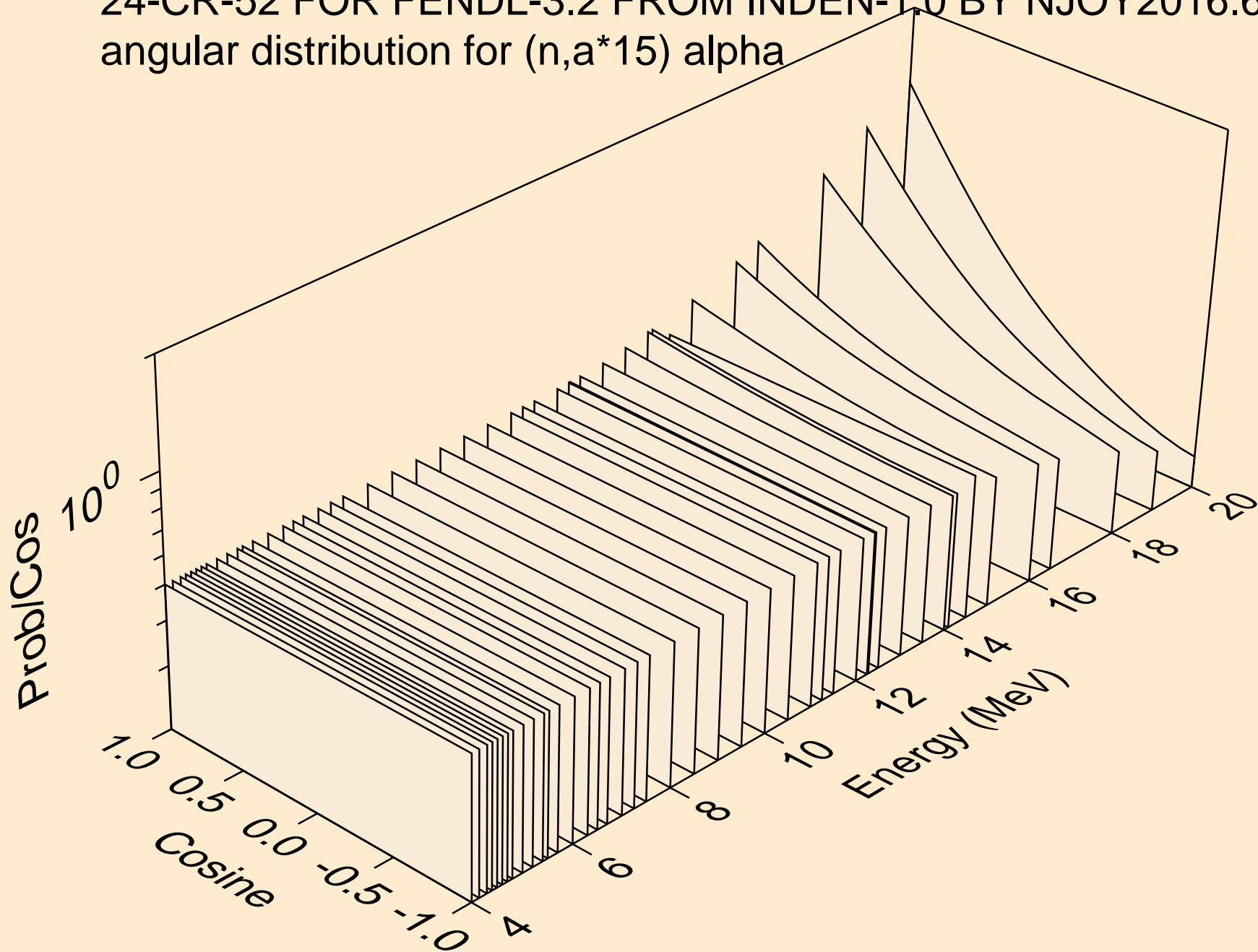
24-CR-52 FOR FENDL-3.2 FROM INDEN-1.0 BY NJOY2016.60+ OI
angular distribution for (n,a*14) alpha



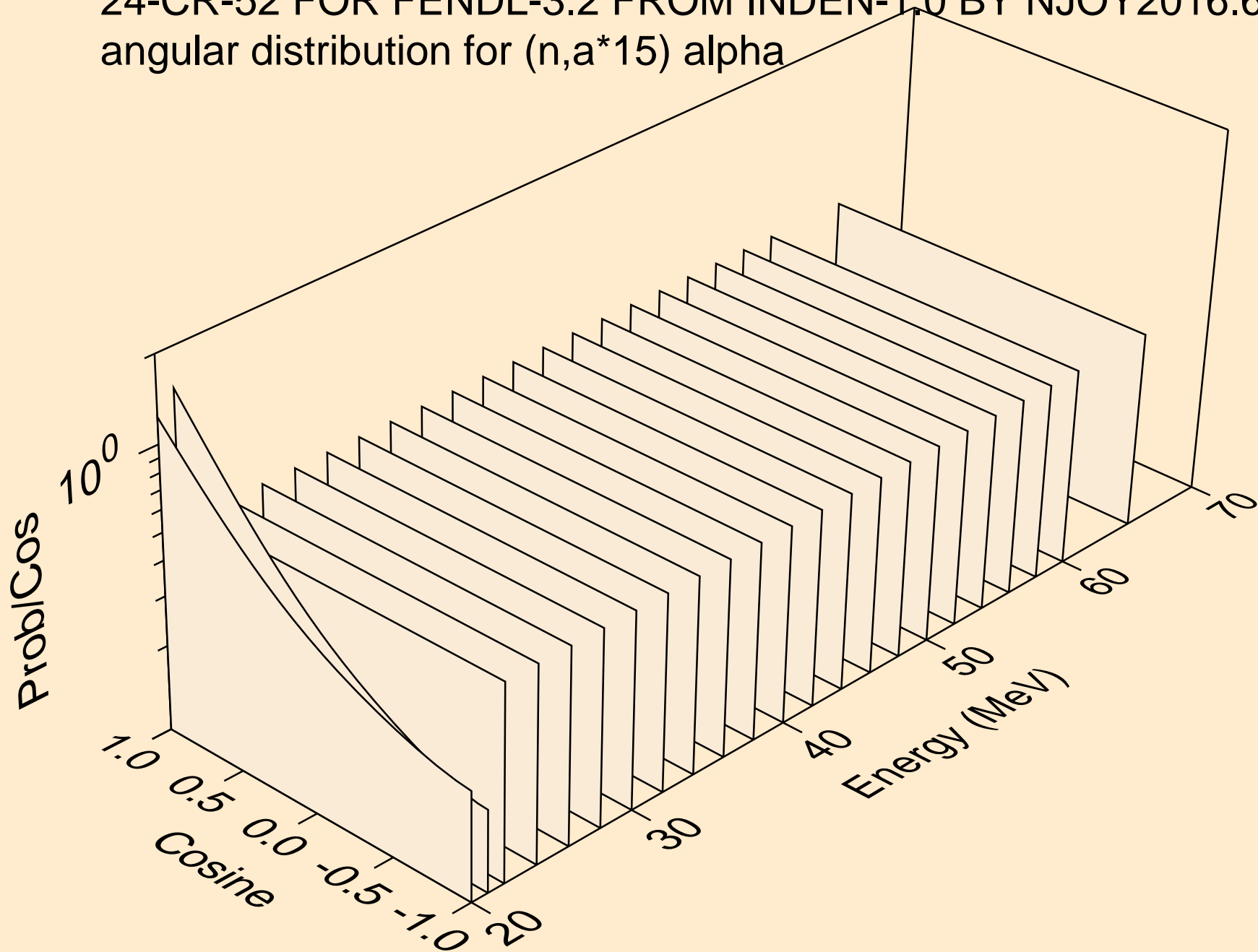
24-CR-52 FOR FENDL-3.2 FROM INDEN-1.0 BY NJOY2016.60+ OI
angular distribution for (n,a*14) alpha



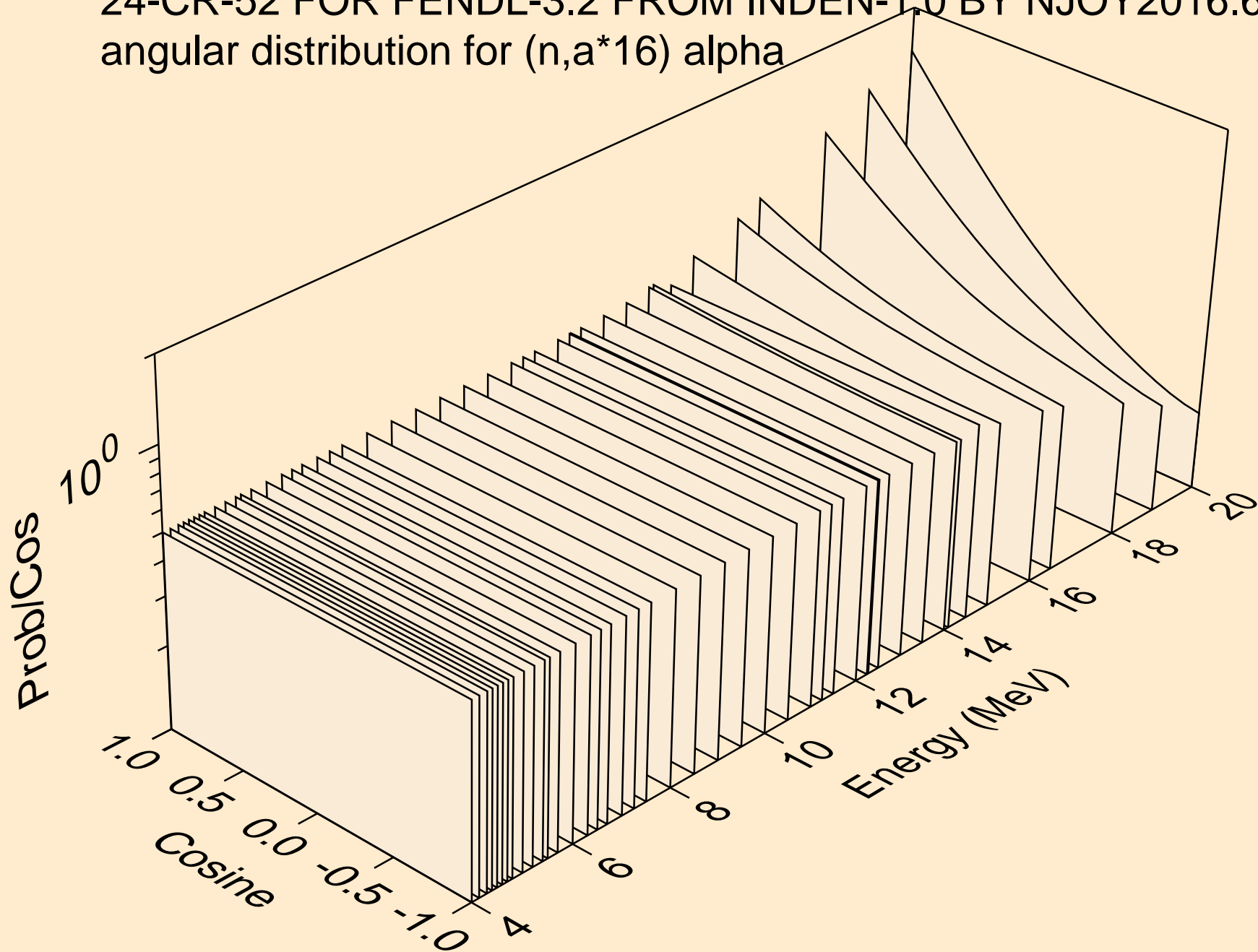
24-CR-52 FOR FENDL-3.2 FROM INDEN-1.0 BY NJOY2016.60+ OI
angular distribution for (n,a*15) alpha



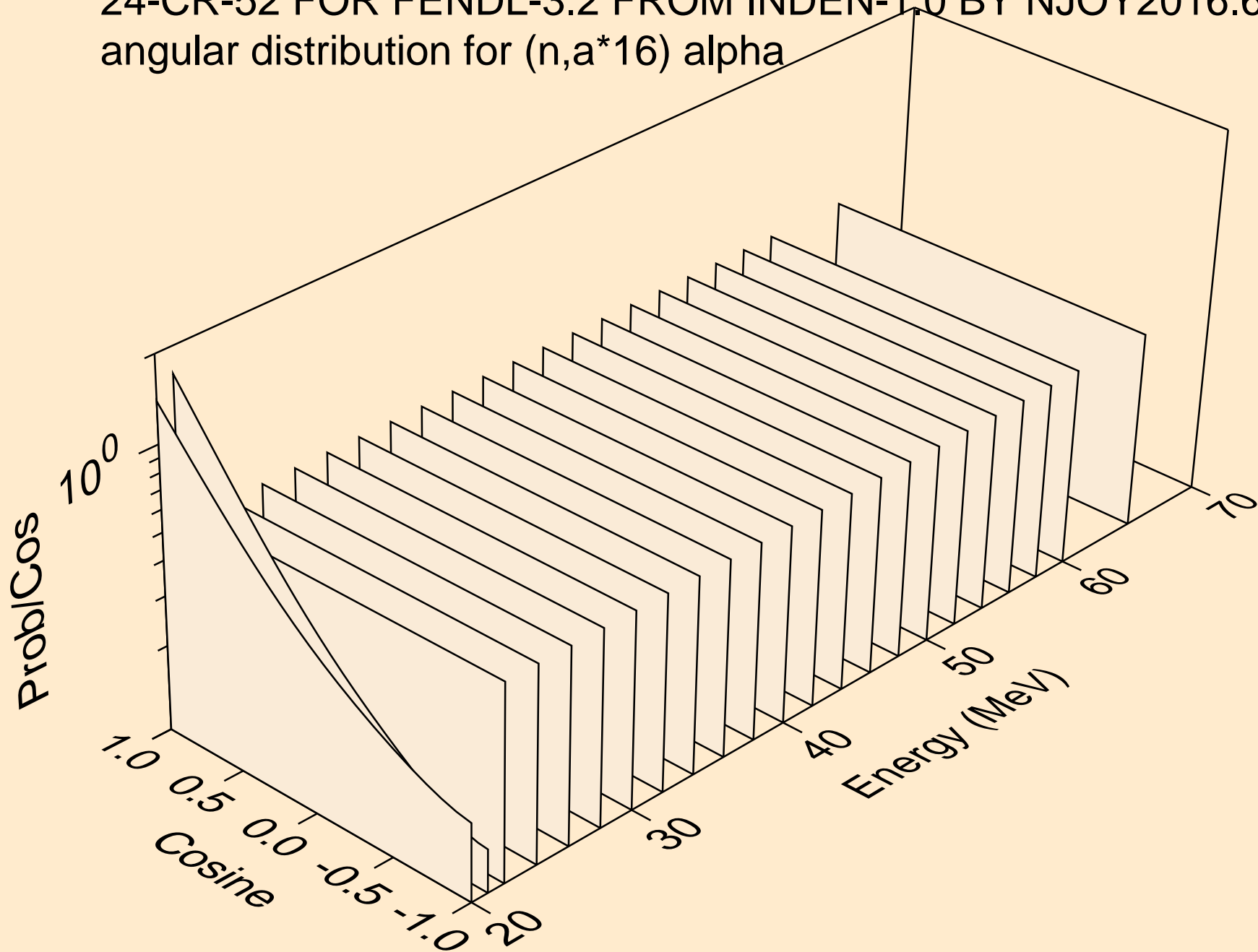
24-CR-52 FOR FENDL-3.2 FROM INDEN-1.0 BY NJOY2016.60+ OI
angular distribution for (n,a*15) alpha



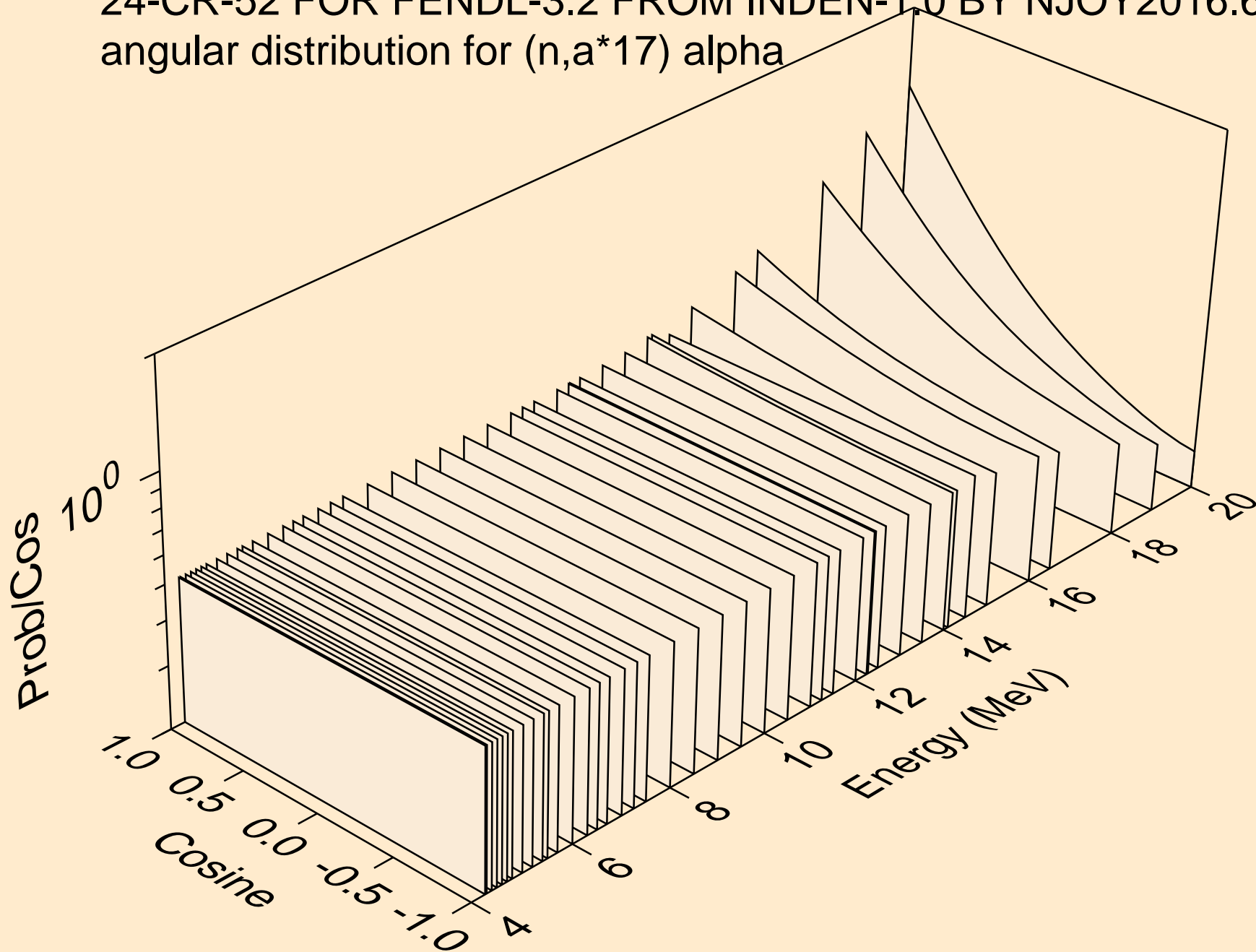
24-CR-52 FOR FENDL-3.2 FROM INDEN-1.0 BY NJOY2016.60+ OI
angular distribution for (n,a*16) alpha



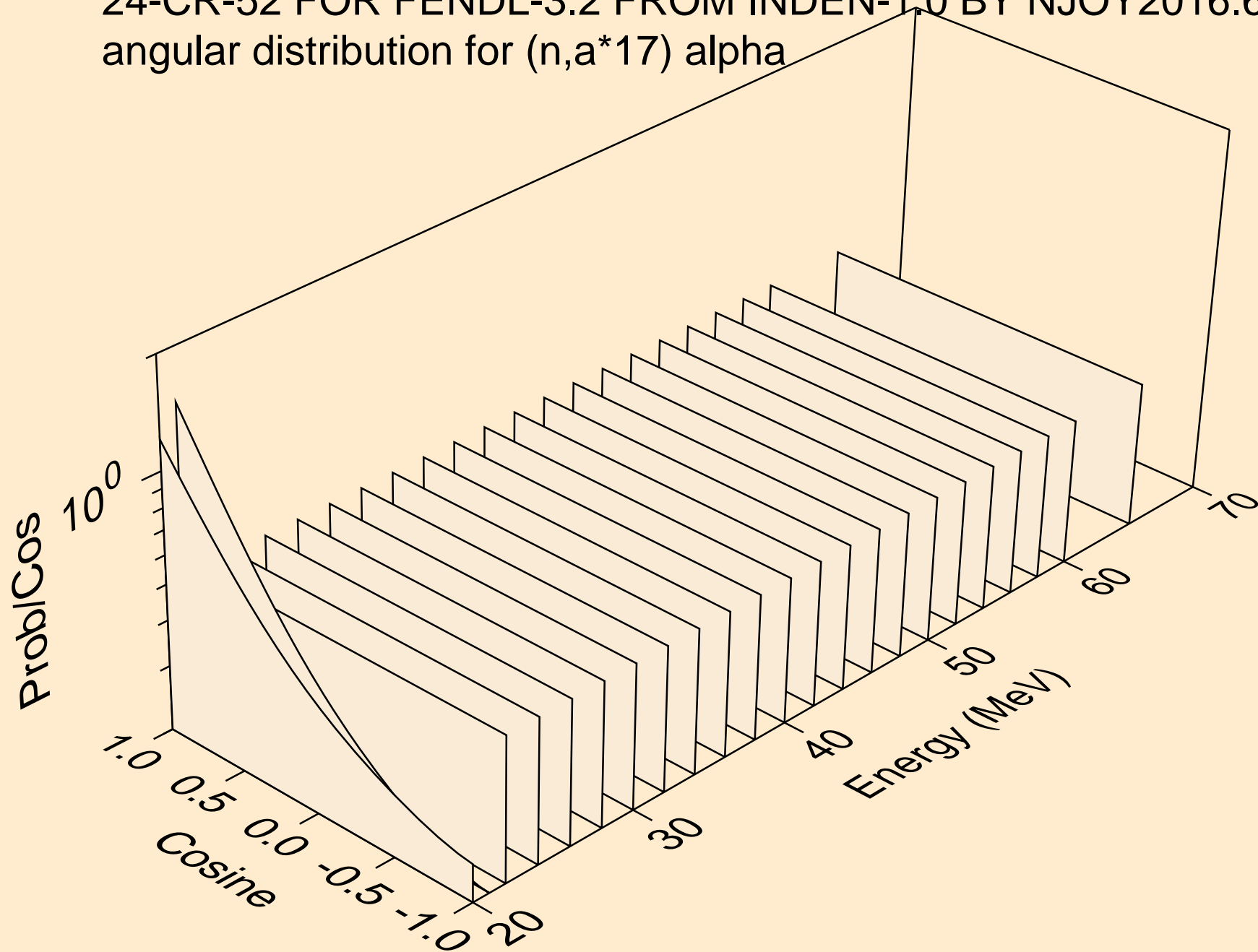
24-CR-52 FOR FENDL-3.2 FROM INDEN-1.0 BY NJOY2016.60+ OI
angular distribution for (n,a*16) alpha



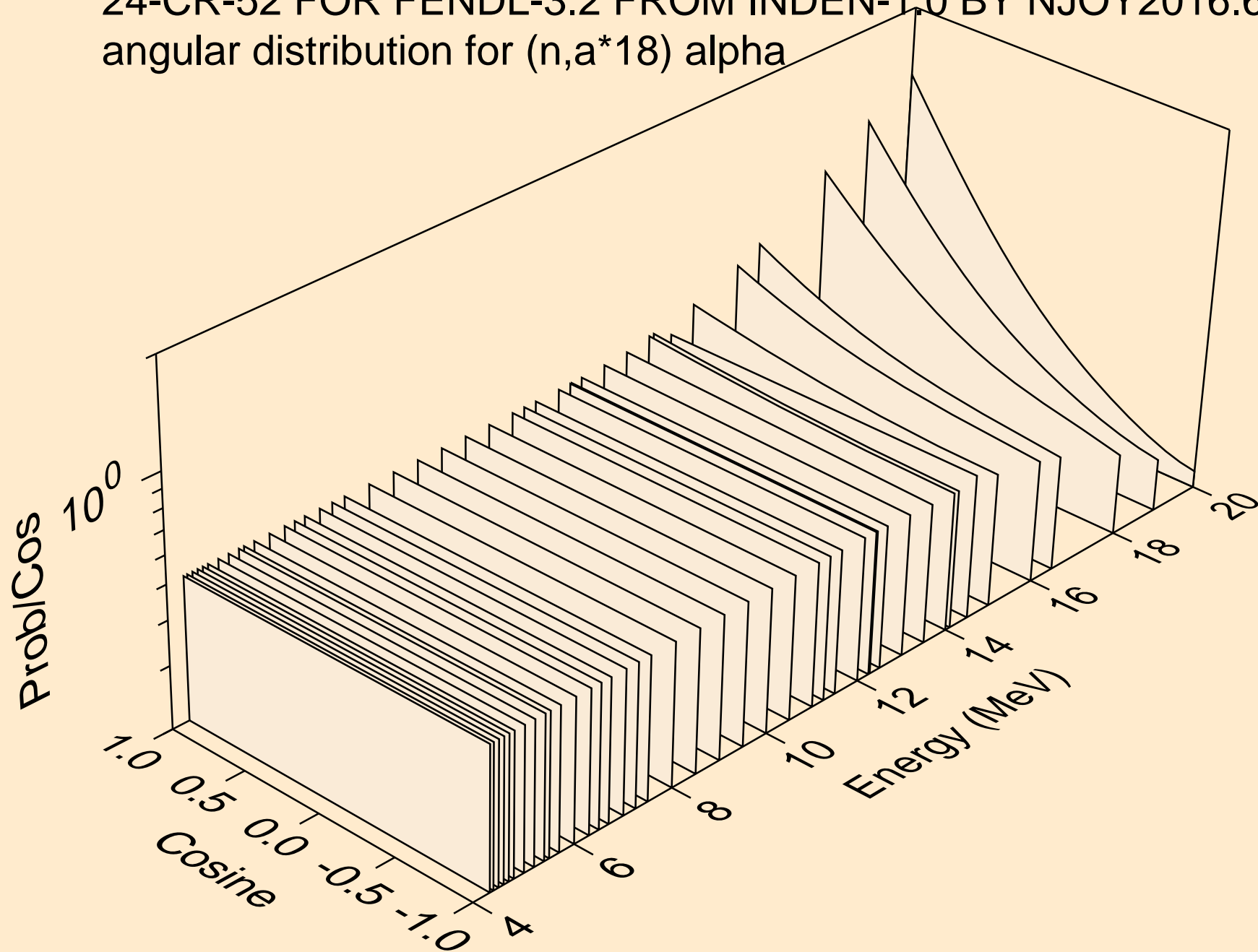
24-CR-52 FOR FENDL-3.2 FROM INDEN-1.0 BY NJOY2016.60+ OI
angular distribution for (n,a*17) alpha



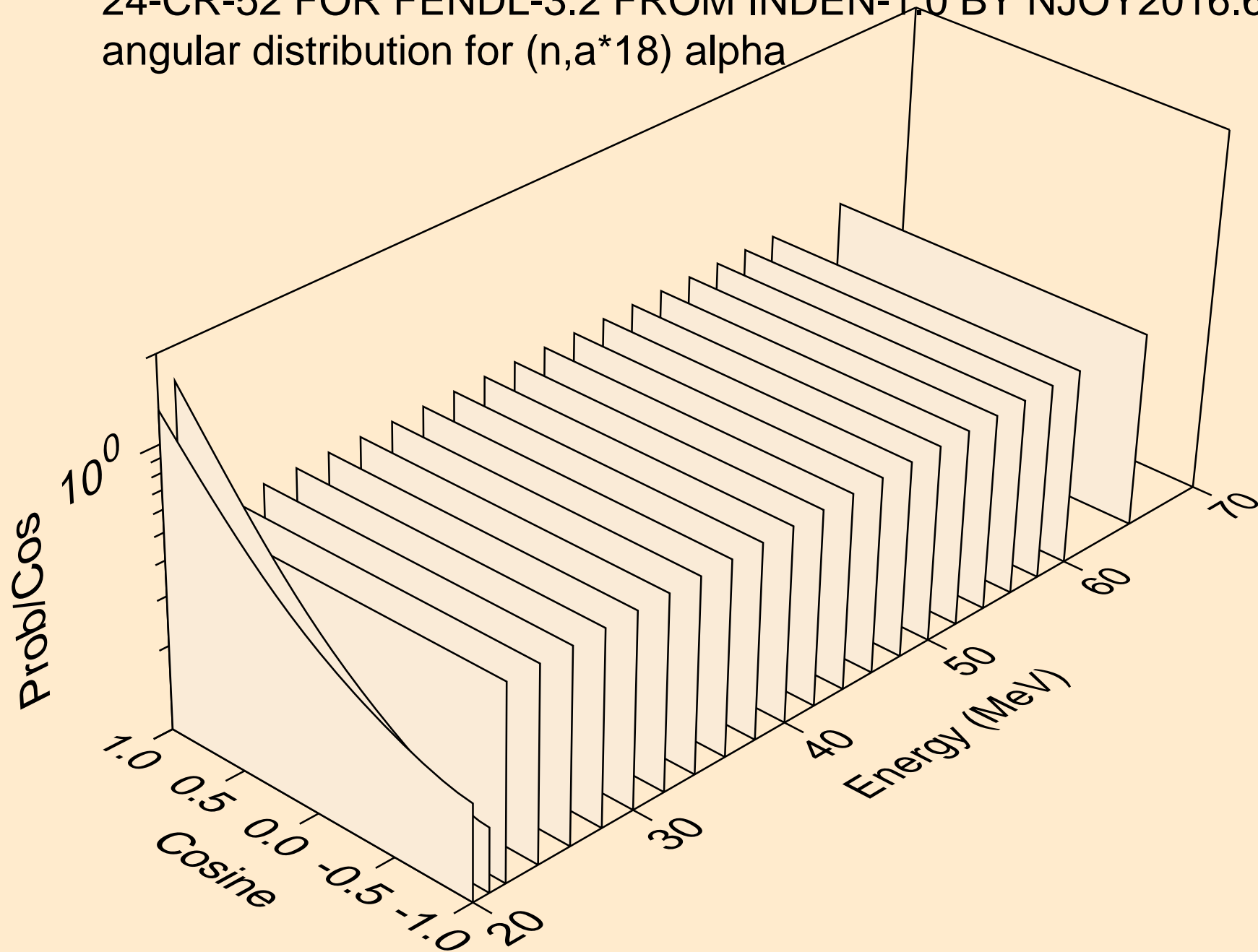
24-CR-52 FOR FENDL-3.2 FROM INDEN-1.0 BY NJOY2016.60+ OI
angular distribution for (n,a*17) alpha



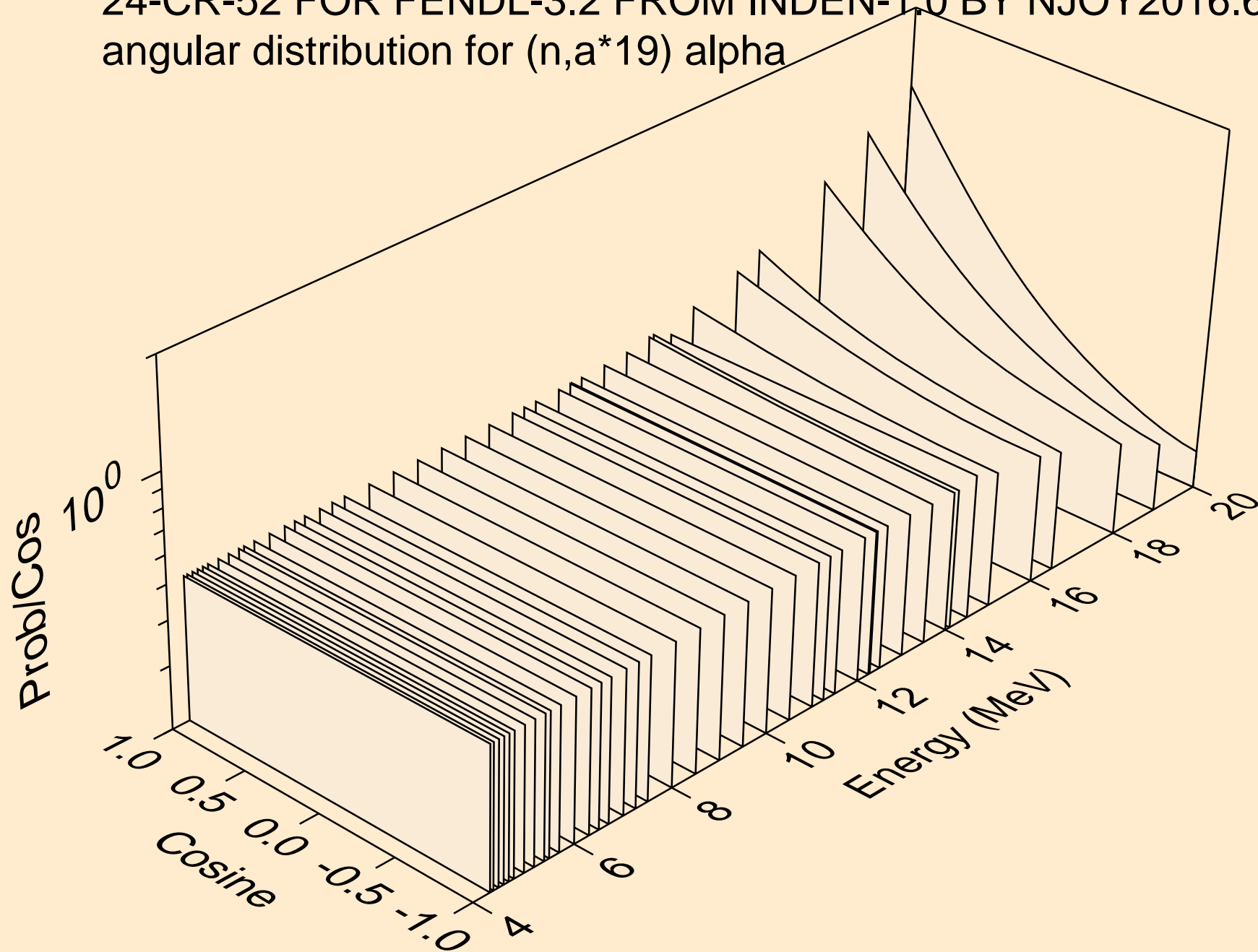
24-CR-52 FOR FENDL-3.2 FROM INDEN-1.0 BY NJOY2016.60+ OI
angular distribution for (n,a*18) alpha



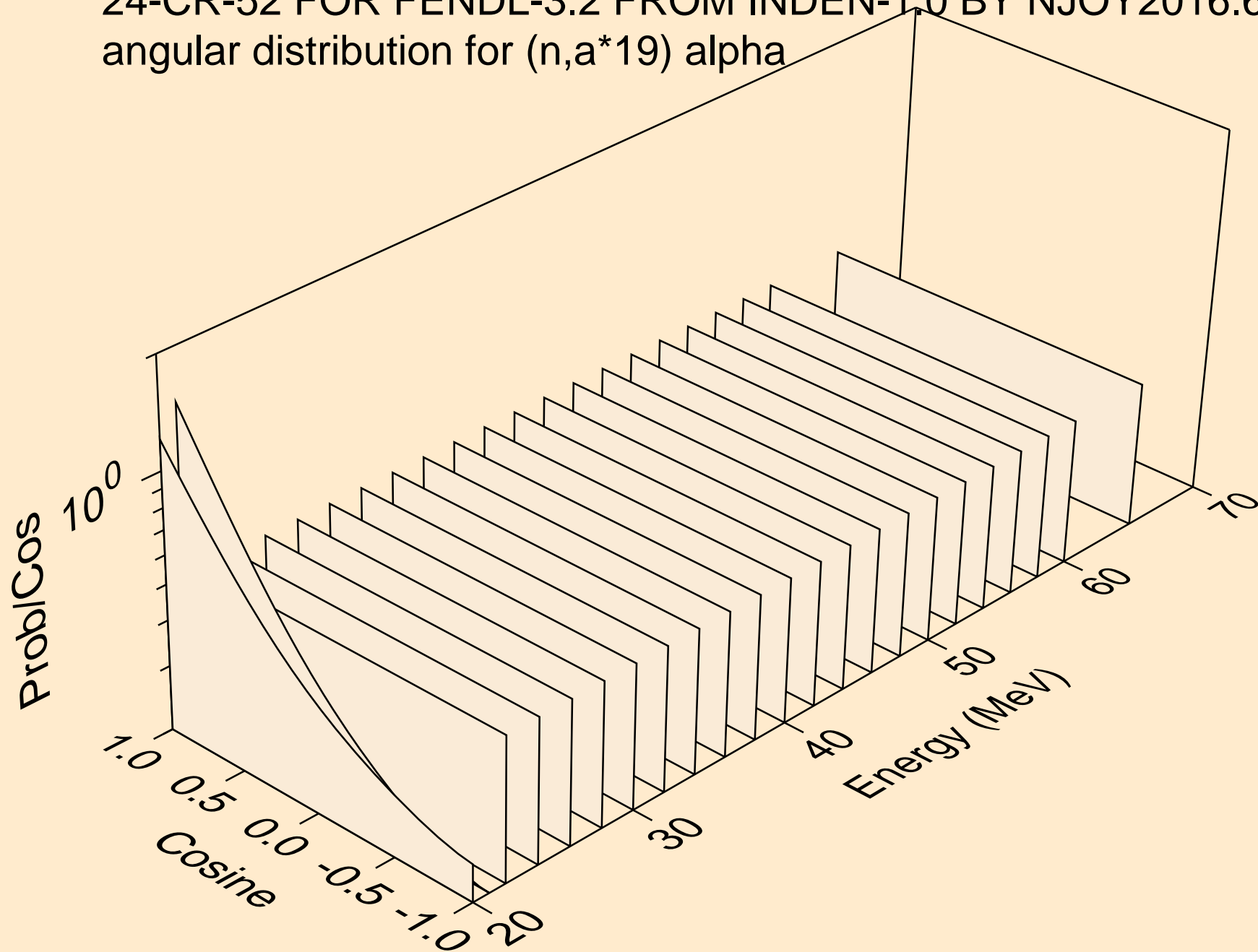
24-CR-52 FOR FENDL-3.2 FROM INDEN-1.0 BY NJOY2016.60+ OI
angular distribution for (n,a*18) alpha



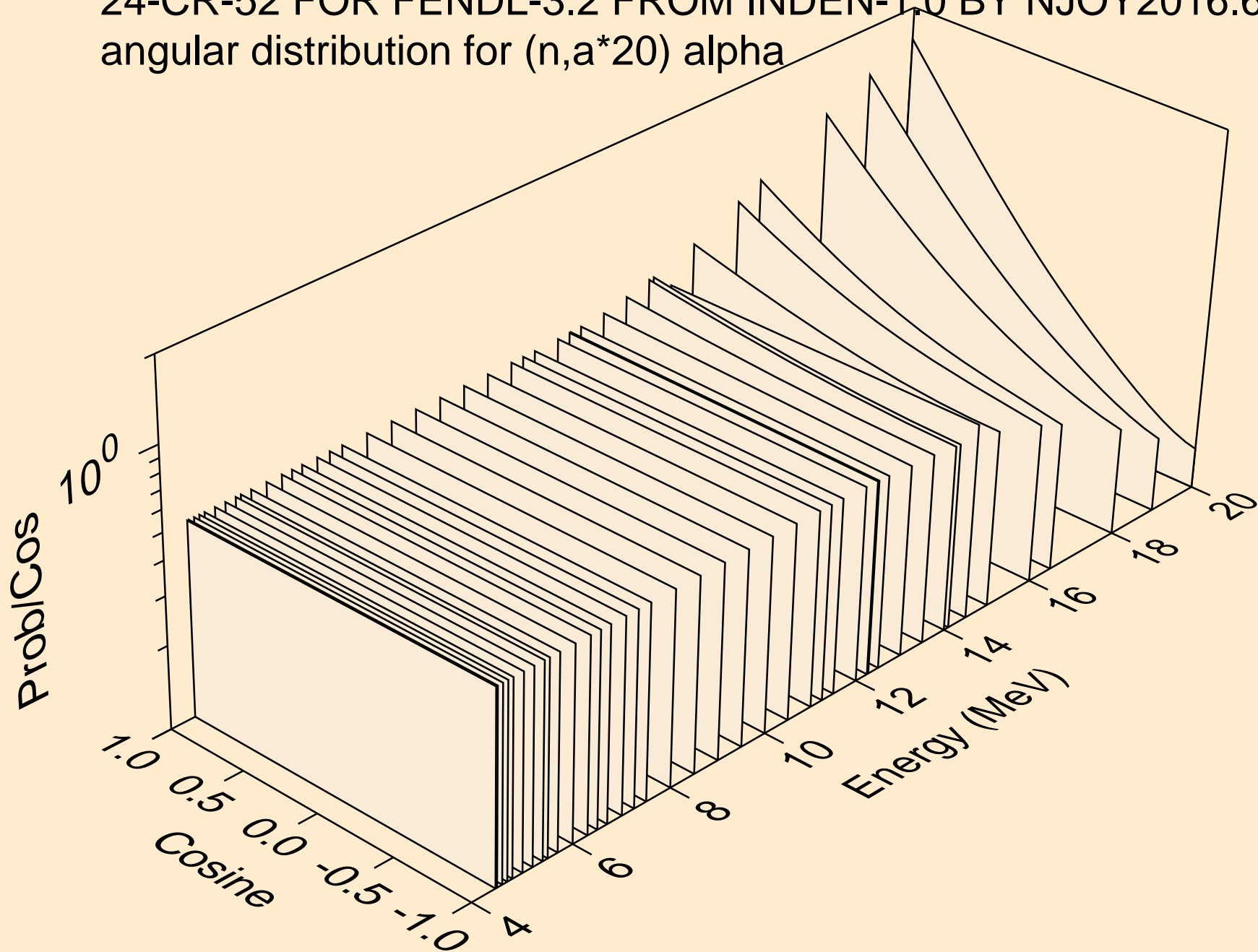
24-CR-52 FOR FENDL-3.2 FROM INDEN-1.0 BY NJOY2016.60+ OI
angular distribution for (n,a*19) alpha



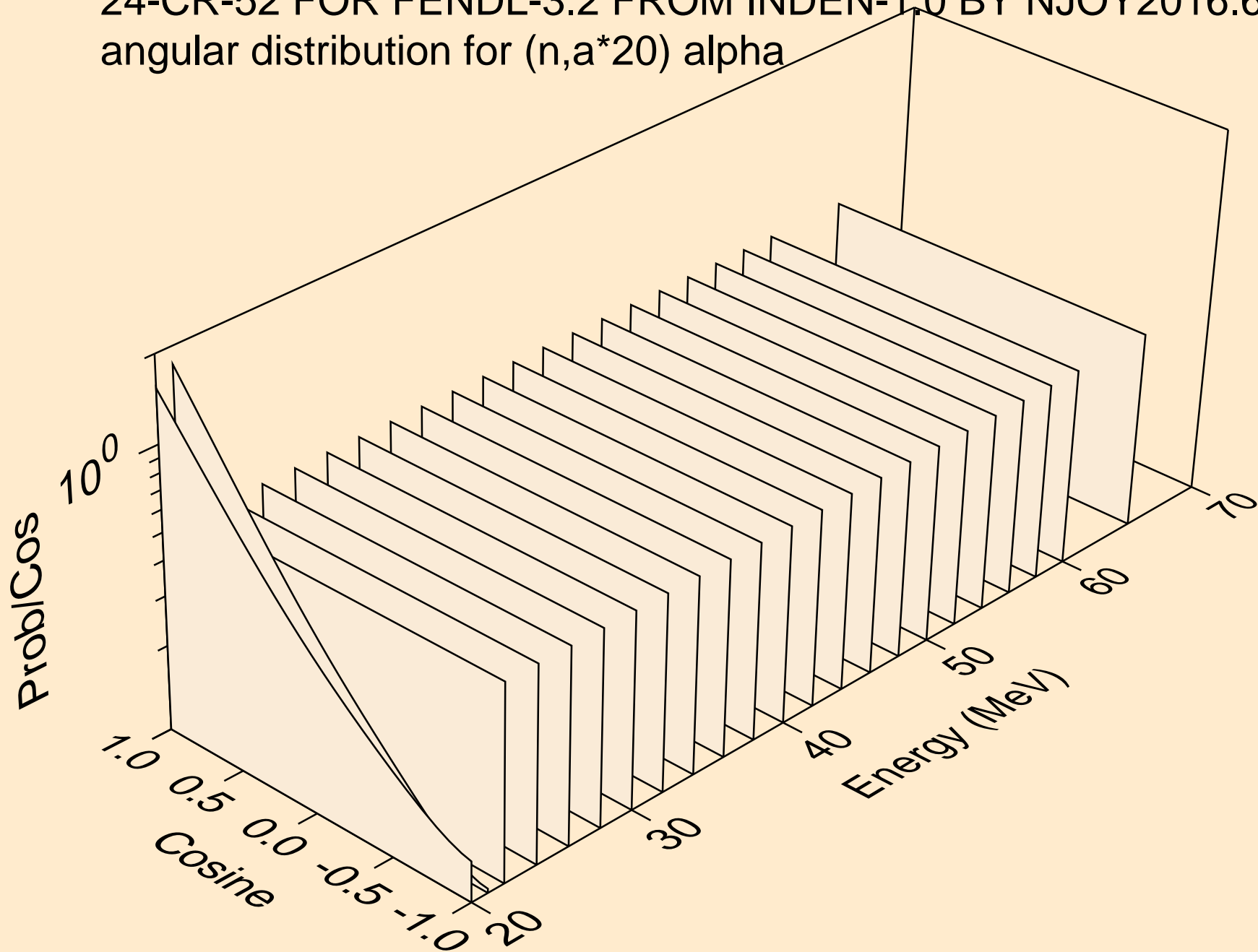
24-CR-52 FOR FENDL-3.2 FROM INDEN-1.0 BY NJOY2016.60+ OI
angular distribution for (n,a*19) alpha



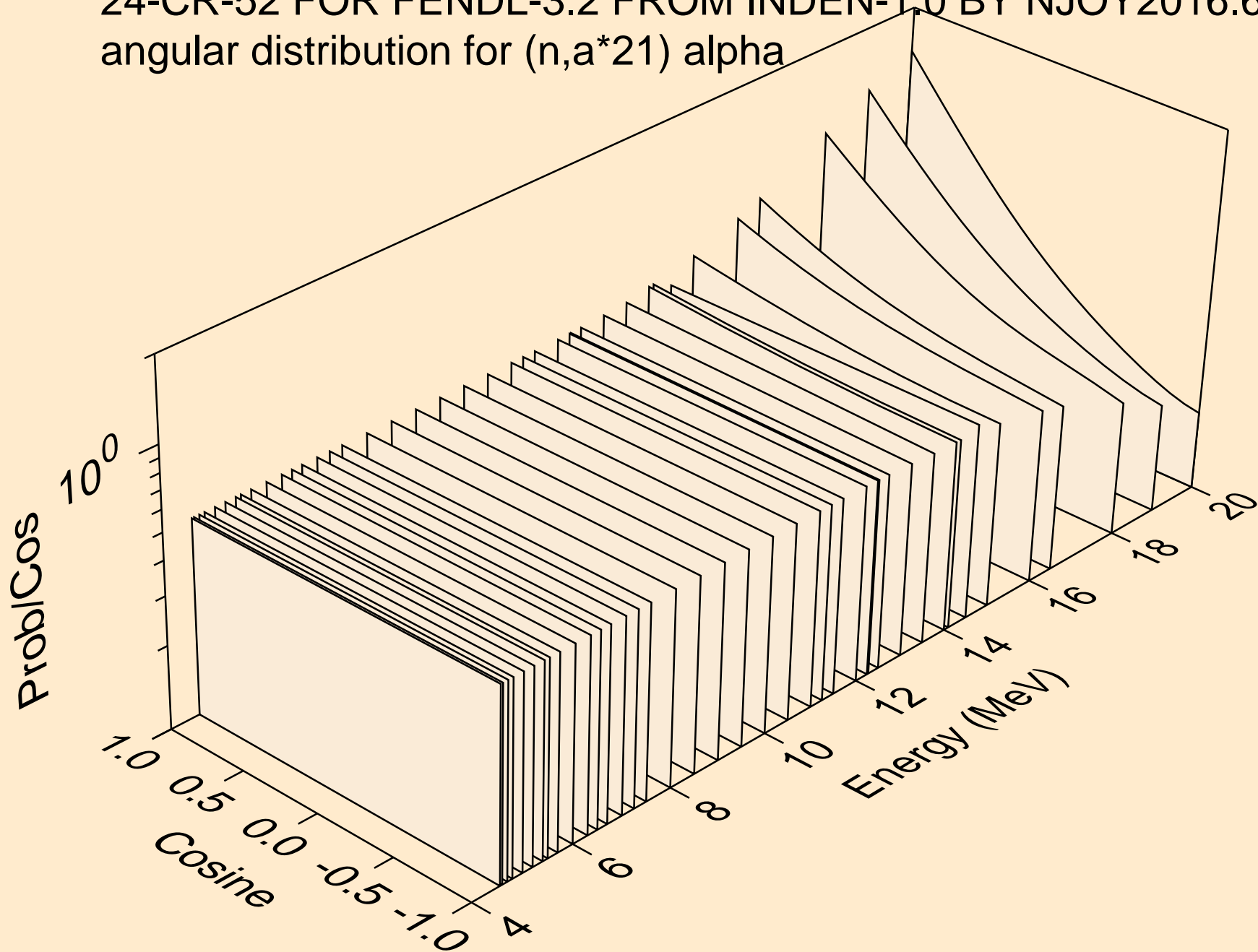
24-CR-52 FOR FENDL-3.2 FROM INDEN-1.0 BY NJOY2016.60+ OI
angular distribution for (n,a*20) alpha



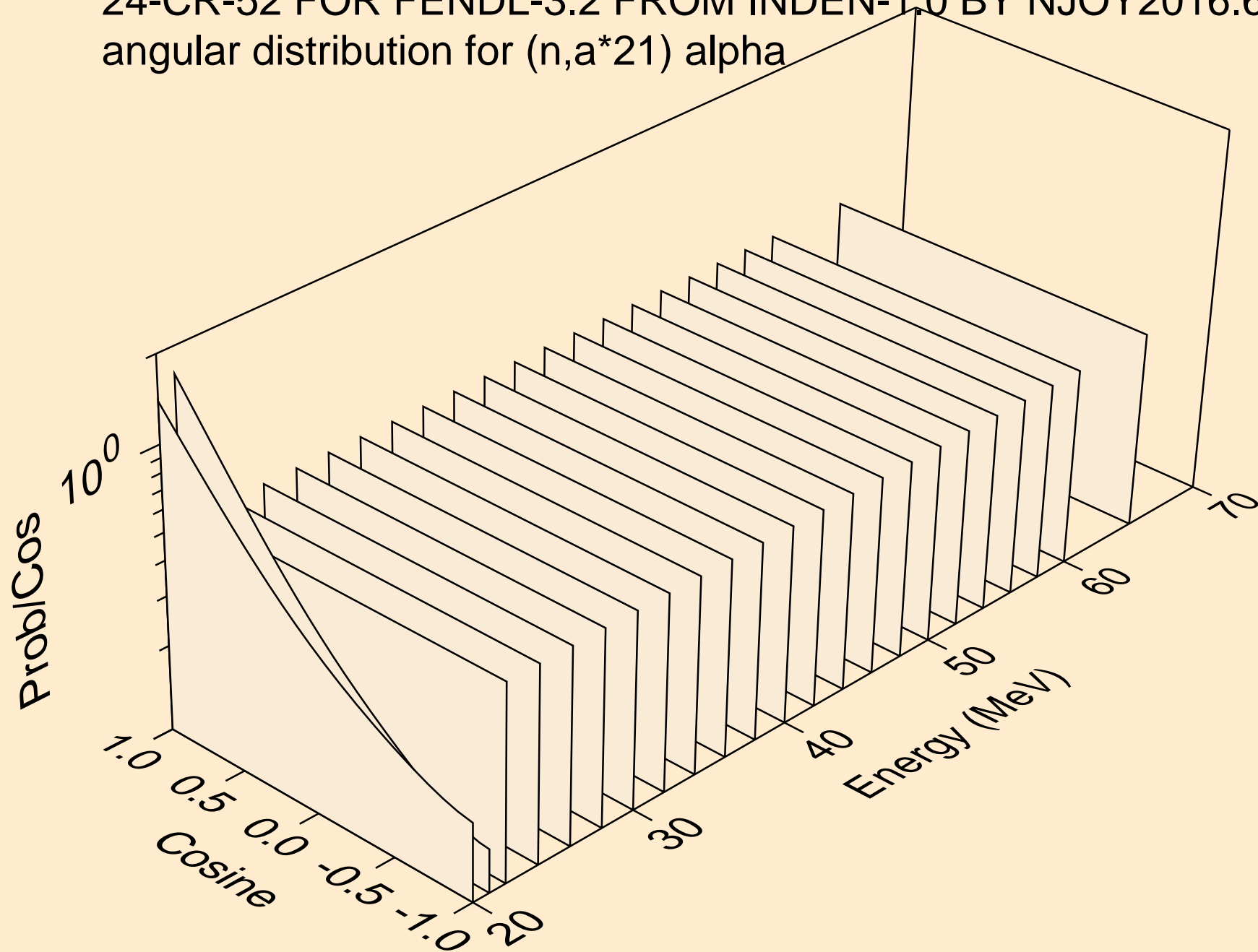
24-CR-52 FOR FENDL-3.2 FROM INDEN-1.0 BY NJOY2016.60+ OI
angular distribution for (n,a*20) alpha



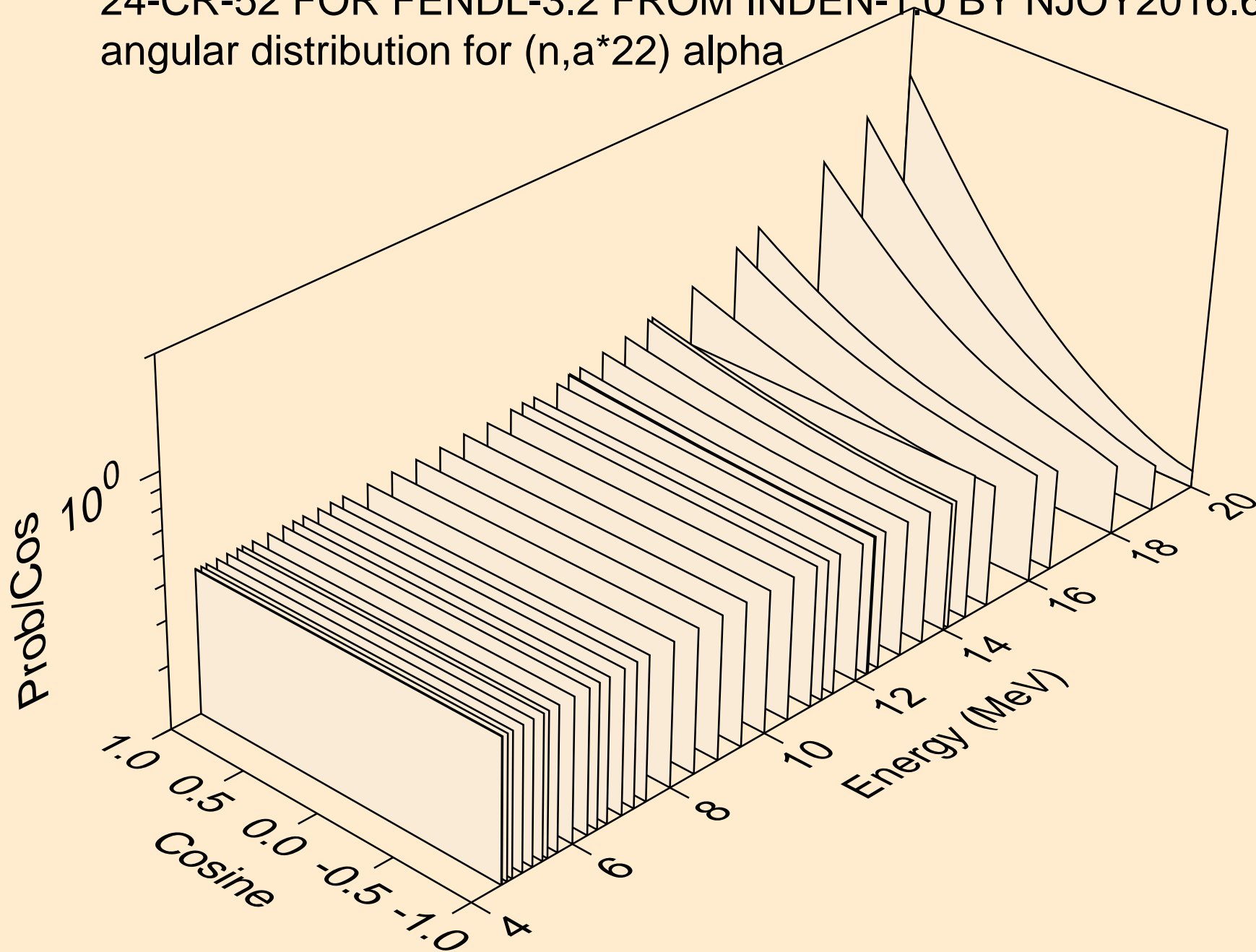
24-CR-52 FOR FENDL-3.2 FROM INDEN-1.0 BY NJOY2016.60+ OI
angular distribution for (n,a*21) alpha



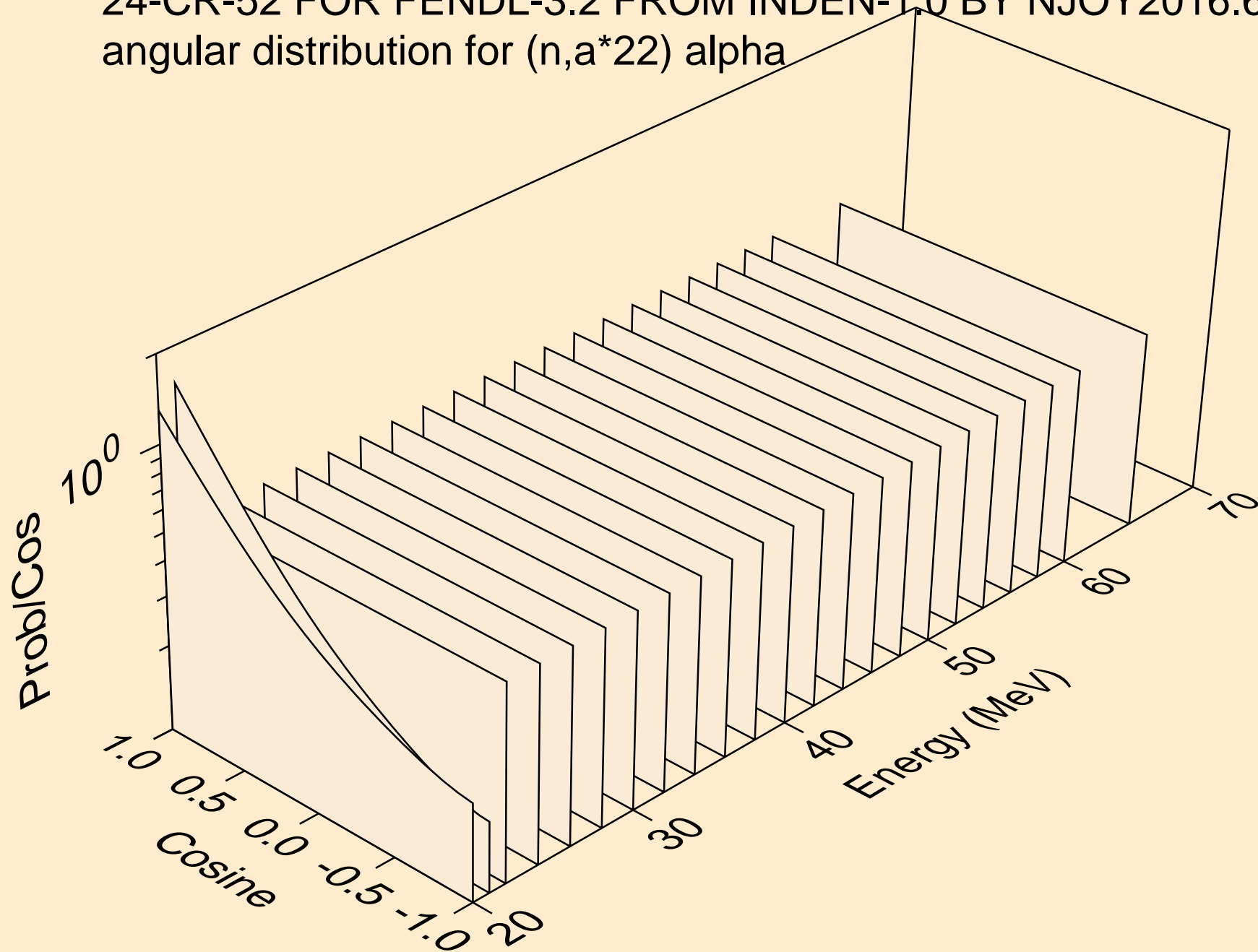
24-CR-52 FOR FENDL-3.2 FROM INDEN-1.0 BY NJOY2016.60+ OI
angular distribution for (n, α *21) alpha



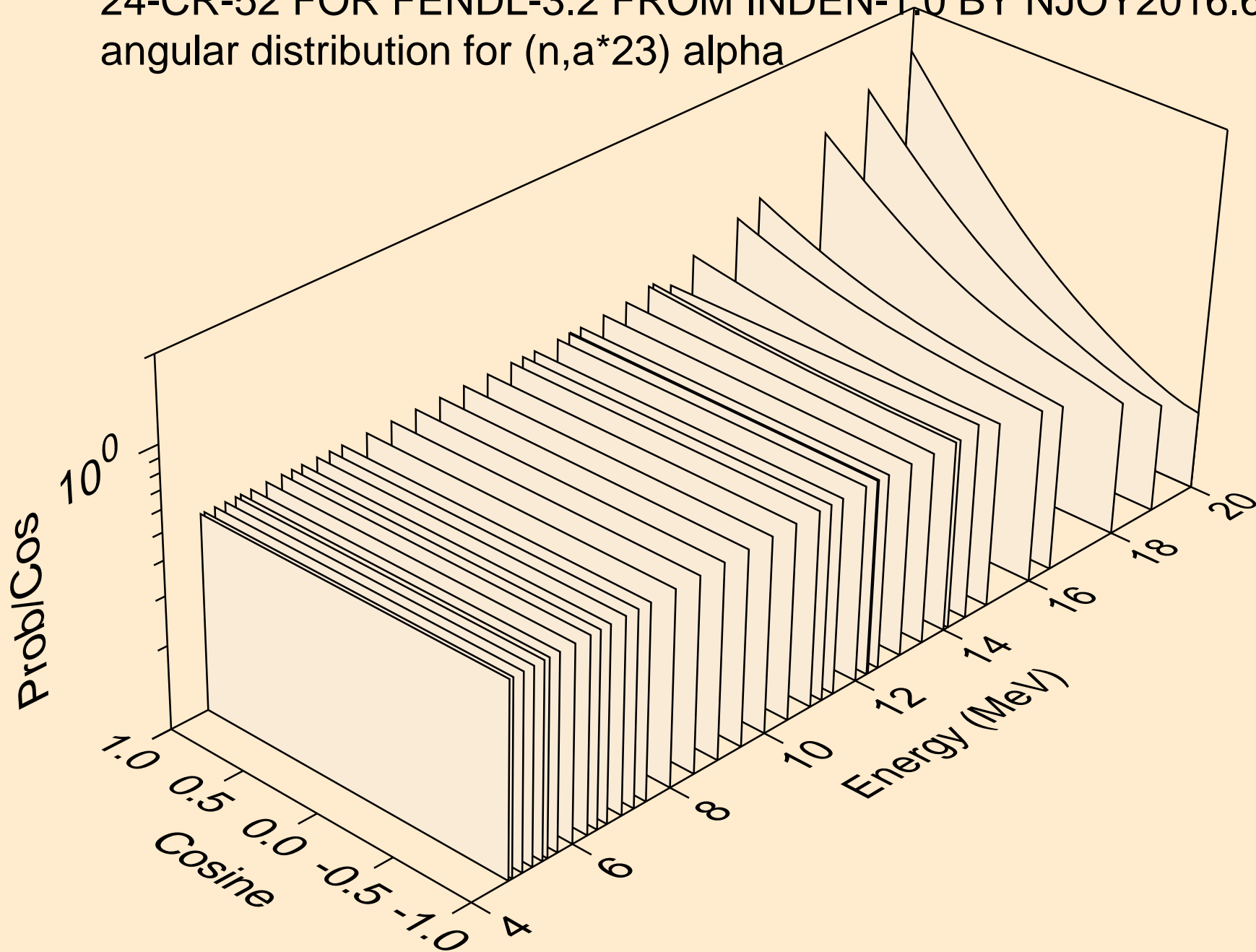
24-CR-52 FOR FENDL-3.2 FROM INDEN-1.0 BY NJOY2016.60+ OI
angular distribution for (n,a*22) alpha



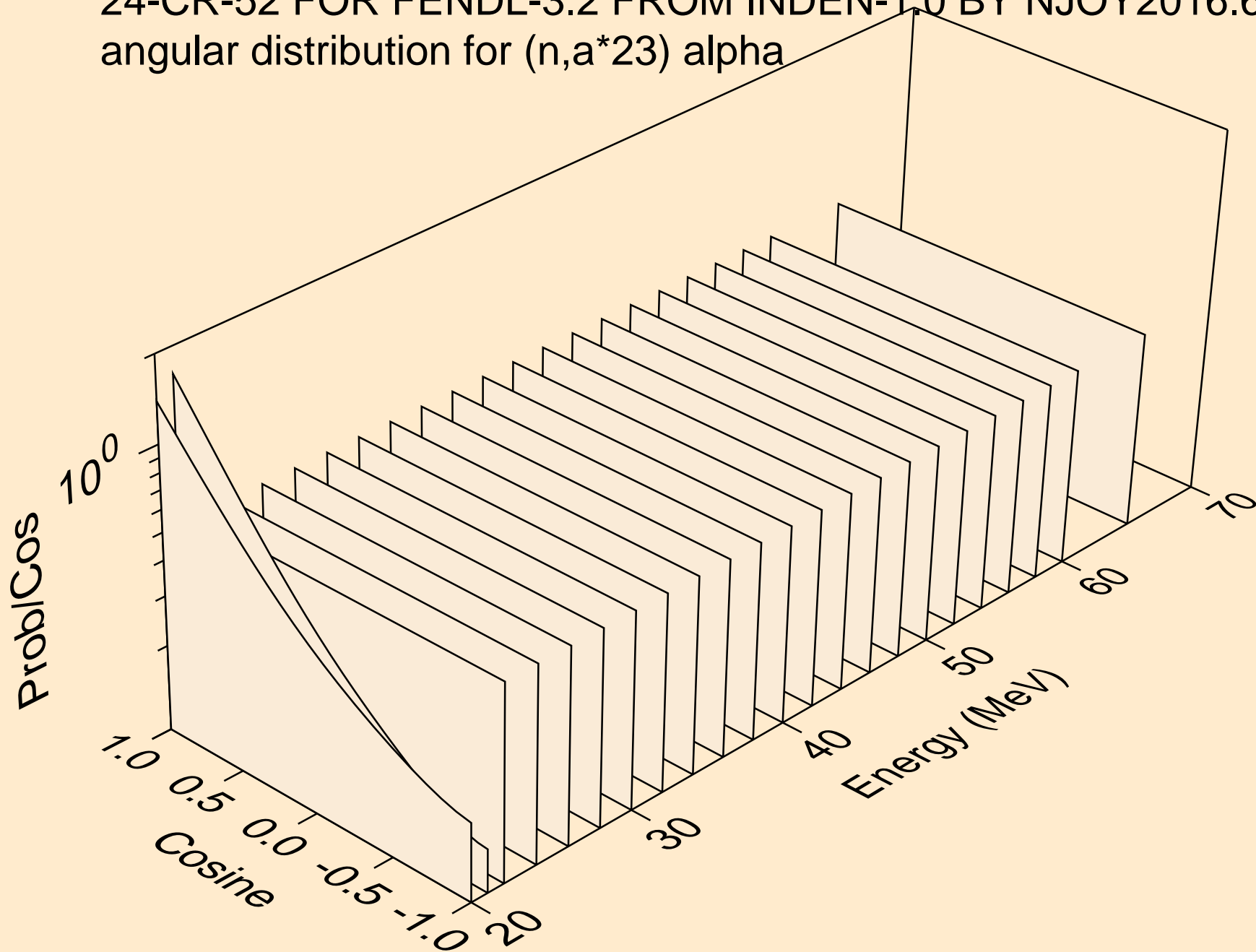
24-CR-52 FOR FENDL-3.2 FROM INDEN-1.0 BY NJOY2016.60+ OI
angular distribution for (n, α *22) alpha



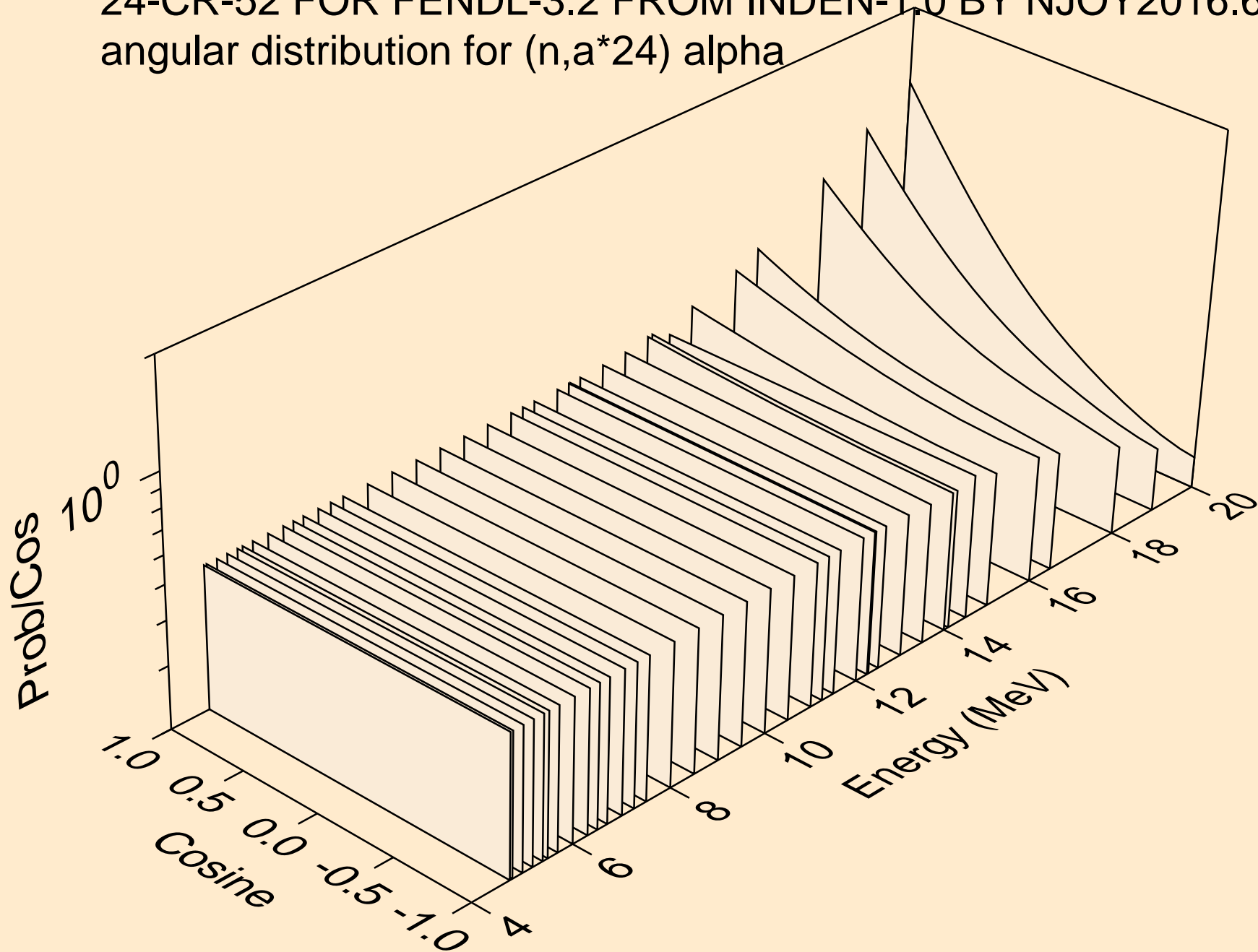
24-CR-52 FOR FENDL-3.2 FROM INDEN-1.0 BY NJOY2016.60+ OI
angular distribution for (n, α *23) alpha



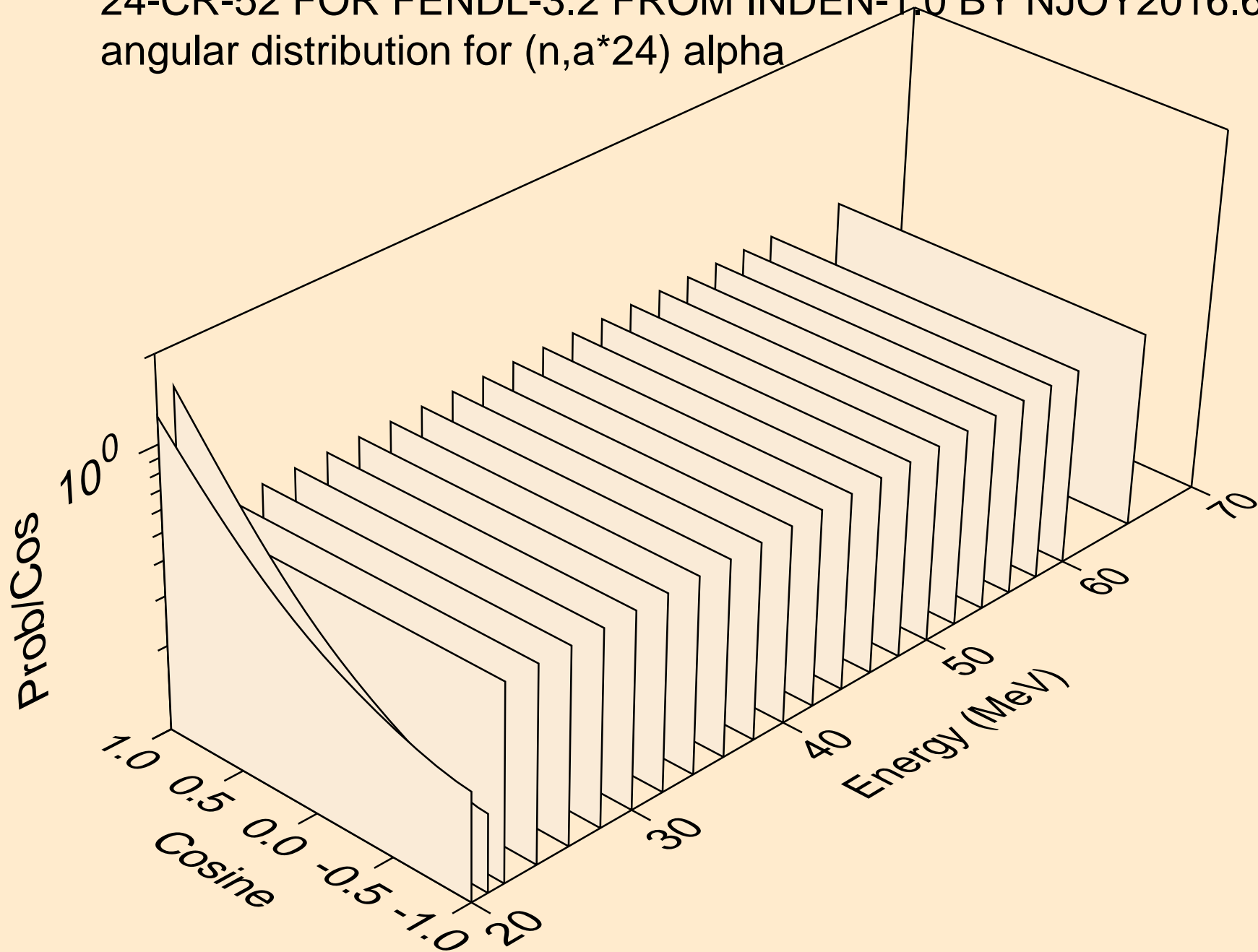
24-CR-52 FOR FENDL-3.2 FROM INDEN-1.0 BY NJOY2016.60+ OI
angular distribution for (n, α *23) alpha



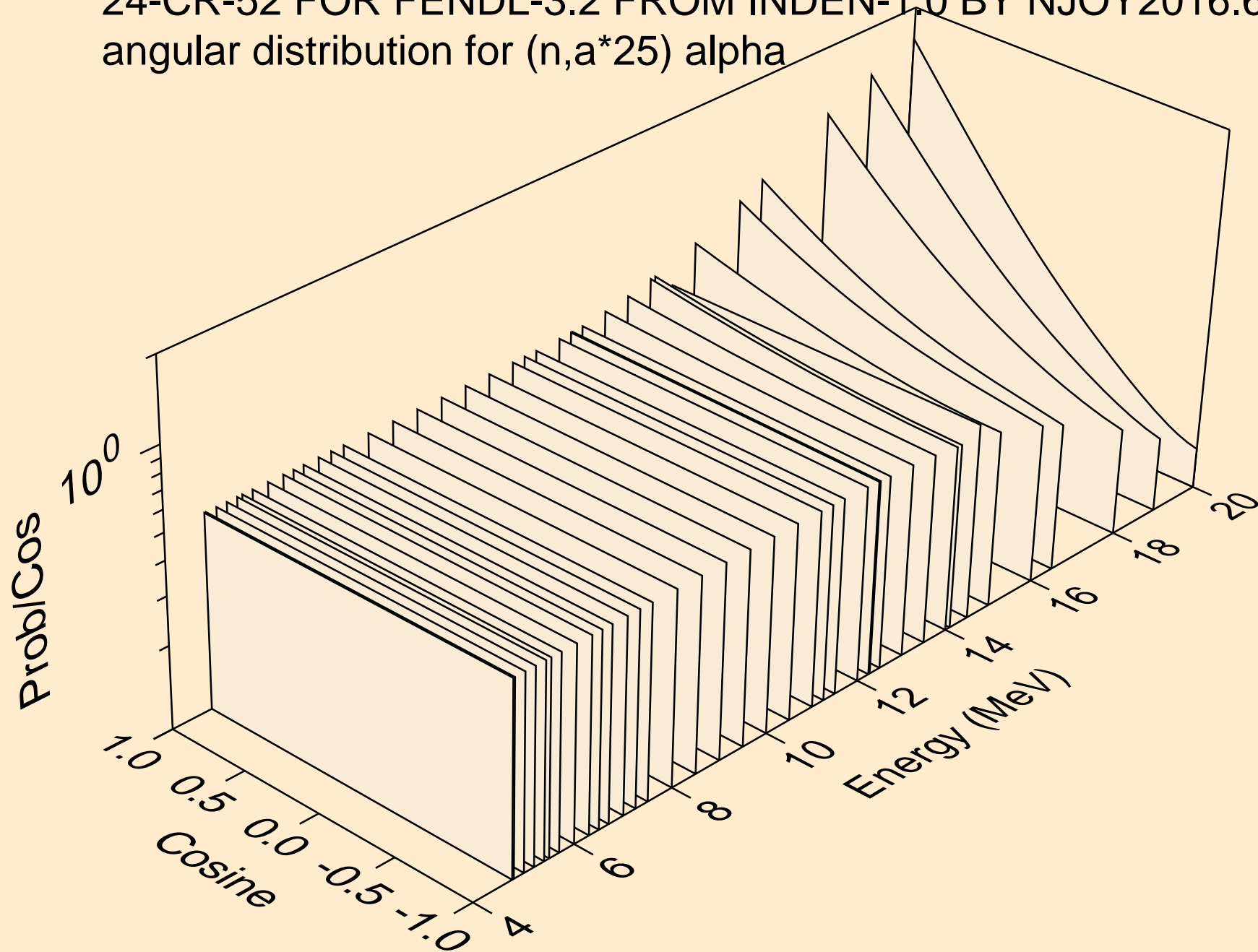
24-CR-52 FOR FENDL-3.2 FROM INDEN-1.0 BY NJOY2016.60+ OI
angular distribution for (n,a*24) alpha



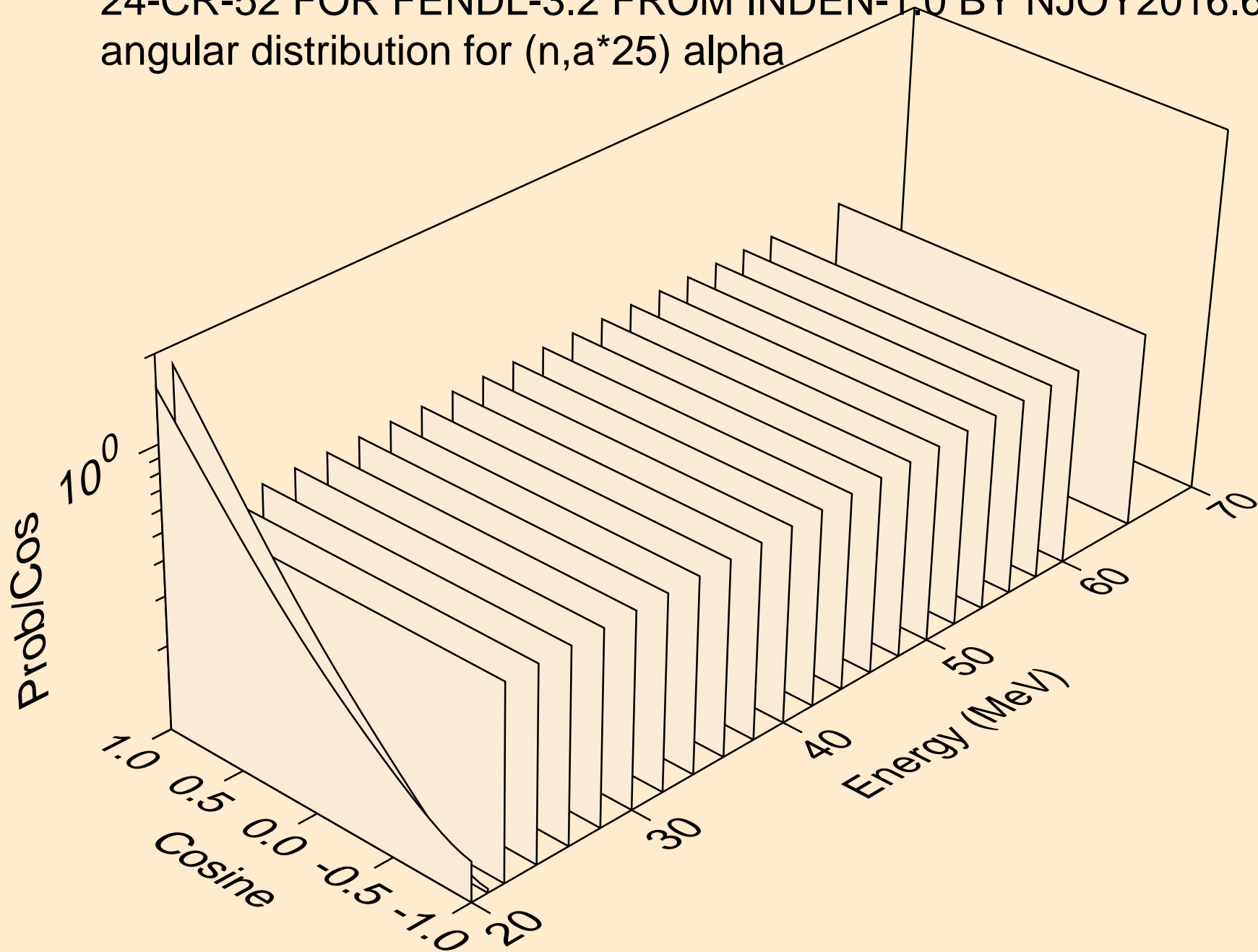
24-CR-52 FOR FENDL-3.2 FROM INDEN-1.0 BY NJOY2016.60+ OI
angular distribution for (n,a*24) alpha



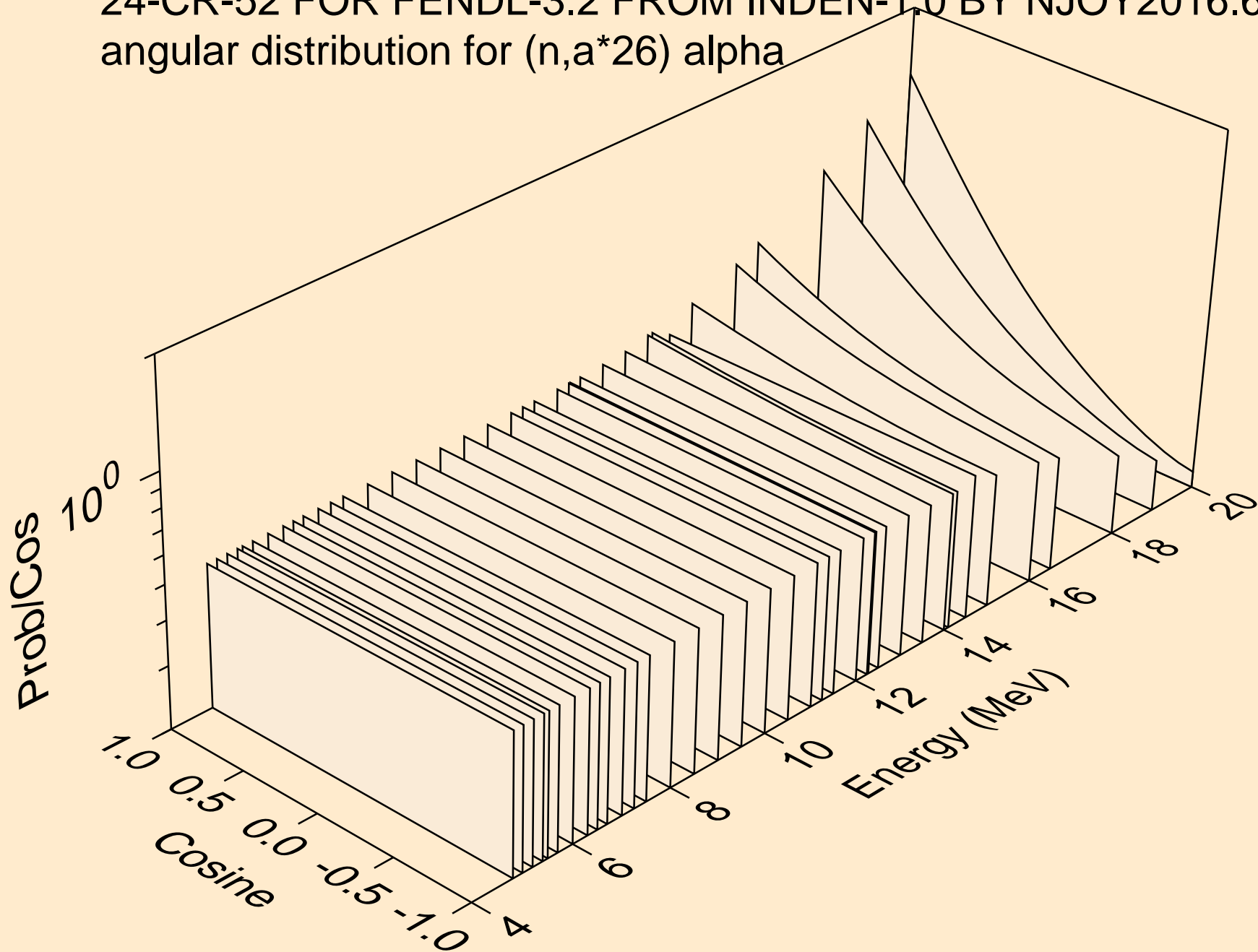
24-CR-52 FOR FENDL-3.2 FROM INDEN-1.0 BY NJOY2016.60+ OI
angular distribution for (n,a*25) alpha



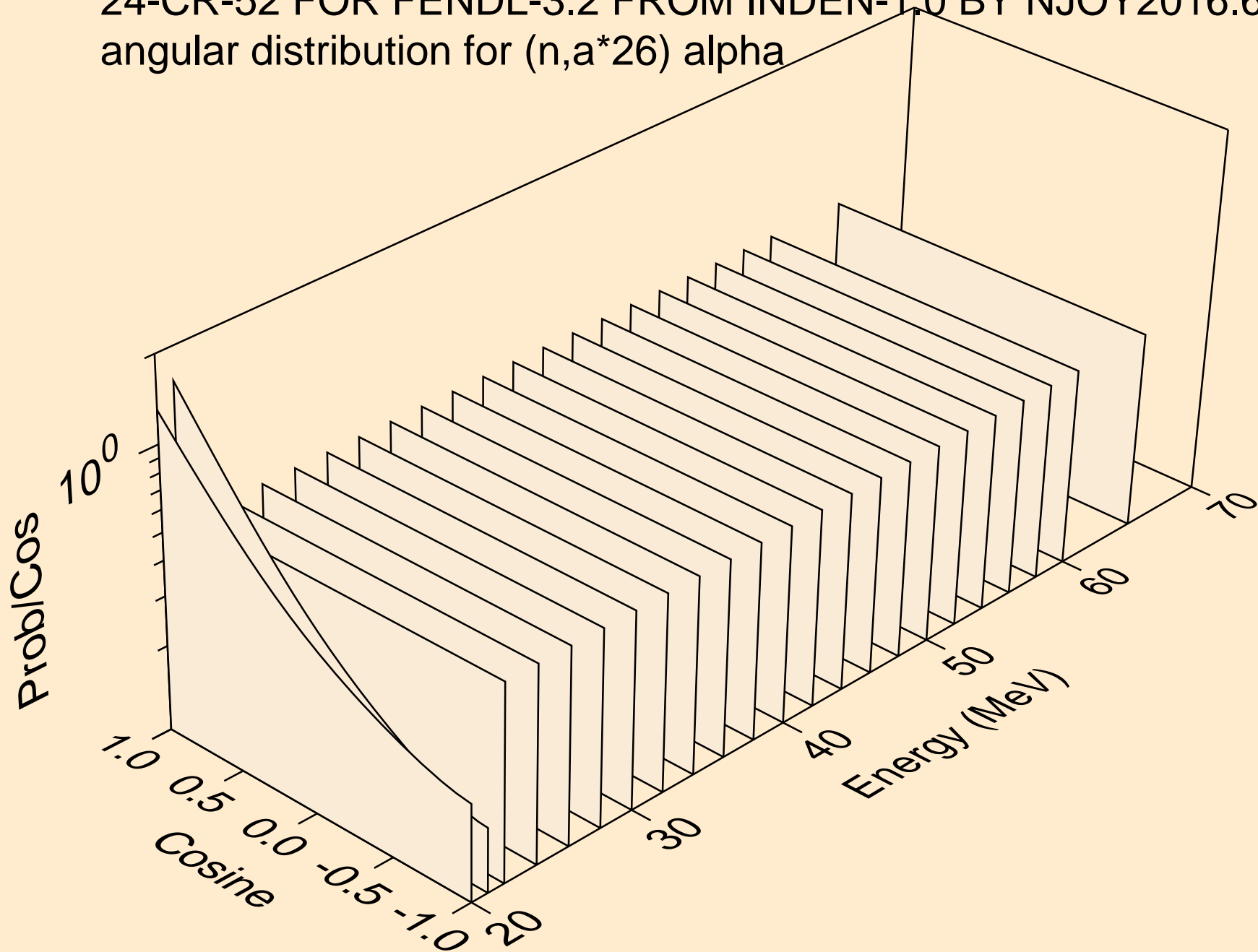
24-CR-52 FOR FENDL-3.2 FROM INDEN-1.0 BY NJOY2016.60+ OI
angular distribution for (n,a*25) alpha



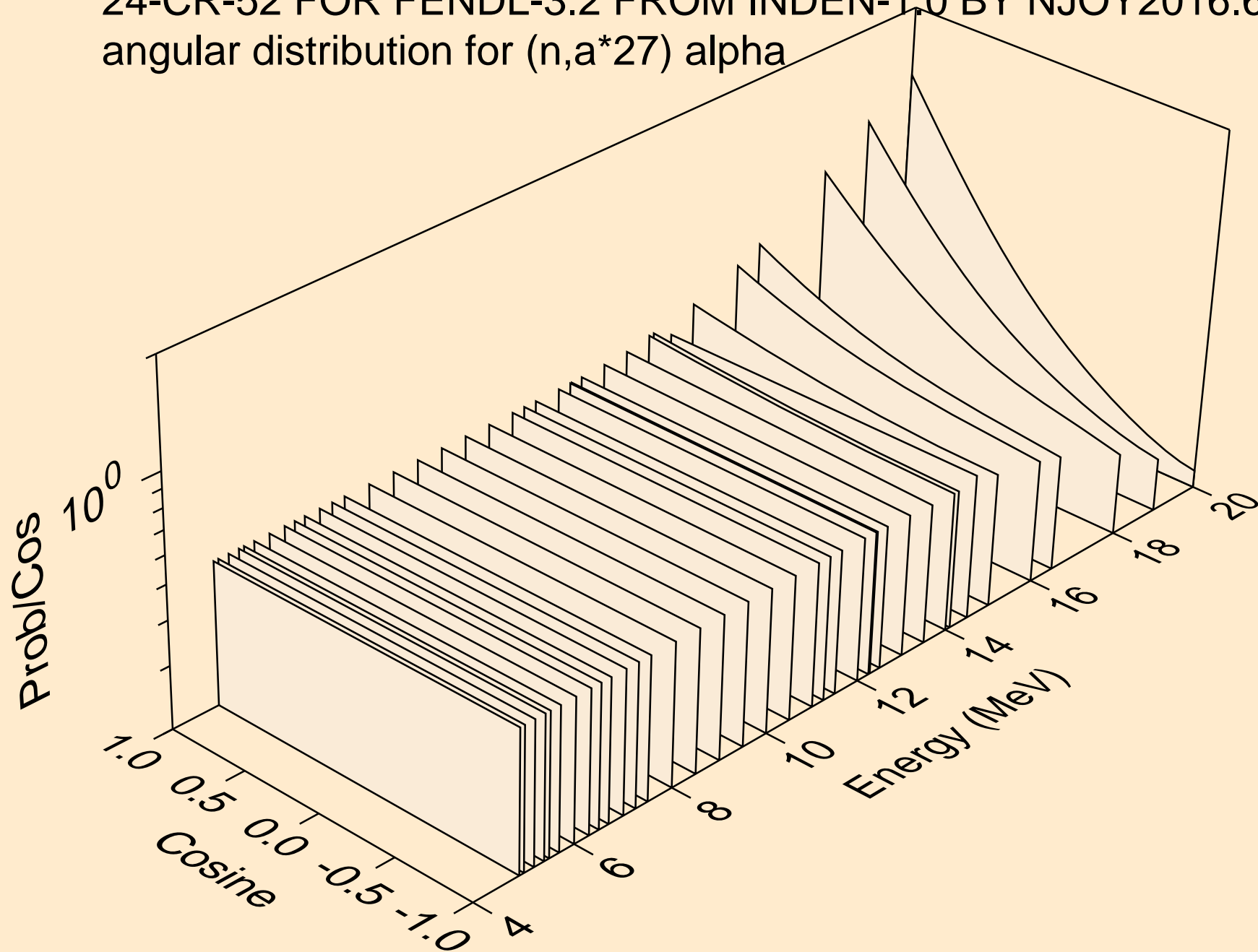
24-CR-52 FOR FENDL-3.2 FROM INDEN-1.0 BY NJOY2016.60+ OI
angular distribution for (n,a*26) alpha



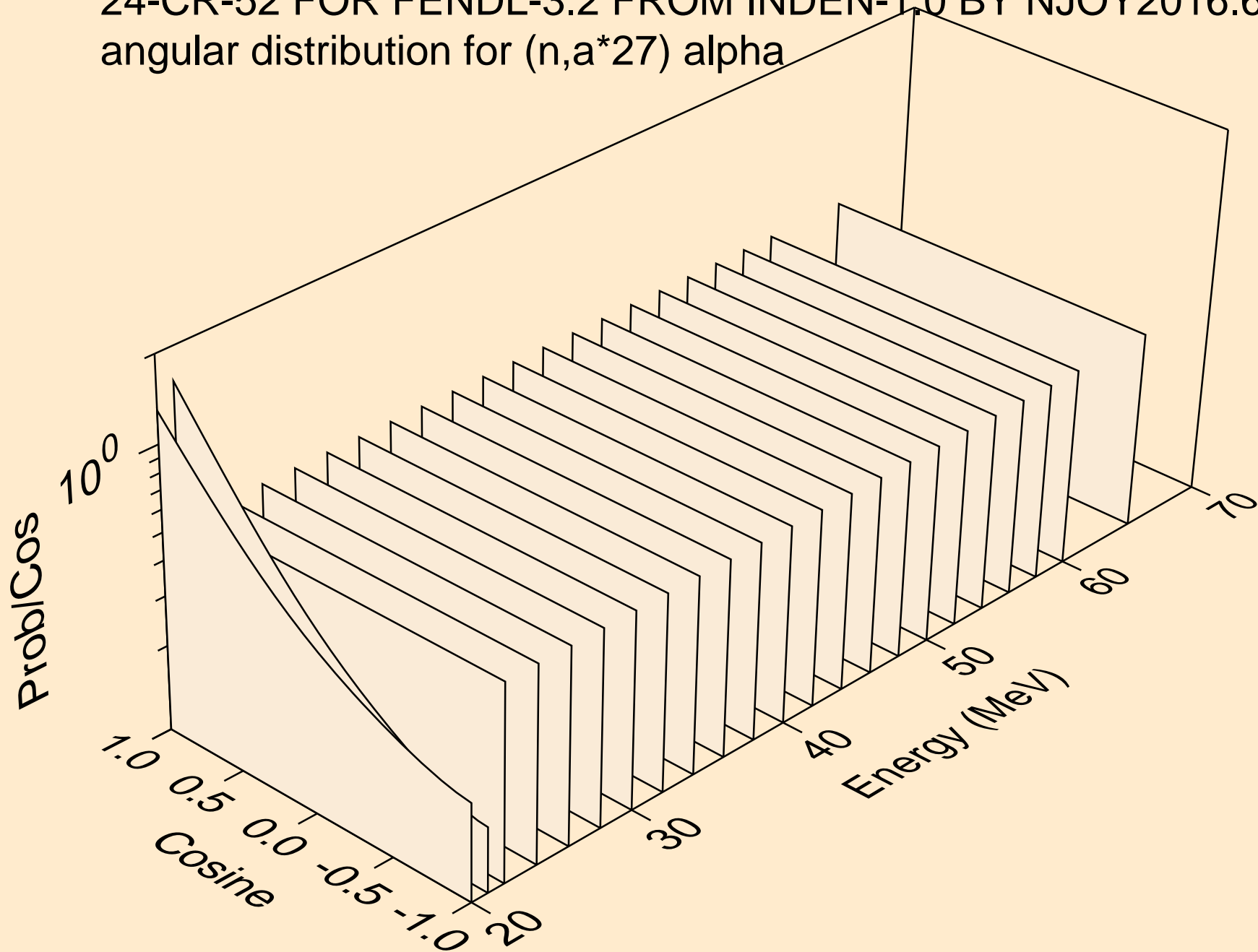
24-CR-52 FOR FENDL-3.2 FROM INDEN-1.0 BY NJOY2016.60+ OI
angular distribution for (n, α *26) alpha



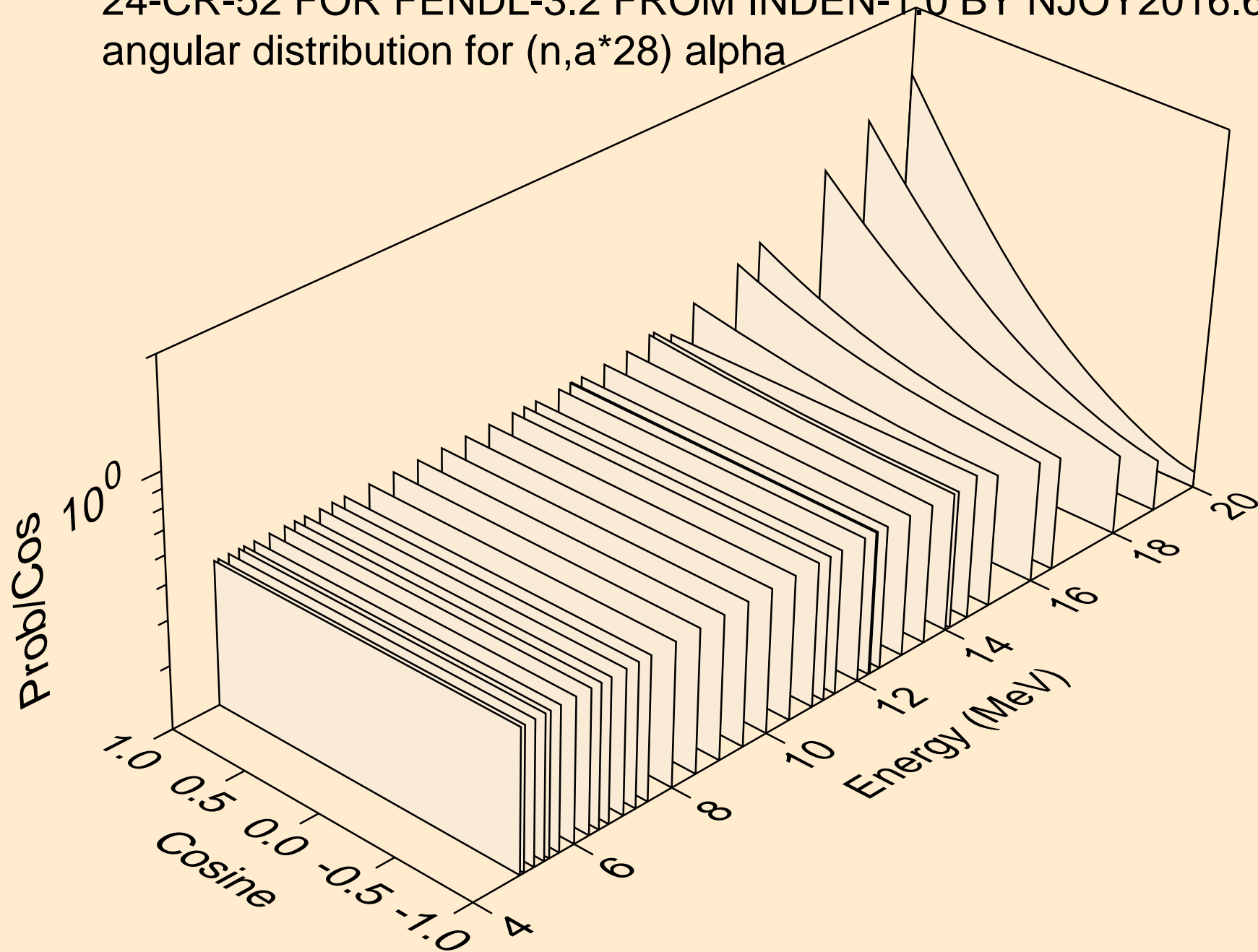
24-CR-52 FOR FENDL-3.2 FROM INDEN-1.0 BY NJOY2016.60+ OI
angular distribution for (n, α *27) alpha



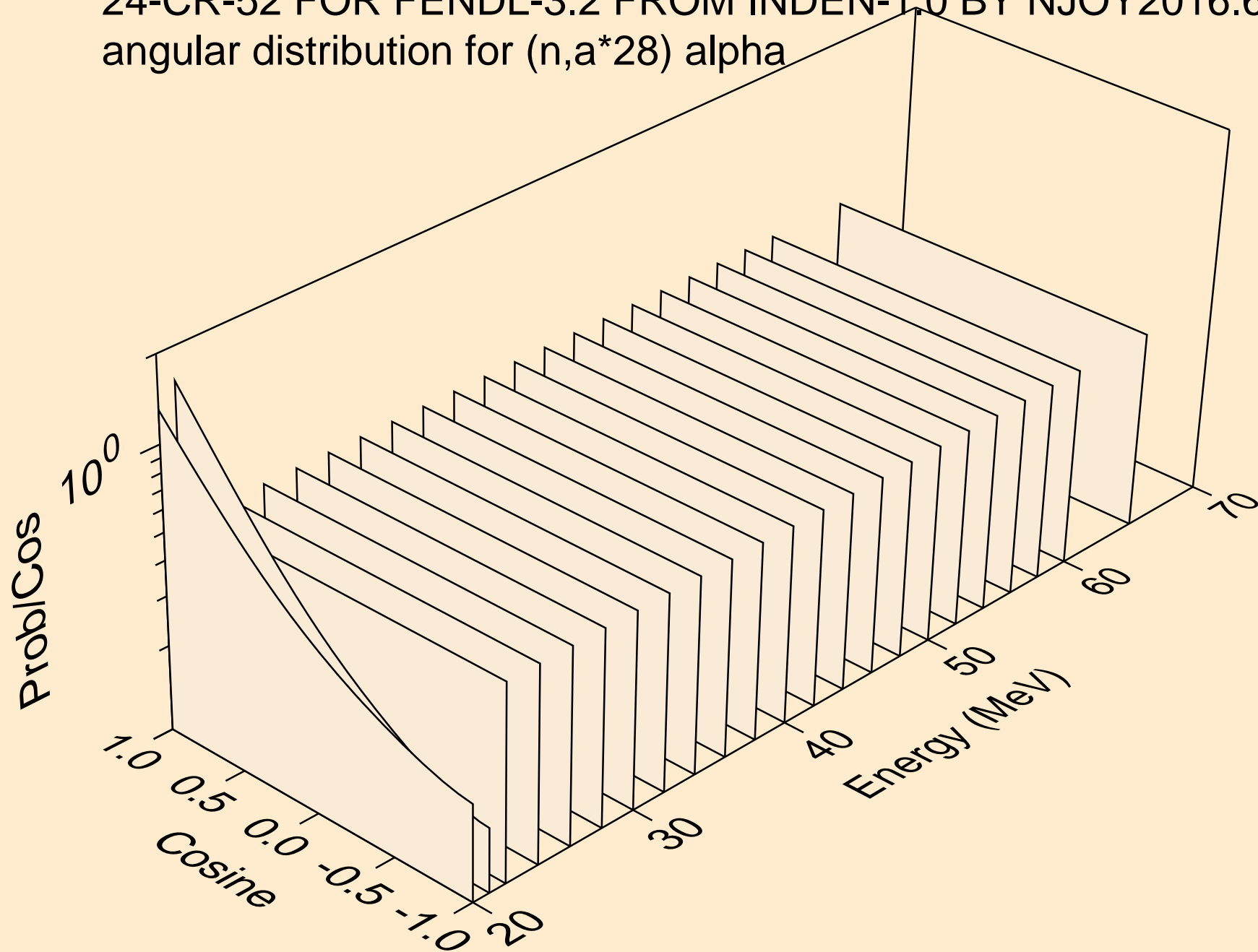
24-CR-52 FOR FENDL-3.2 FROM INDEN-1.0 BY NJOY2016.60+ OI
angular distribution for (n, α *27) alpha



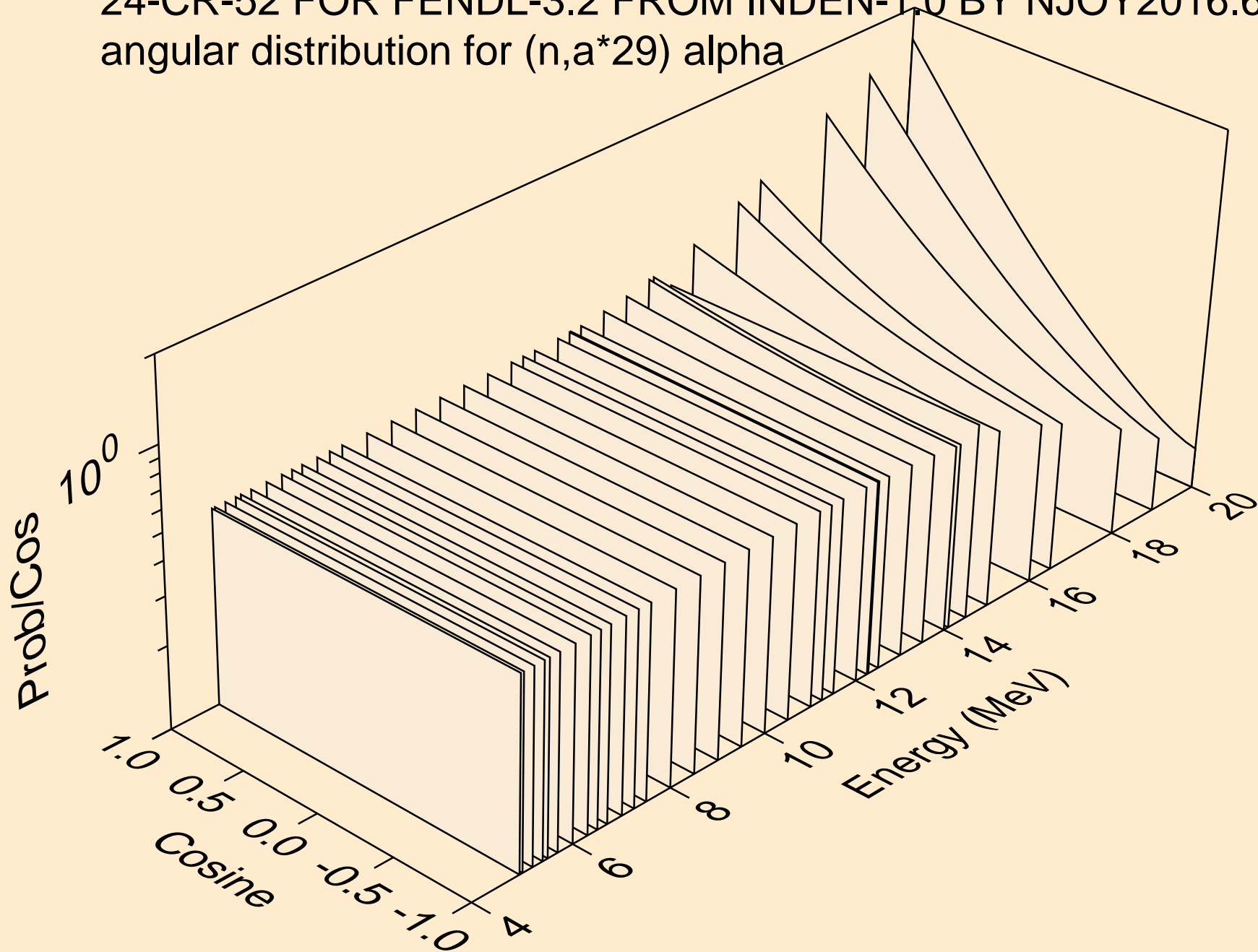
24-CR-52 FOR FENDL-3.2 FROM INDEN-1.0 BY NJOY2016.60+ OI
angular distribution for (n,a*28) alpha



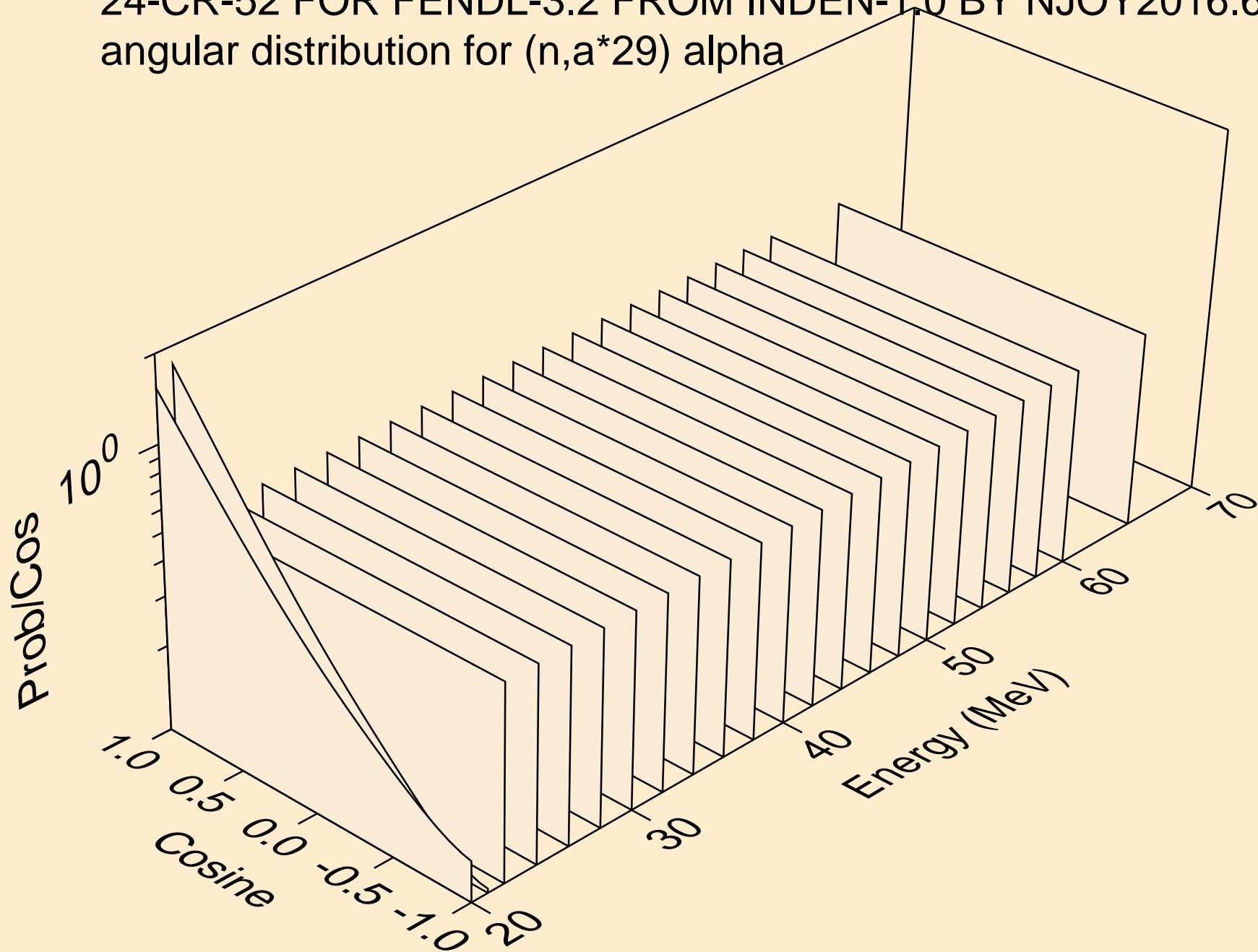
24-CR-52 FOR FENDL-3.2 FROM INDEN-1.0 BY NJOY2016.60+ OI
angular distribution for (n, α *28) alpha



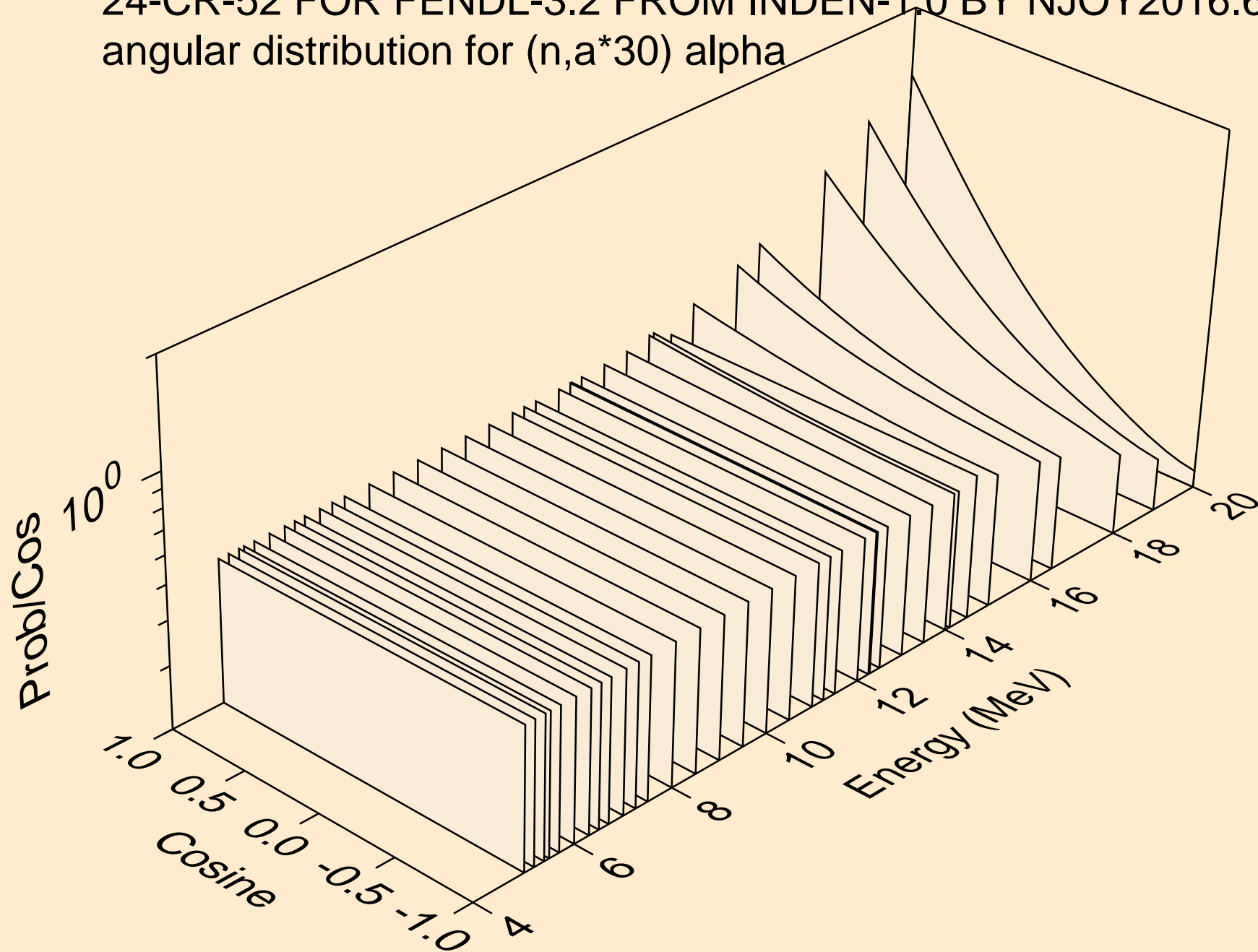
24-CR-52 FOR FENDL-3.2 FROM INDEN-1.0 BY NJOY2016.60+ OI
angular distribution for (n, α *29) alpha



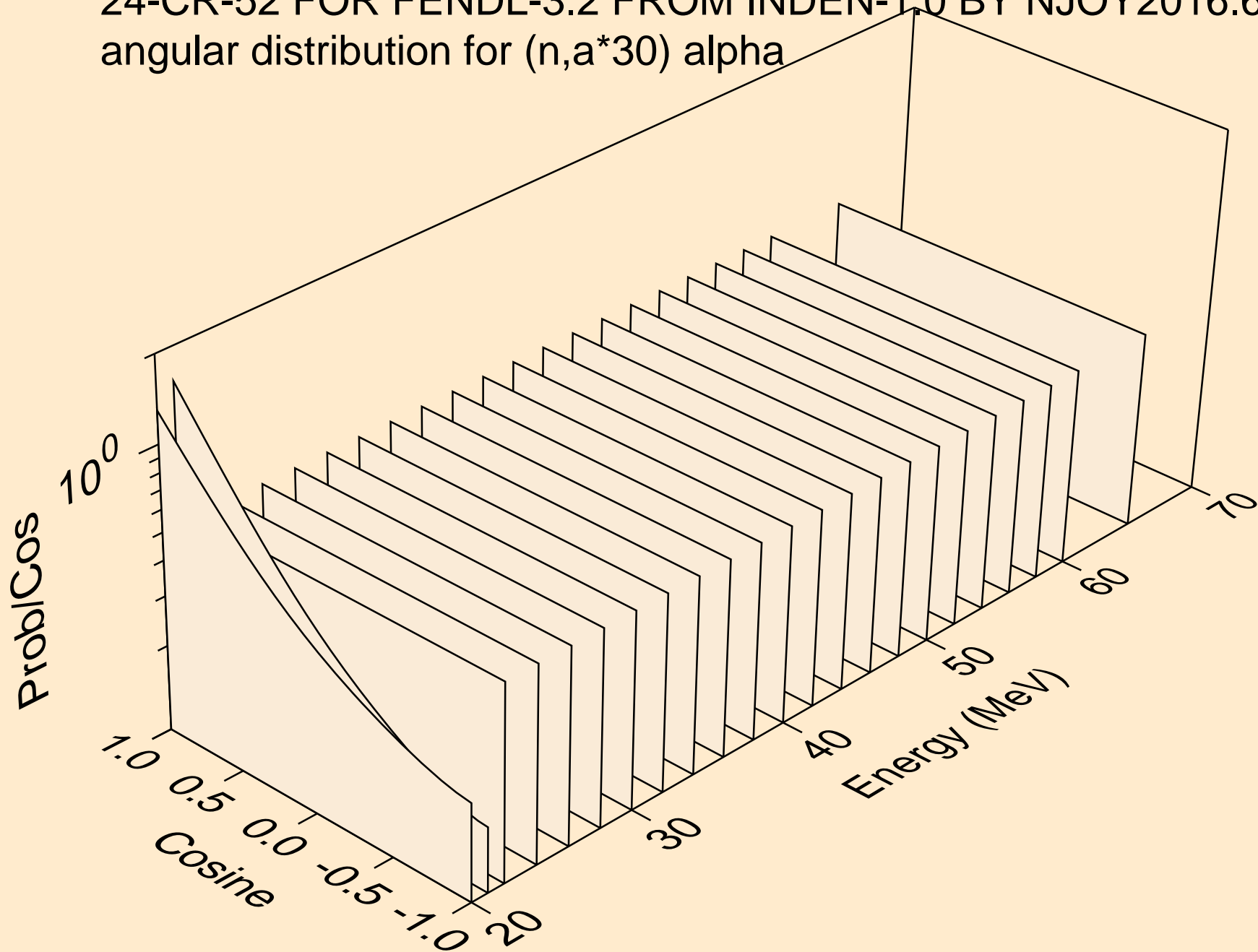
24-CR-52 FOR FENDL-3.2 FROM INDEN-1.0 BY NJOY2016.60+ OI
angular distribution for (n,a*29) alpha



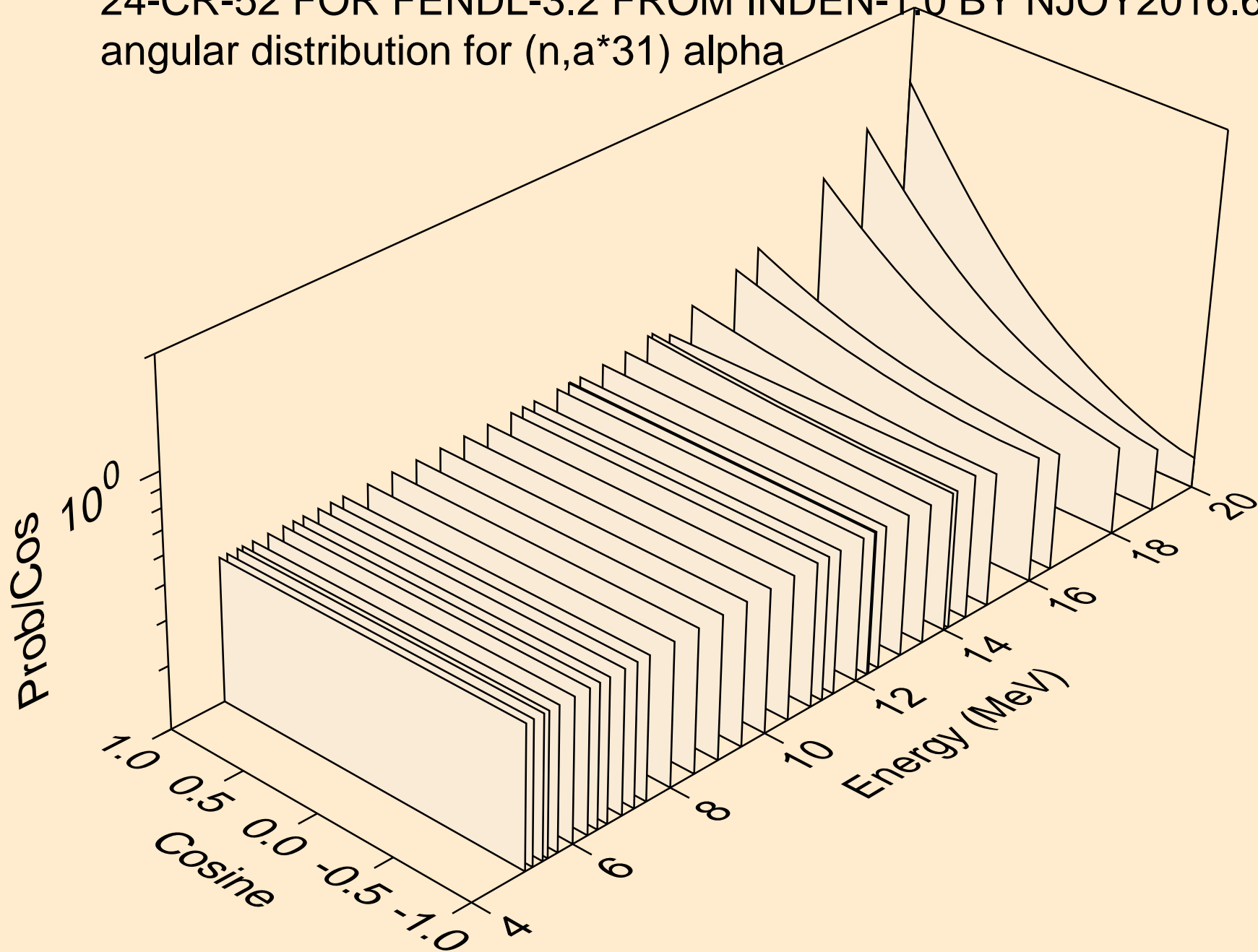
24-CR-52 FOR FENDL-3.2 FROM INDEN-1.0 BY NJOY2016.60+ OI
angular distribution for (n,a*30) alpha



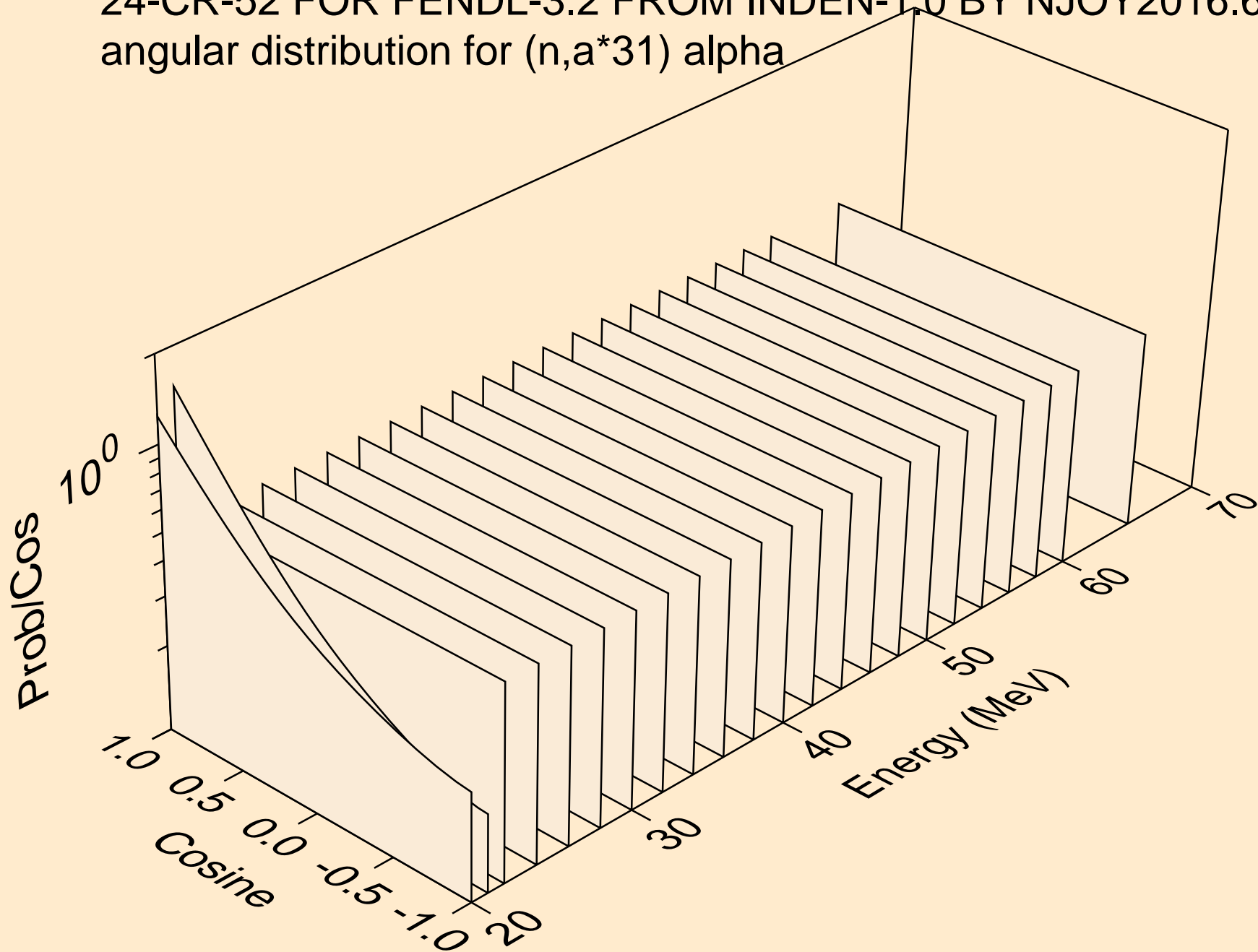
24-CR-52 FOR FENDL-3.2 FROM INDEN-1.0 BY NJOY2016.60+ OI
angular distribution for (n,a*30) alpha



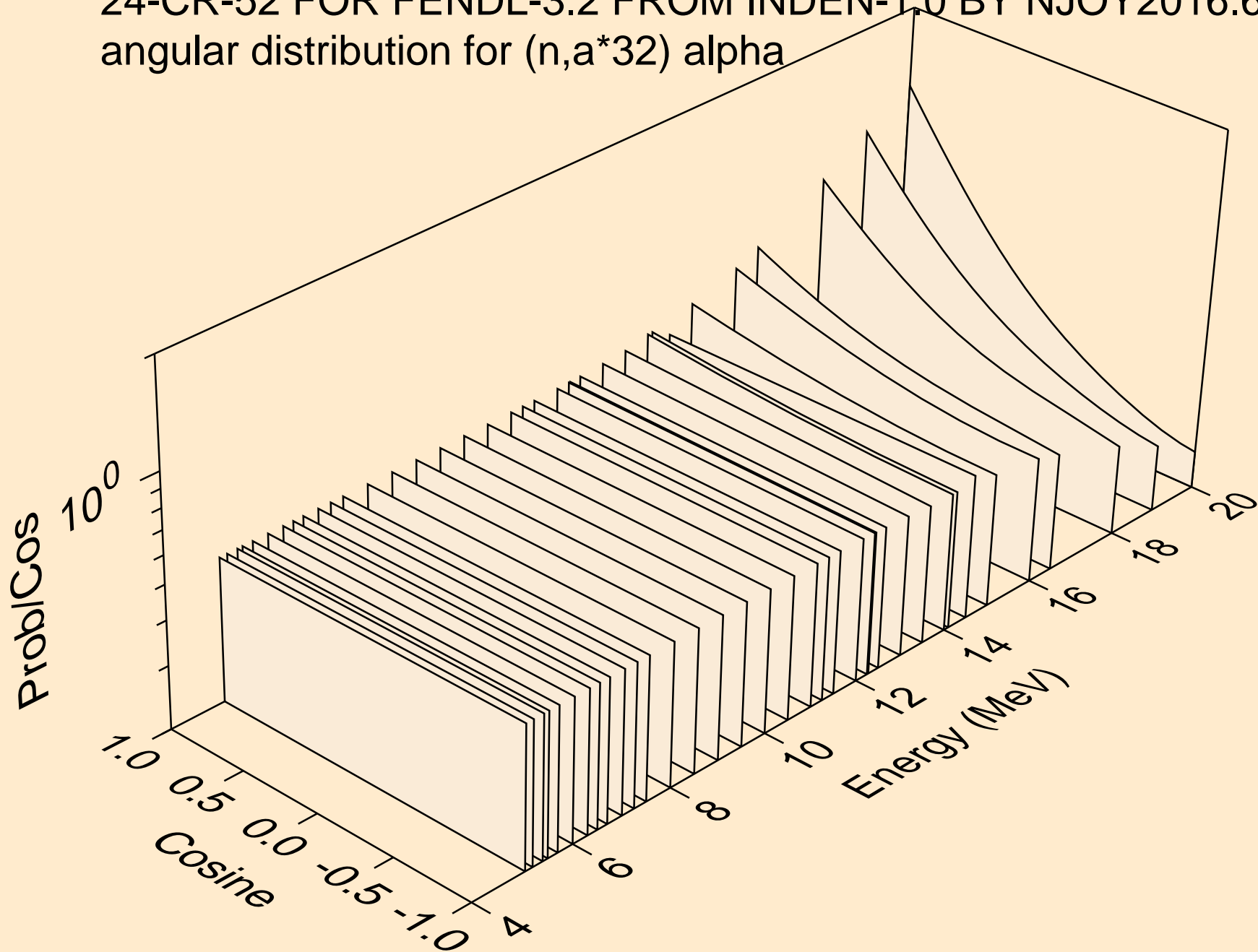
24-CR-52 FOR FENDL-3.2 FROM INDEN-1.0 BY NJOY2016.60+ OI
angular distribution for (n,a*31) alpha



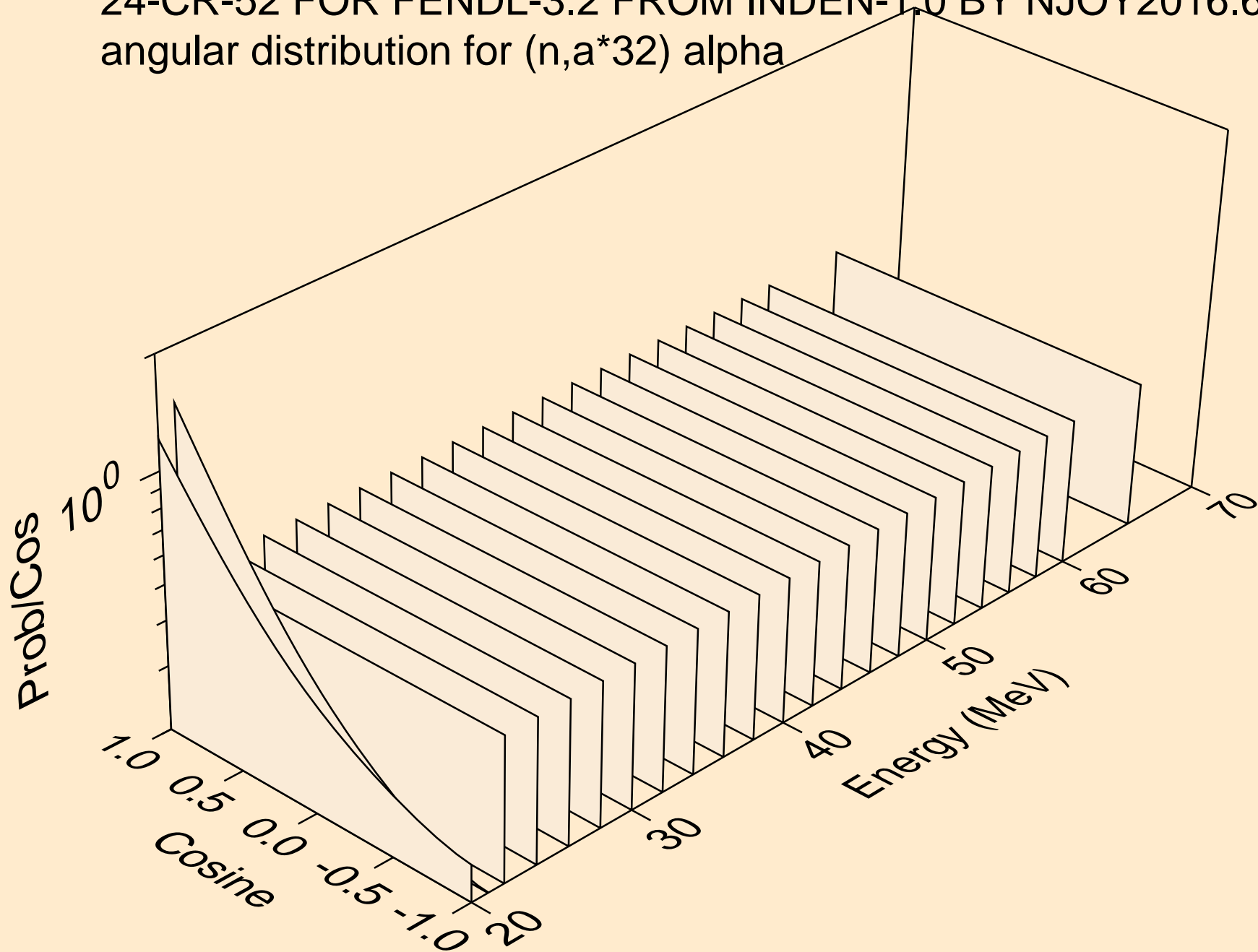
24-CR-52 FOR FENDL-3.2 FROM INDEN-1.0 BY NJOY2016.60+ OI
angular distribution for (n,a*31) alpha



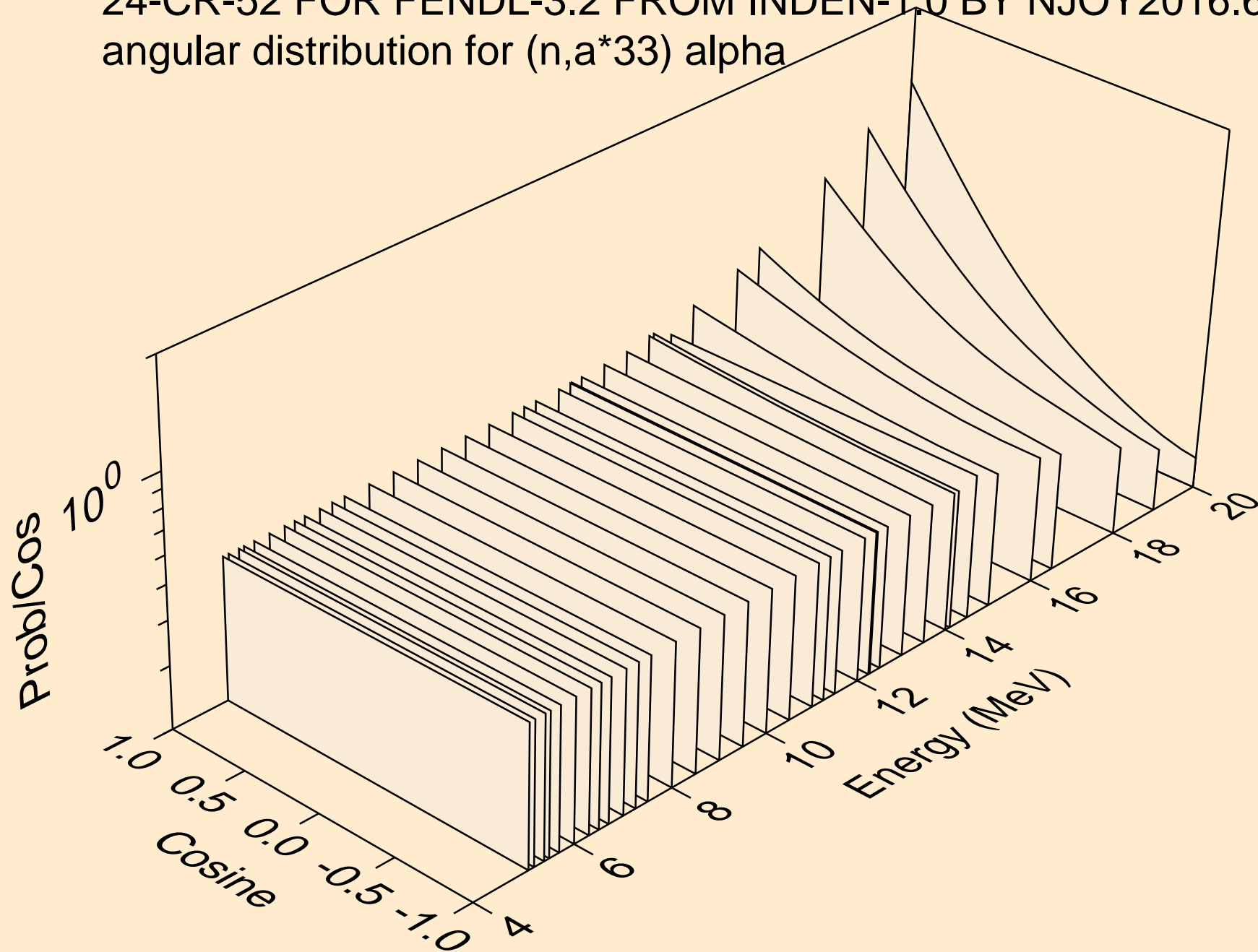
24-CR-52 FOR FENDL-3.2 FROM INDEN-1.0 BY NJOY2016.60+ OI
angular distribution for (n,a*32) alpha



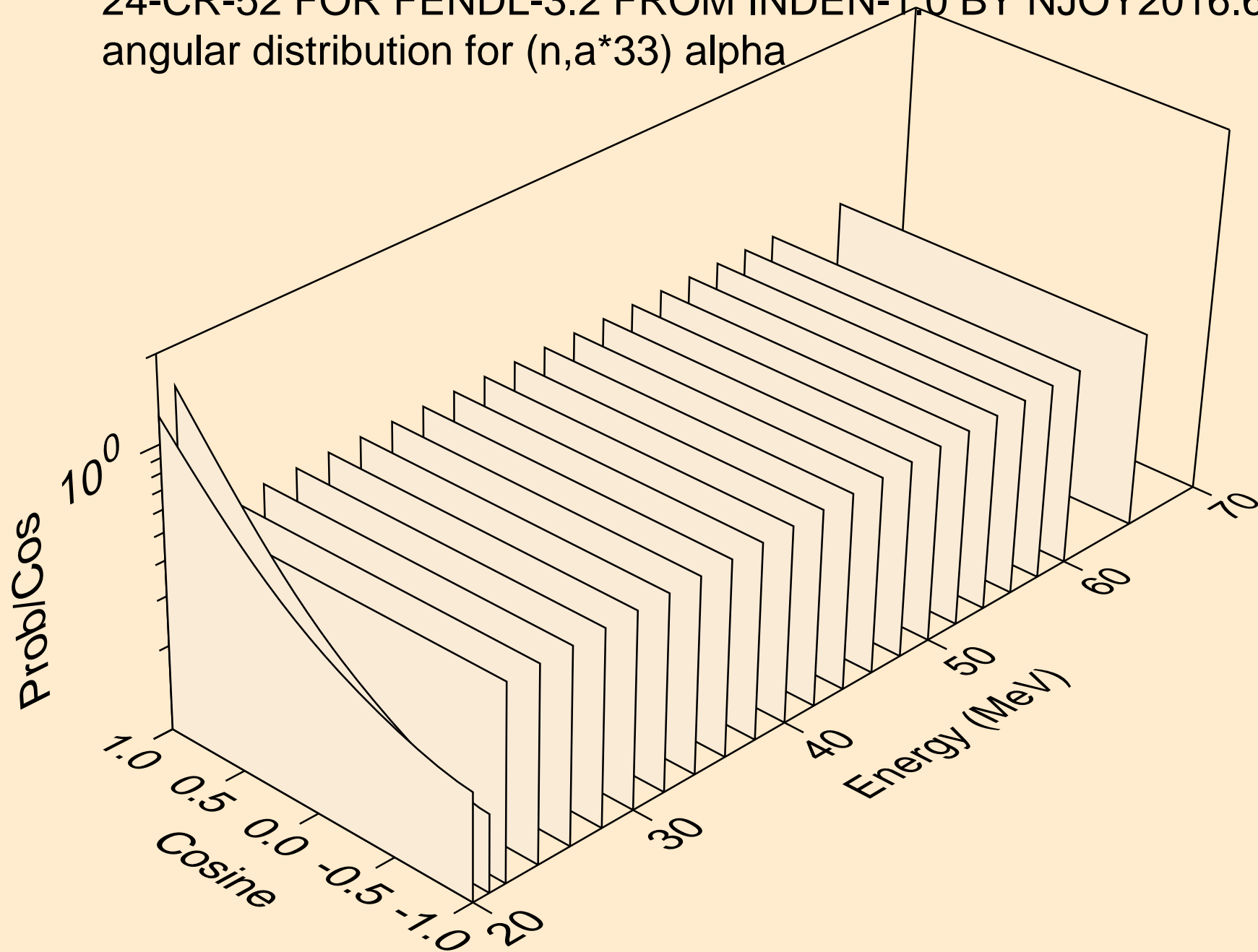
24-CR-52 FOR FENDL-3.2 FROM INDEN-1.0 BY NJOY2016.60+ OI
angular distribution for (n,a*32) alpha



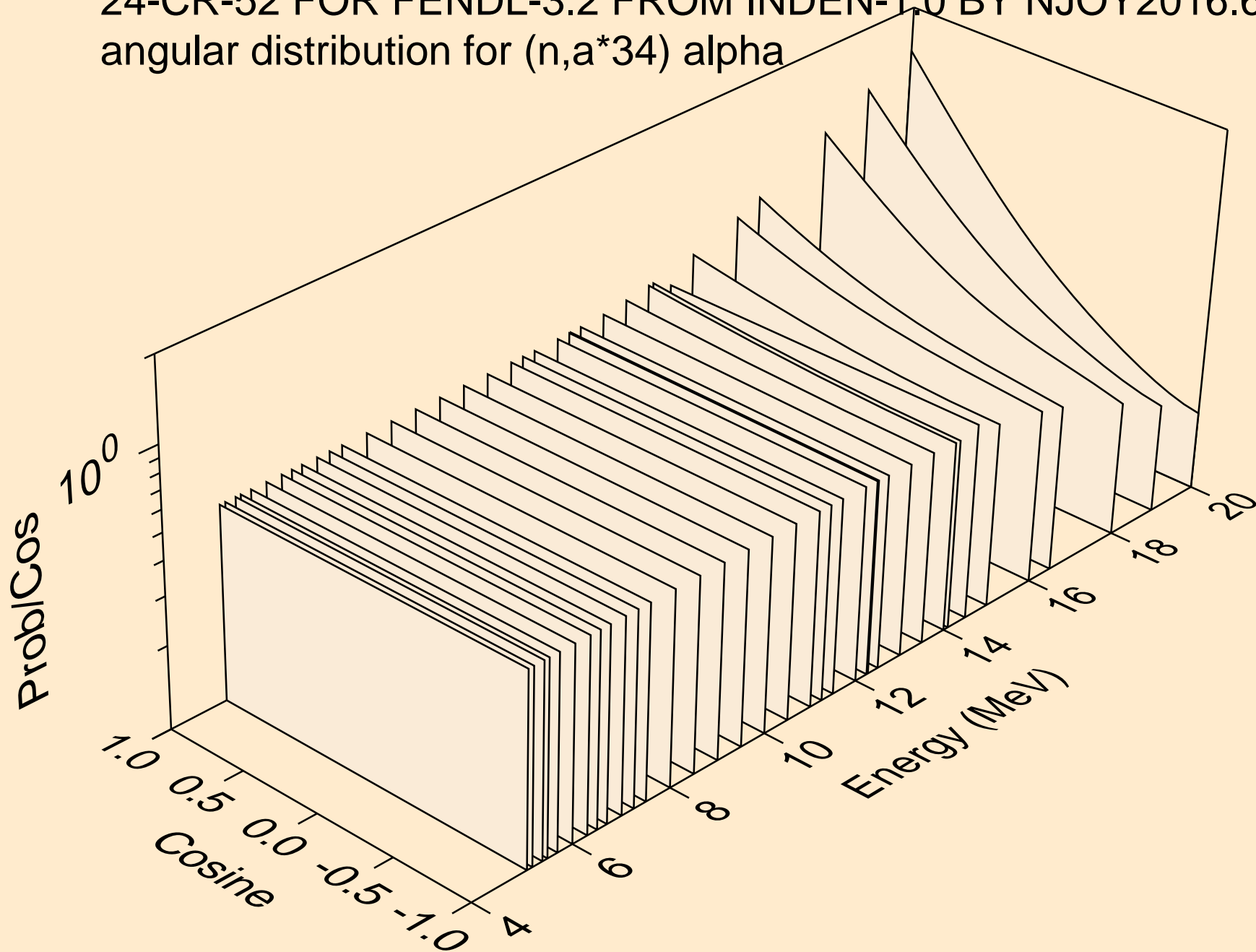
24-CR-52 FOR FENDL-3.2 FROM INDEN-1.0 BY NJOY2016.60+ OI
angular distribution for (n, α *33) alpha



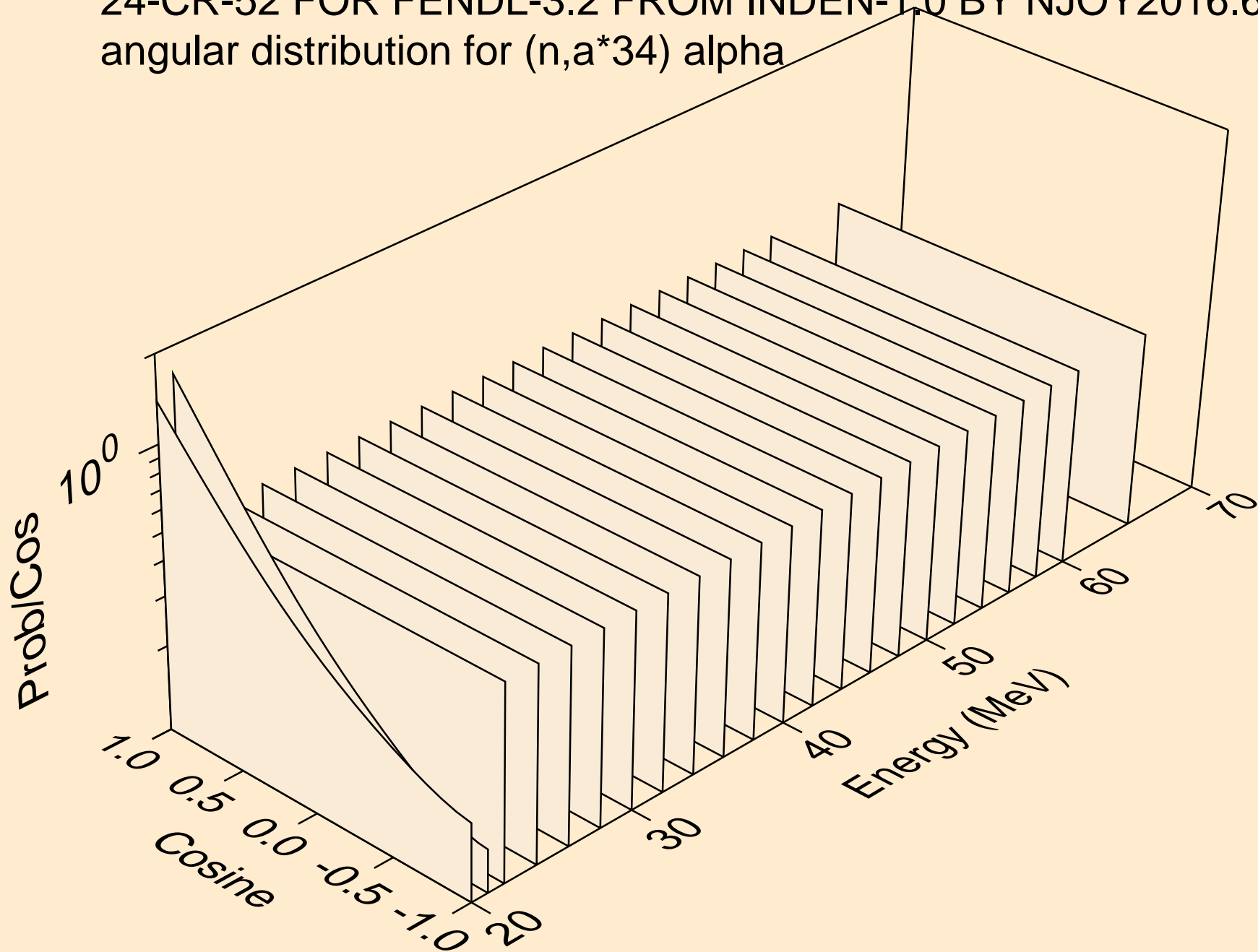
24-CR-52 FOR FENDL-3.2 FROM INDEN-1.0 BY NJOY2016.60+ OI
angular distribution for (n, α *33) alpha



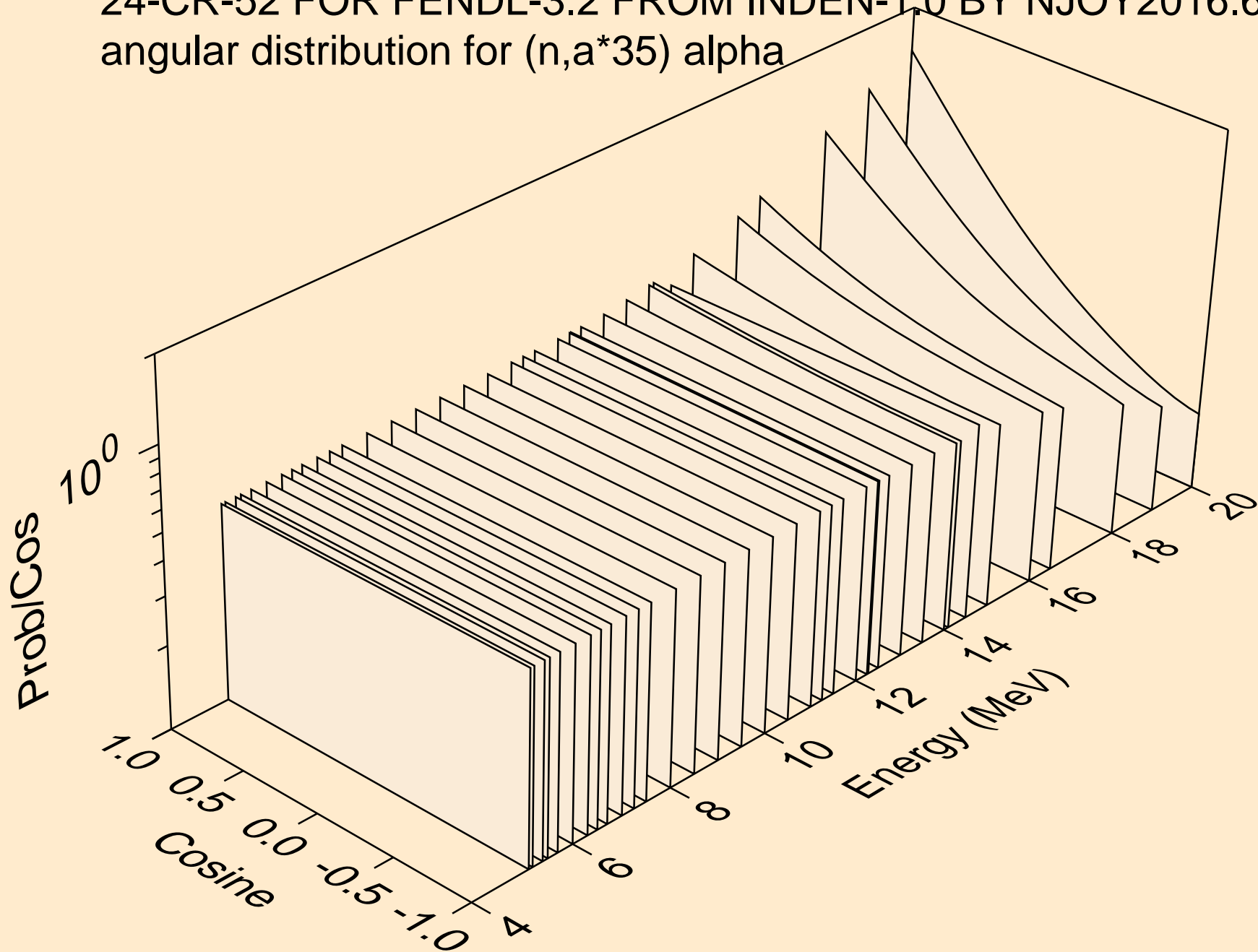
24-CR-52 FOR FENDL-3.2 FROM INDEN-1.0 BY NJOY2016.60+ OI
angular distribution for (n,a*34) alpha



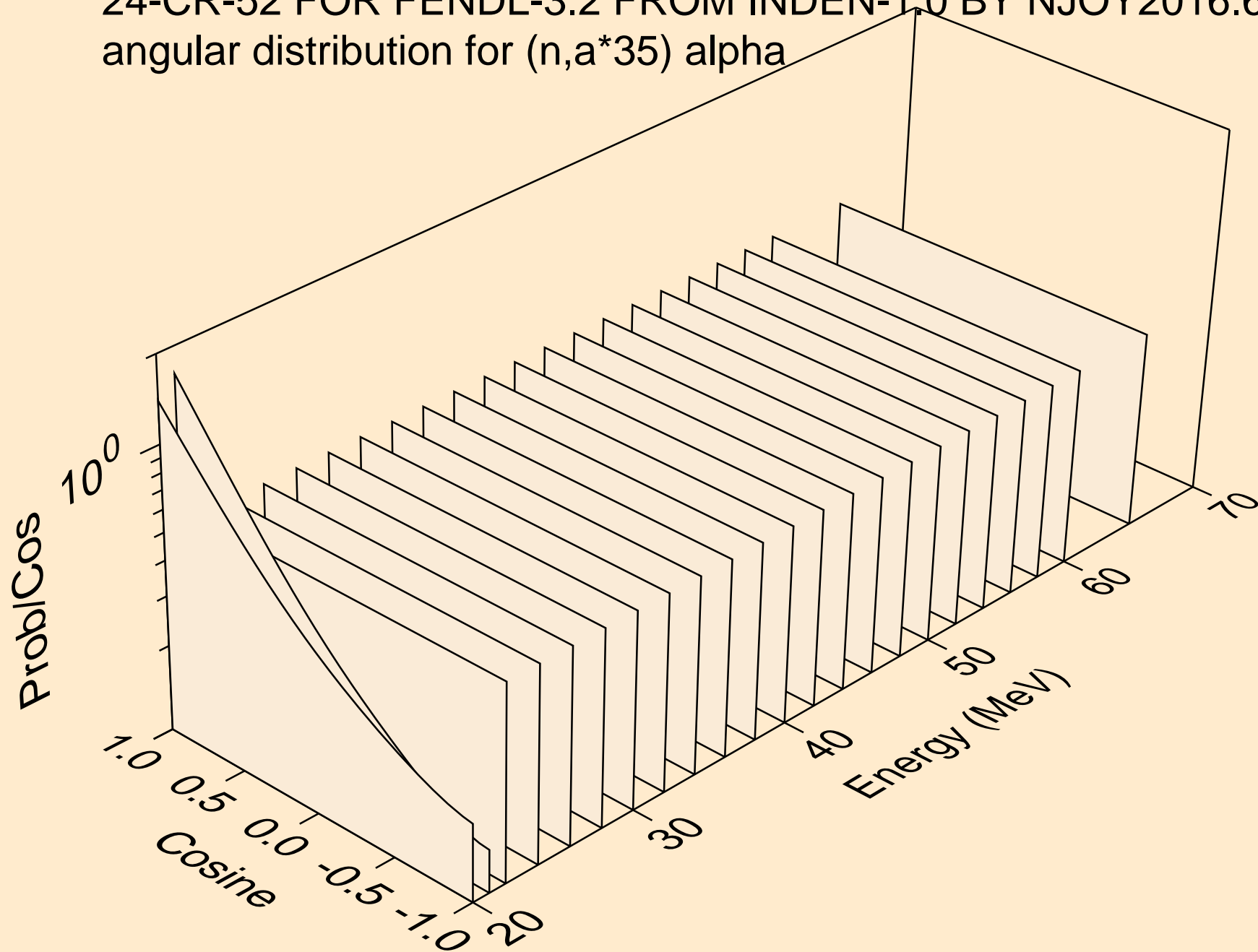
24-CR-52 FOR FENDL-3.2 FROM INDEN-1.0 BY NJOY2016.60+ OI
angular distribution for (n,a*34) alpha



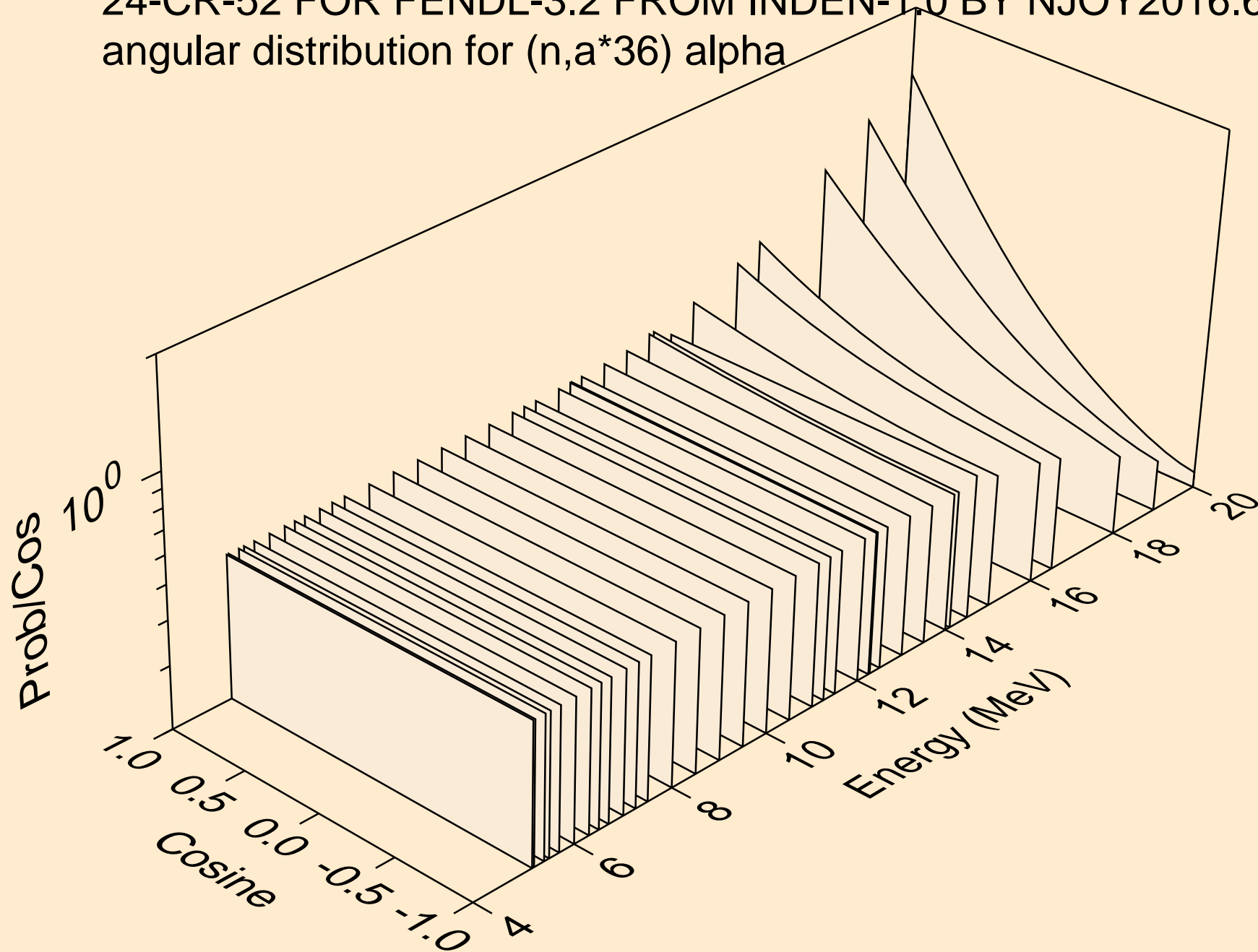
24-CR-52 FOR FENDL-3.2 FROM INDEN-1.0 BY NJOY2016.60+ OI
angular distribution for (n, α *35) alpha



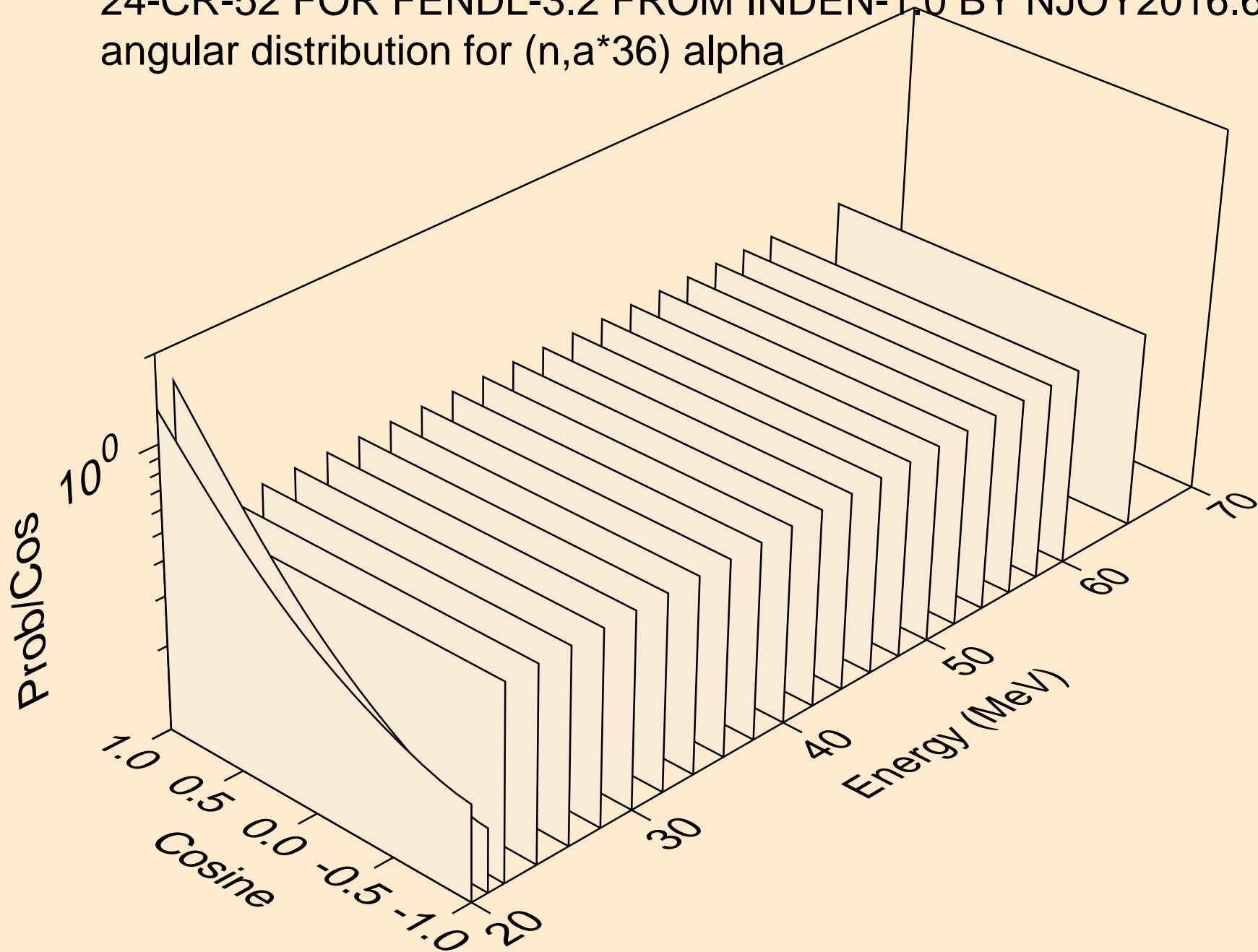
24-CR-52 FOR FENDL-3.2 FROM INDEN-1.0 BY NJOY2016.60+ OI
angular distribution for (n, α *35) alpha



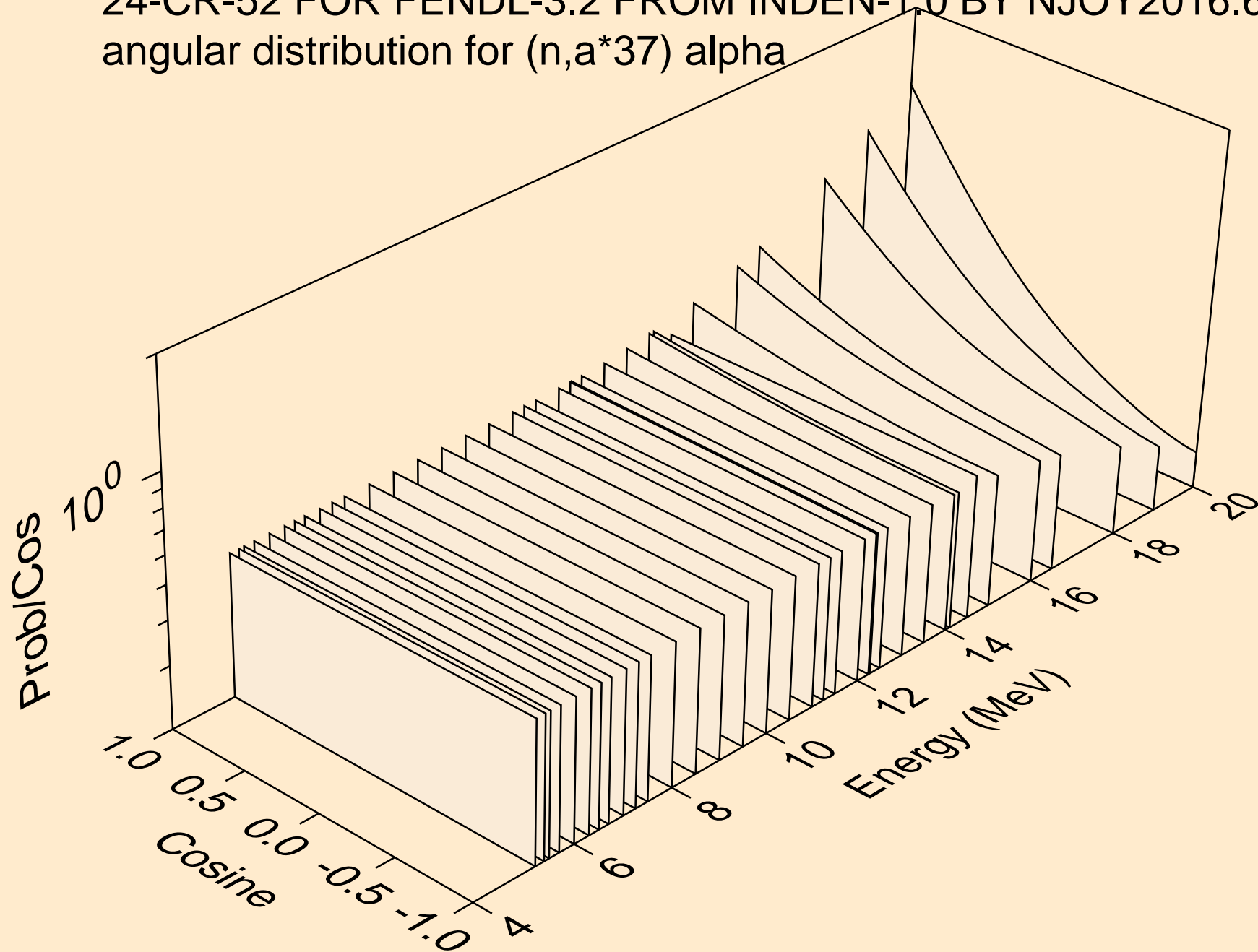
24-CR-52 FOR FENDL-3.2 FROM INDEN-1.0 BY NJOY2016.60+ OI
angular distribution for (n,a*36) alpha



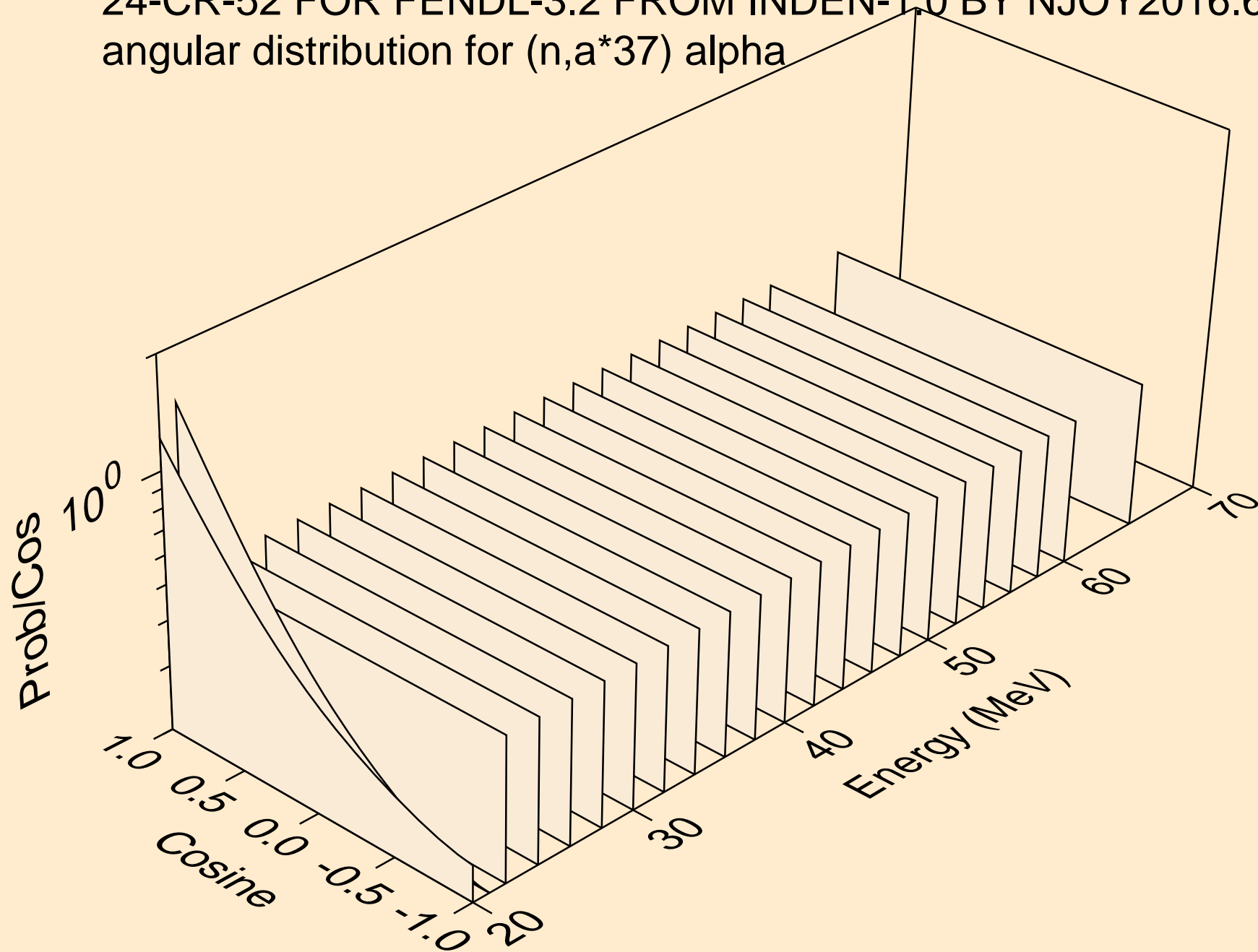
24-CR-52 FOR FENDL-3.2 FROM INDEN-1.0 BY NJOY2016.60+ OI
angular distribution for (n,a*36) alpha



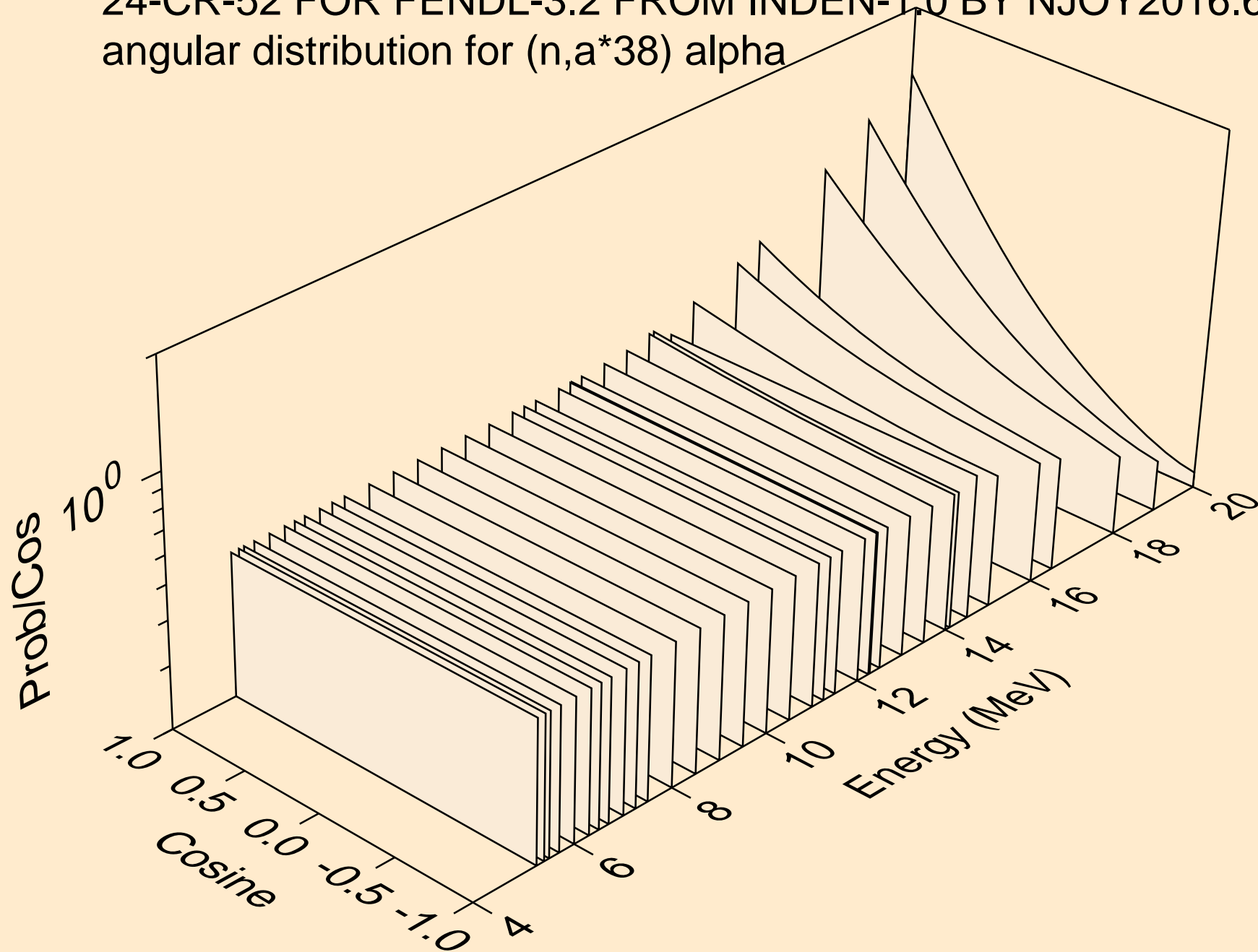
24-CR-52 FOR FENDL-3.2 FROM INDEN-1.0 BY NJOY2016.60+ OI
angular distribution for (n,a*37) alpha



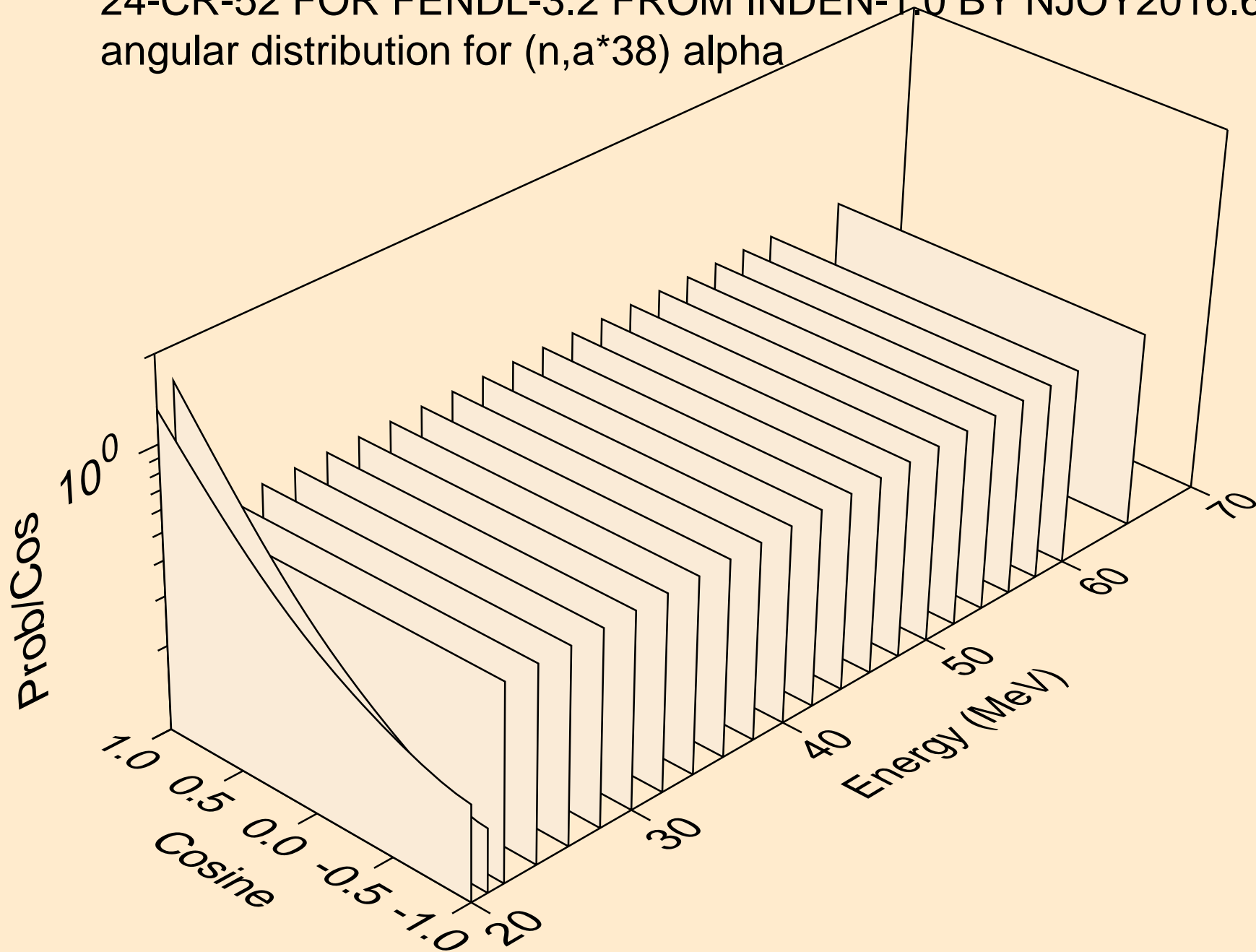
24-CR-52 FOR FENDL-3.2 FROM INDEN-1.0 BY NJOY2016.60+ OI
angular distribution for (n, α *37) alpha



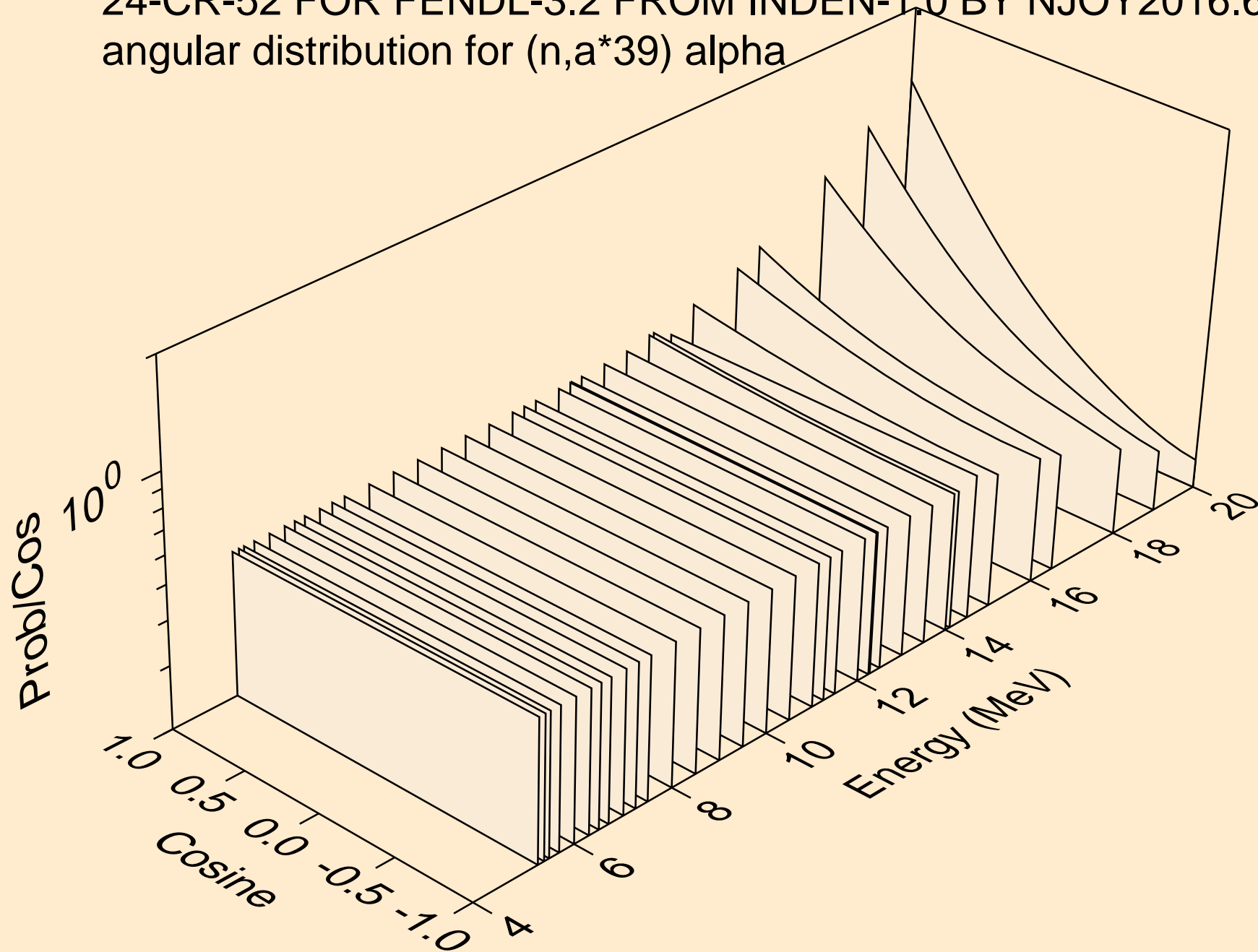
24-CR-52 FOR FENDL-3.2 FROM INDEN-1.0 BY NJOY2016.60+ OI
angular distribution for (n,a*38) alpha



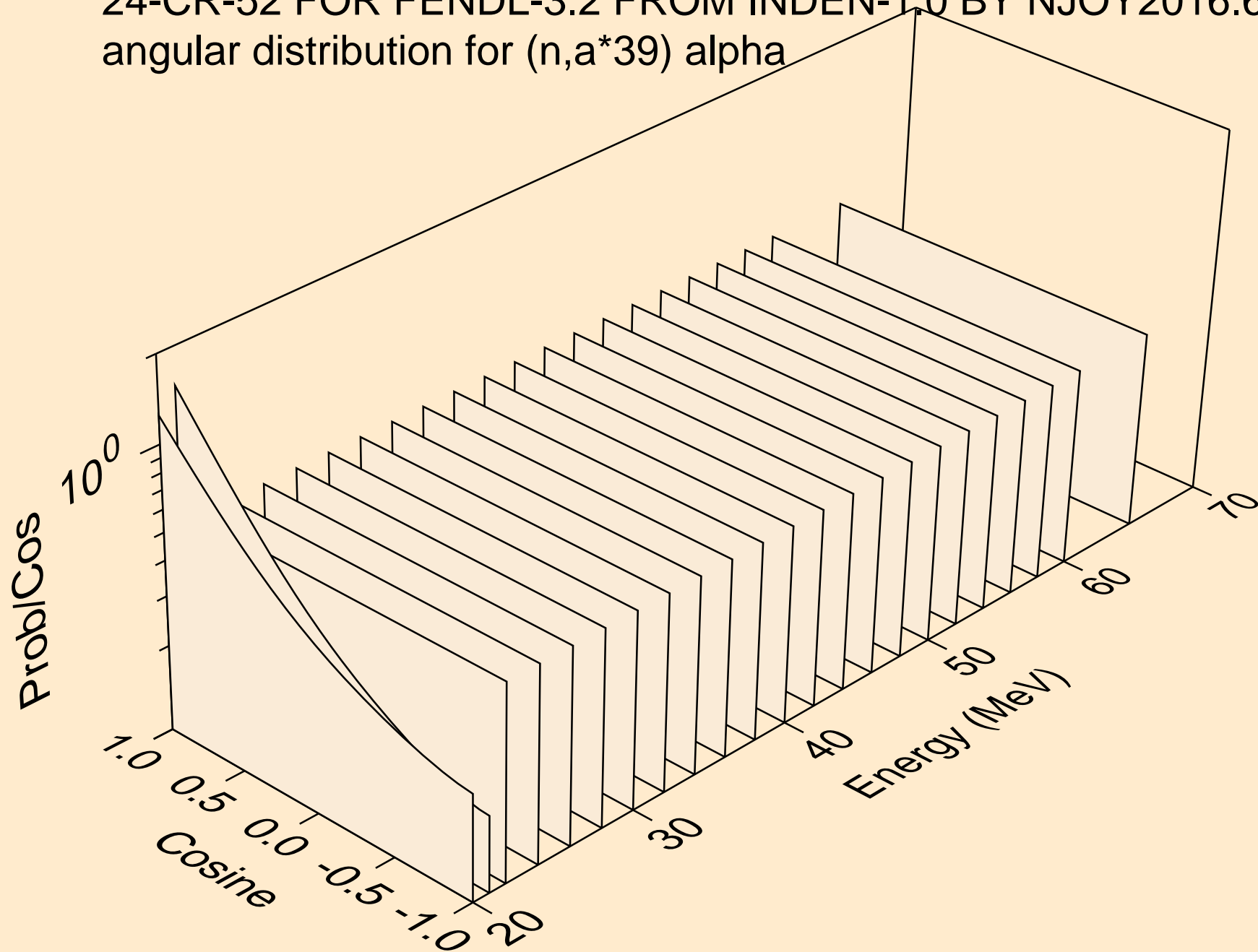
24-CR-52 FOR FENDL-3.2 FROM INDEN-1.0 BY NJOY2016.60+ OI
angular distribution for (n,a*38) alpha



24-CR-52 FOR FENDL-3.2 FROM INDEN-1.0 BY NJOY2016.60+ OI
angular distribution for (n, α *39) alpha



24-CR-52 FOR FENDL-3.2 FROM INDEN-1.0 BY NJOY2016.60+ OI
angular distribution for (n, α *39) alpha



24-CR-52 FOR FENDL-3.2 FROM INDEN-1.0 BY NJOY2016.60+ OI
alphas from (n,a*c)

