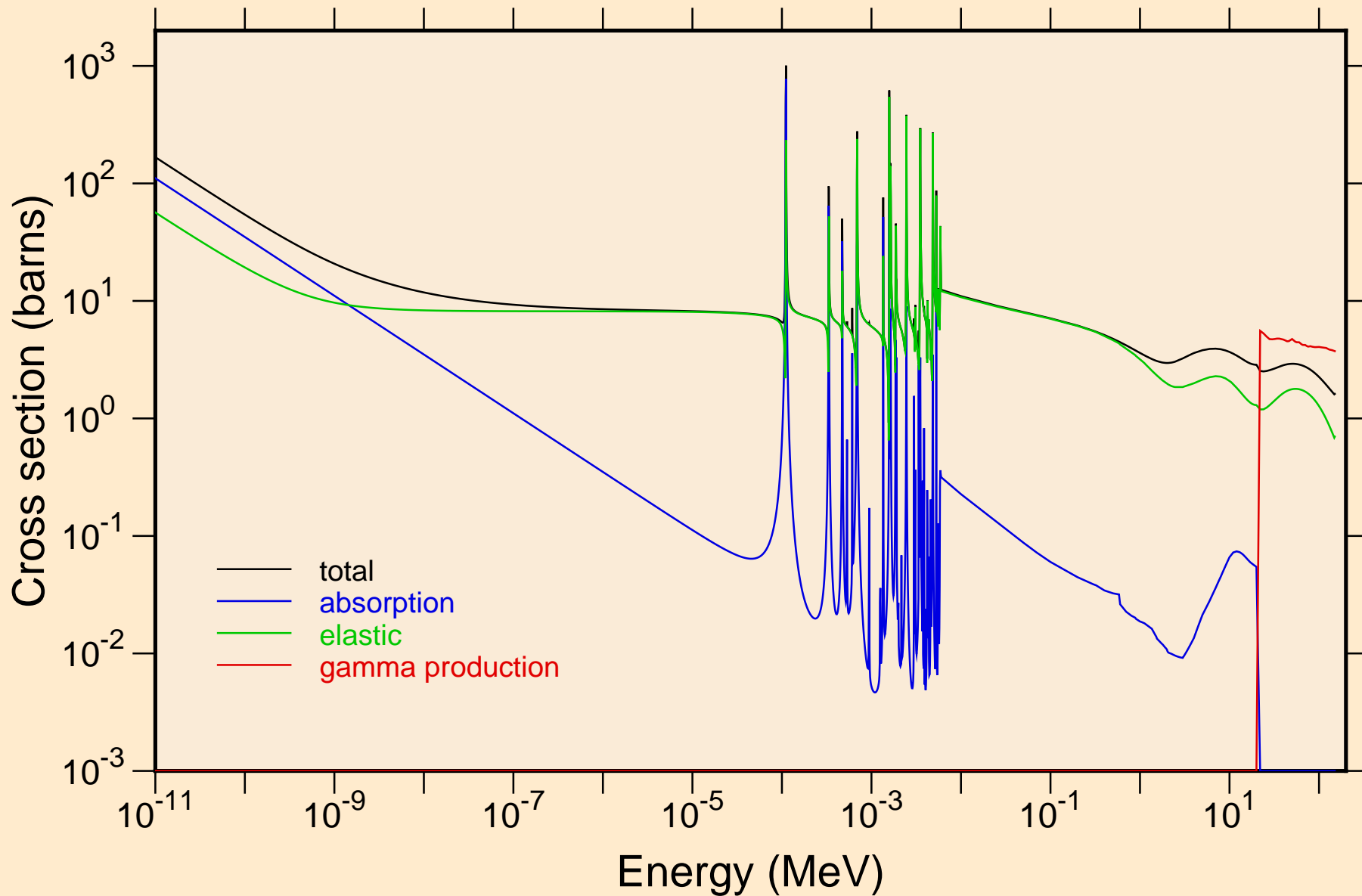
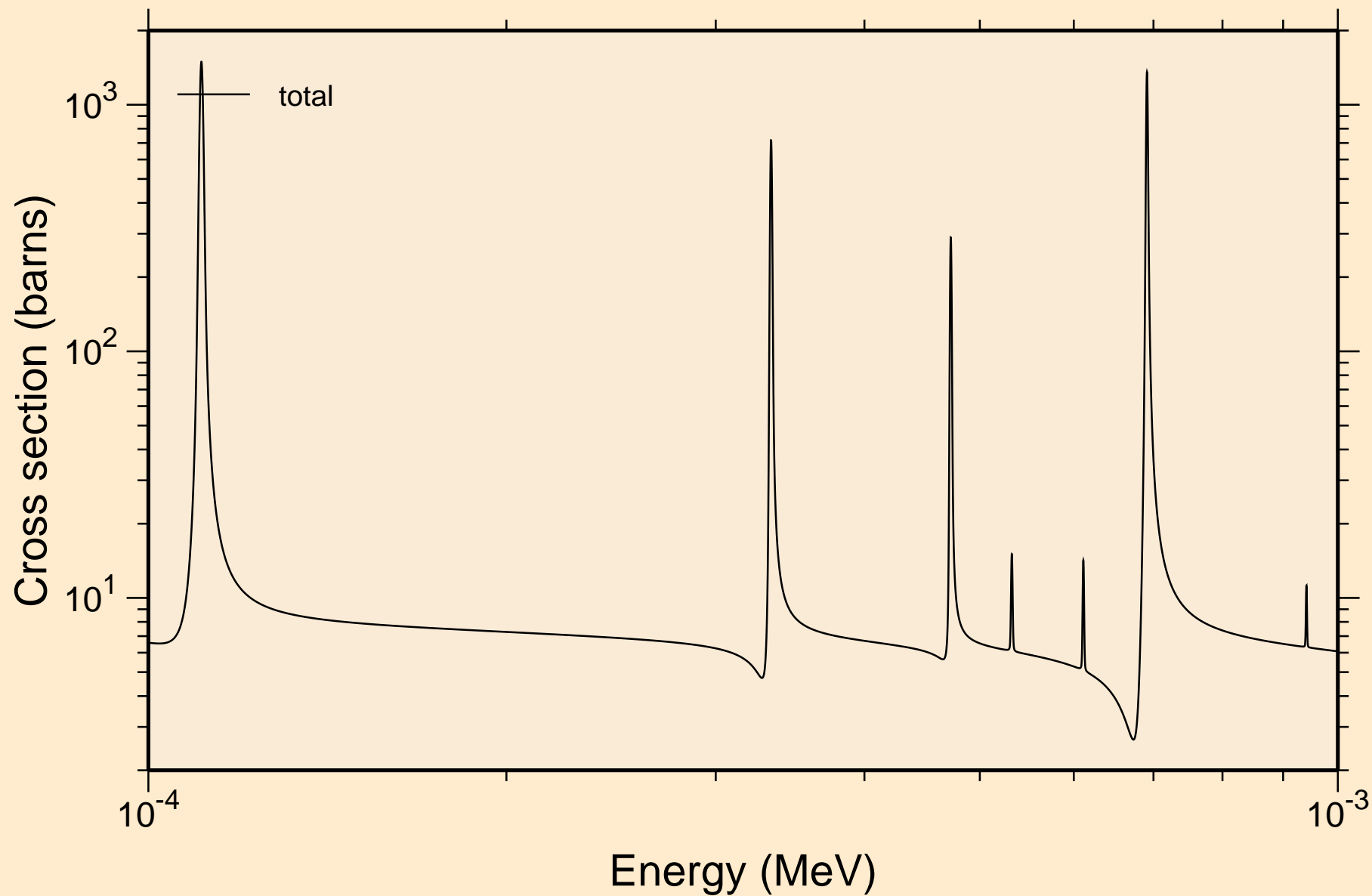


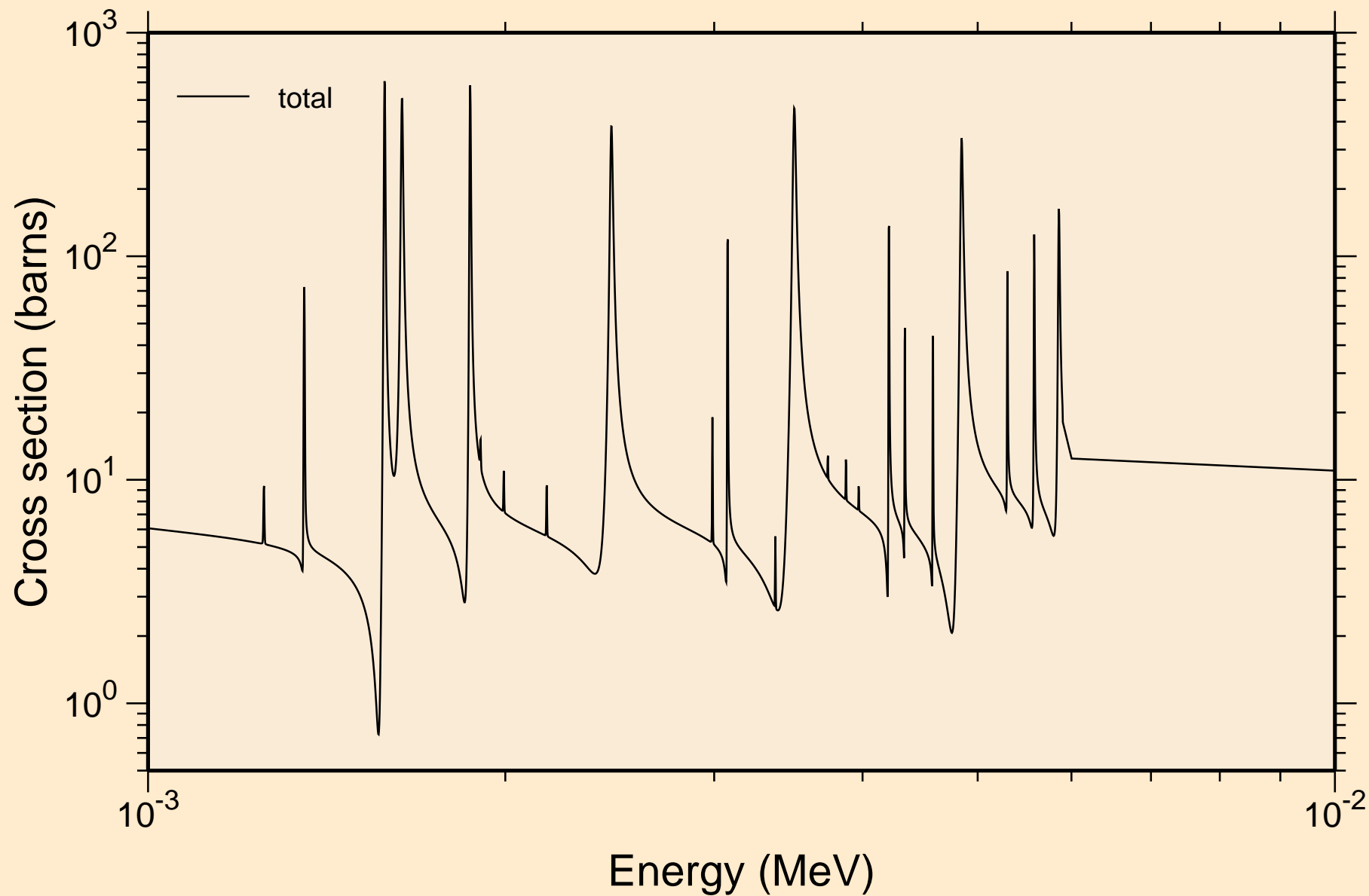
31-GA-69 FOR FENDL-3.2 FROM FENDL-3.2 BY NJOY2016.60+ O  
Principal cross sections



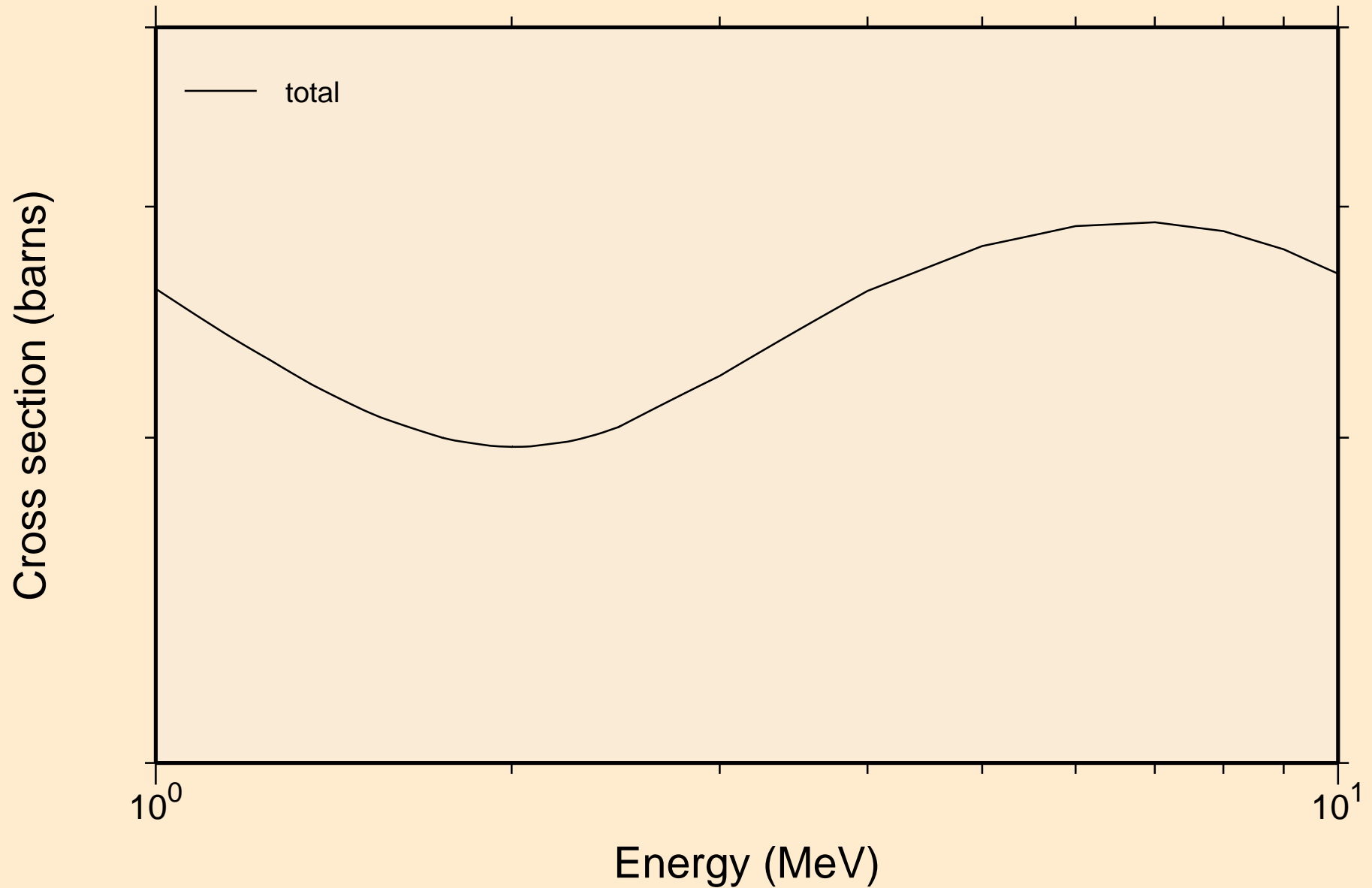
31-GA-69 FOR FENDL-3.2 FROM FENDL-3.2 BY NJOY2016.60+ O  
resonance total cross section



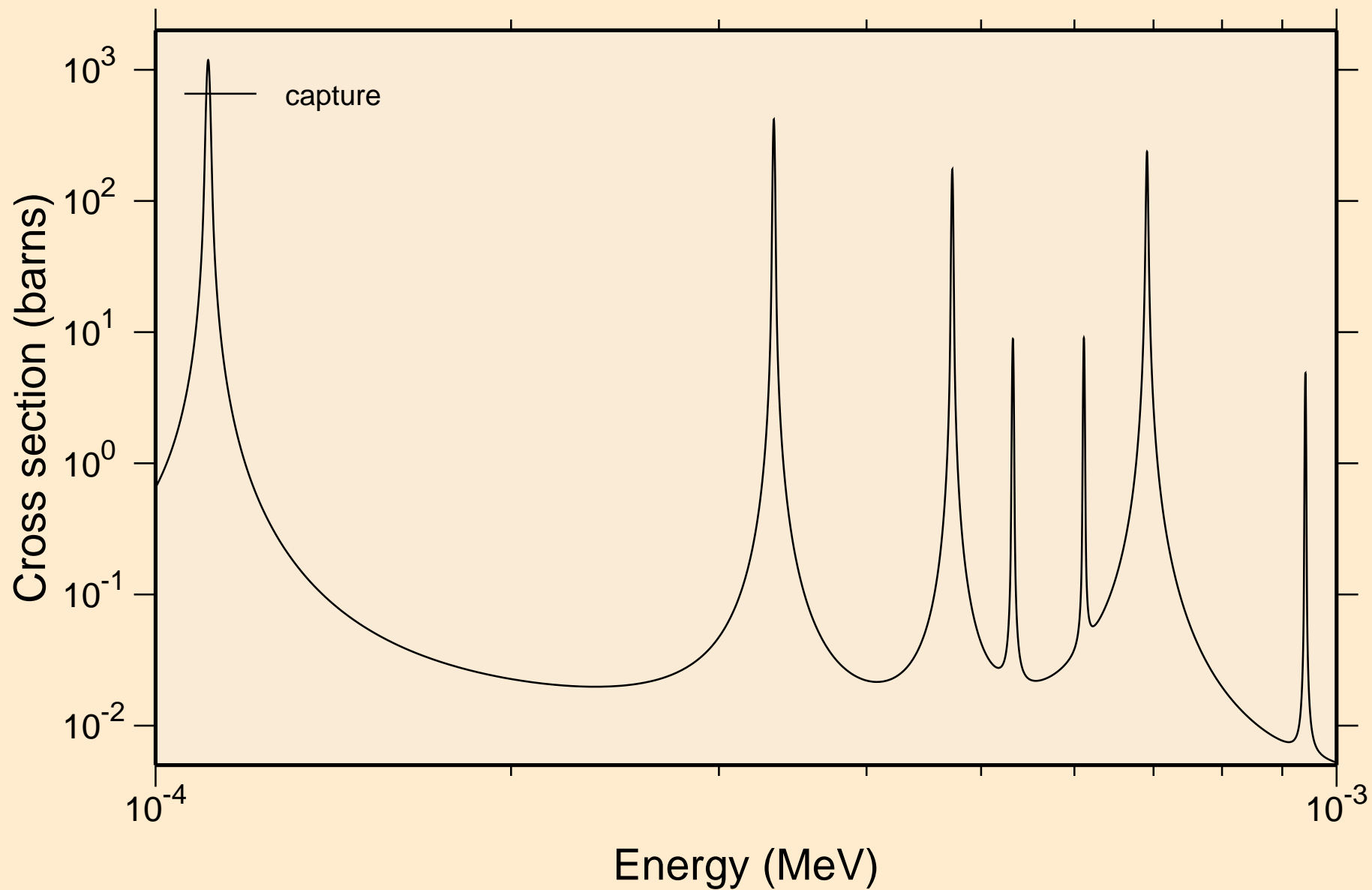
31-GA-69 FOR FENDL-3.2 FROM FENDL-3.2 BY NJOY2016.60+ O  
resonance total cross section



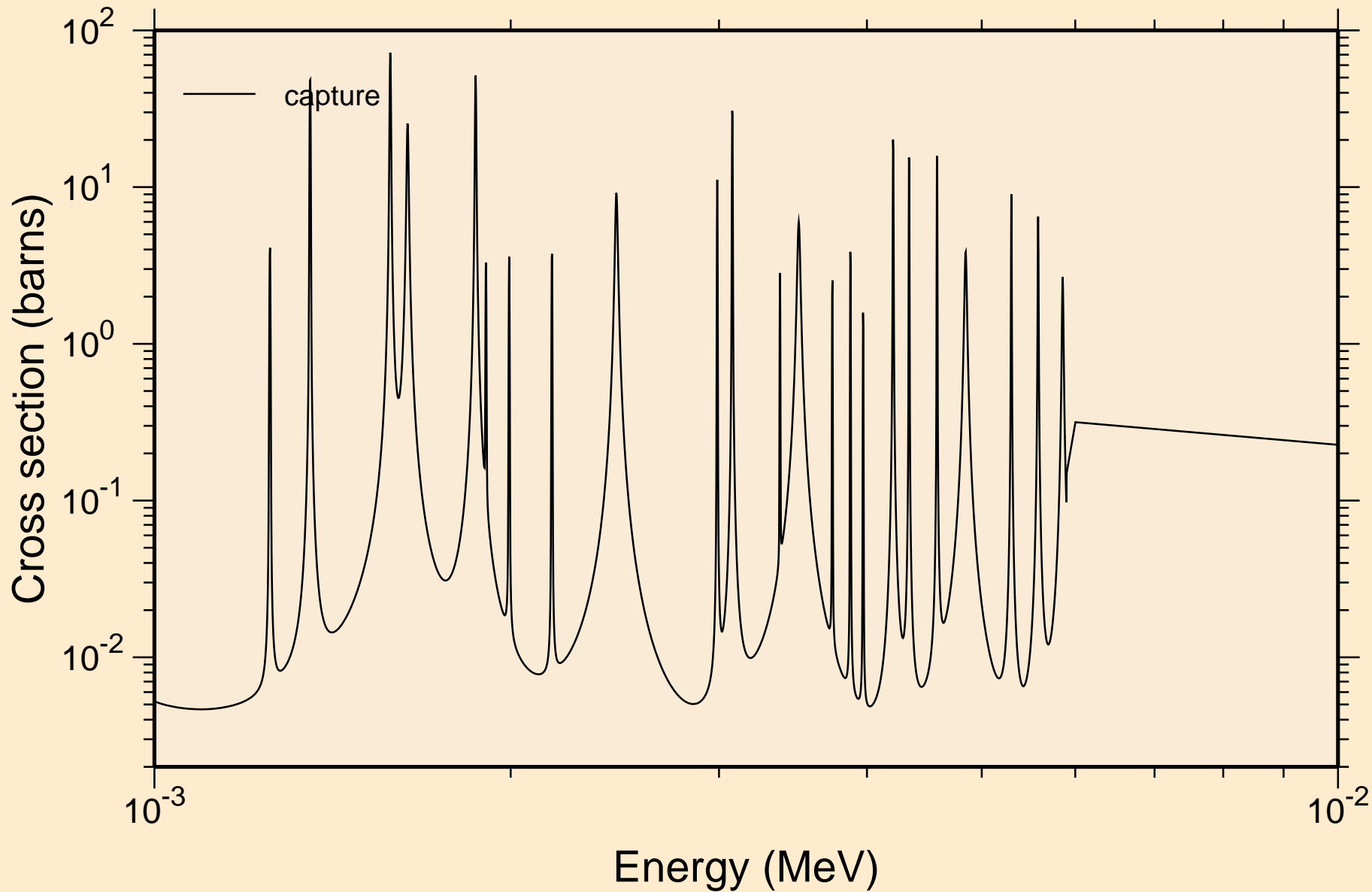
31-GA-69 FOR FENDL-3.2 FROM FENDL-3.2 BY NJOY2016.60+ O  
resonance total cross section



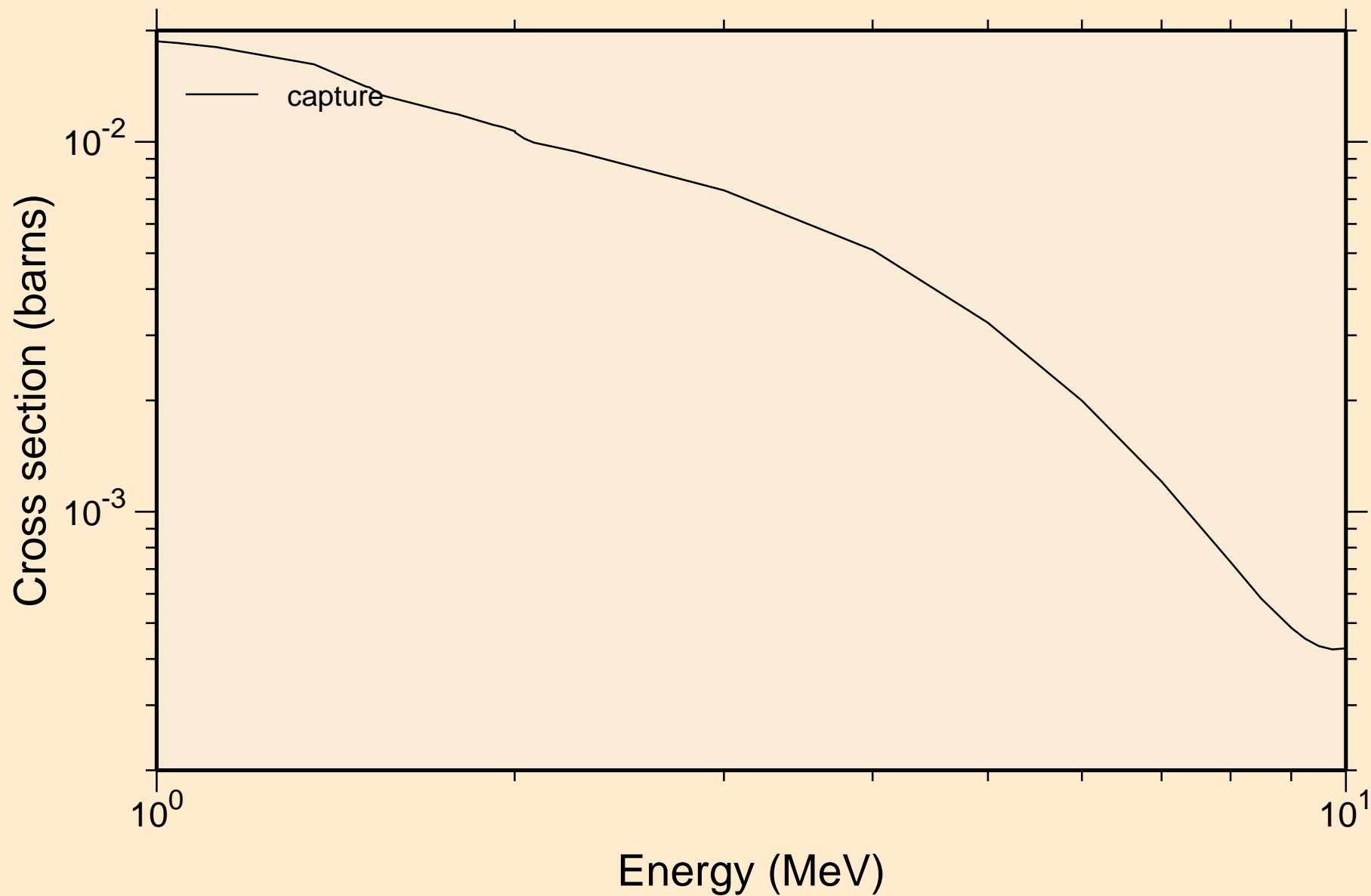
31-GA-69 FOR FENDL-3.2 FROM FENDL-3.2 BY NJOY2016.60+ O  
resonance absorption cross sections



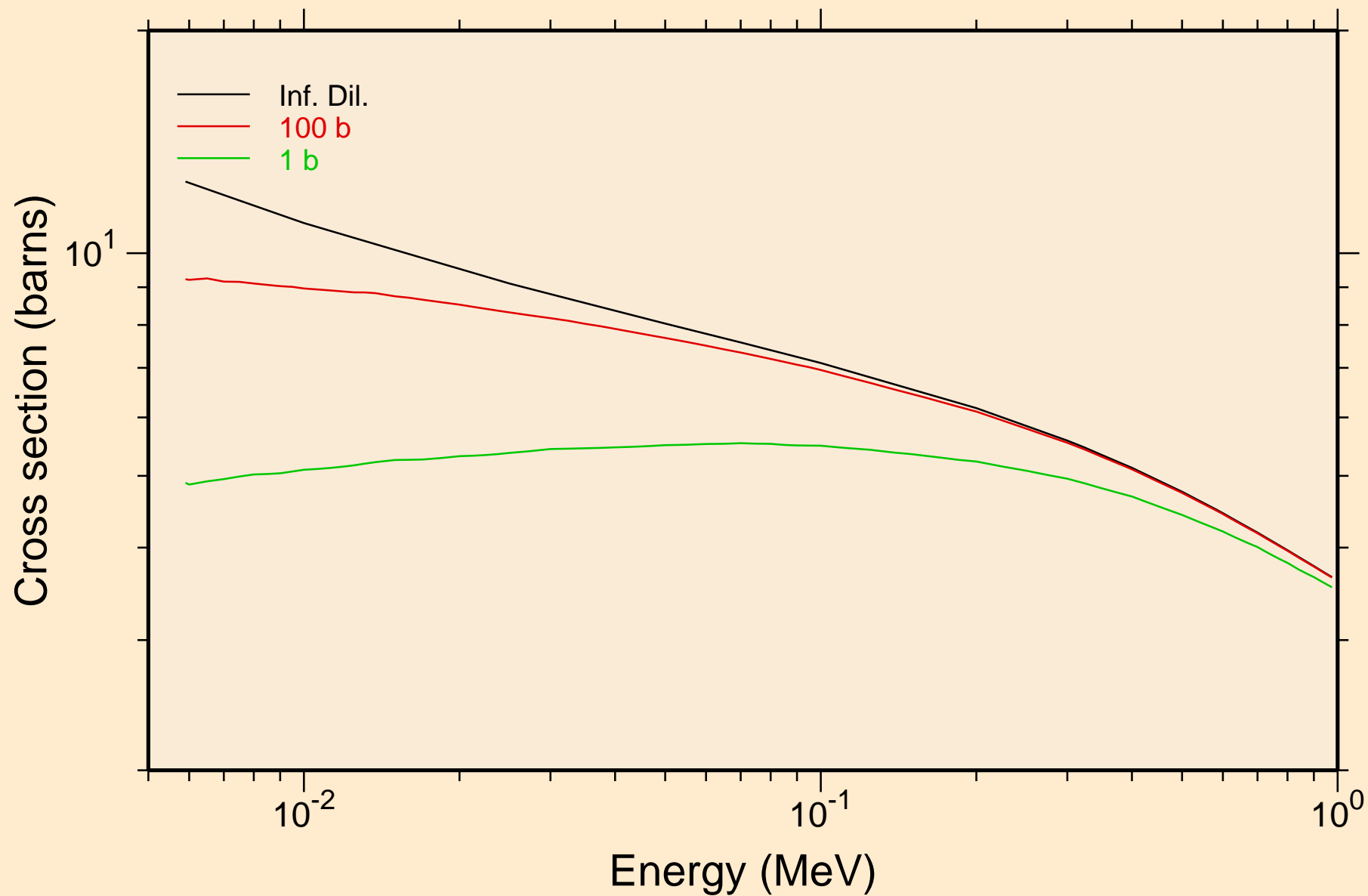
31-GA-69 FOR FENDL-3.2 FROM FENDL-3.2 BY NJOY2016.60+ O  
resonance absorption cross sections



31-GA-69 FOR FENDL-3.2 FROM FENDL-3.2 BY NJOY2016.60+ O  
resonance absorption cross sections

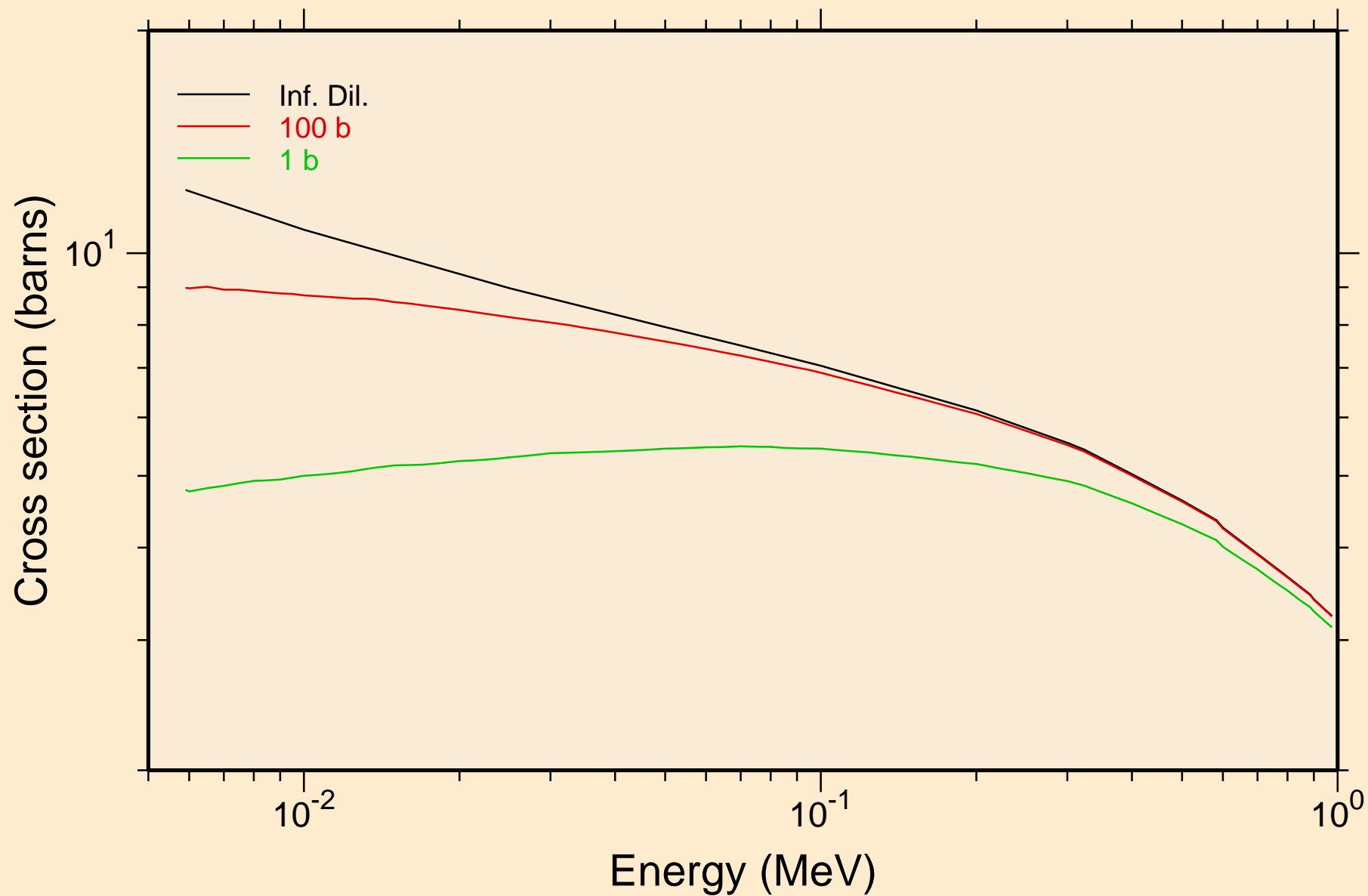


31-GA-69 FOR FENDL-3.2 FROM FENDL-3.2 BY NJOY2016.60+ O  
UR total cross section

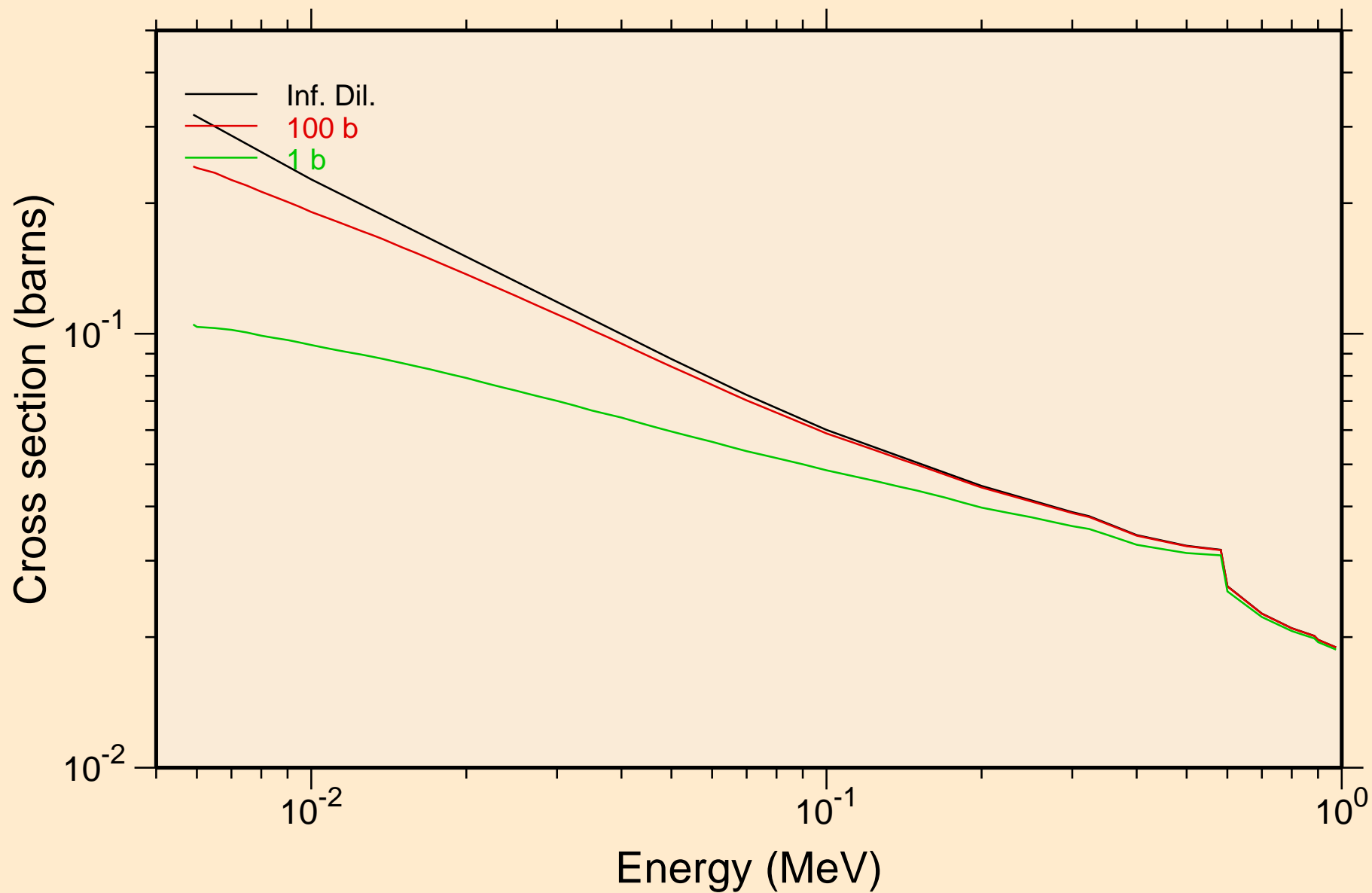




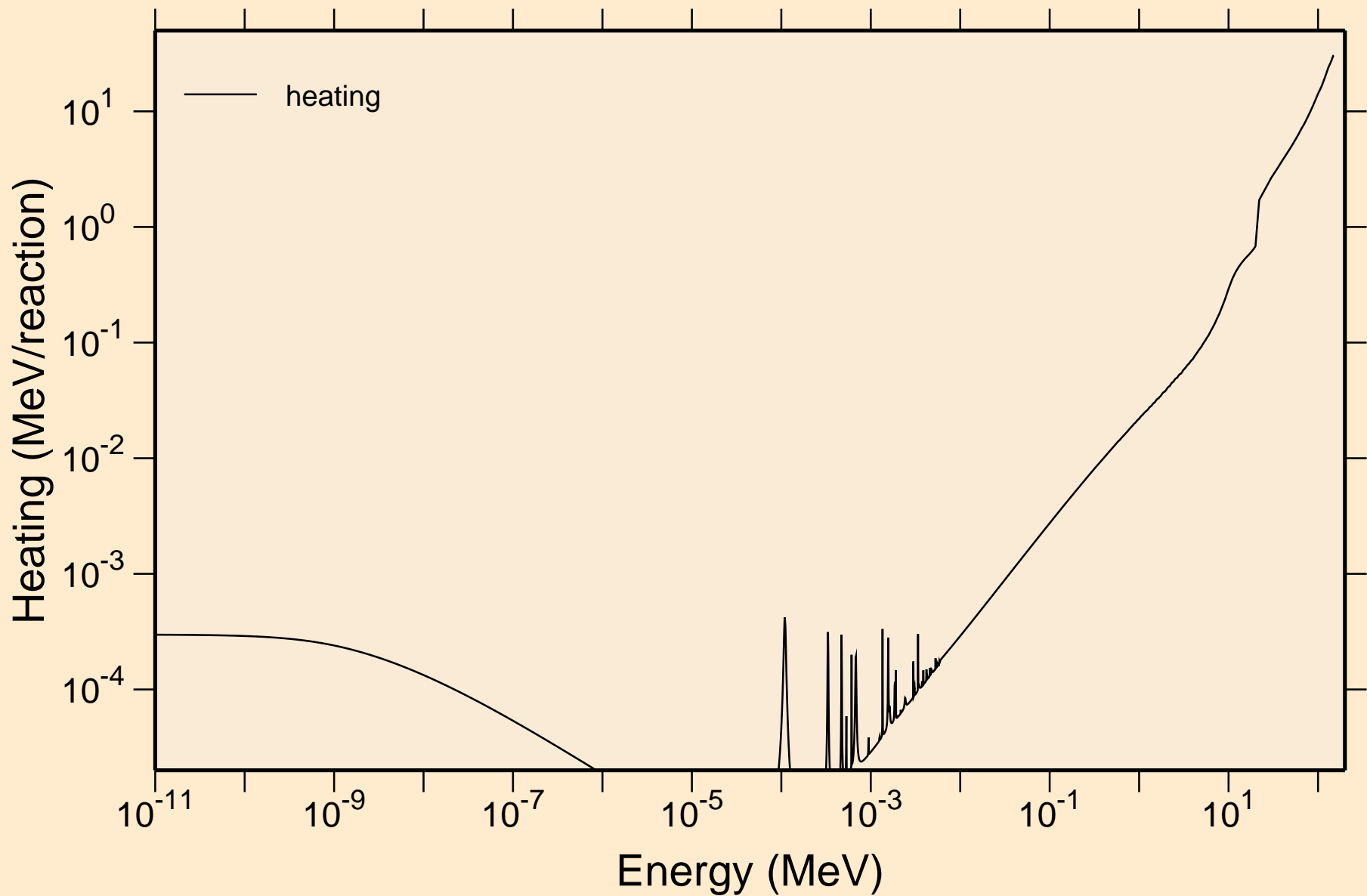
31-GA-69 FOR FENDL-3.2 FROM FENDL-3.2 BY NJOY2016.60+ O  
UR elastic cross section



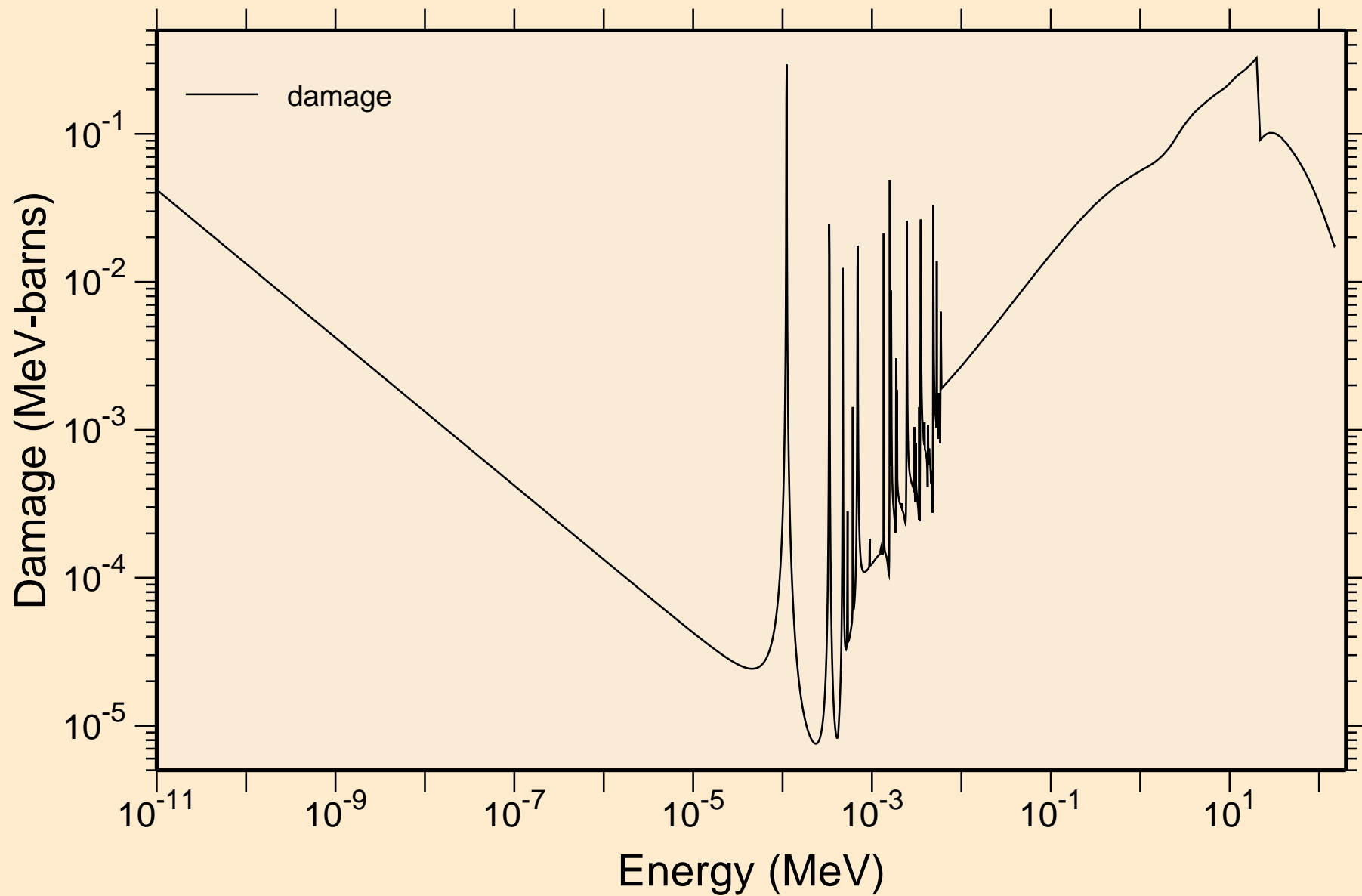
31-GA-69 FOR FENDL-3.2 FROM FENDL-3.2 BY NJOY2016.60+ O  
UR capture cross section



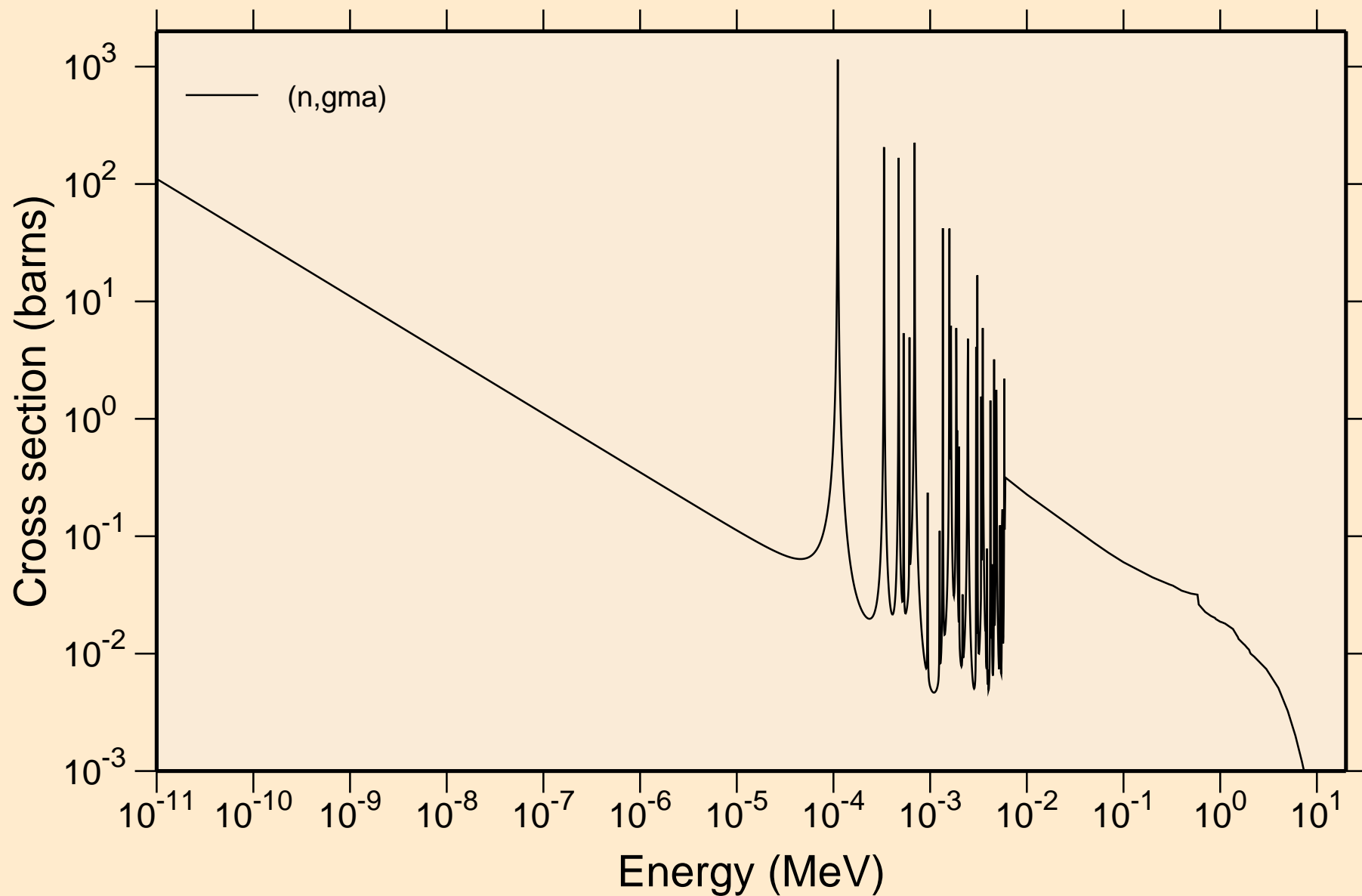
# 31-GA-69 FOR FENDL-3.2 FROM FENDL-3.2 BY NJOY2016.60+ O Heating



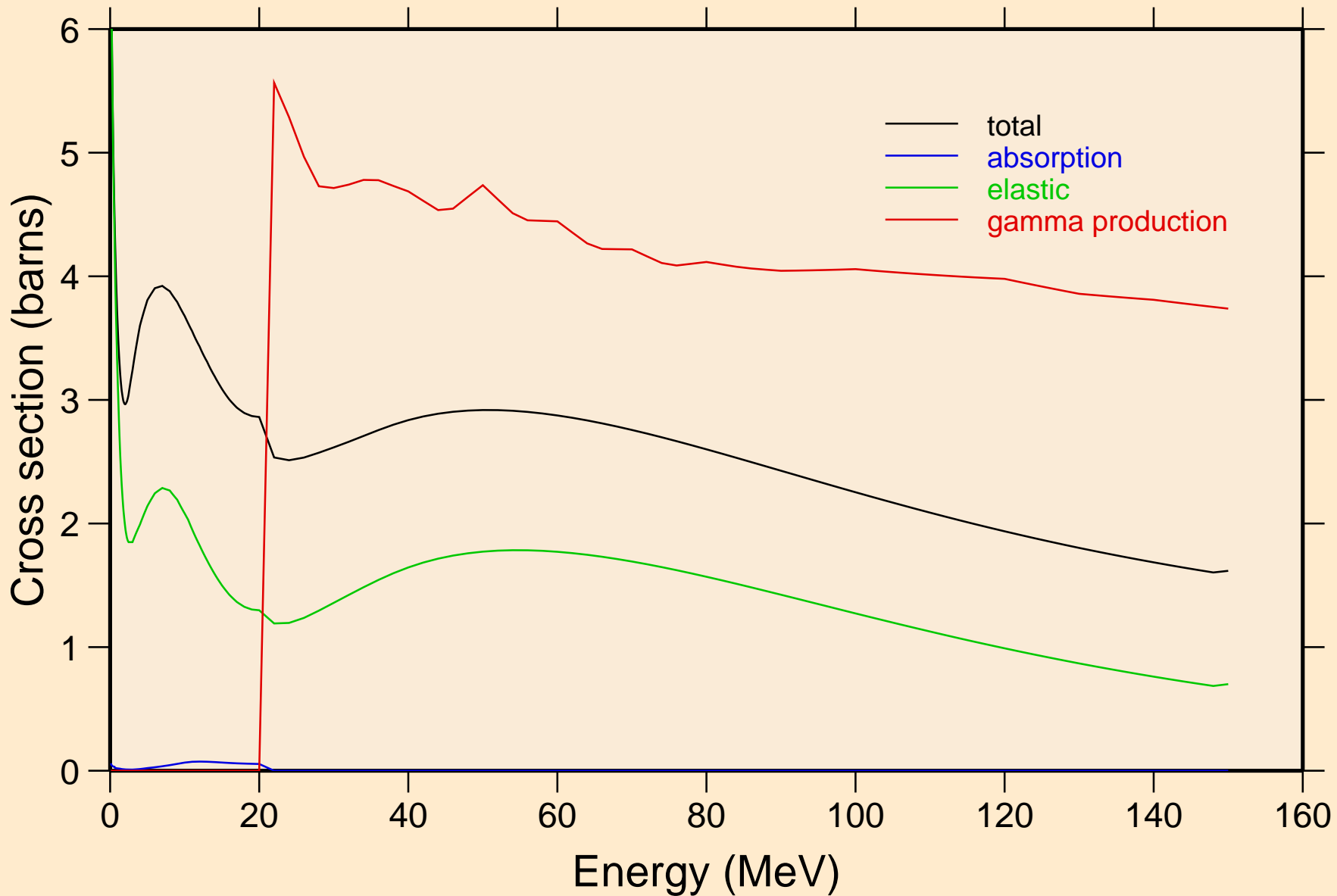
# 31-GA-69 FOR FENDL-3.2 FROM FENDL-3.2 BY NJOY2016.60+ O Damage



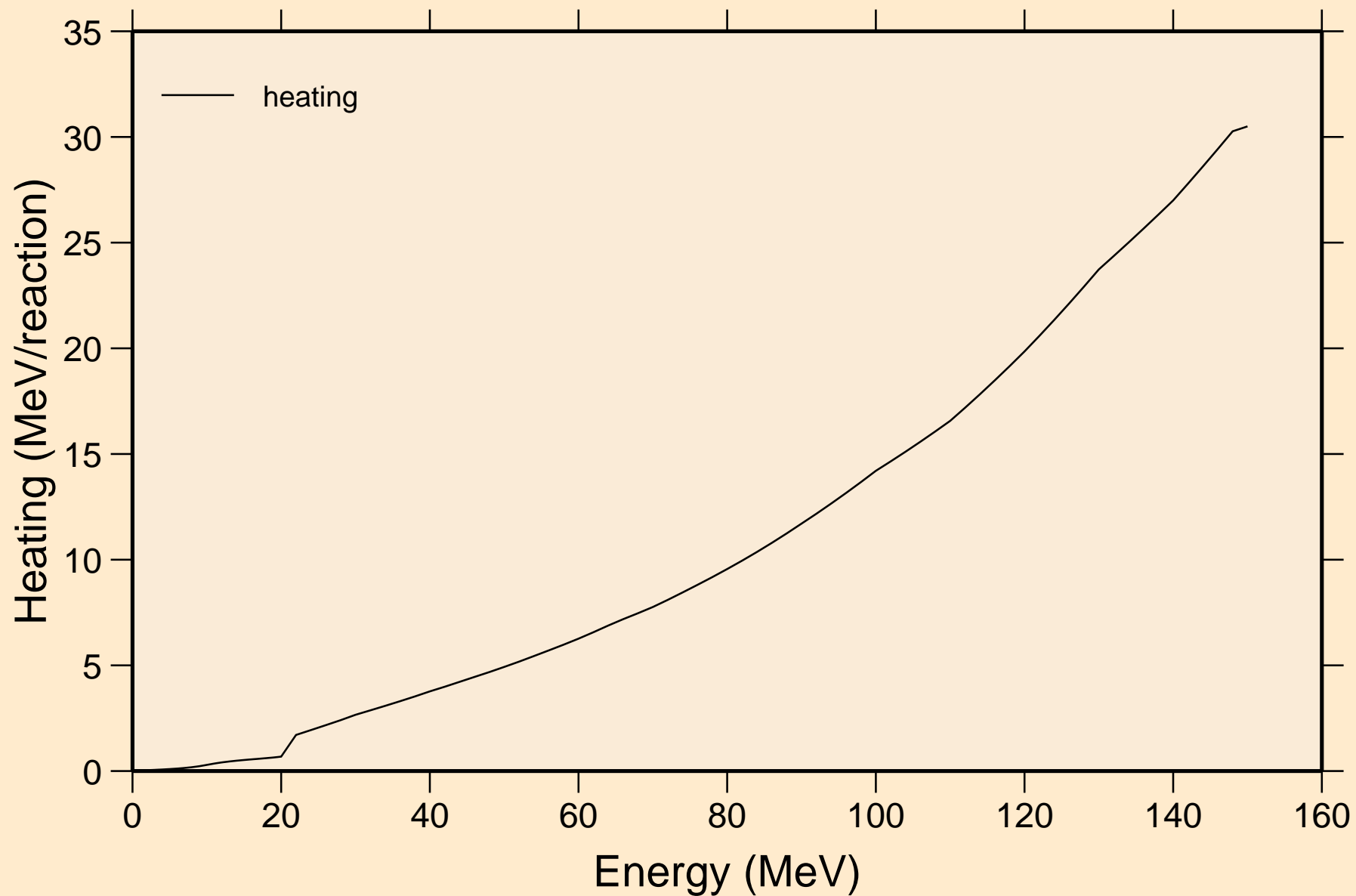
31-GA-69 FOR FENDL-3.2 FROM FENDL-3.2 BY NJOY2016.60+ O  
Non-threshold reactions



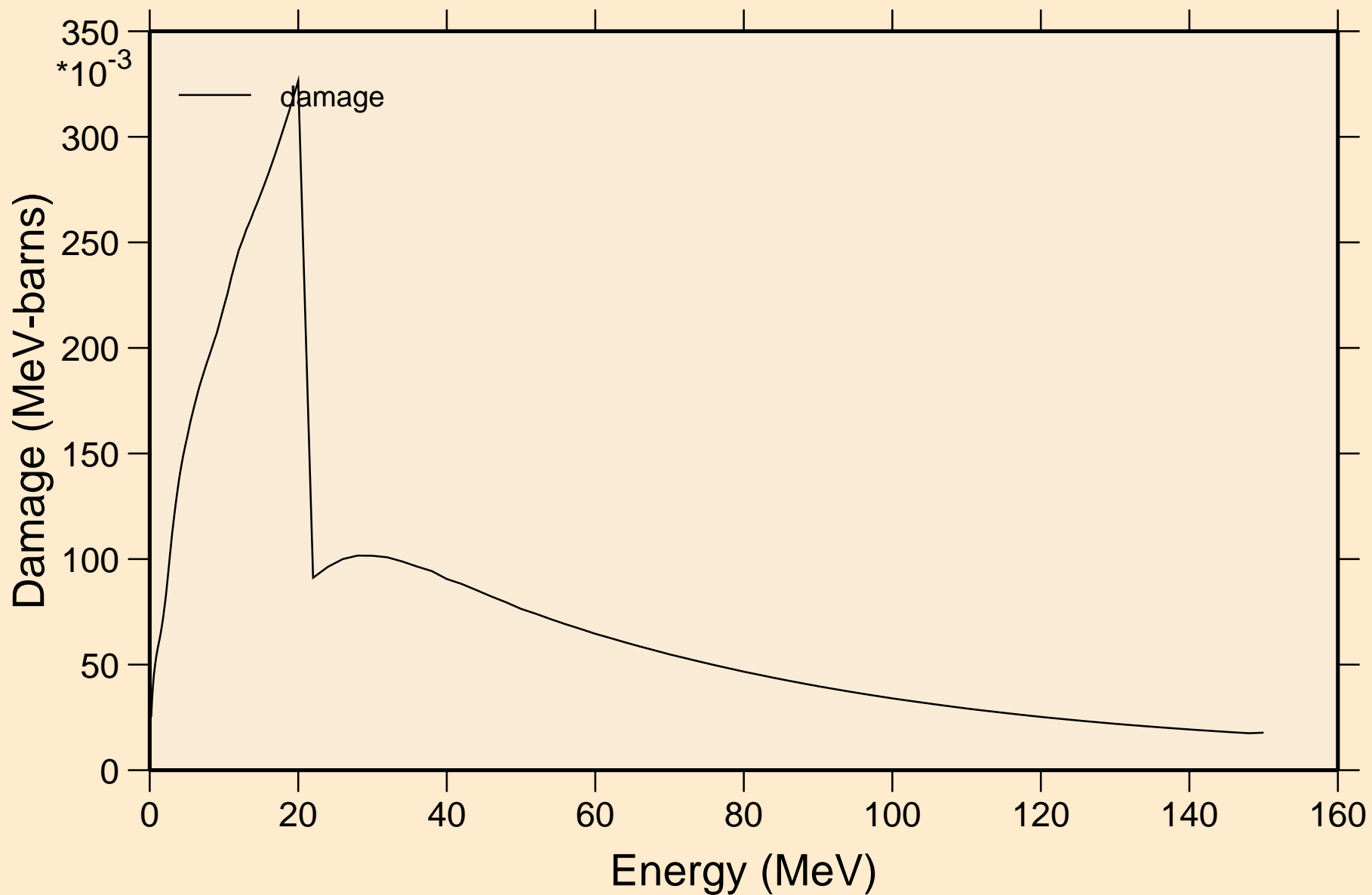
31-GA-69 FOR FENDL-3.2 FROM FENDL-3.2 BY NJOY2016.60+ O  
Principal cross sections



# 31-GA-69 FOR FENDL-3.2 FROM FENDL-3.2 BY NJOY2016.60+ O Heating

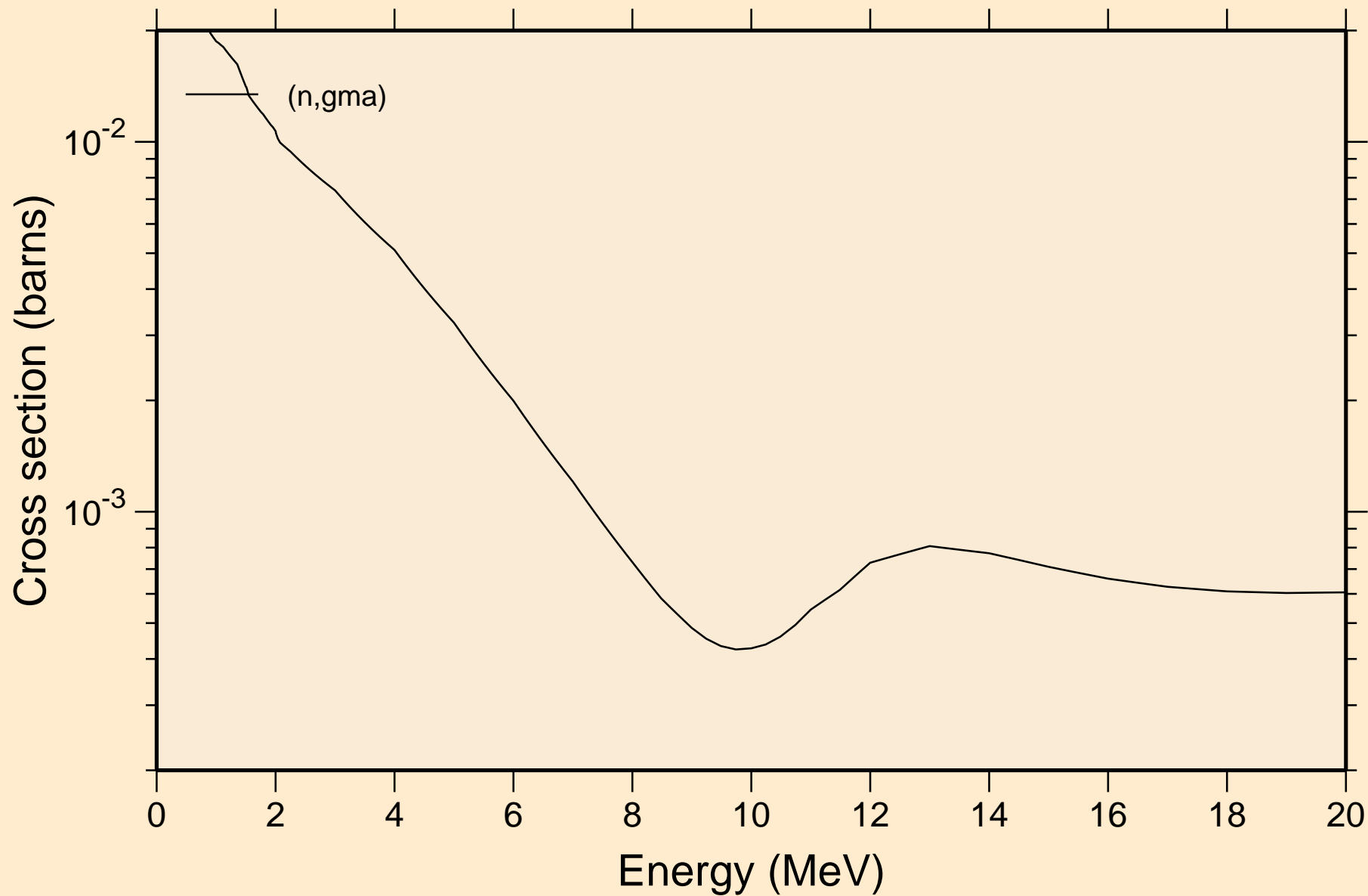


# 31-GA-69 FOR FENDL-3.2 FROM FENDL-3.2 BY NJOY2016.60+ O Damage

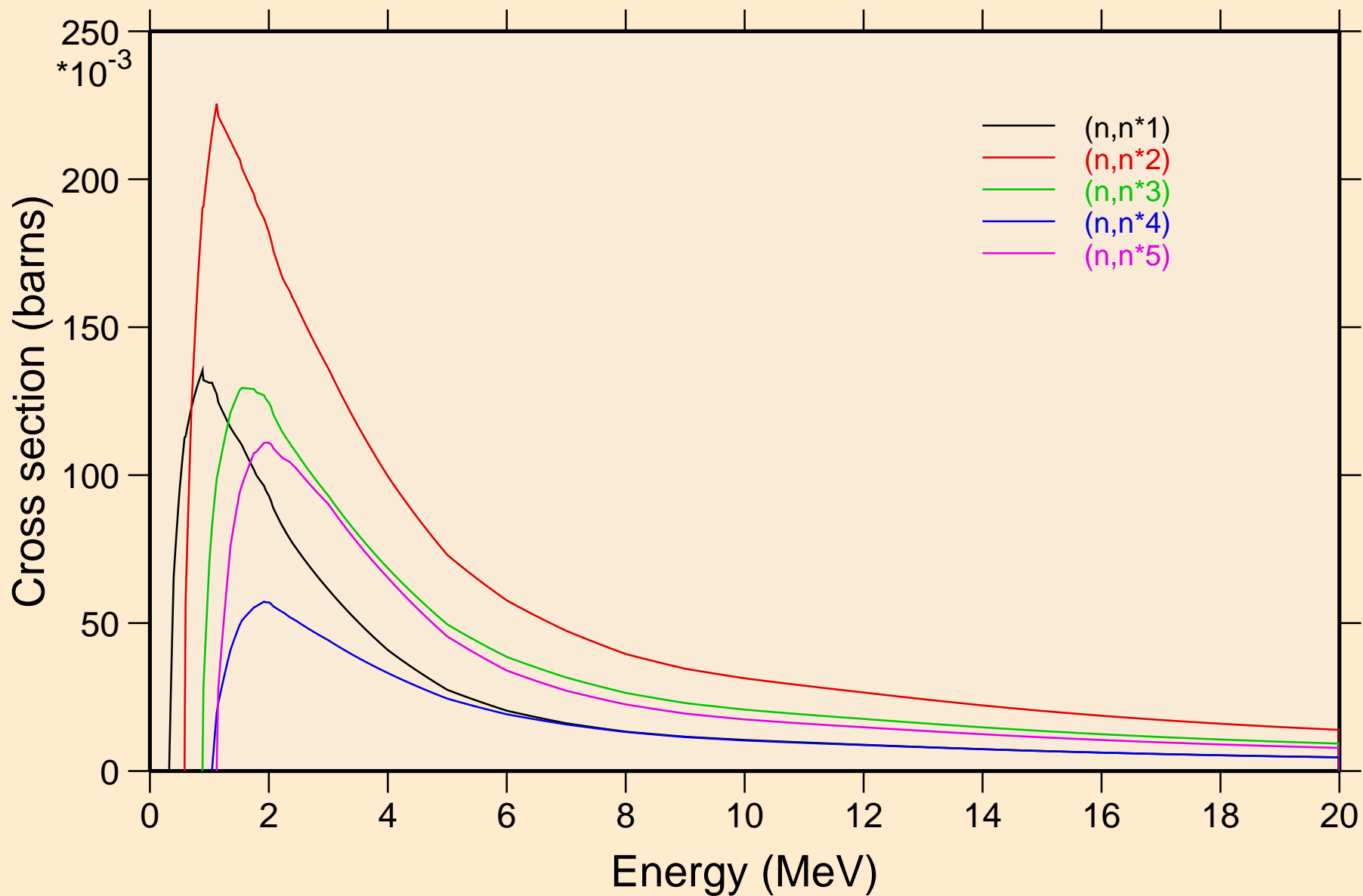




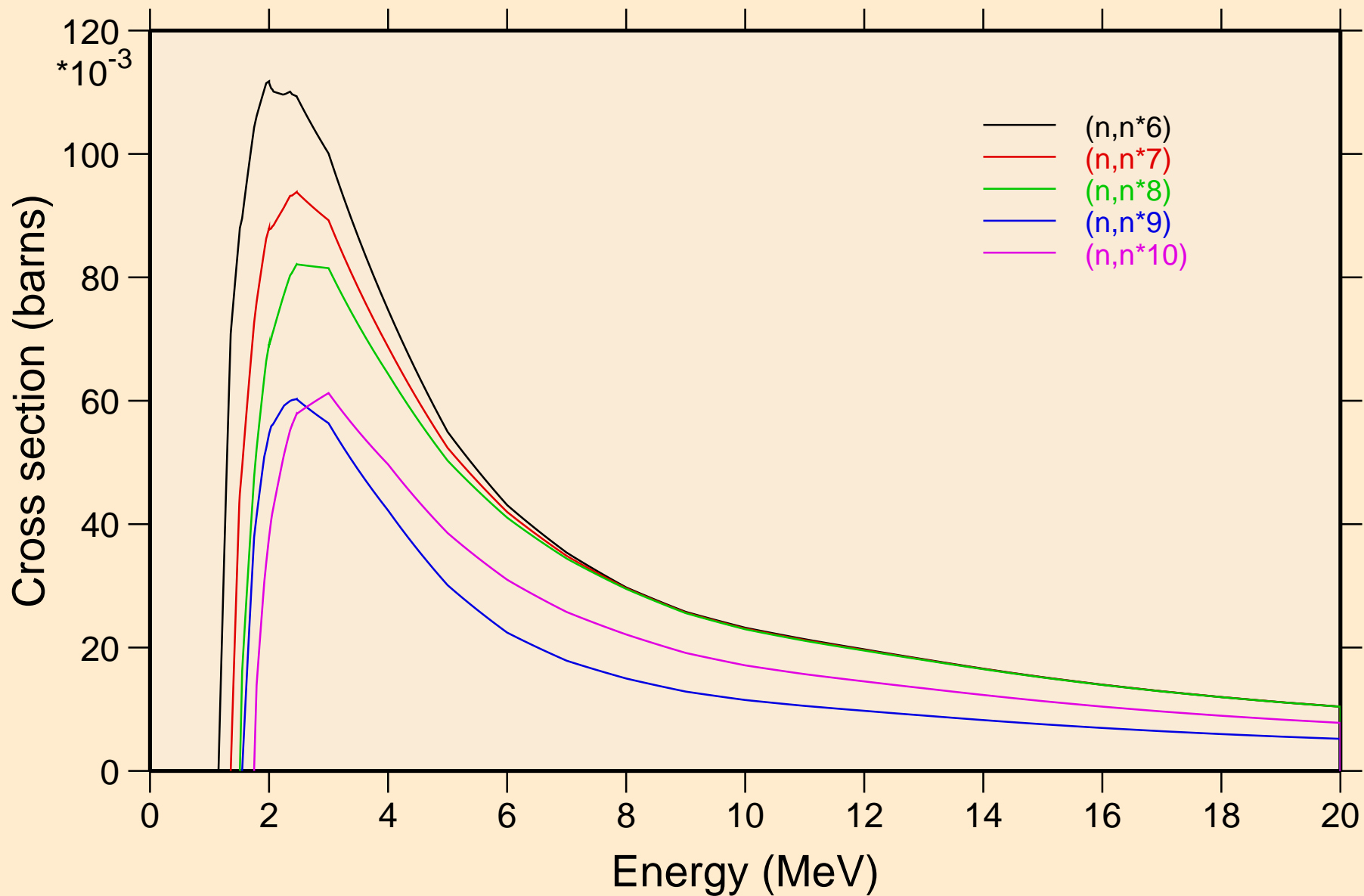
31-GA-69 FOR FENDL-3.2 FROM FENDL-3.2 BY NJOY2016.60+ O  
Non-threshold reactions



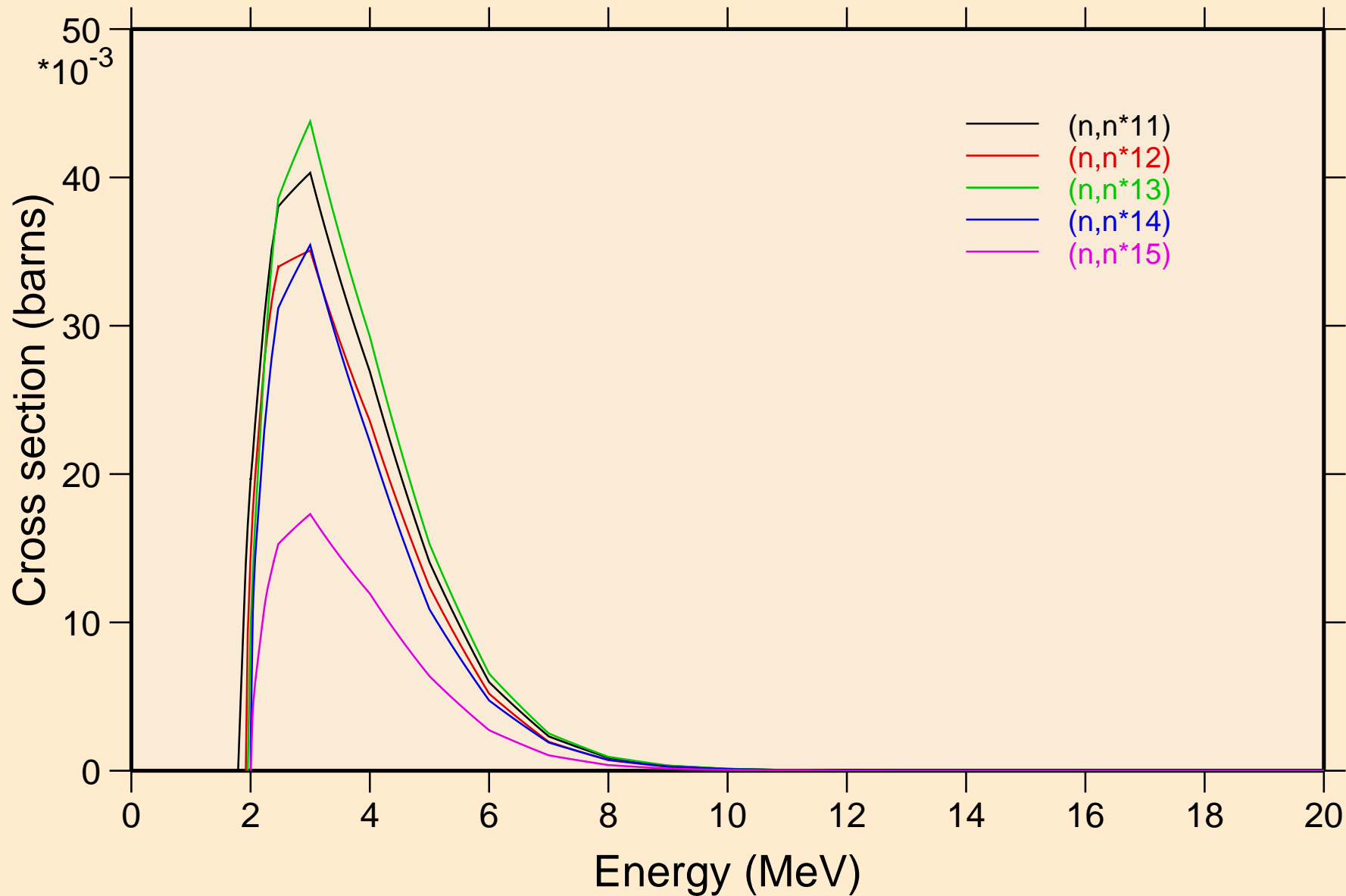
# 31-GA-69 FOR FENDL-3.2 FROM FENDL-3.2 BY NJOY2016.60+ O Inelastic levels



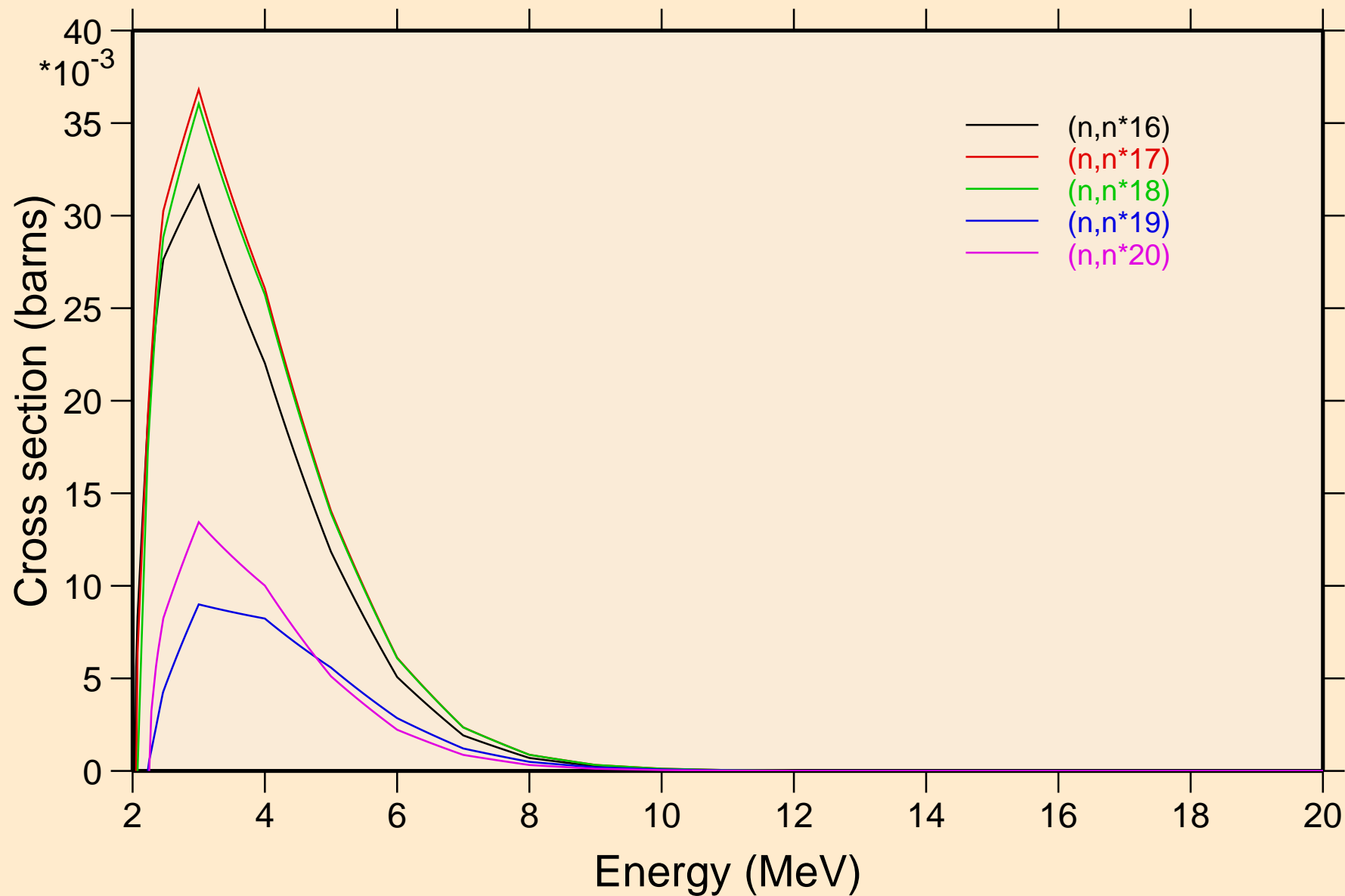
# 31-GA-69 FOR FENDL-3.2 FROM FENDL-3.2 BY NJOY2016.60+ O Inelastic levels



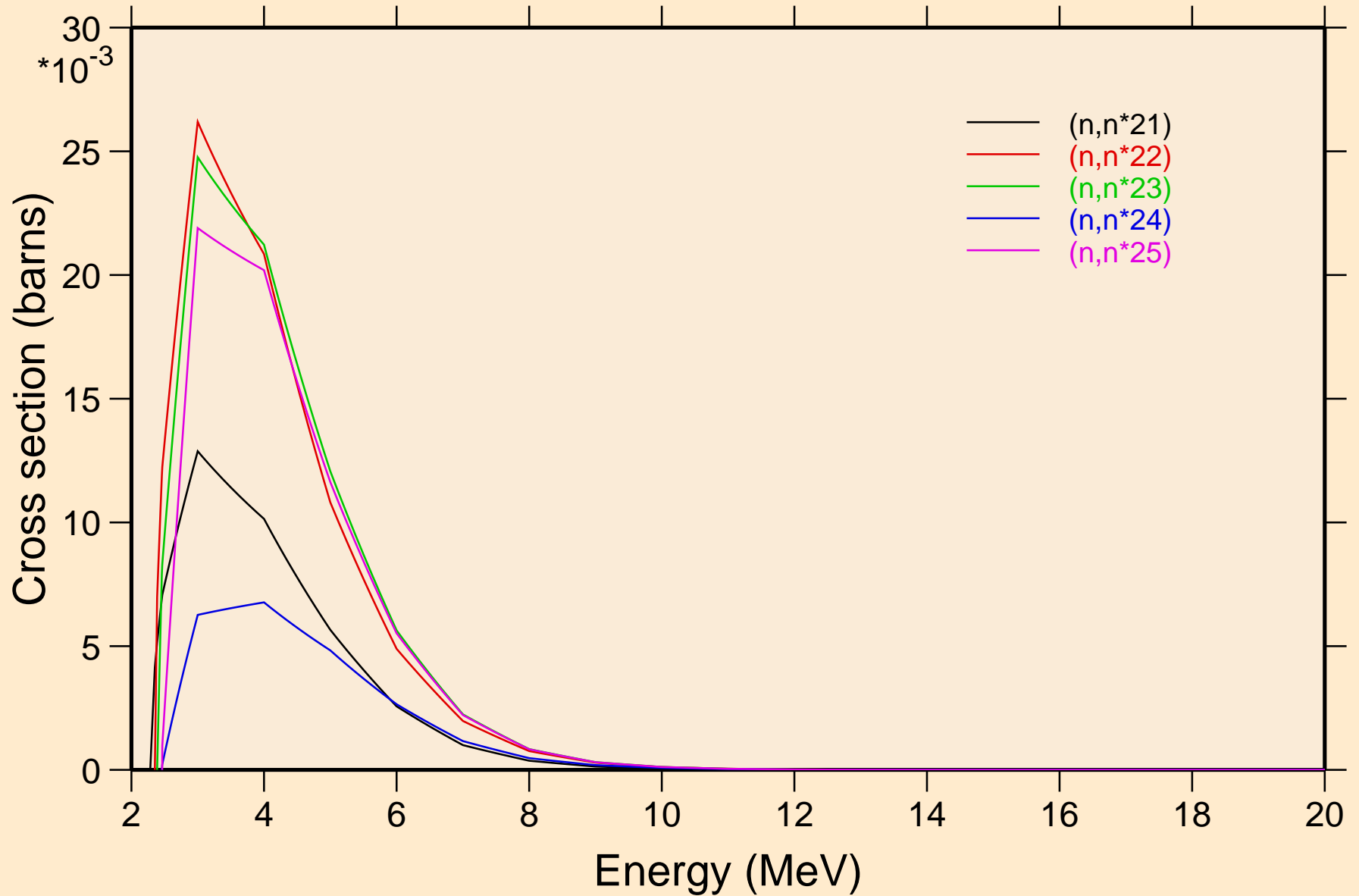
31-GA-69 FOR FENDL-3.2 FROM FENDL-3.2 BY NJOY2016.60+ O  
Inelastic levels



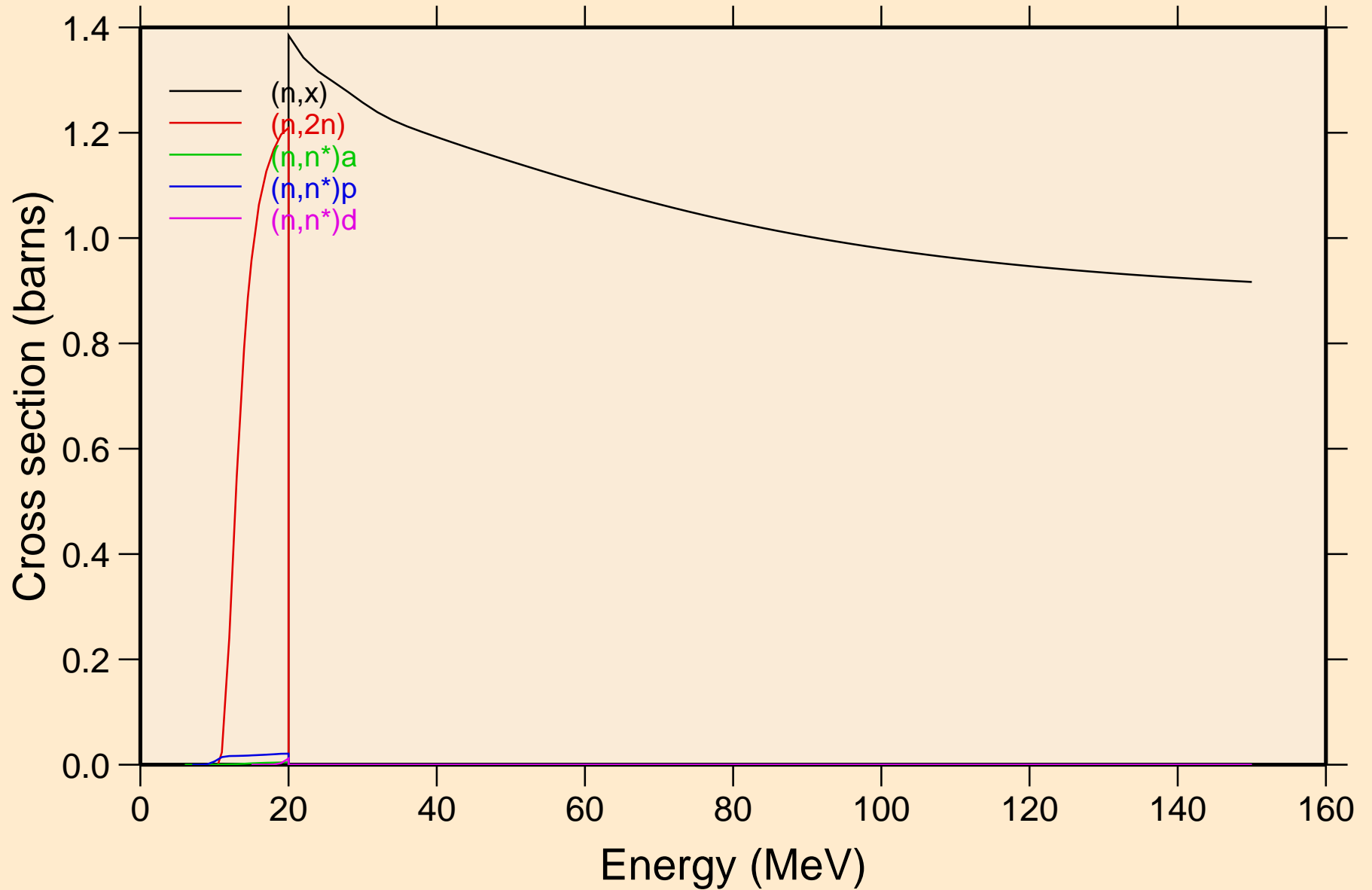
# 31-GA-69 FOR FENDL-3.2 FROM FENDL-3.2 BY NJOY2016.60+ O Inelastic levels



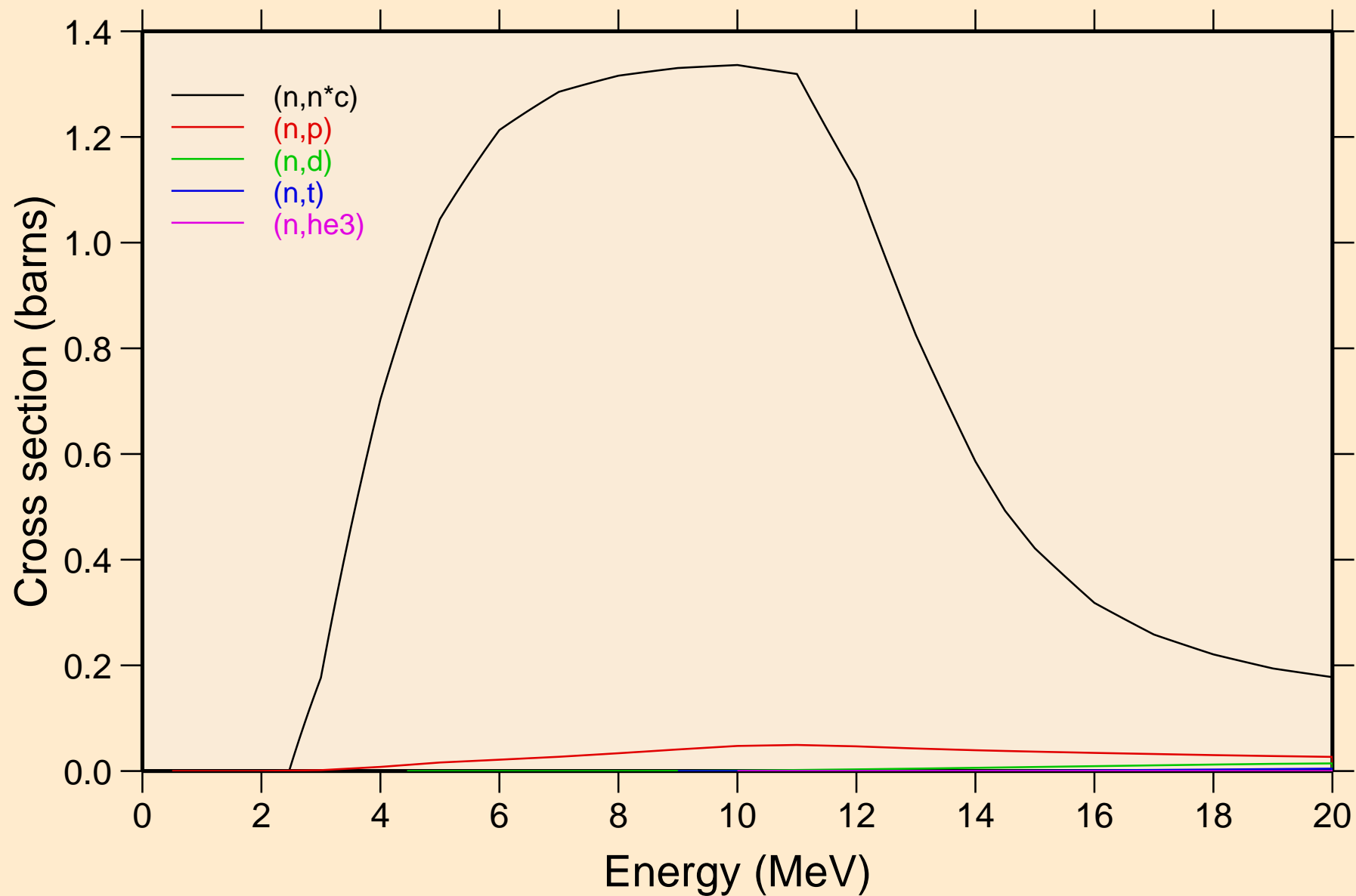
31-GA-69 FOR FENDL-3.2 FROM FENDL-3.2 BY NJOY2016.60+ O  
Inelastic levels



31-GA-69 FOR FENDL-3.2 FROM FENDL-3.2 BY NJOY2016.60+ O  
Threshold reactions

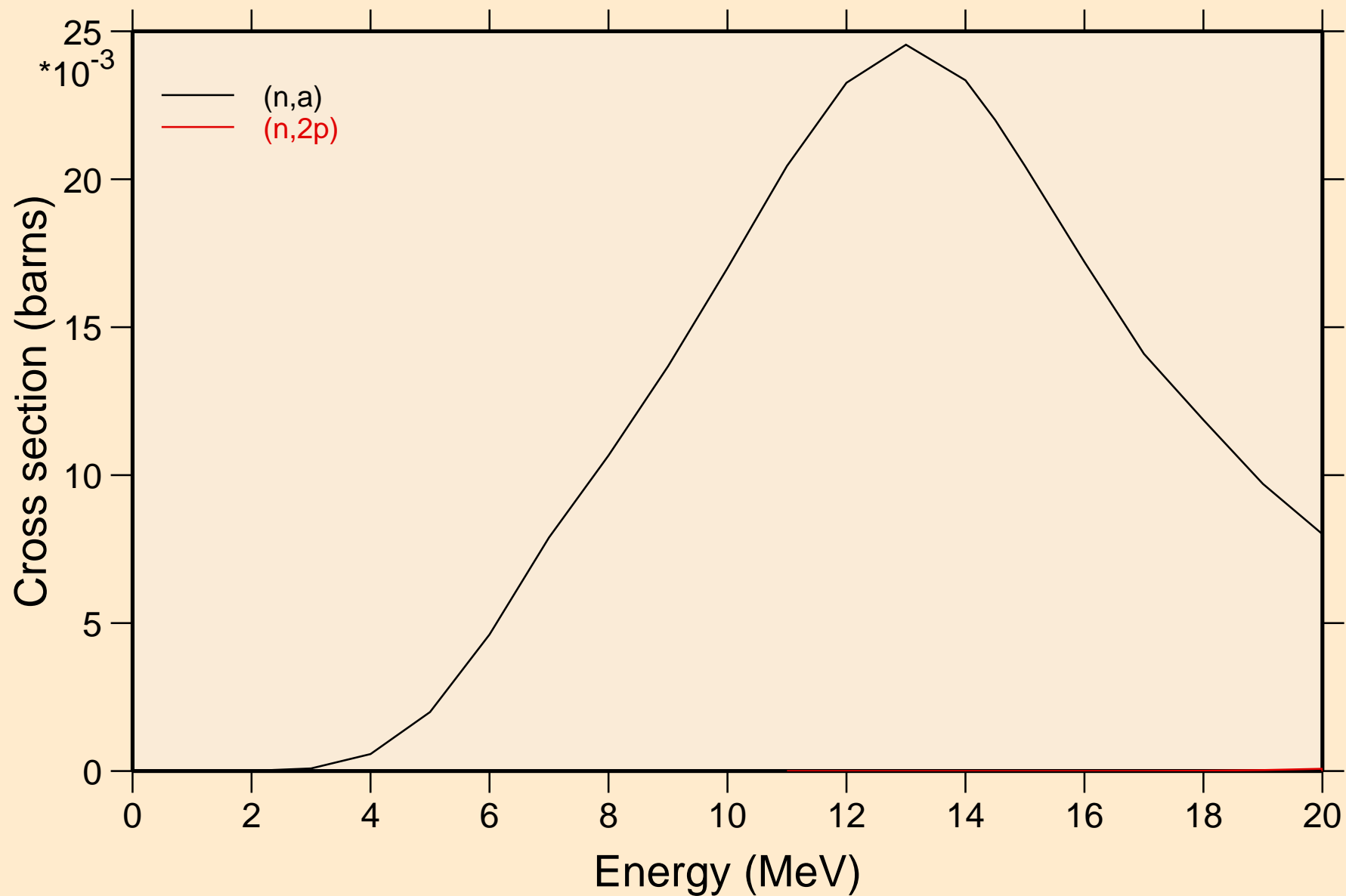


# 31-GA-69 FOR FENDL-3.2 FROM FENDL-3.2 BY NJOY2016.60+ O Threshold reactions

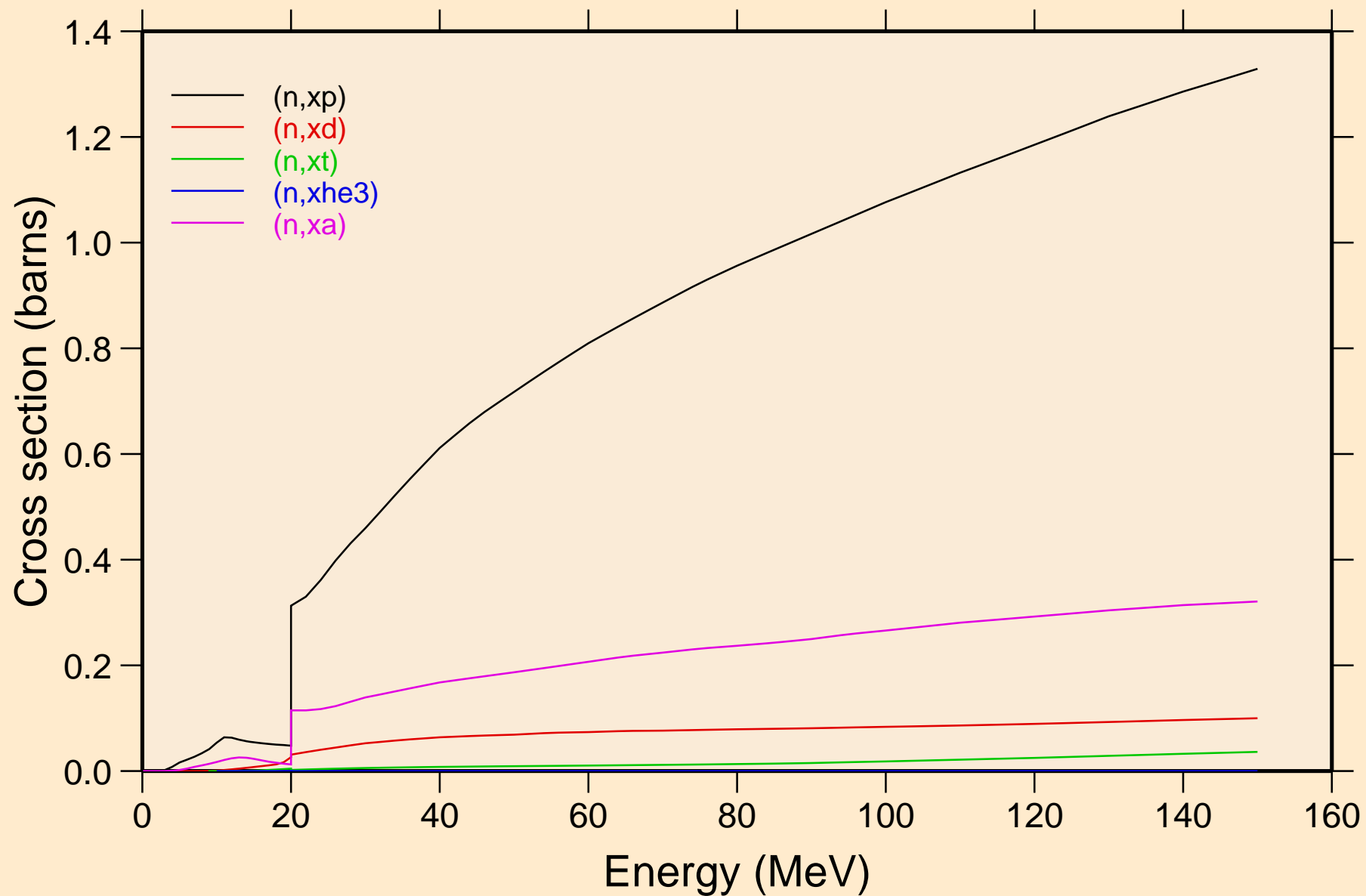




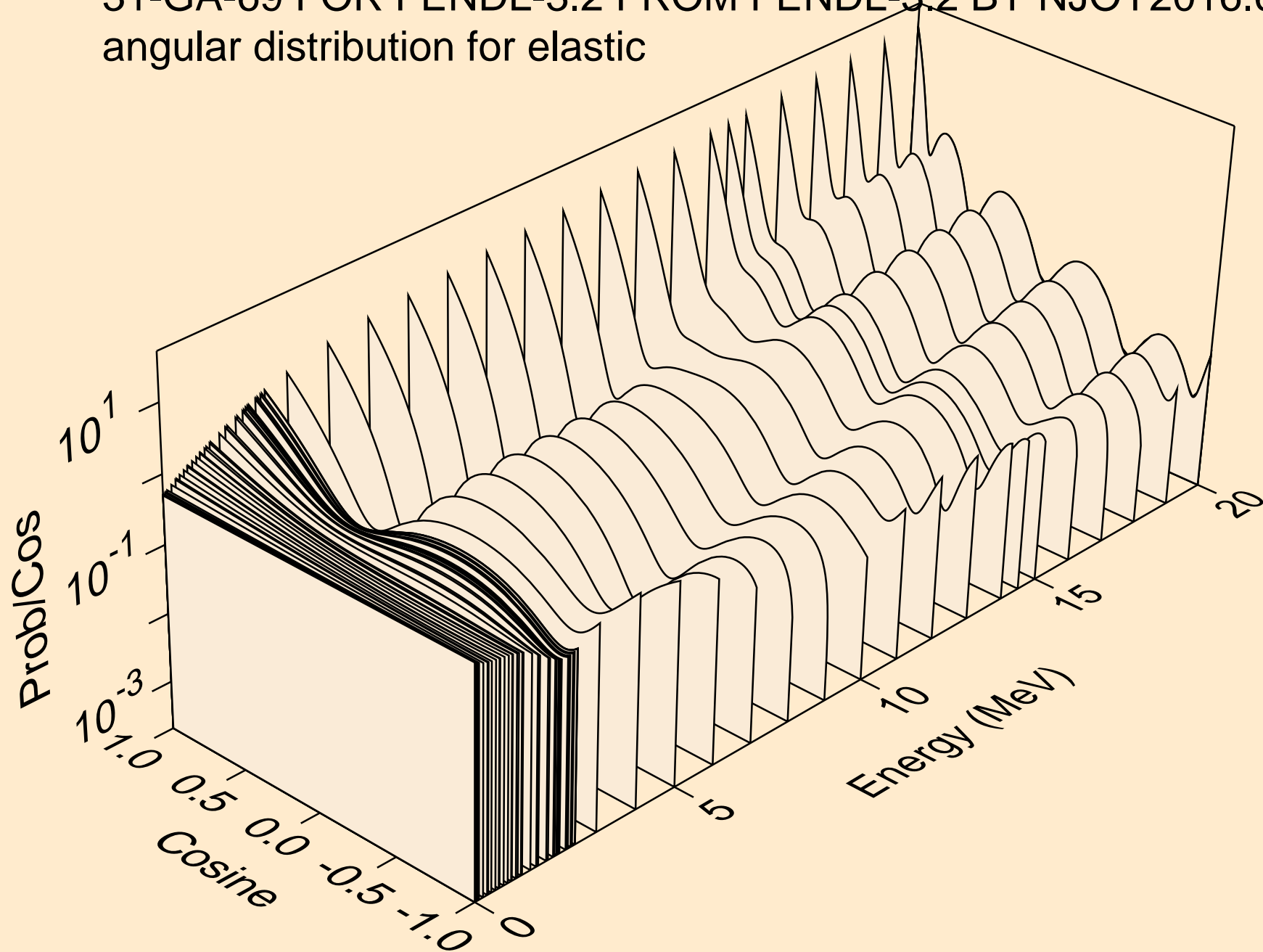
31-GA-69 FOR FENDL-3.2 FROM FENDL-3.2 BY NJOY2016.60+ O  
Threshold reactions



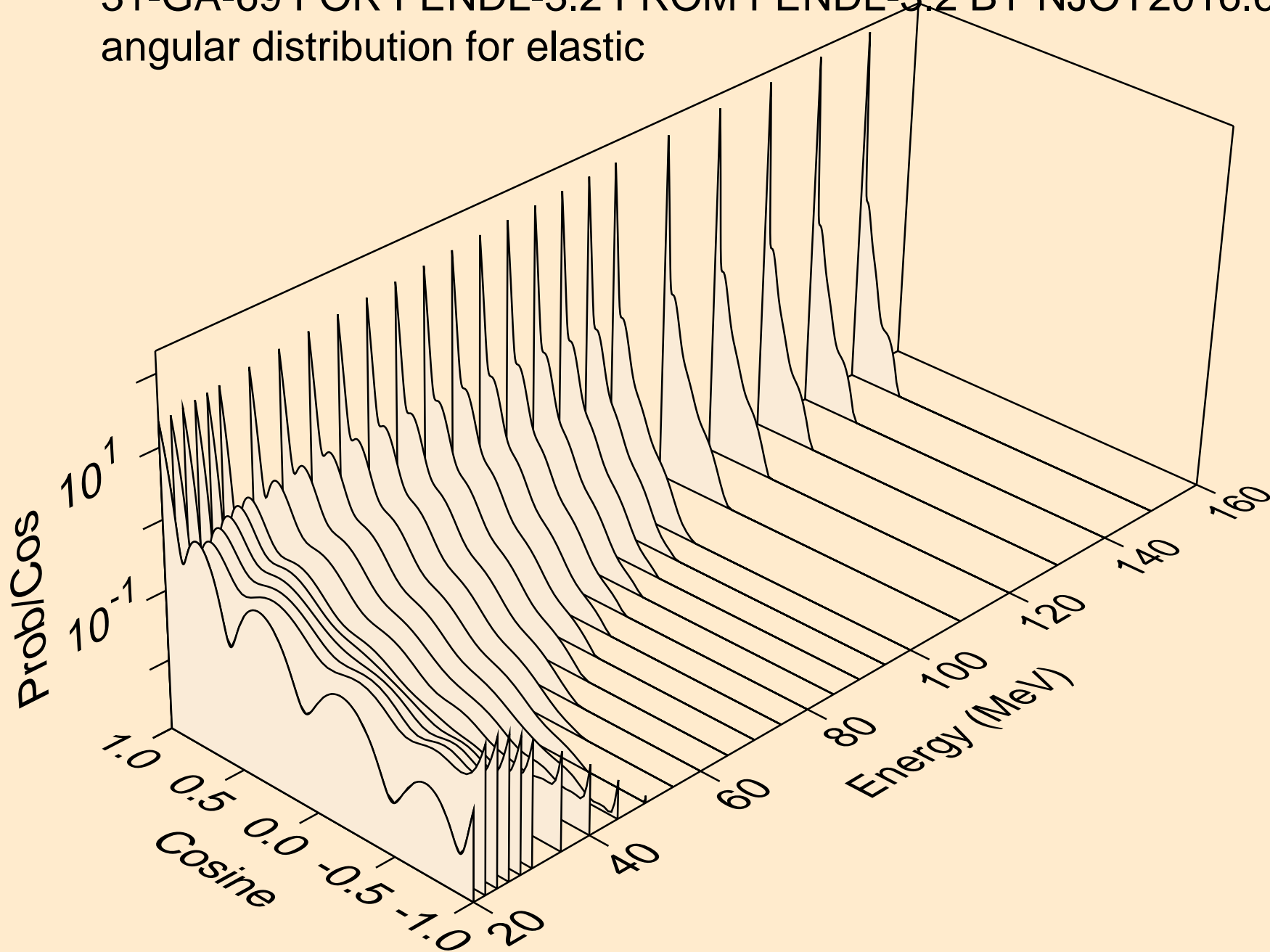
# 31-GA-69 FOR FENDL-3.2 FROM FENDL-3.2 BY NJOY2016.60+ O Threshold reactions



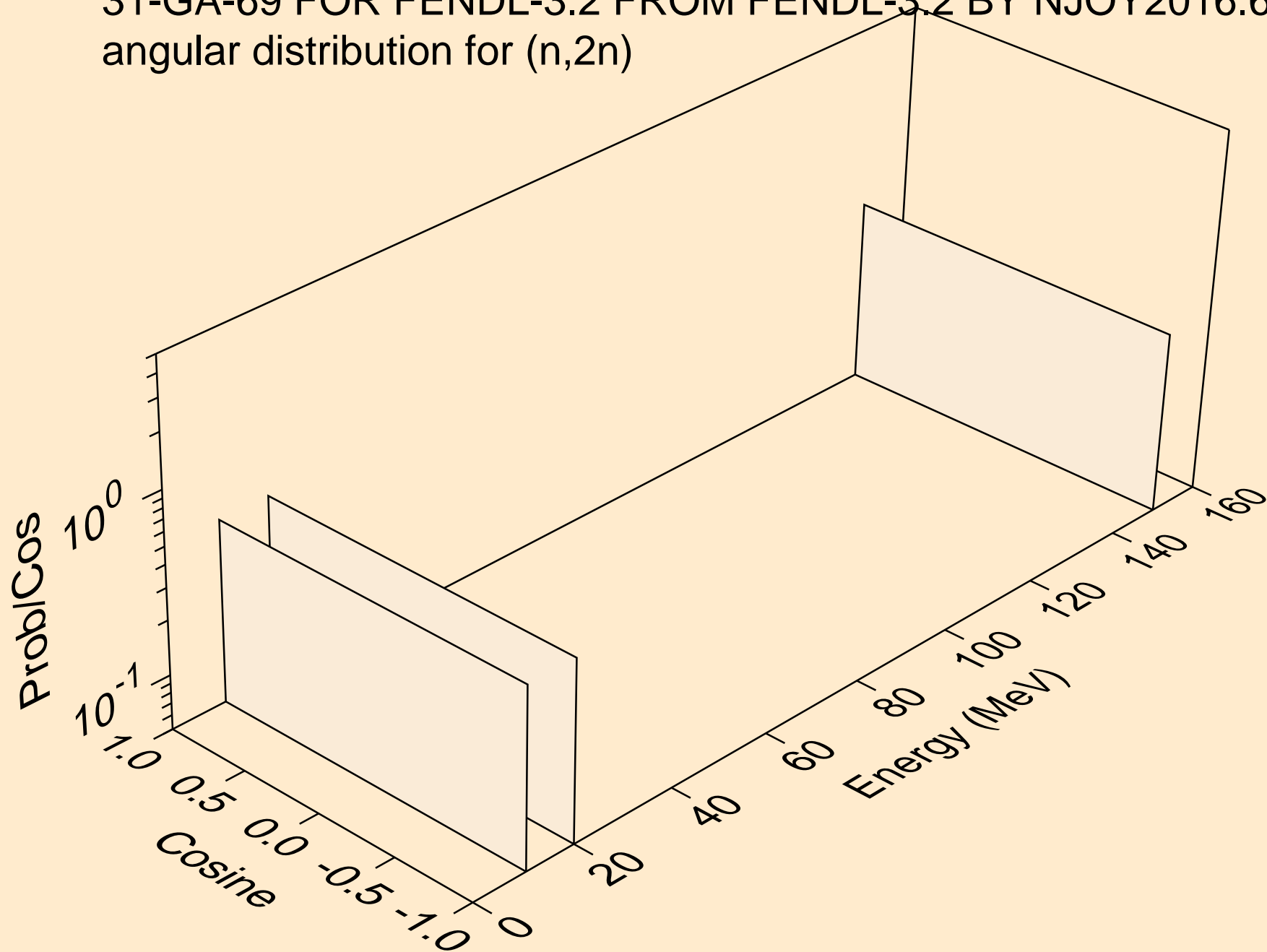
31-GA-69 FOR FENDL-3.2 FROM FENDL-3.2 BY NJOY2016.60+ O  
angular distribution for elastic



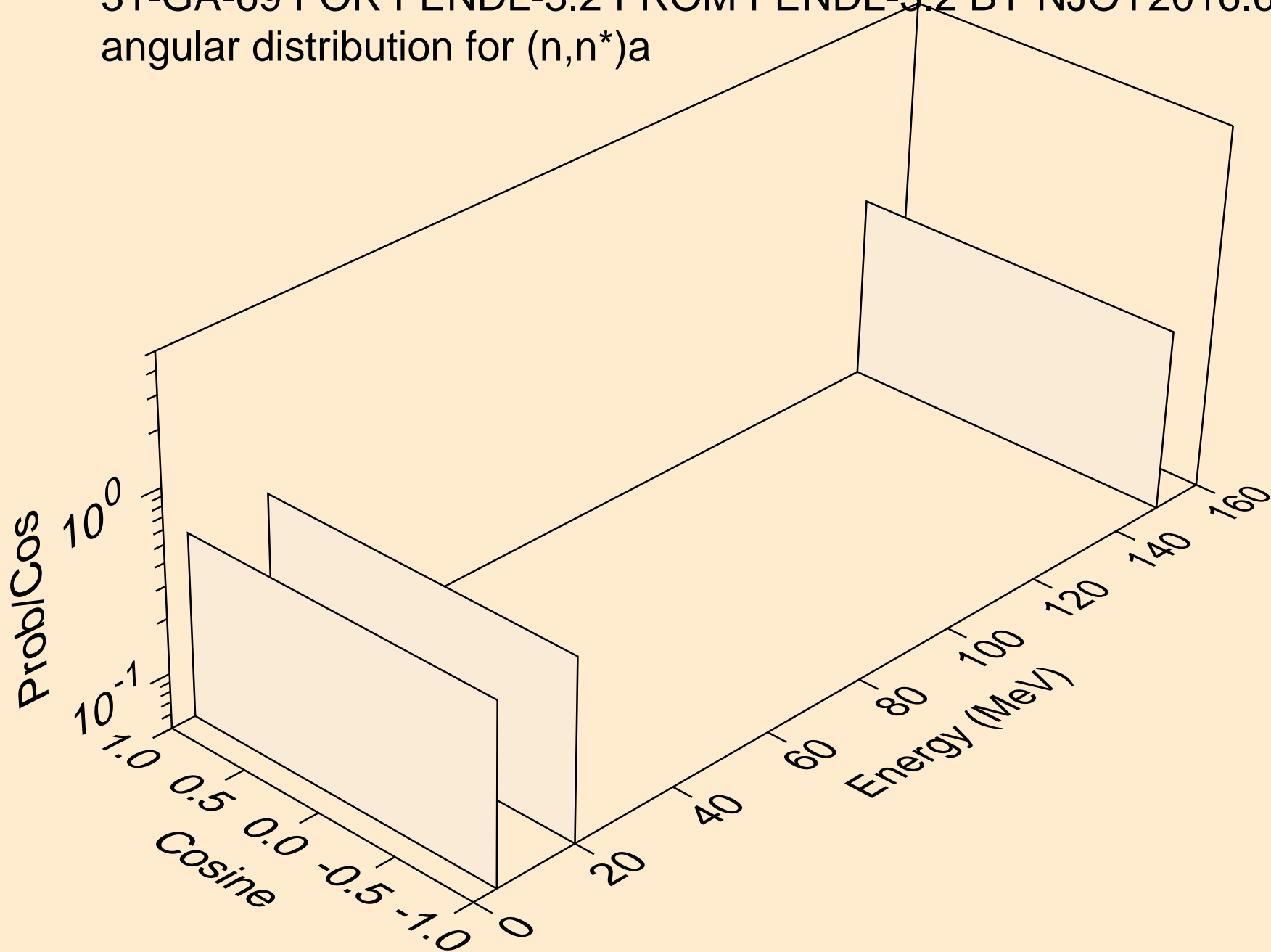
31-GA-69 FOR FENDL-3.2 FROM FENDL-3.2 BY NJOY2016.60+ O  
angular distribution for elastic



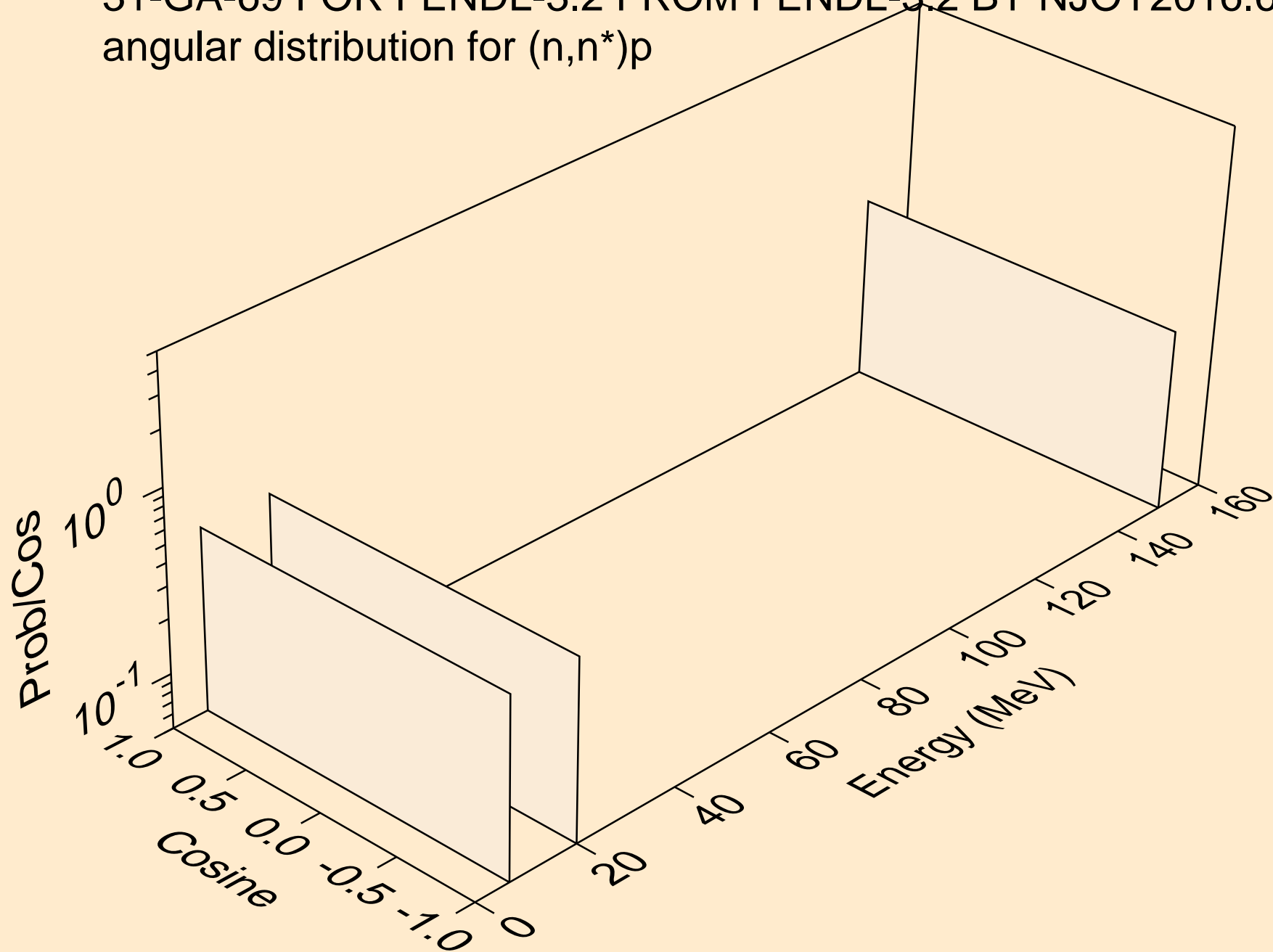
31-GA-69 FOR FENDL-3.2 FROM FENDL-3.2 BY NJOY2016.60+ O  
angular distribution for (n,2n)



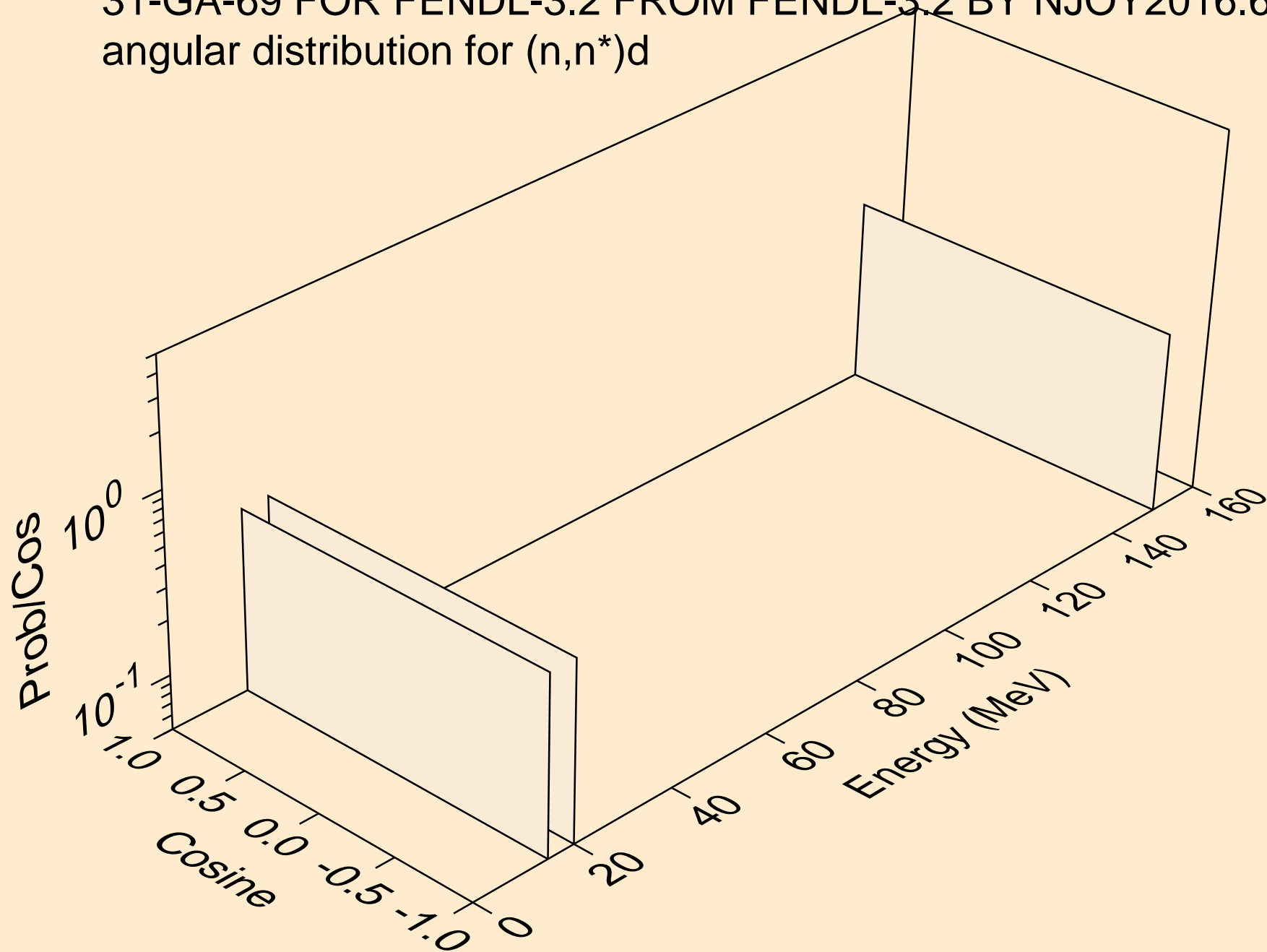
31-GA-69 FOR FENDL-3.2 FROM FENDL-3.2 BY NJOY2016.60+ O  
angular distribution for (n,n\*)a



31-GA-69 FOR FENDL-3.2 FROM FENDL-3.2 BY NJOY2016.60+ O  
angular distribution for (n,n\*)p

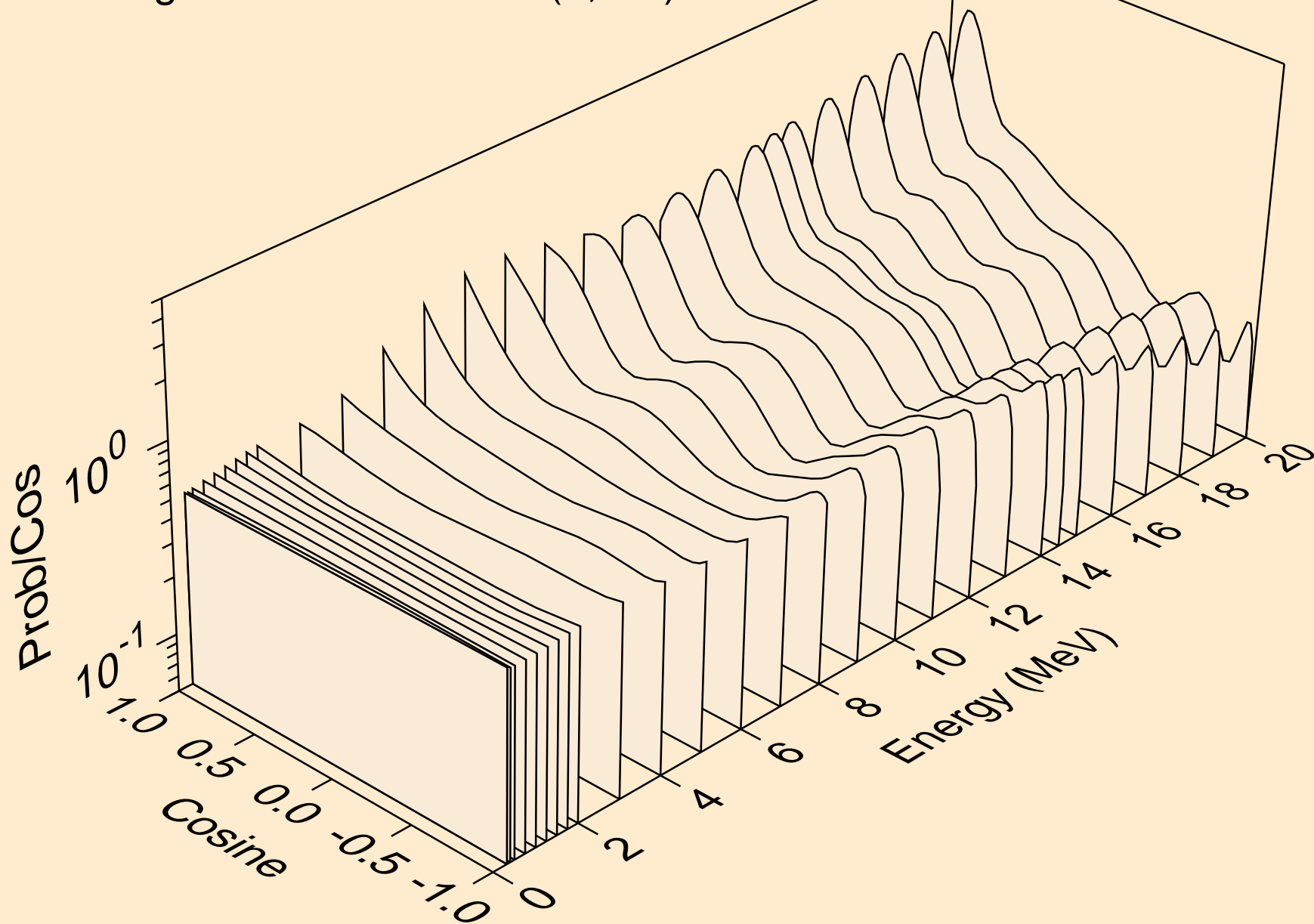


31-GA-69 FOR FENDL-3.2 FROM FENDL-3.2 BY NJOY2016.60+ O  
angular distribution for (n,n\*)d

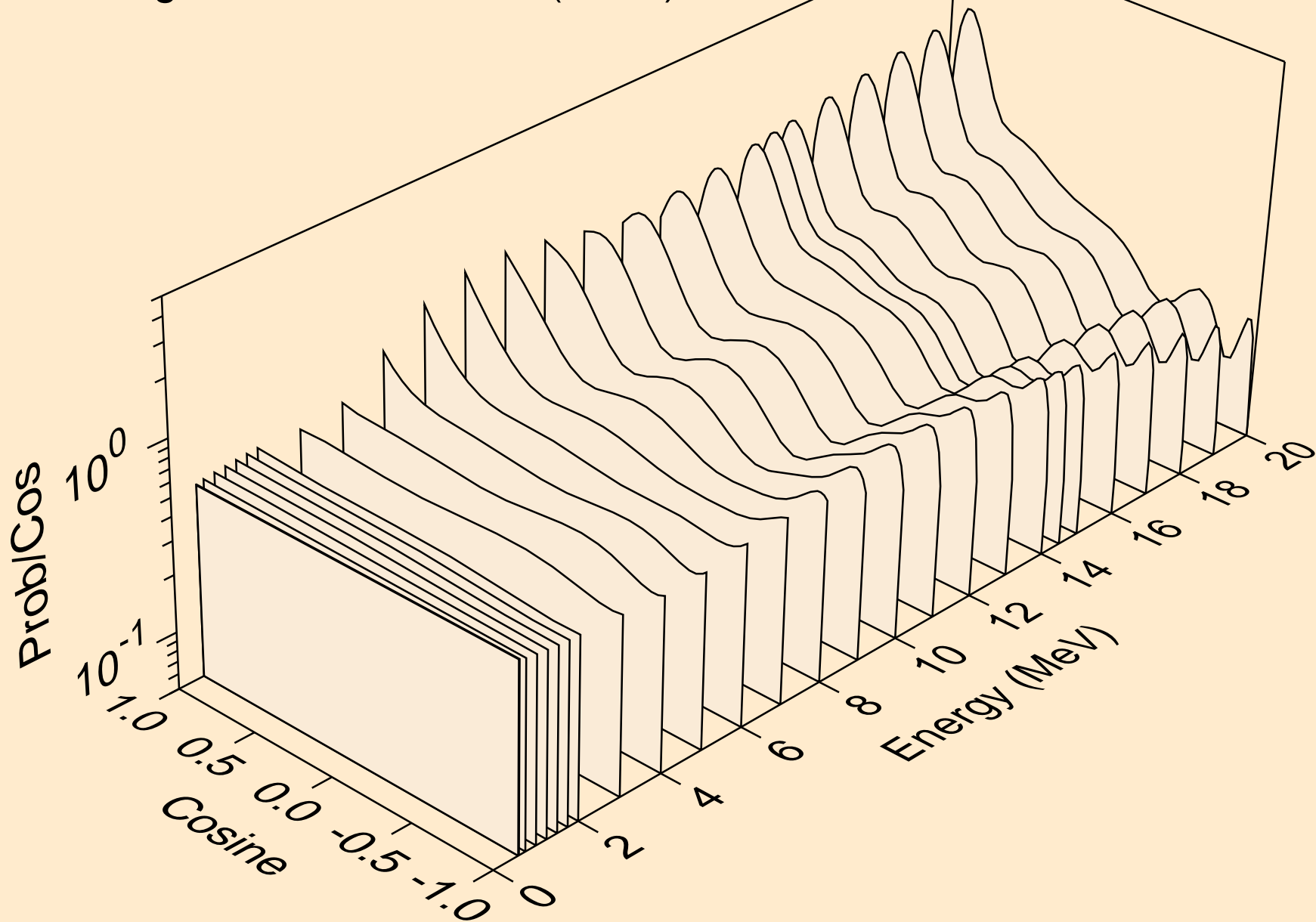




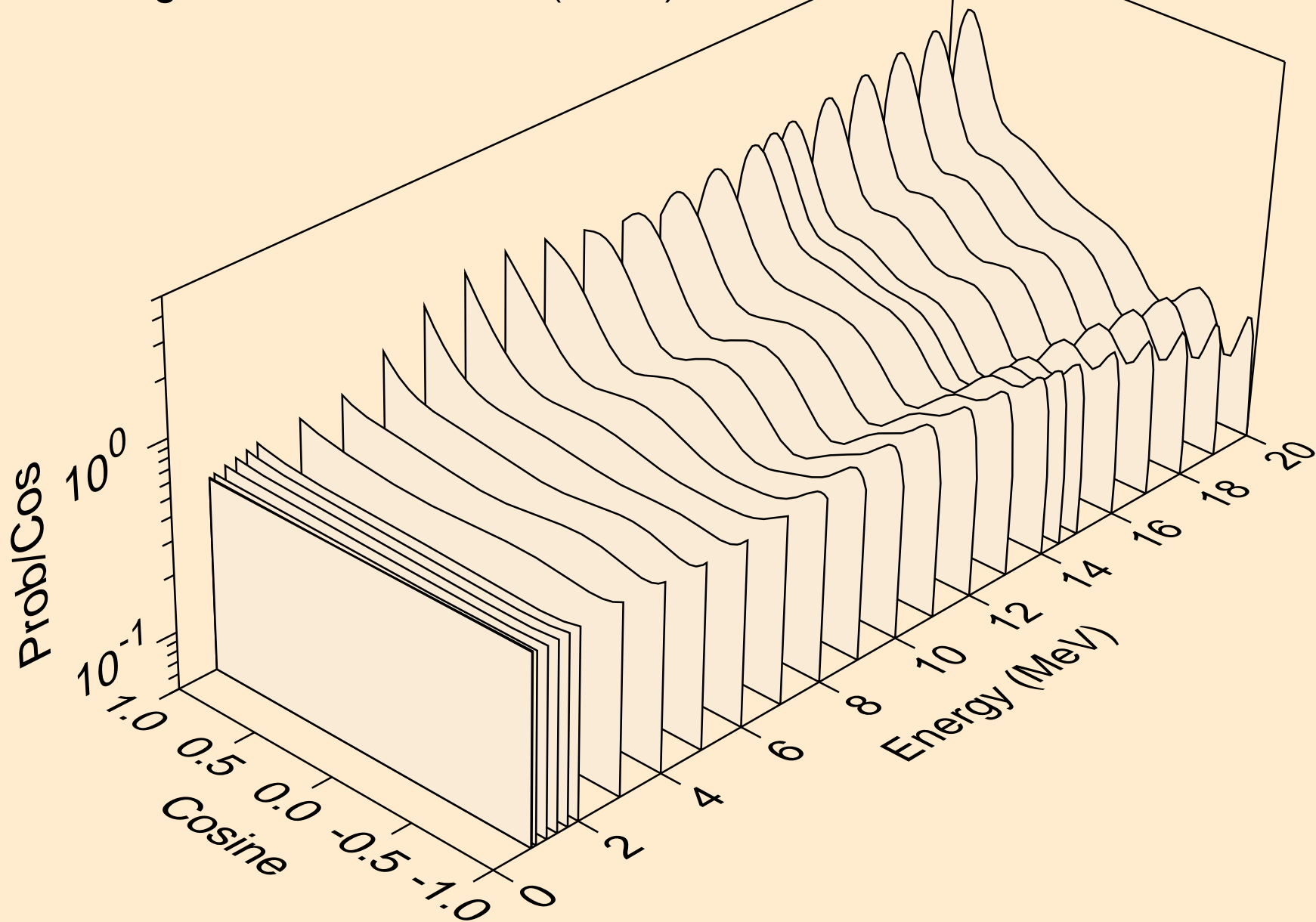
31-GA-69 FOR FENDL-3.2 FROM FENDL-3.2 BY NJOY2016.60+ O  
angular distribution for (n,n\*1)



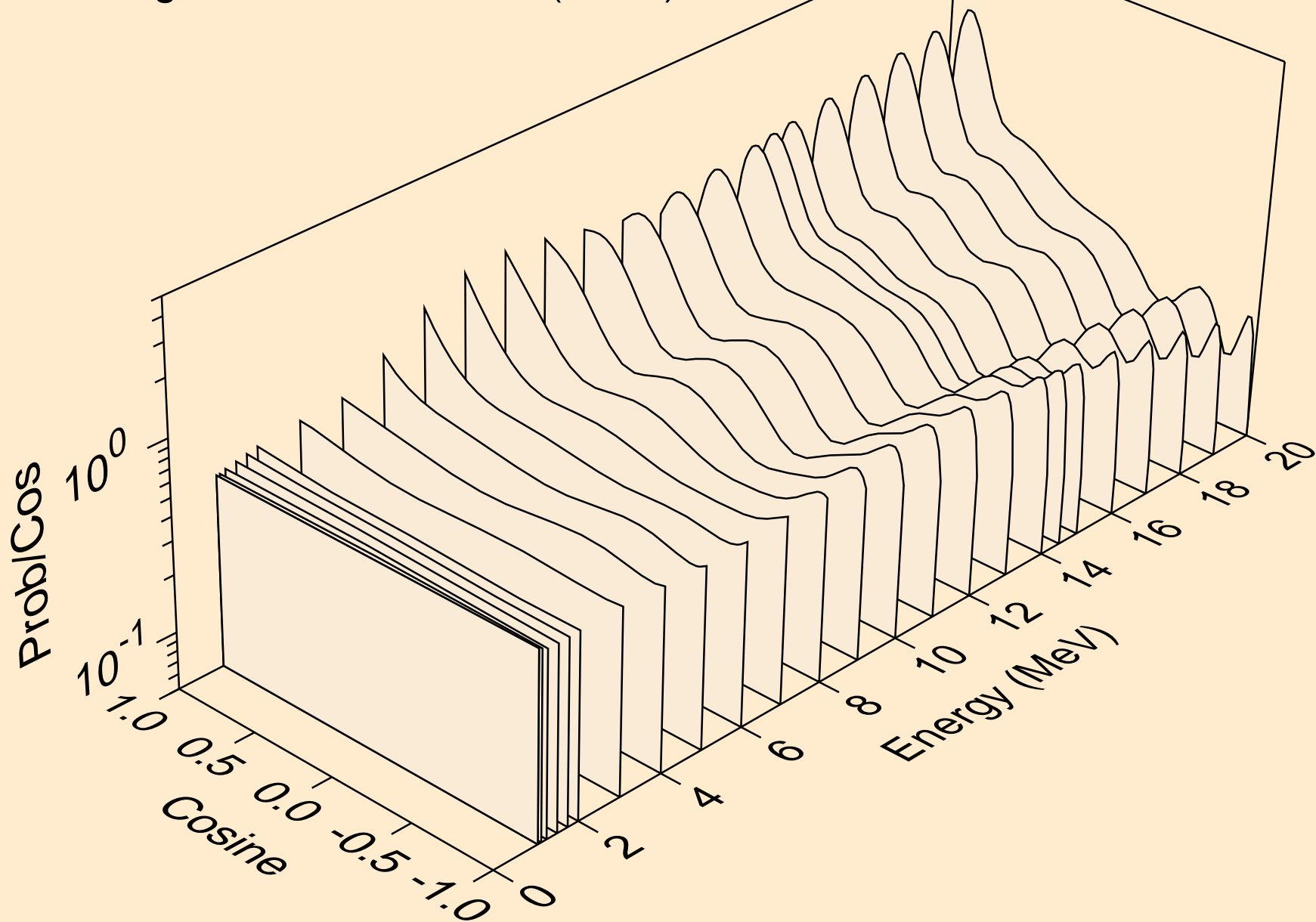
31-GA-69 FOR FENDL-3.2 FROM FENDL-3.2 BY NJOY2016.60+ O  
angular distribution for (n,n\*2)



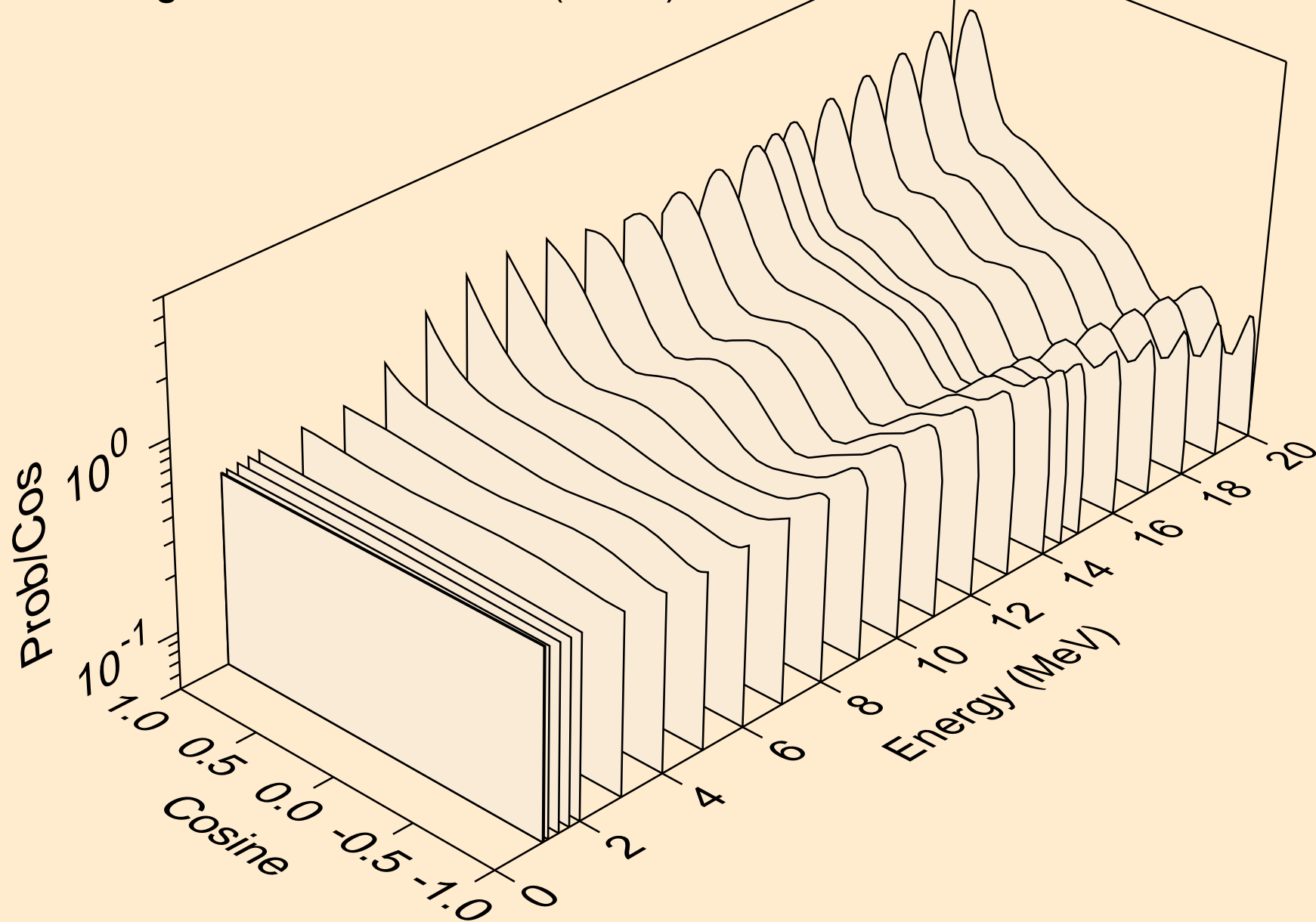
31-GA-69 FOR FENDL-3.2 FROM FENDL-3.2 BY NJOY2016.60+ O  
angular distribution for (n,n\*3)



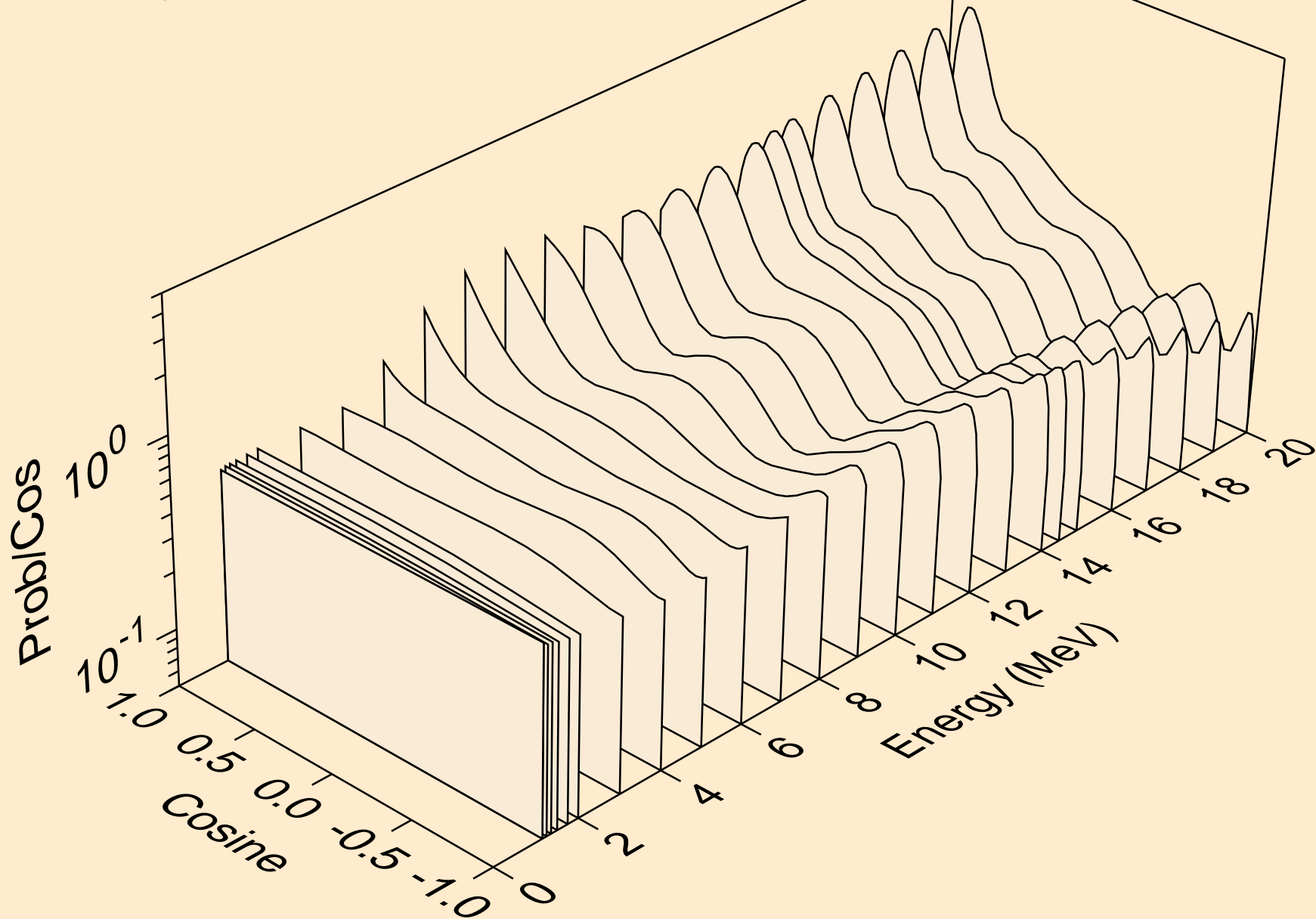
31-GA-69 FOR FENDL-3.2 FROM FENDL-3.2 BY NJOY2016.60+ O  
angular distribution for (n,n\*4)



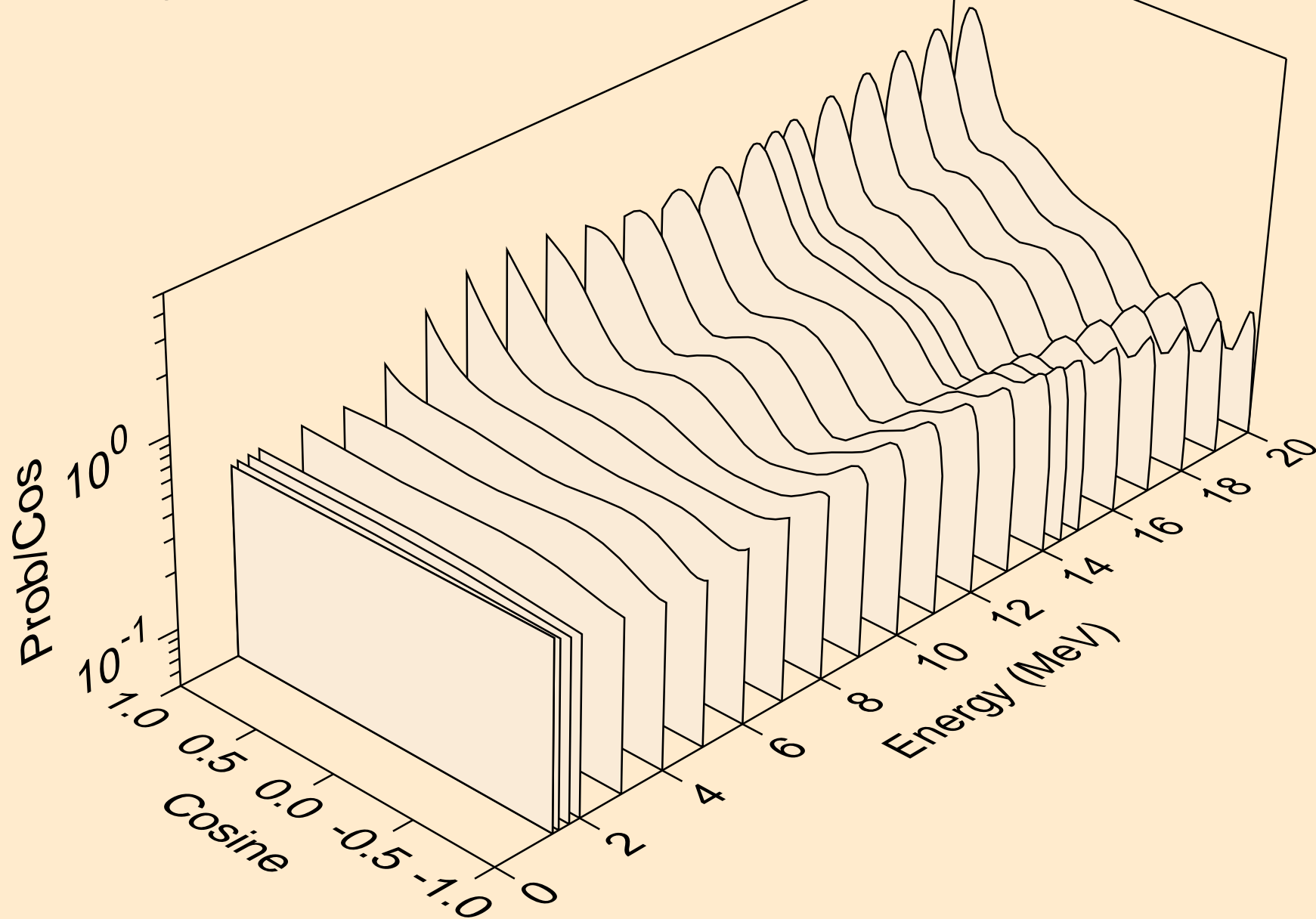
31-GA-69 FOR FENDL-3.2 FROM FENDL-3.2 BY NJOY2016.60+ O  
angular distribution for (n,n\*5)



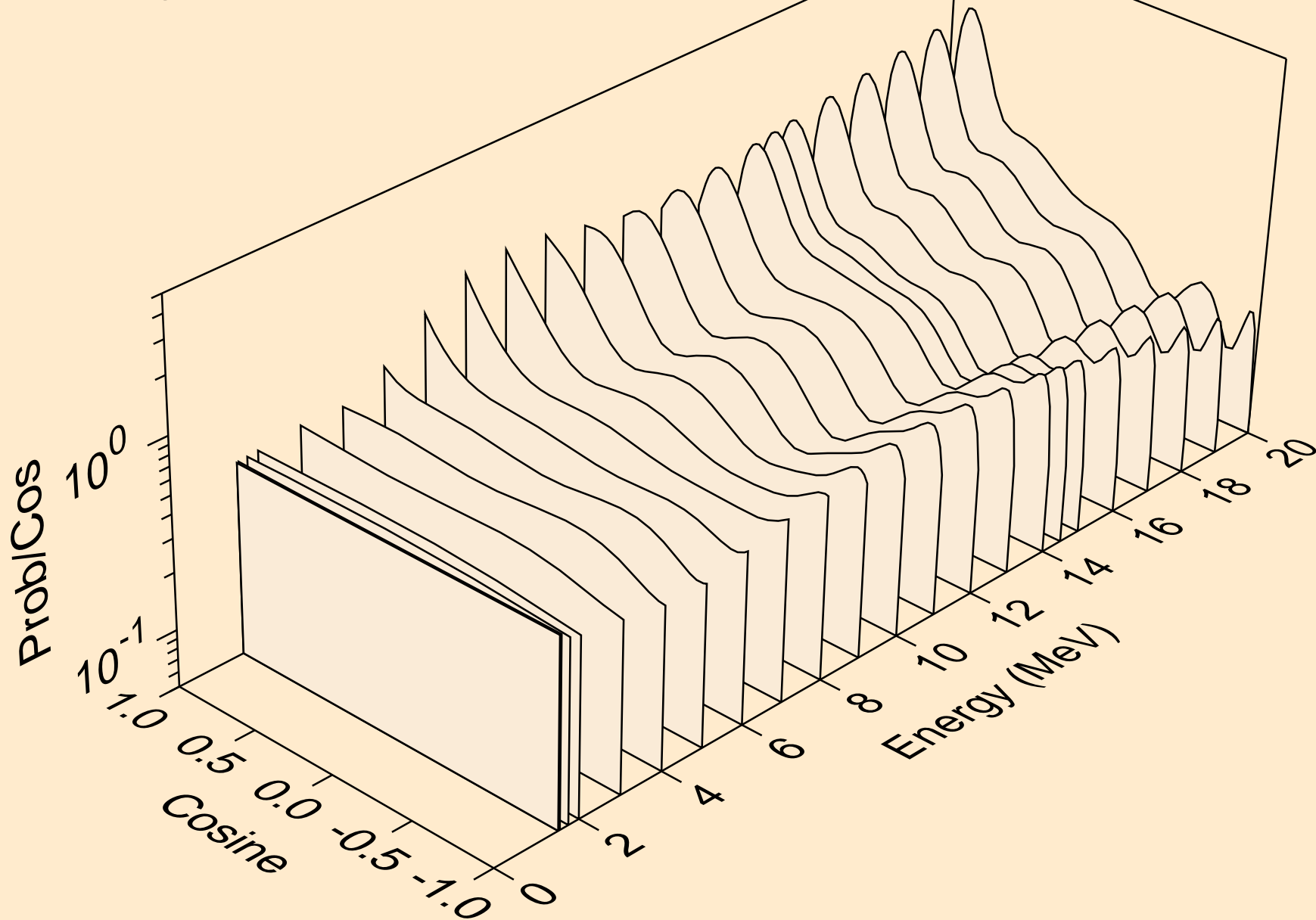
31-GA-69 FOR FENDL-3.2 FROM FENDL-3.2 BY NJOY2016.60+ O  
angular distribution for (n,n\*6)



31-GA-69 FOR FENDL-3.2 FROM FENDL-3.2 BY NJOY2016.60+ O  
angular distribution for (n,n\*7)

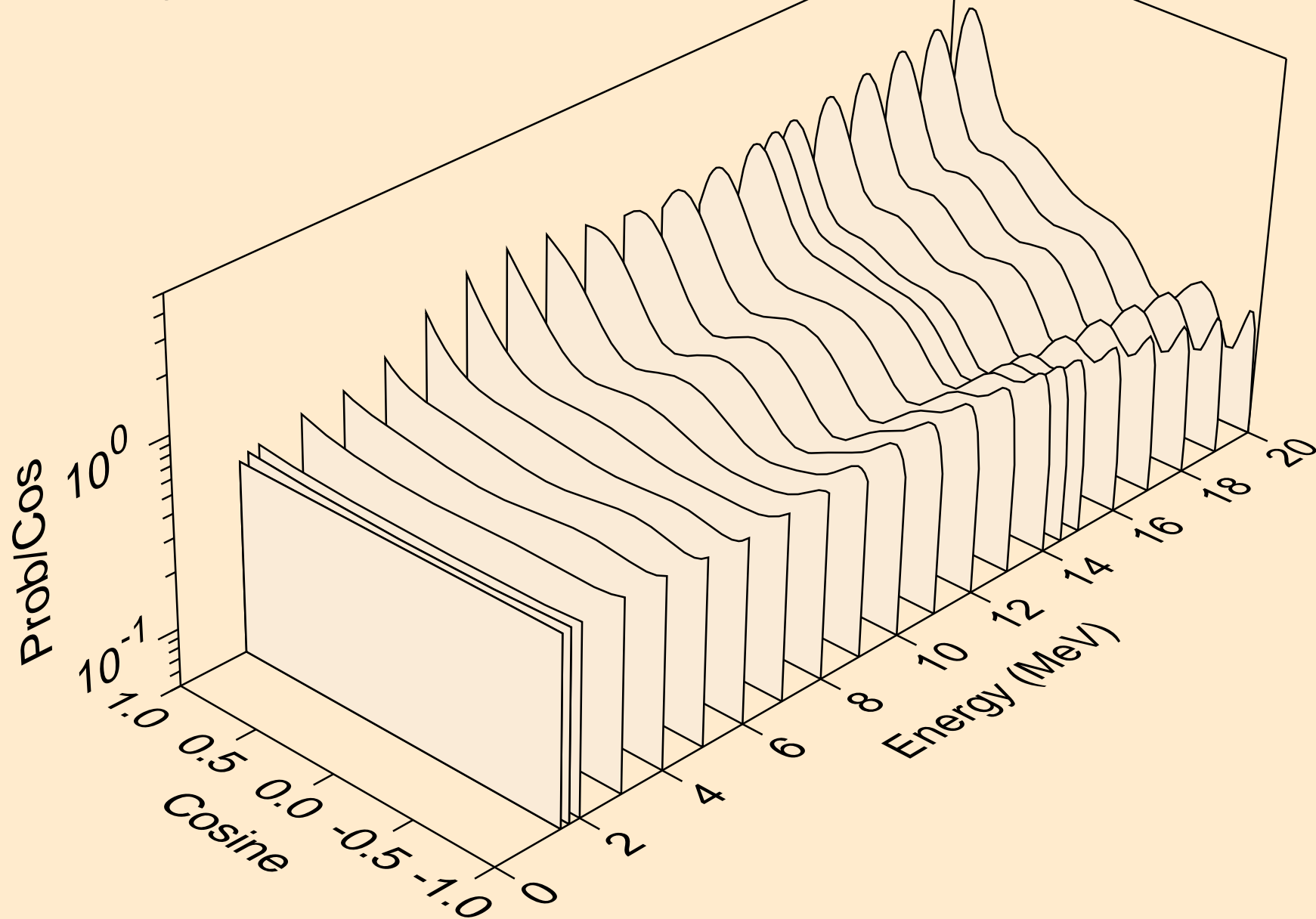


31-GA-69 FOR FENDL-3.2 FROM FENDL-3.2 BY NJOY2016.60+ O  
angular distribution for (n,n\*8)

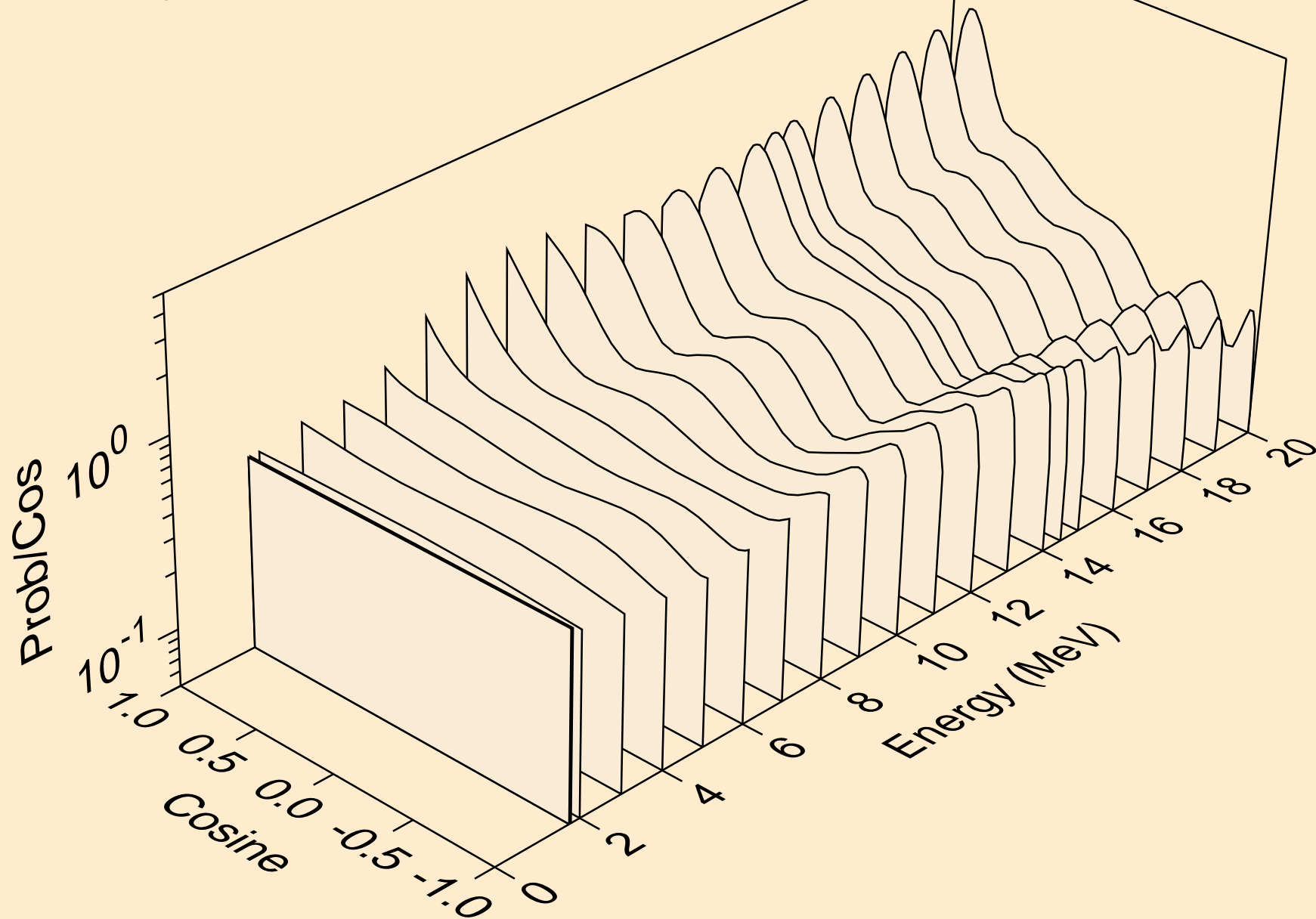




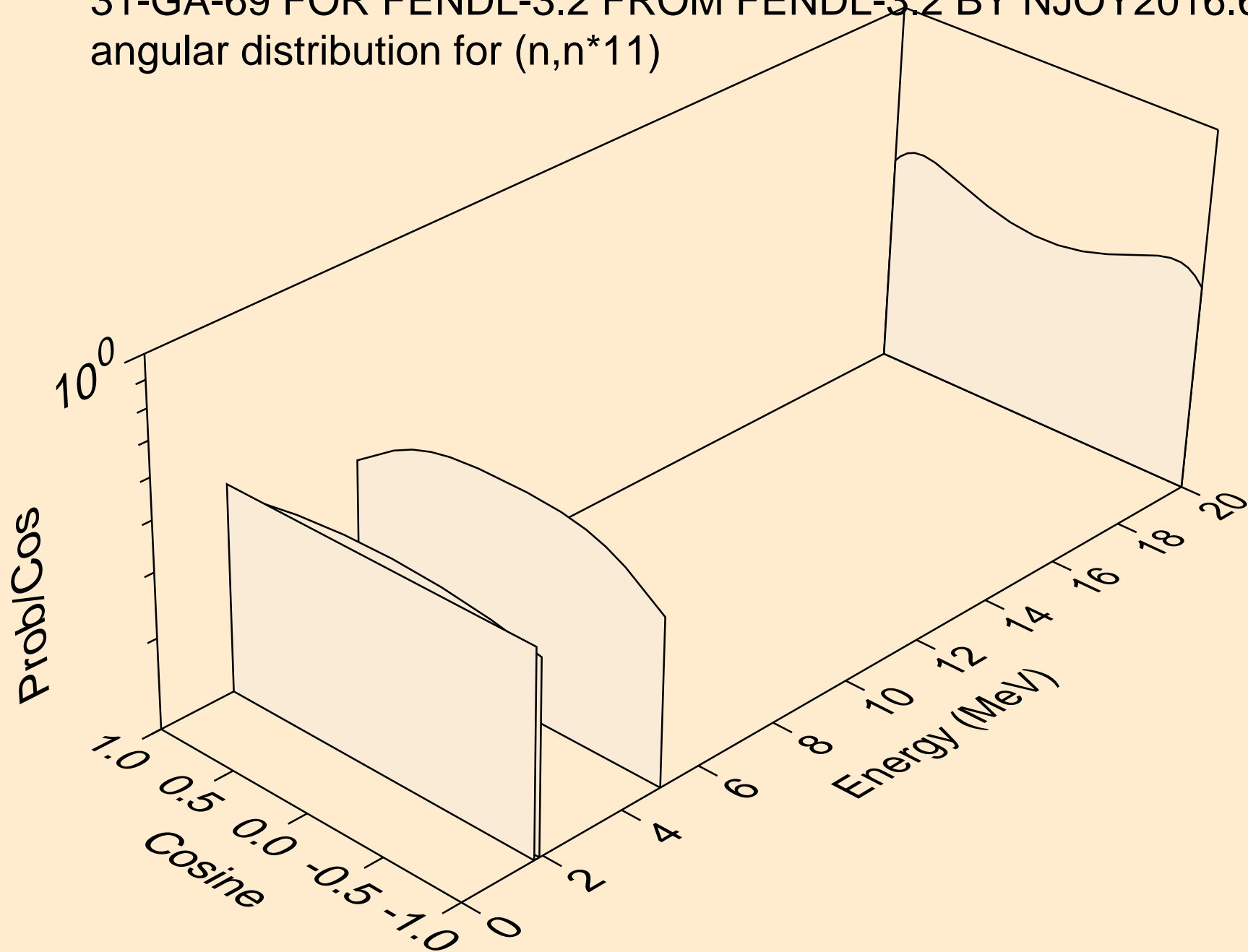
31-GA-69 FOR FENDL-3.2 FROM FENDL-3.2 BY NJOY2016.60+ O  
angular distribution for (n,n\*9)



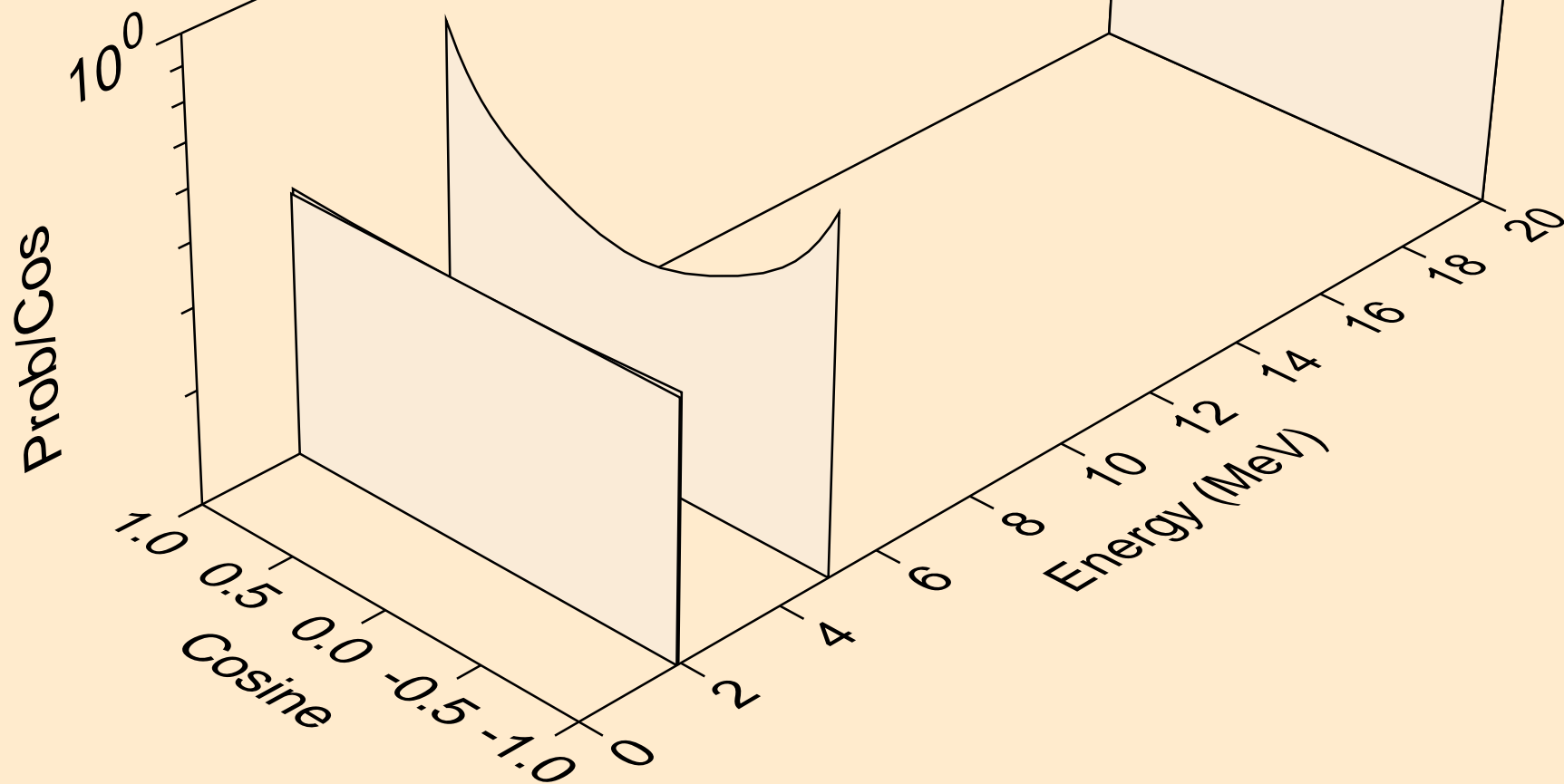
31-GA-69 FOR FENDL-3.2 FROM FENDL-3.2 BY NJOY2016.60+ O  
angular distribution for (n,n\*10)



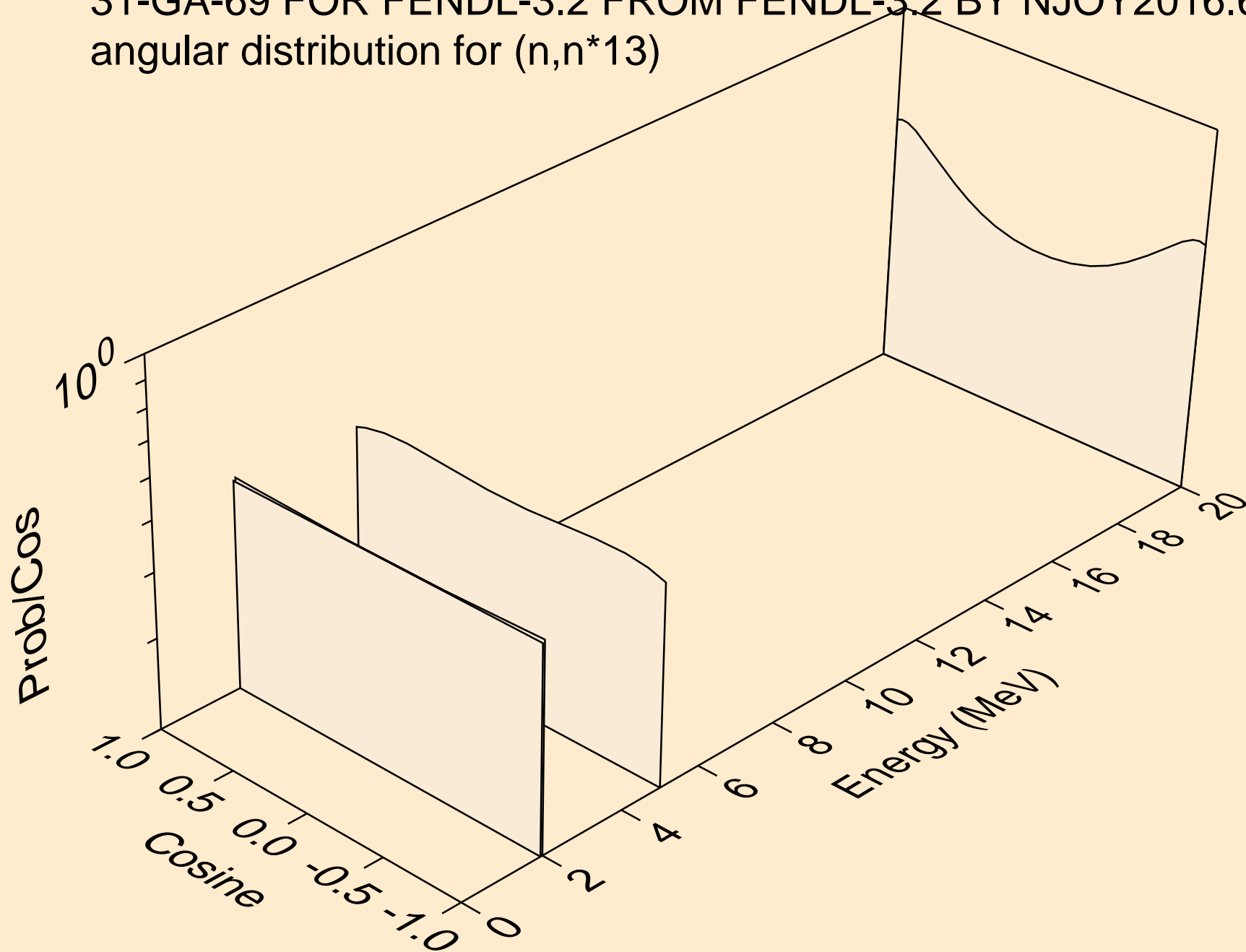
31-GA-69 FOR FENDL-3.2 FROM FENDL-3.2 BY NJOY2016.60+ O  
angular distribution for (n,n\*11)



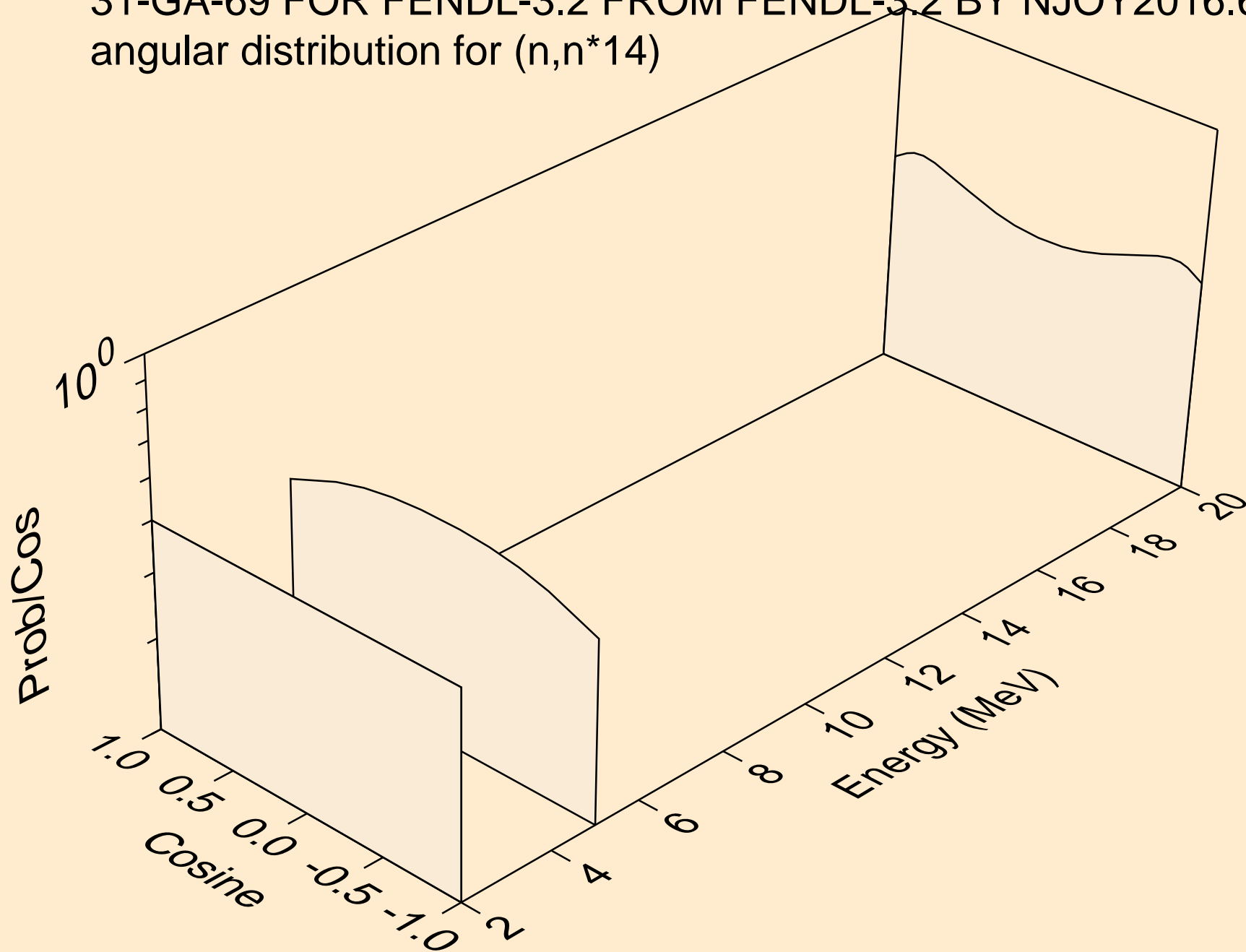
31-GA-69 FOR FENDL-3.2 FROM FENDL-3.2 BY NJOY2016.60+ O  
angular distribution for (n,n\*12)



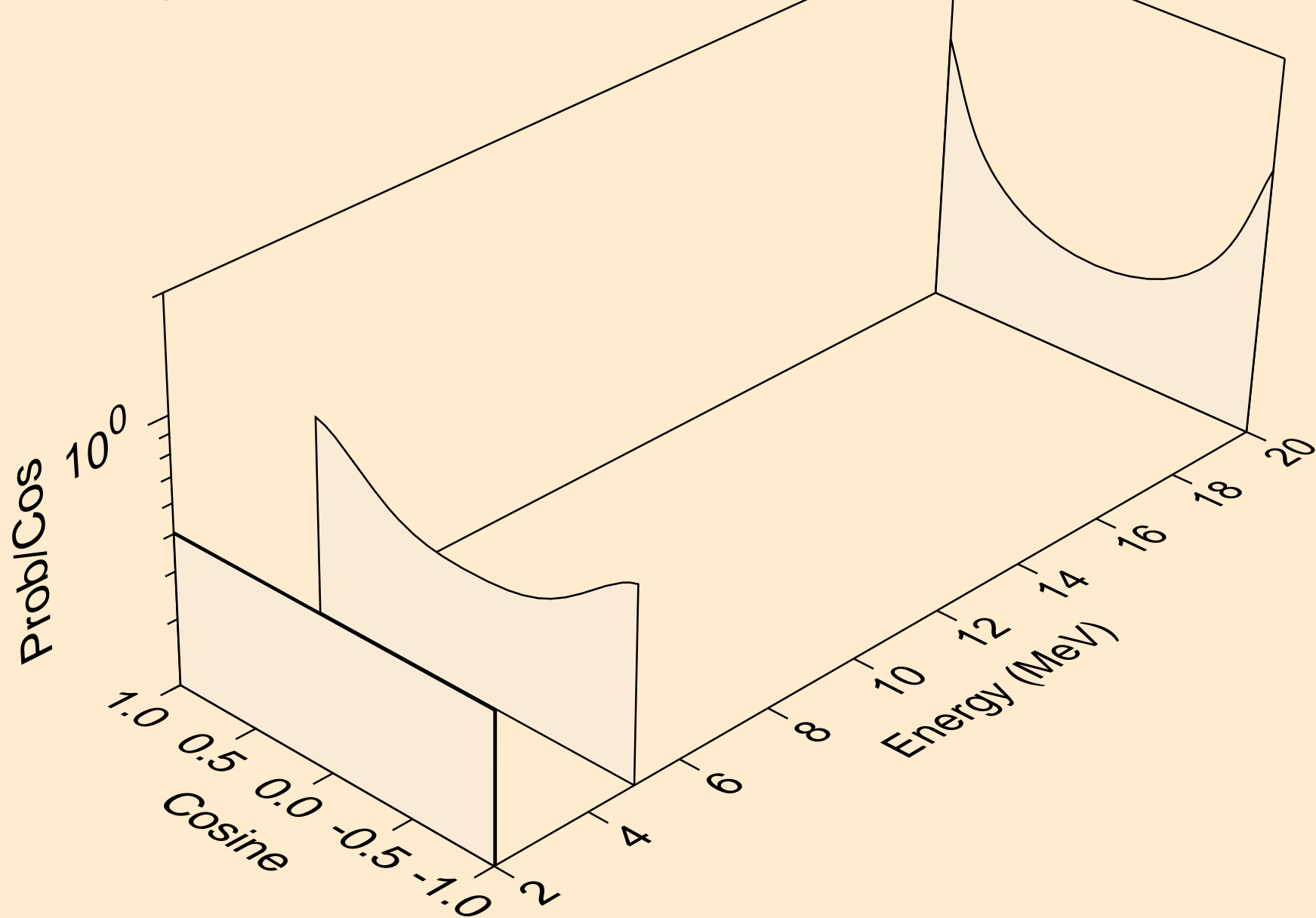
31-GA-69 FOR FENDL-3.2 FROM FENDL-3.2 BY NJOY2016.60+ O  
angular distribution for (n,n\*13)



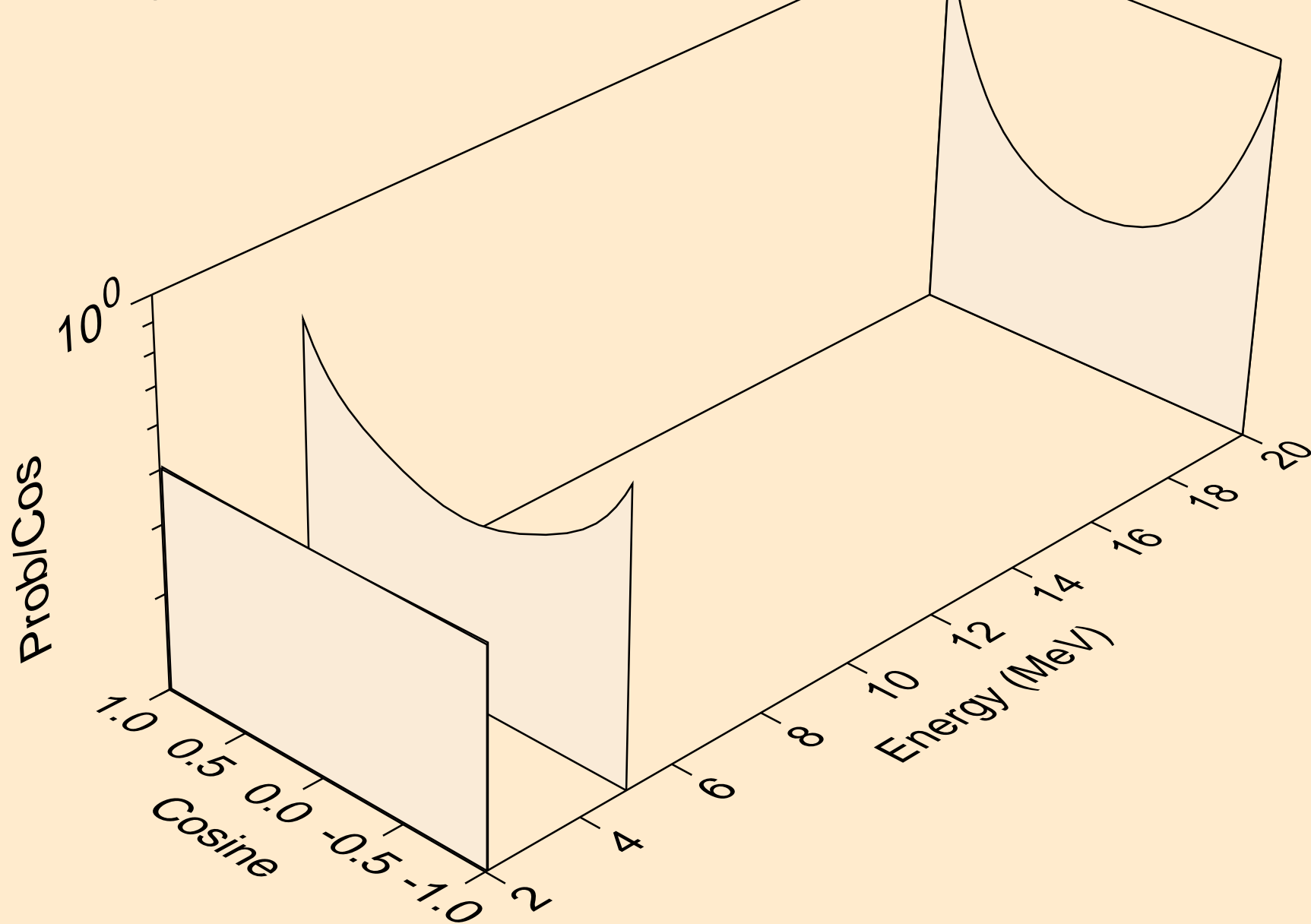
31-GA-69 FOR FENDL-3.2 FROM FENDL-3.2 BY NJOY2016.60+ O  
angular distribution for (n,n\*14)



31-GA-69 FOR FENDL-3.2 FROM FENDL-3.2 BY NJOY2016.60+ O  
angular distribution for (n,n\*15)

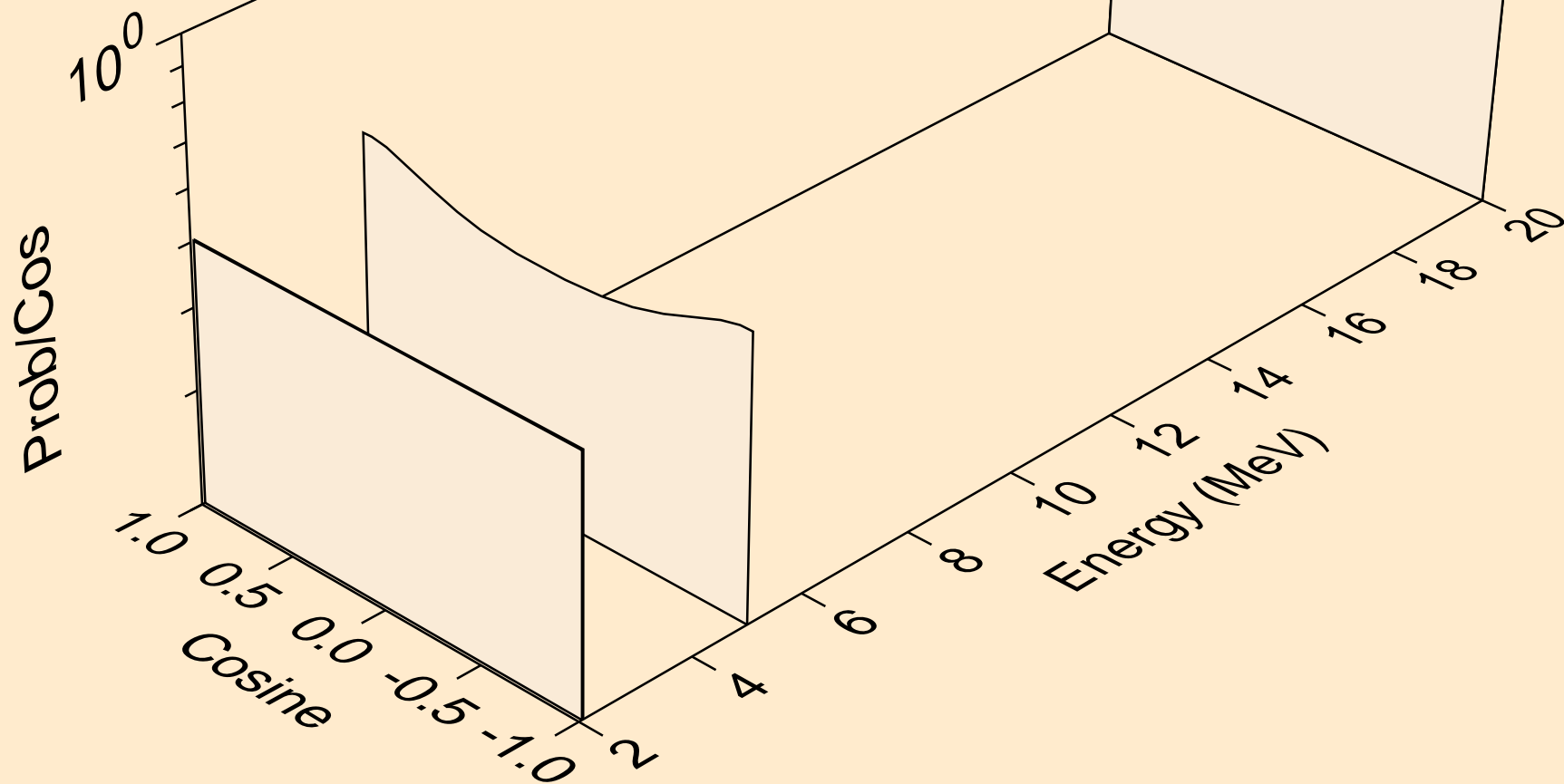


31-GA-69 FOR FENDL-3.2 FROM FENDL-3.2 BY NJOY2016.60+ O  
angular distribution for (n,n\*16)

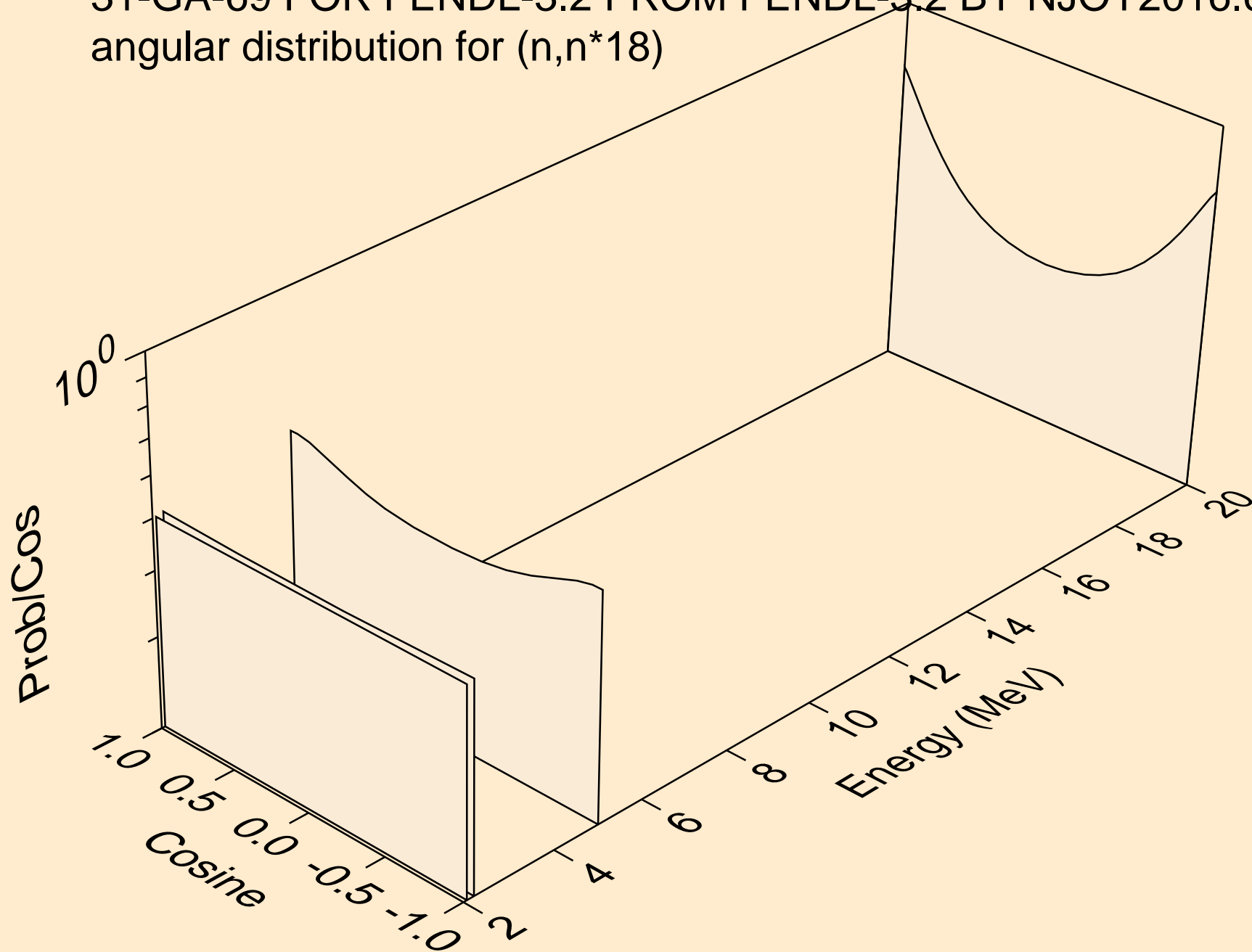




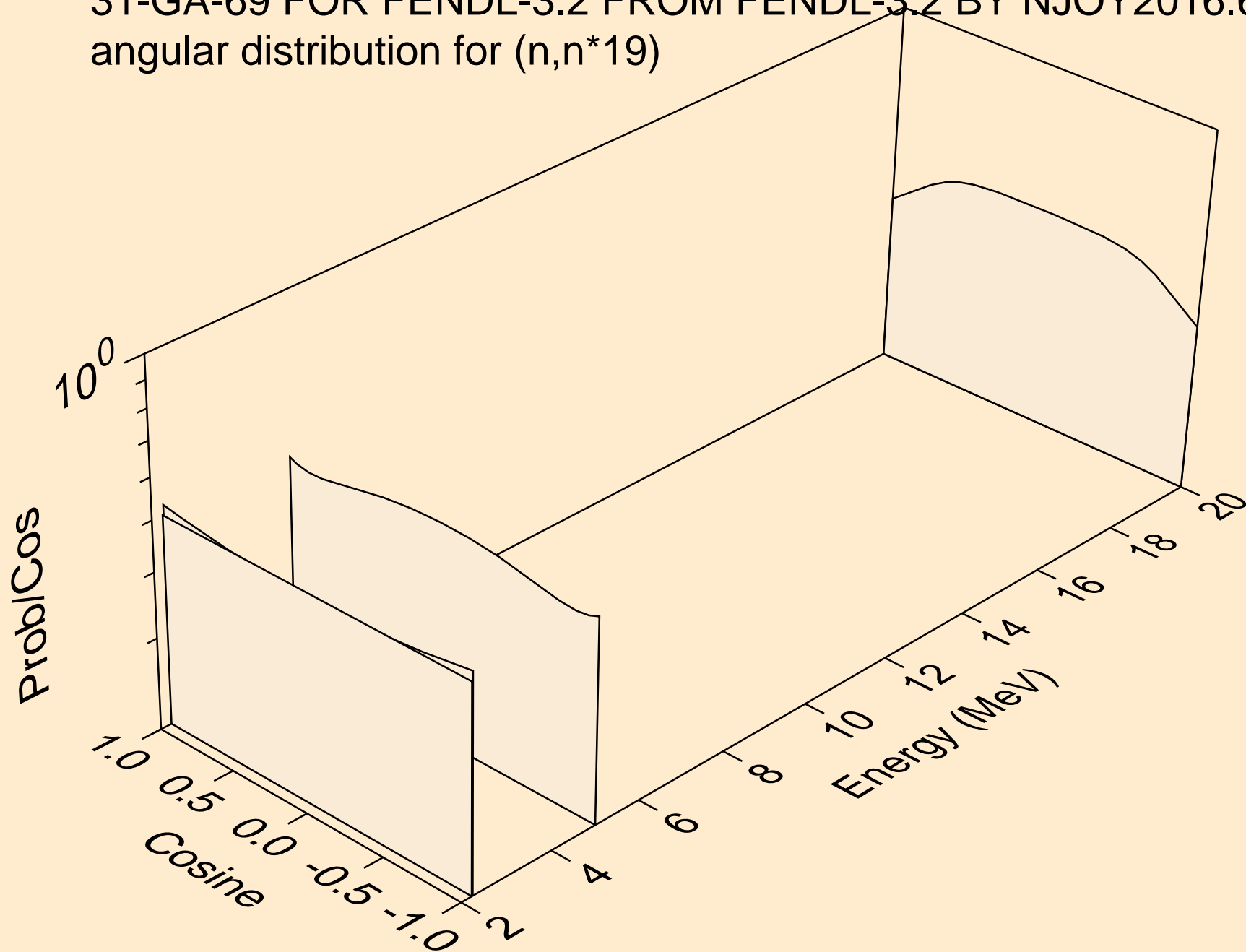
31-GA-69 FOR FENDL-3.2 FROM FENDL-3.2 BY NJOY2016.60+ O  
angular distribution for (n,n\*17)



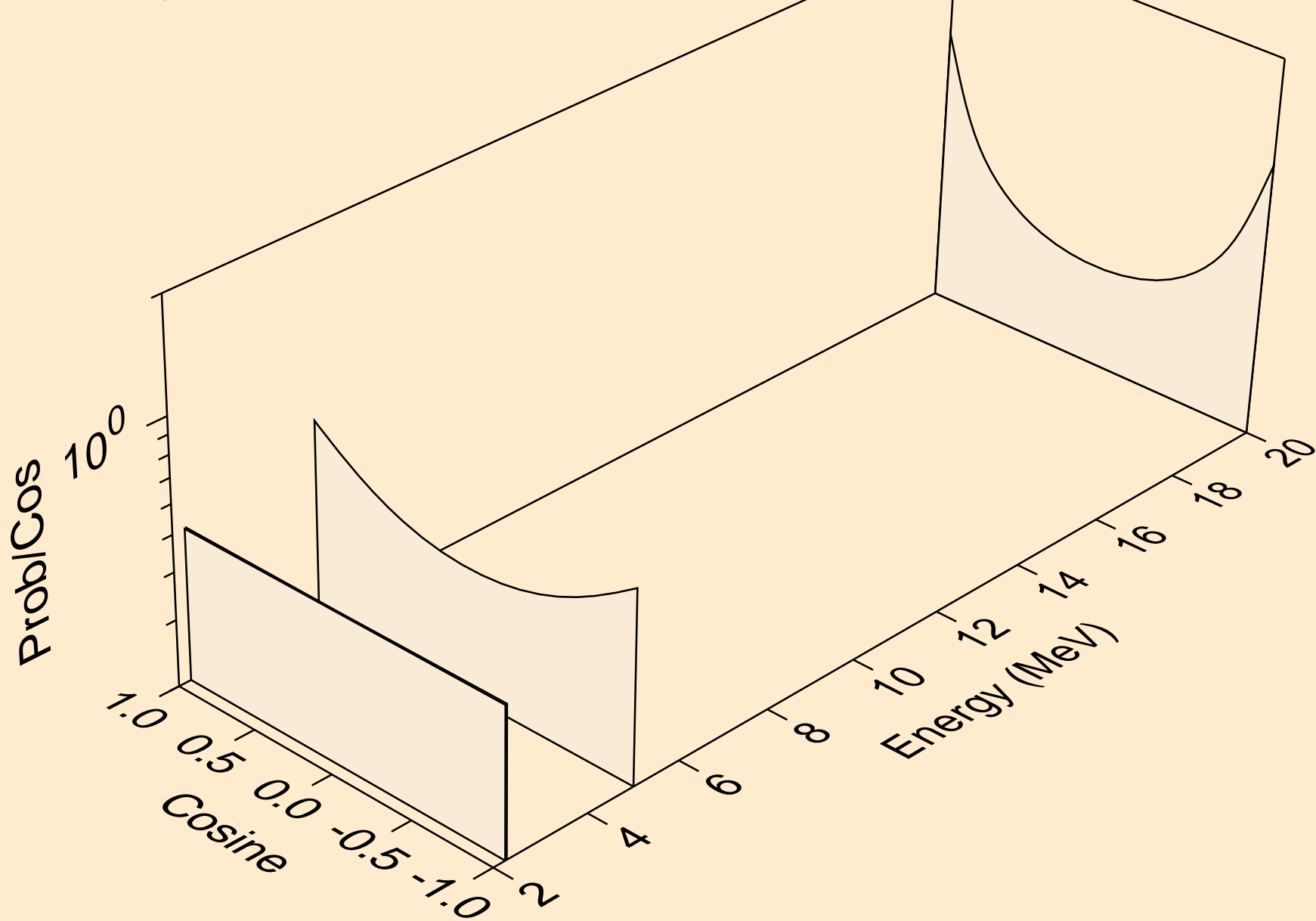
31-GA-69 FOR FENDL-3.2 FROM FENDL-3.2 BY NJOY2016.60+ O  
angular distribution for (n,n\*18)



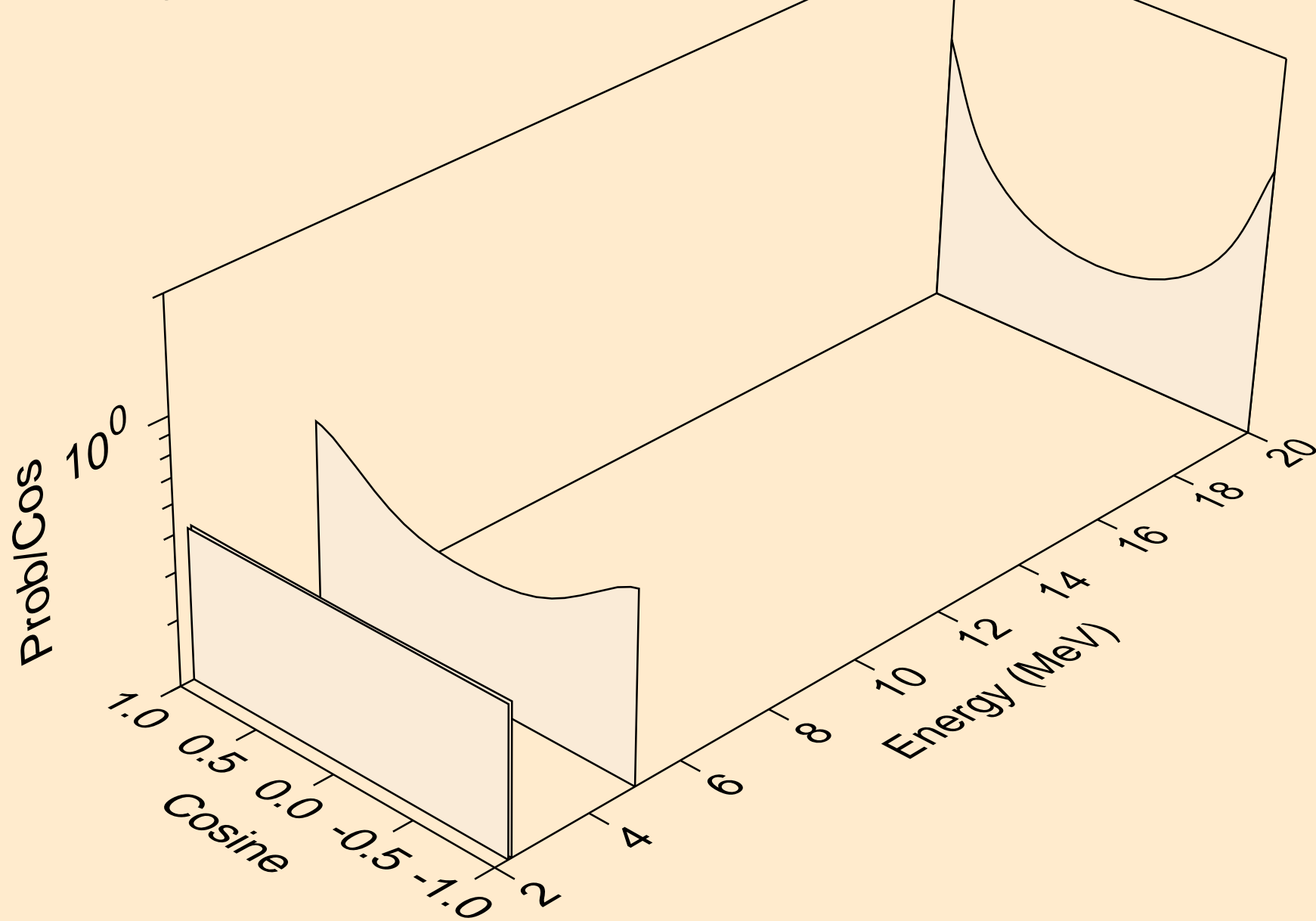
31-GA-69 FOR FENDL-3.2 FROM FENDL-3.2 BY NJOY2016.60+ O  
angular distribution for (n,n\*19)



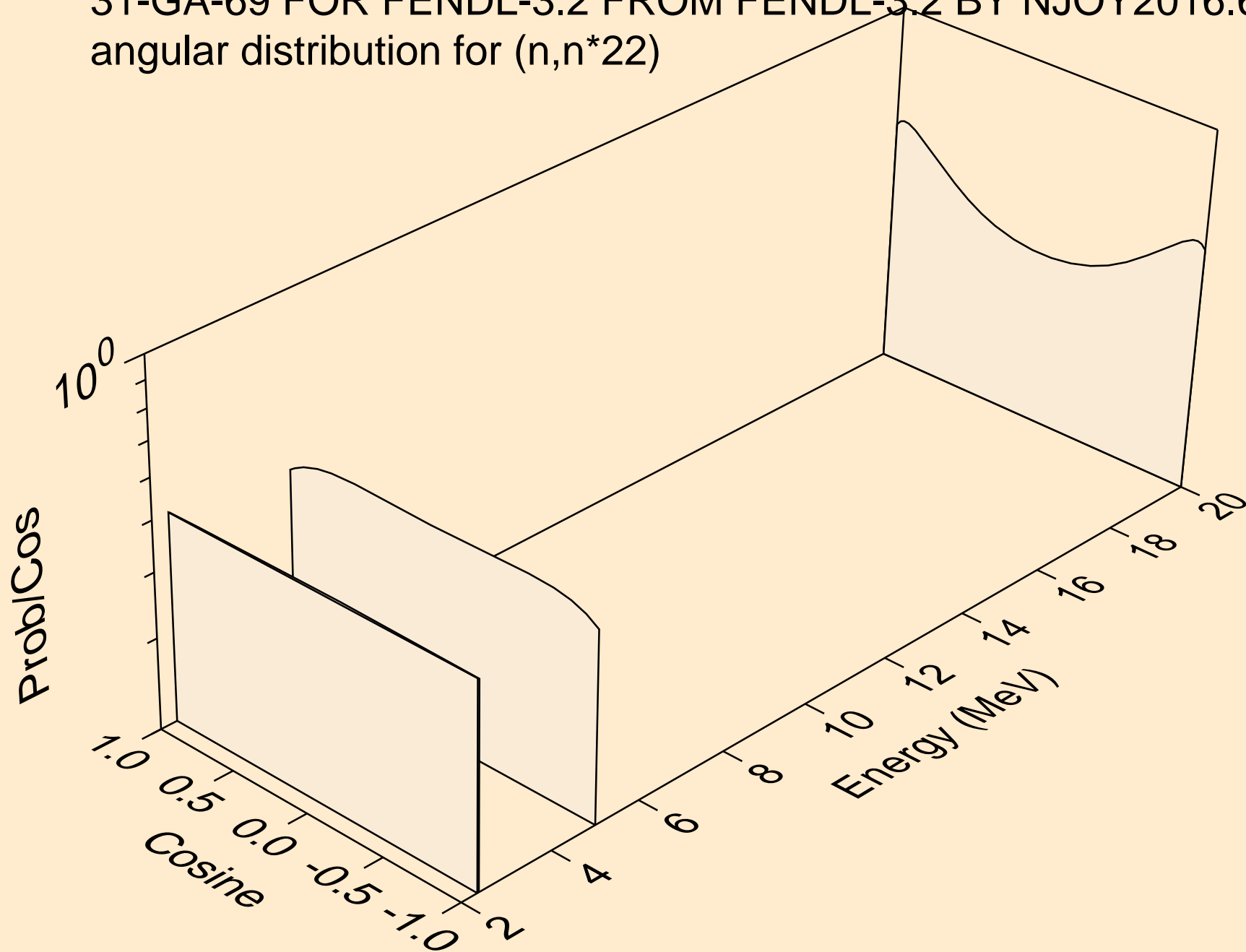
31-GA-69 FOR FENDL-3.2 FROM FENDL-3.2 BY NJOY2016.60+ O  
angular distribution for (n,n\*20)



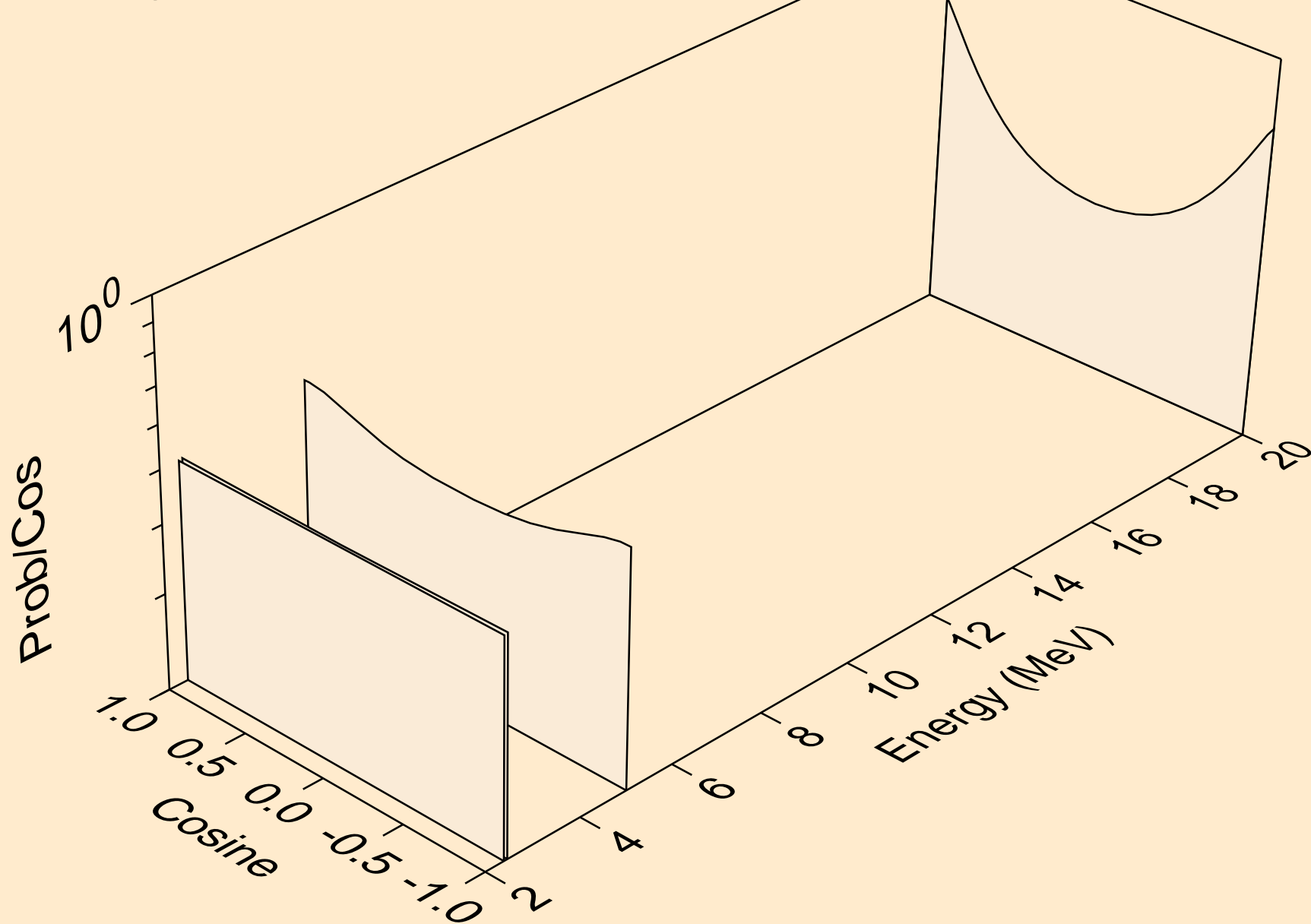
31-GA-69 FOR FENDL-3.2 FROM FENDL-3.2 BY NJOY2016.60+ O  
angular distribution for (n,n\*21)



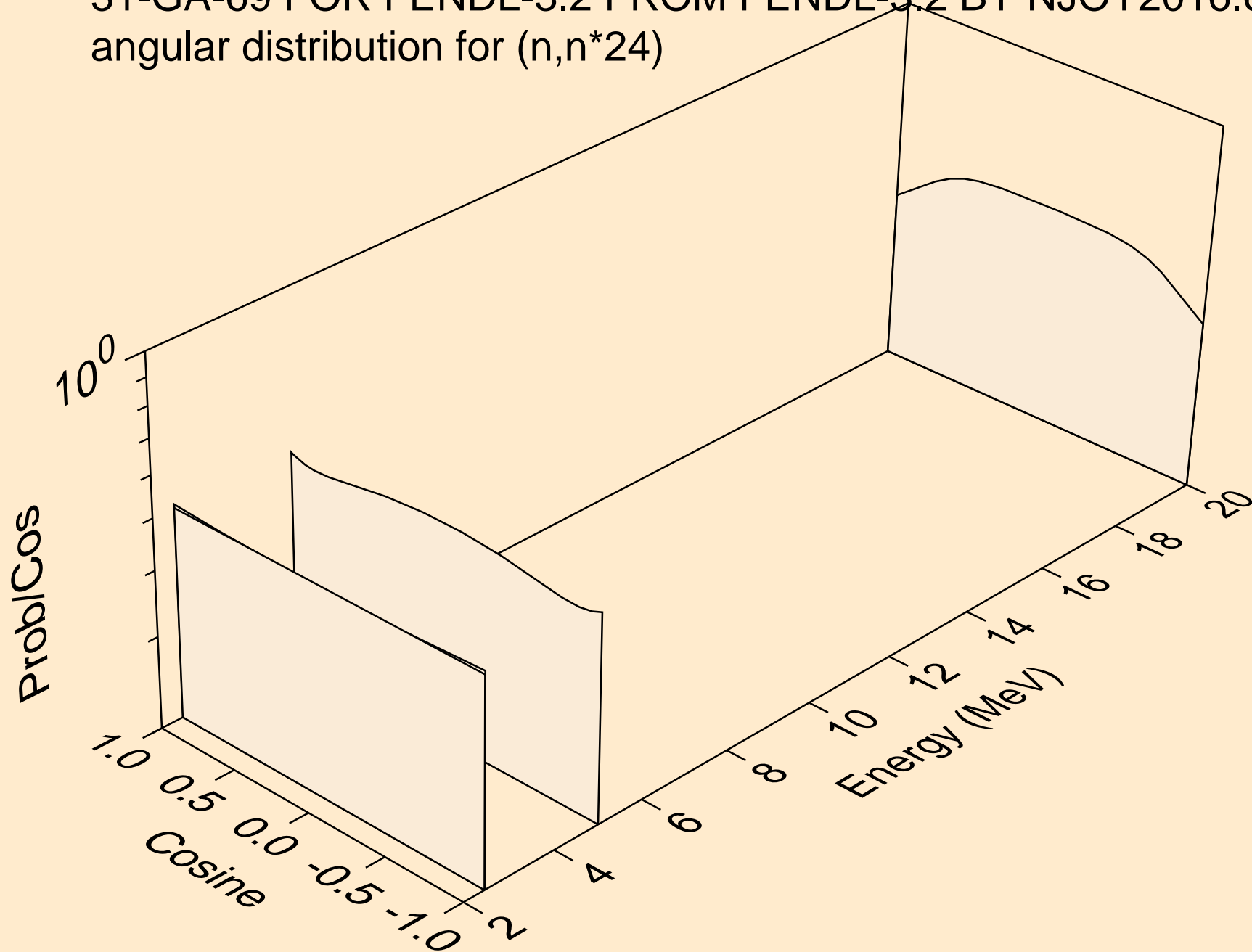
31-GA-69 FOR FENDL-3.2 FROM FENDL-3.2 BY NJOY2016.60+ O  
angular distribution for (n,n\*22)



31-GA-69 FOR FENDL-3.2 FROM FENDL-3.2 BY NJOY2016.60+ O  
angular distribution for (n,n\*23)

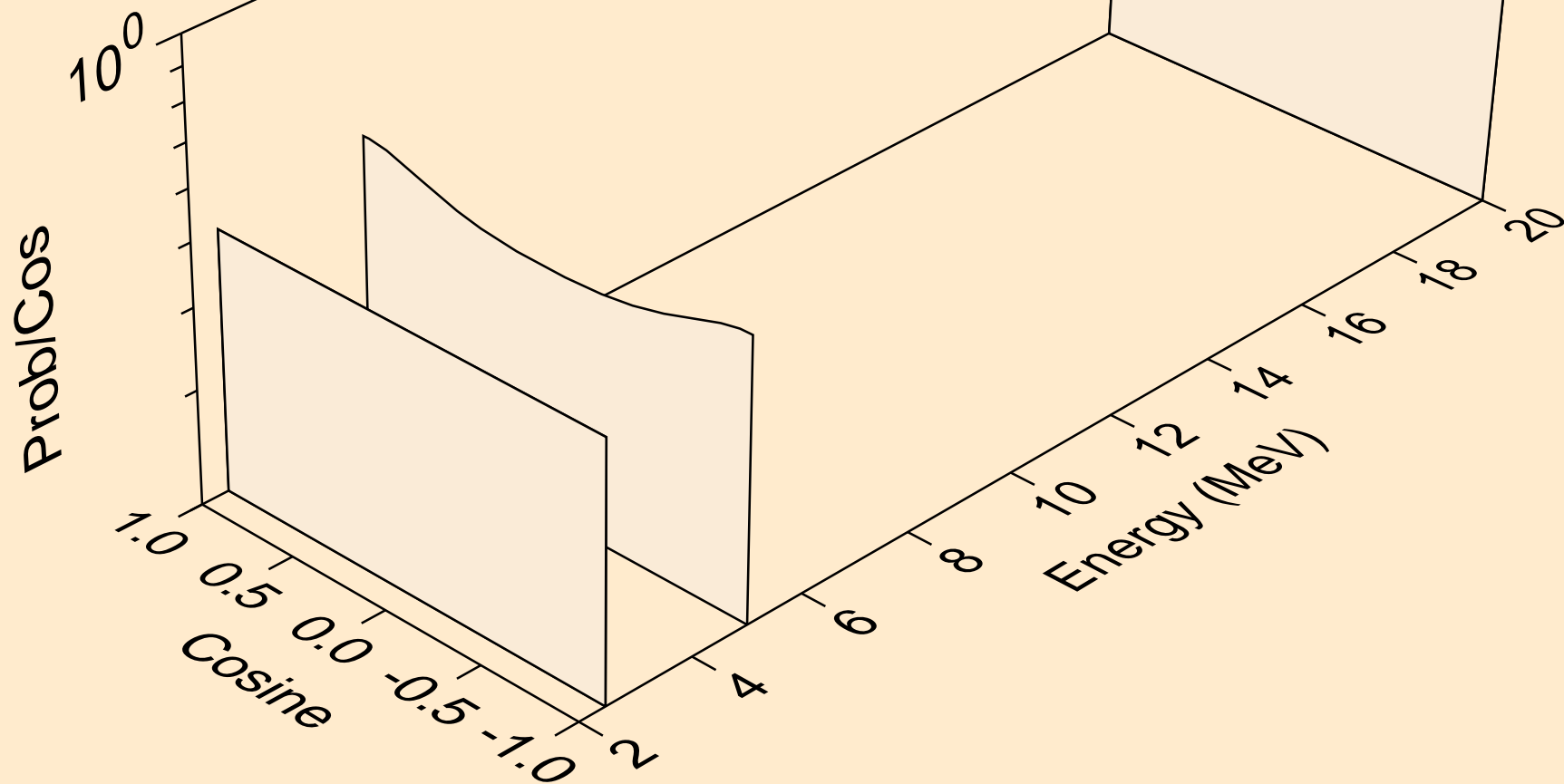


31-GA-69 FOR FENDL-3.2 FROM FENDL-3.2 BY NJOY2016.60+ O  
angular distribution for (n,n\*24)

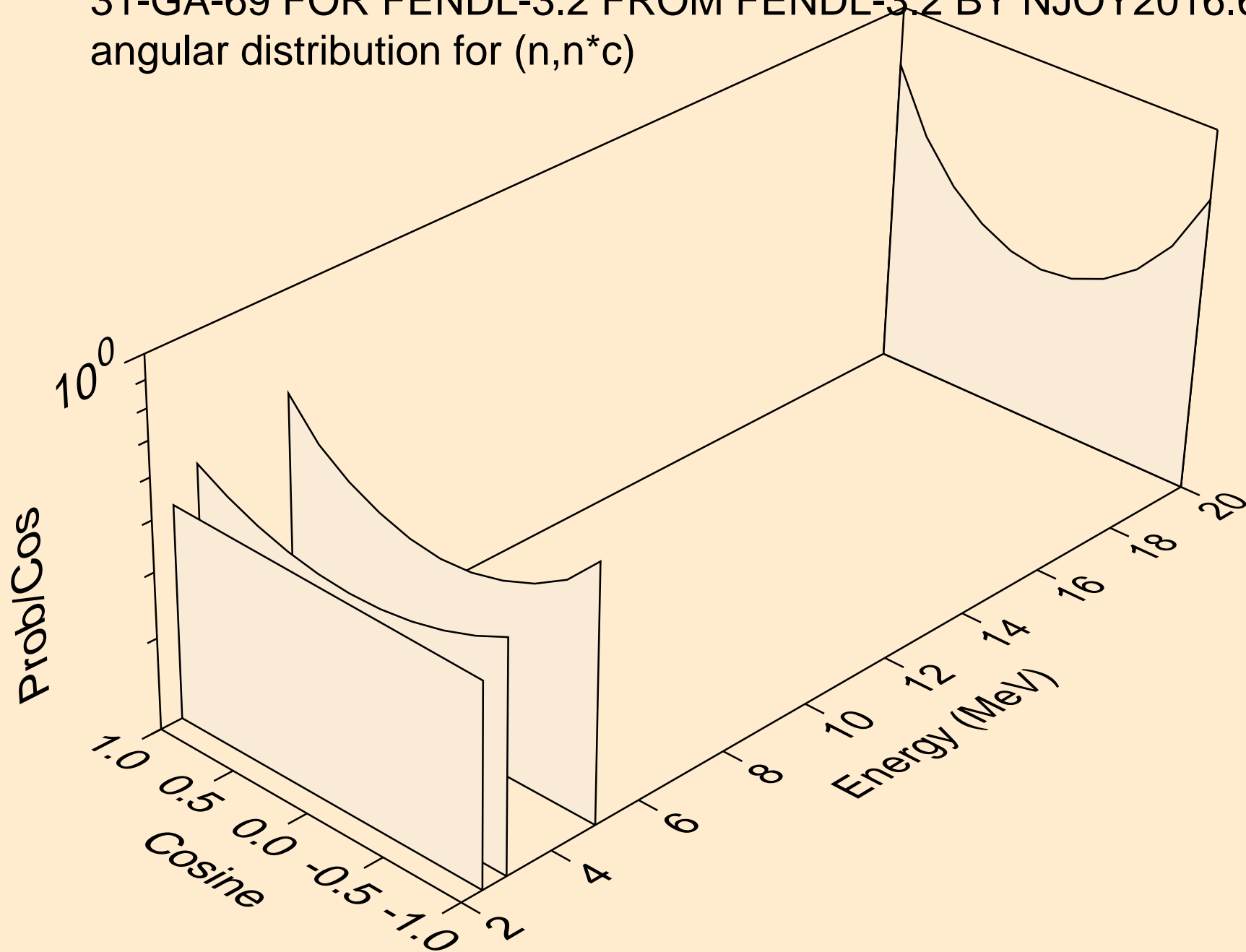




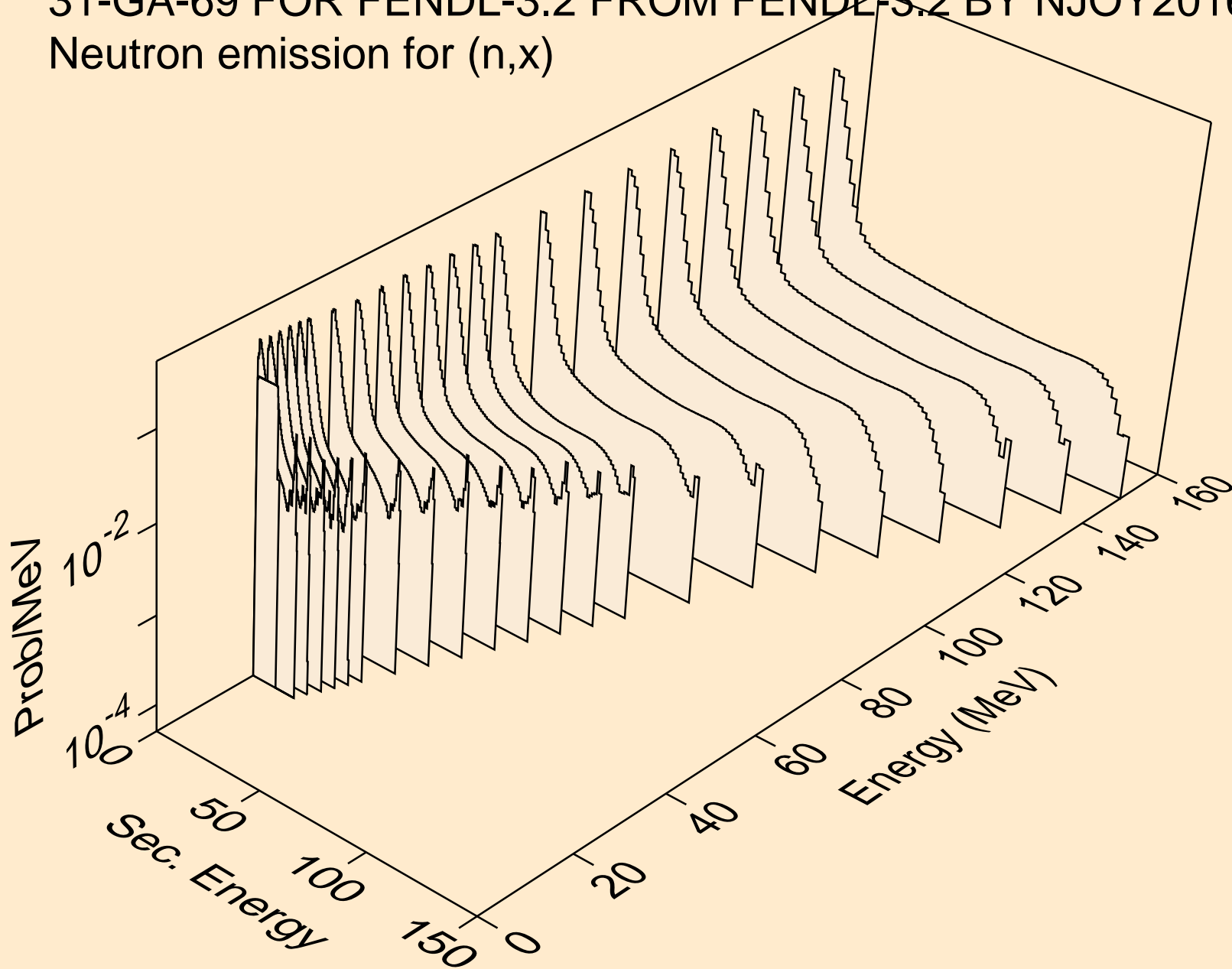
31-GA-69 FOR FENDL-3.2 FROM FENDL-3.2 BY NJOY2016.60+ O  
angular distribution for (n,n\*25)



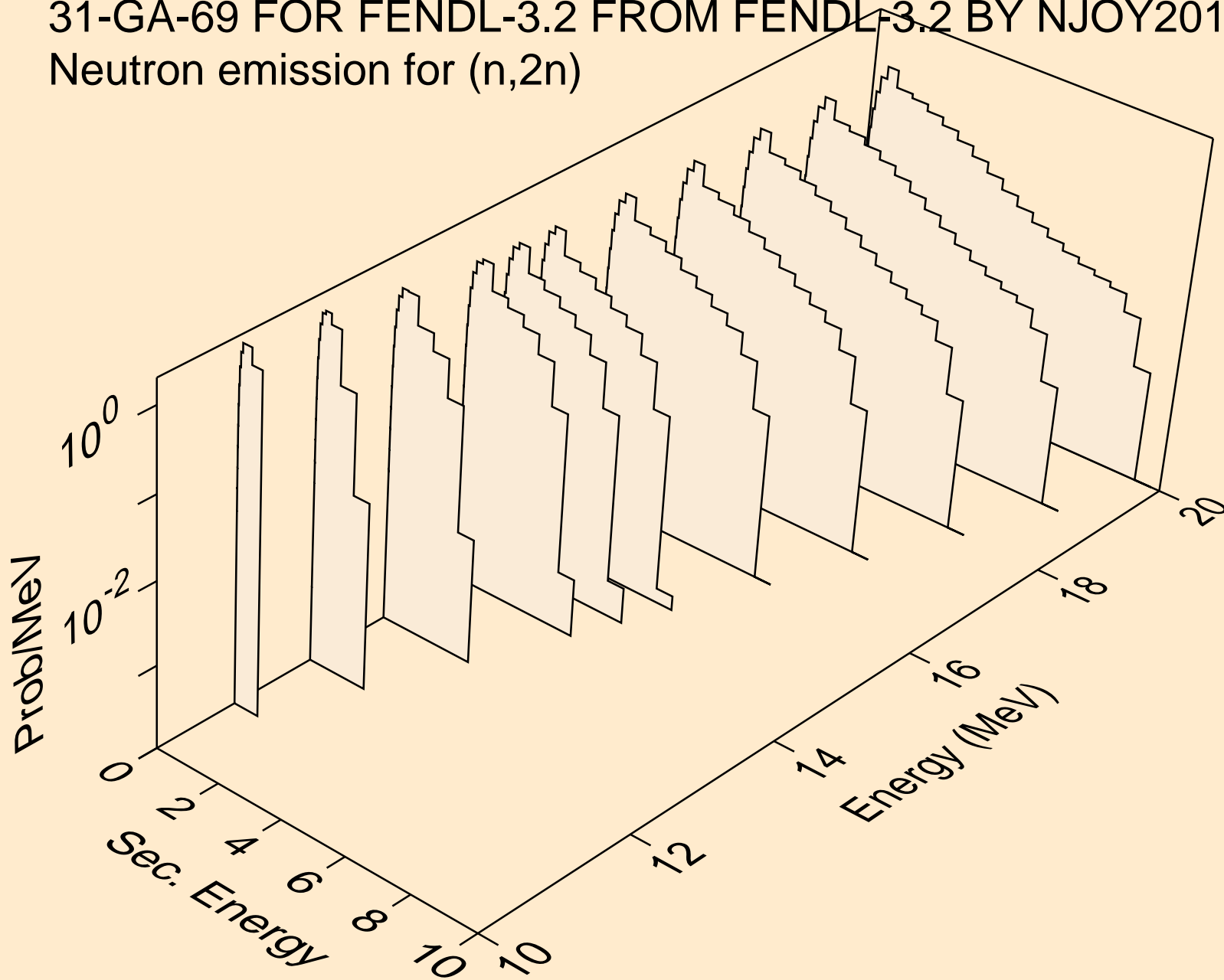
31-GA-69 FOR FENDL-3.2 FROM FENDL-3.2 BY NJOY2016.60+ O  
angular distribution for (n,n\*c)



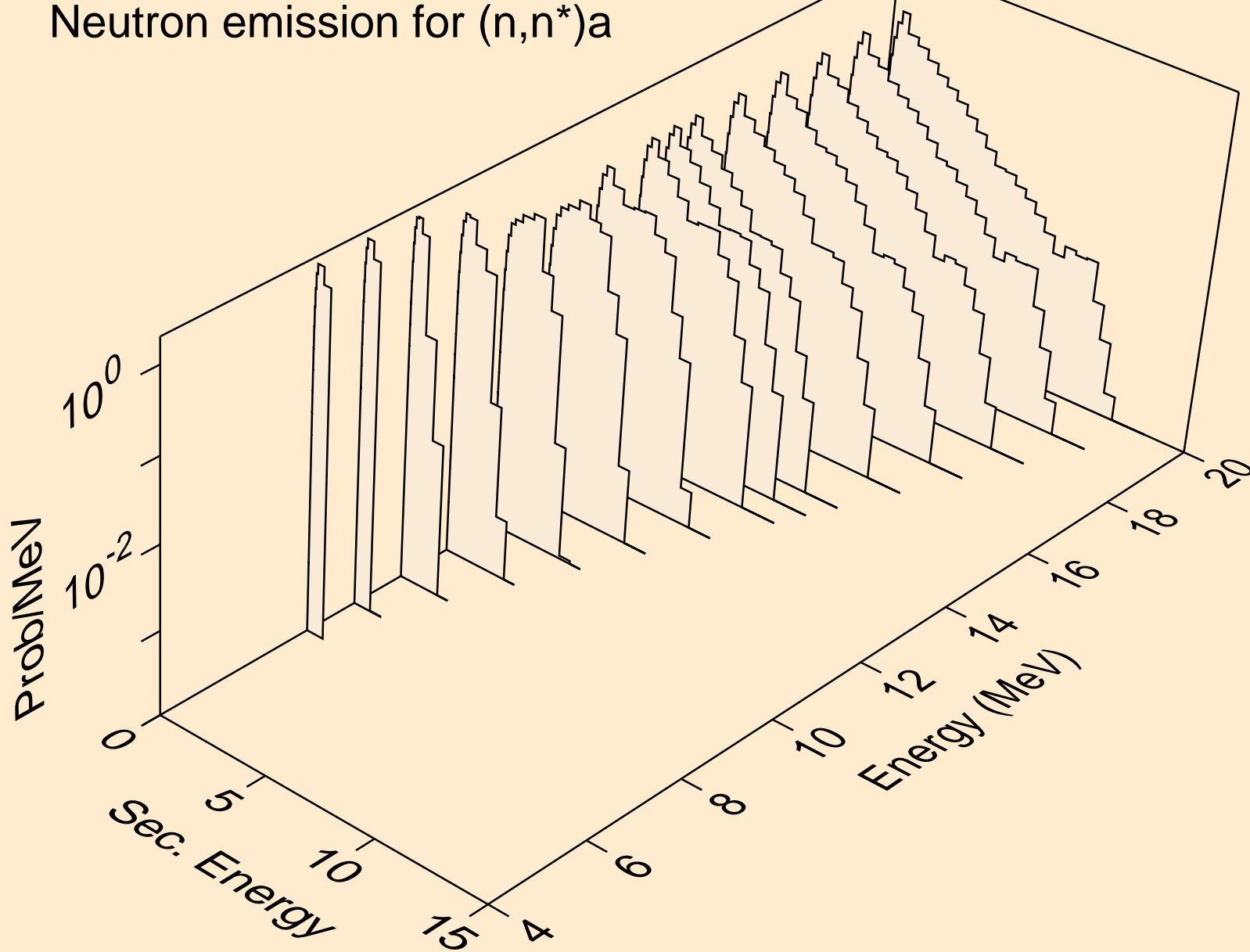
31-GA-69 FOR FENDL-3.2 FROM FENDL-3.2 BY NJOY2016.60+ O  
Neutron emission for (n,x)



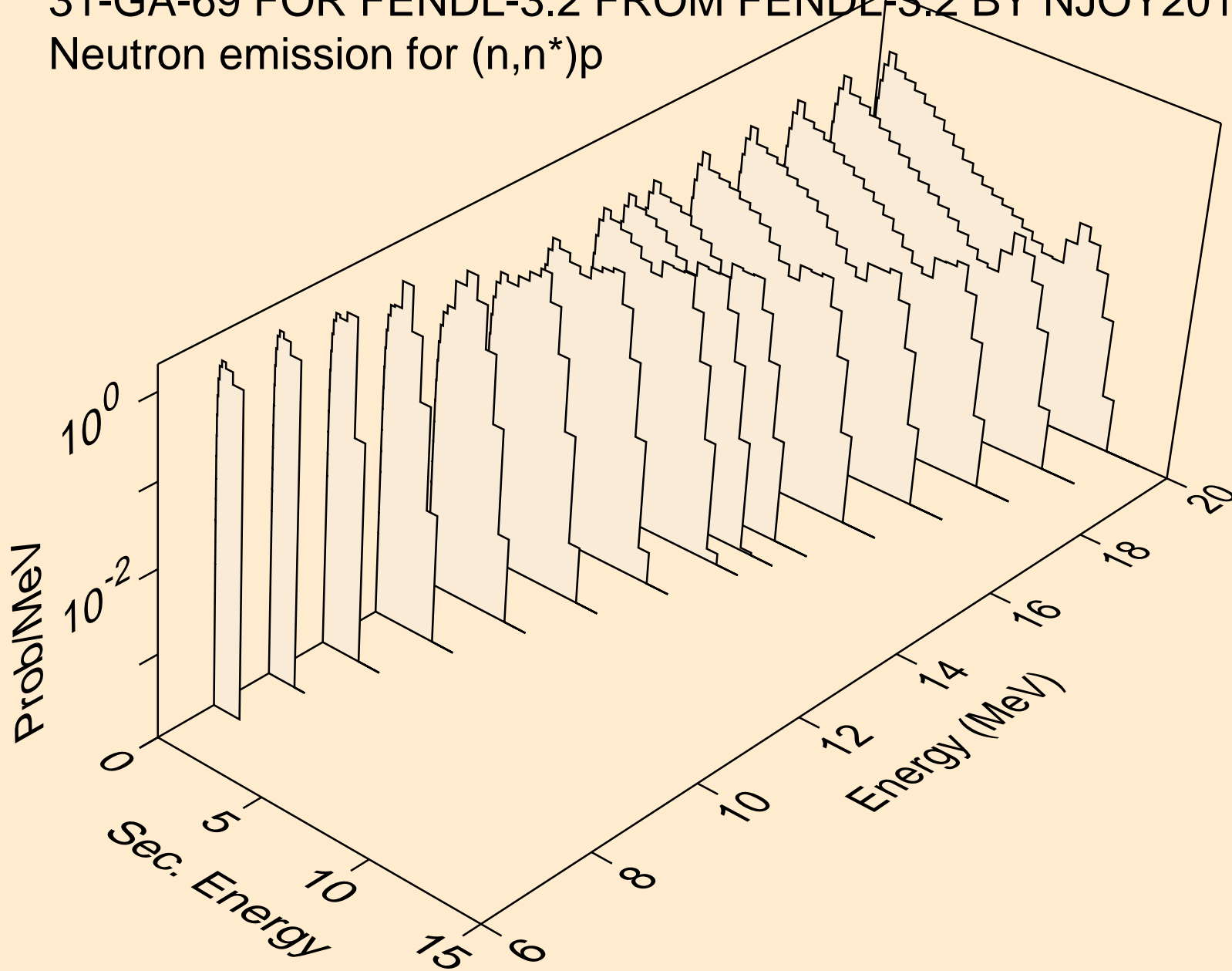
31-GA-69 FOR FENDL-3.2 FROM FENDL-3.2 BY NJOY2016.60+ O  
Neutron emission for (n,2n)



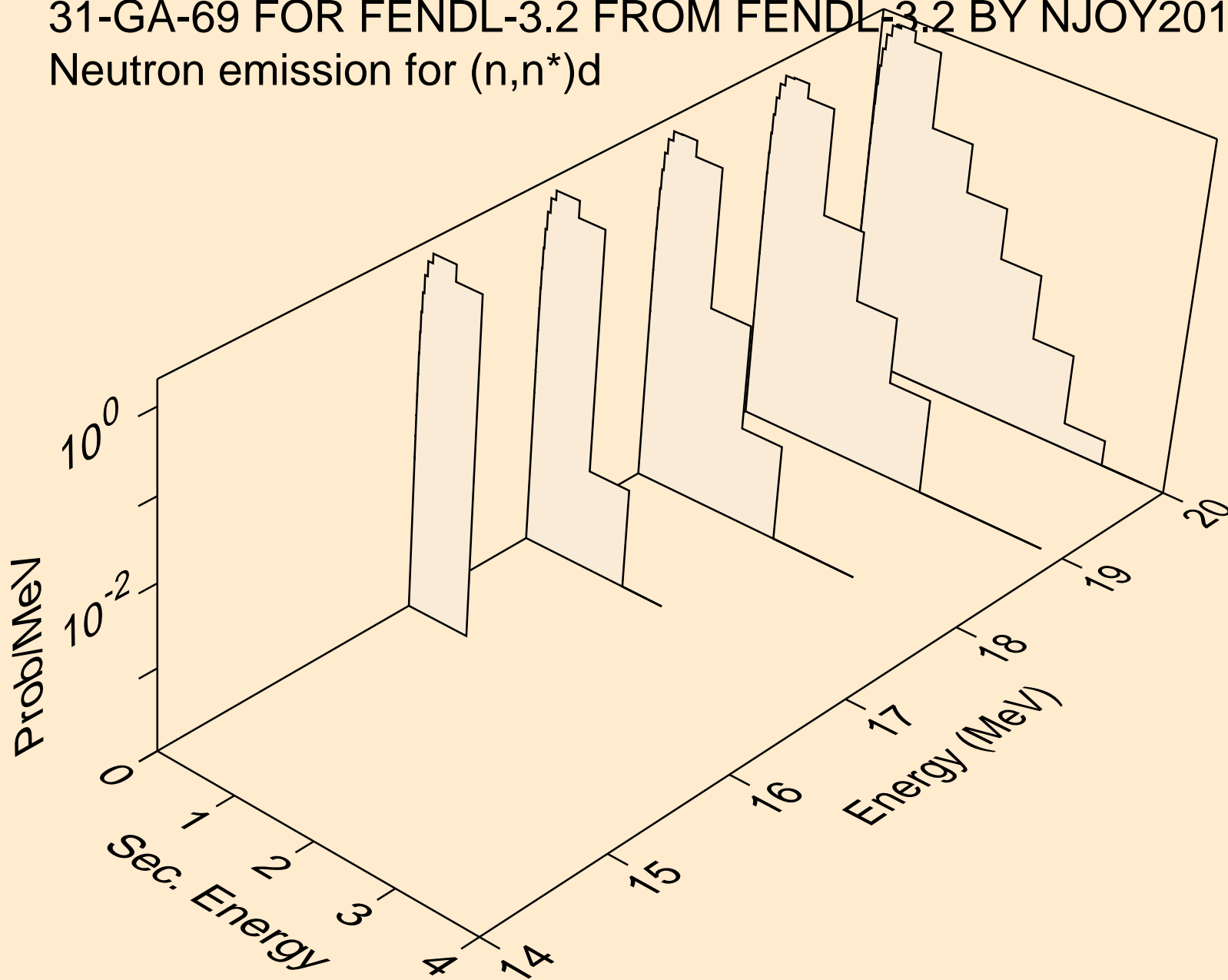
31-GA-69 FOR FENDL-3.2 FROM FENDL-3.2 BY NJOY2016.60+ O  
Neutron emission for (n,n\*)a



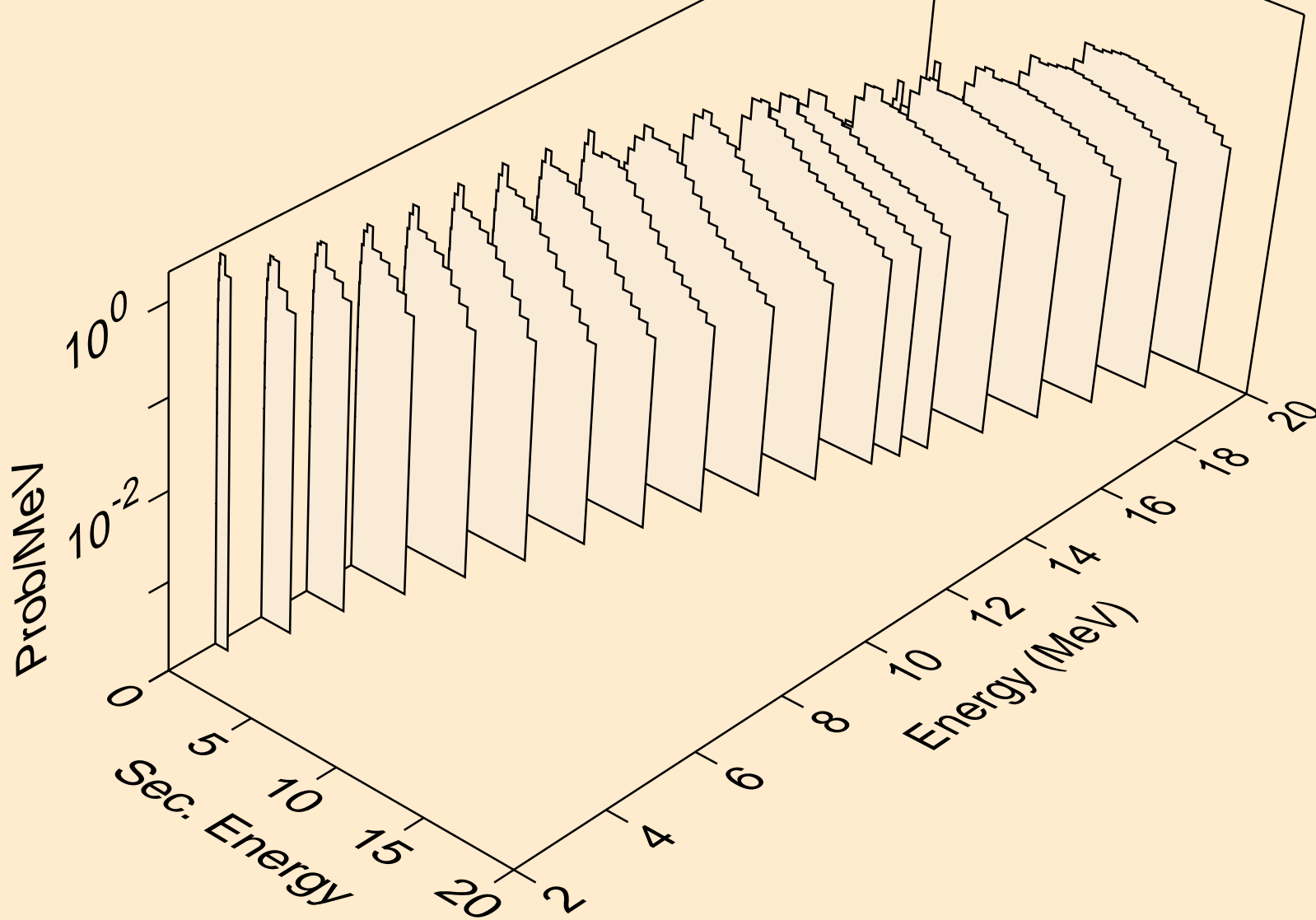
31-GA-69 FOR FENDL-3.2 FROM FENDL-3.2 BY NJOY2016.60+ O  
Neutron emission for (n,n\*)p



31-GA-69 FOR FENDL-3.2 FROM FENDL-3.2 BY NJOY2016.60+ O  
Neutron emission for (n,n\*)d

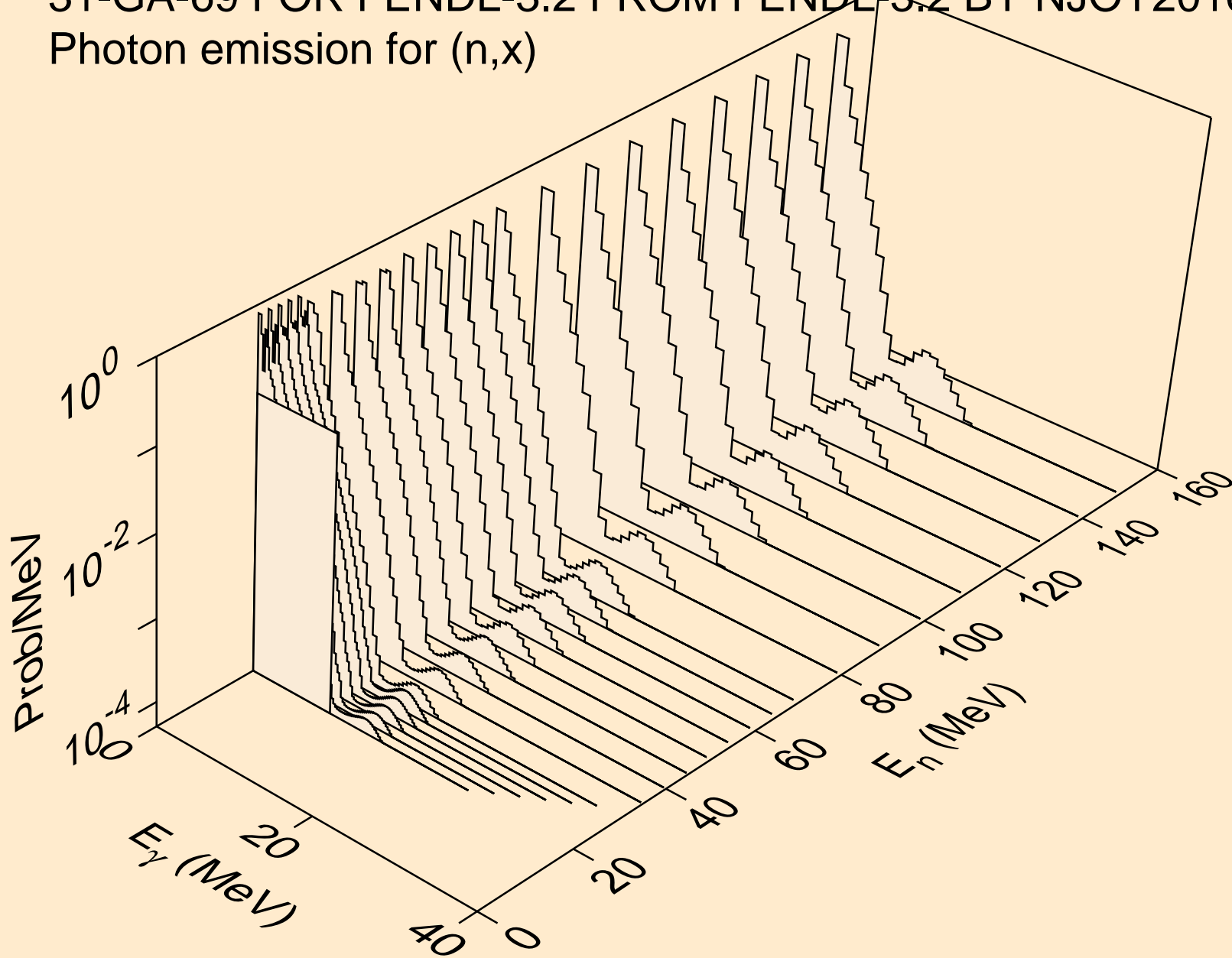


31-GA-69 FOR FENDL-3.2 FROM FENDL-3.2 BY NJOY2016.60+ O  
Neutron emission for (n,n\*c)

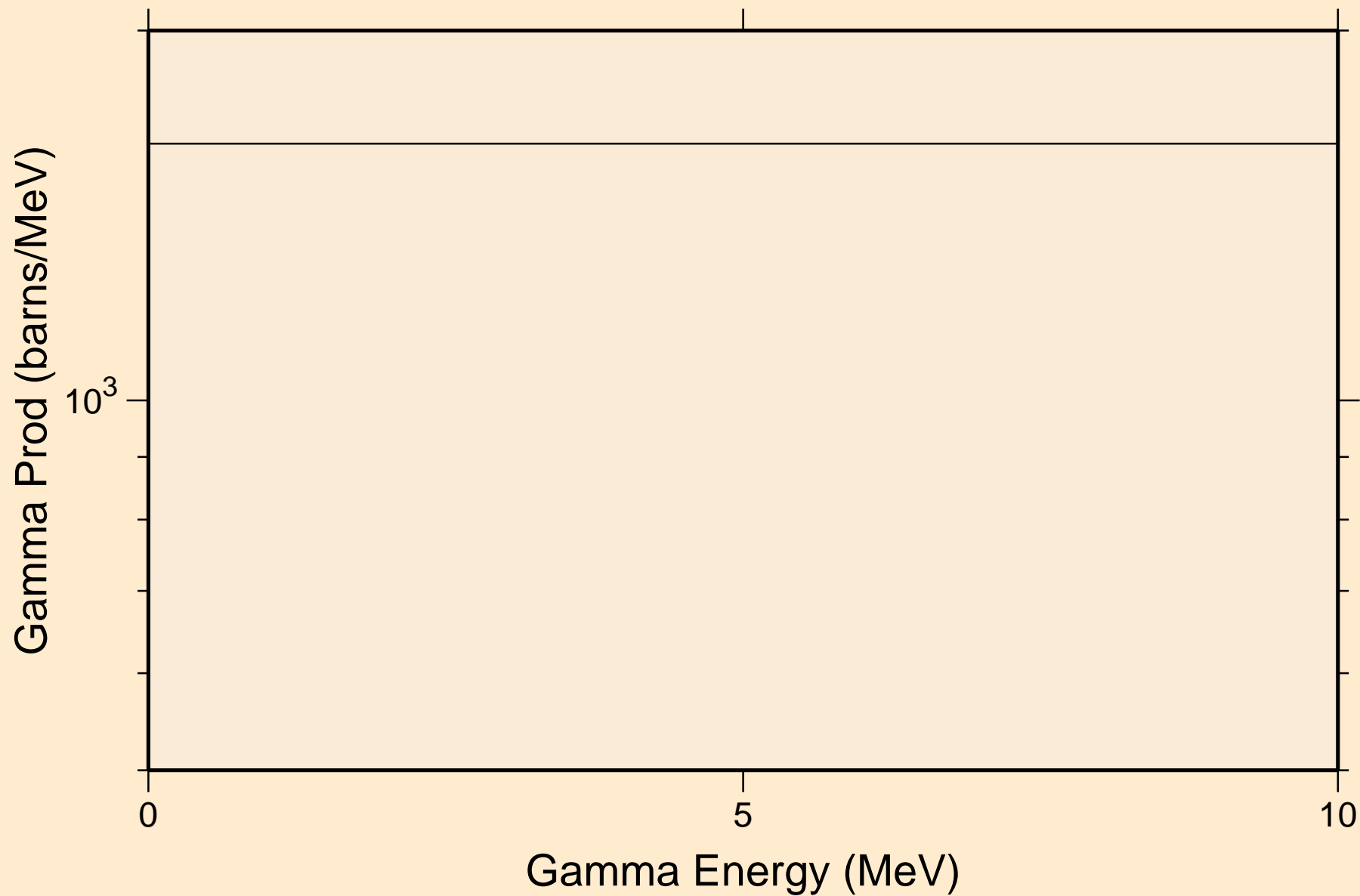




31-GA-69 FOR FENDL-3.2 FROM FENDL-3.2 BY NJOY2016.60+ O  
Photon emission for (n,x)

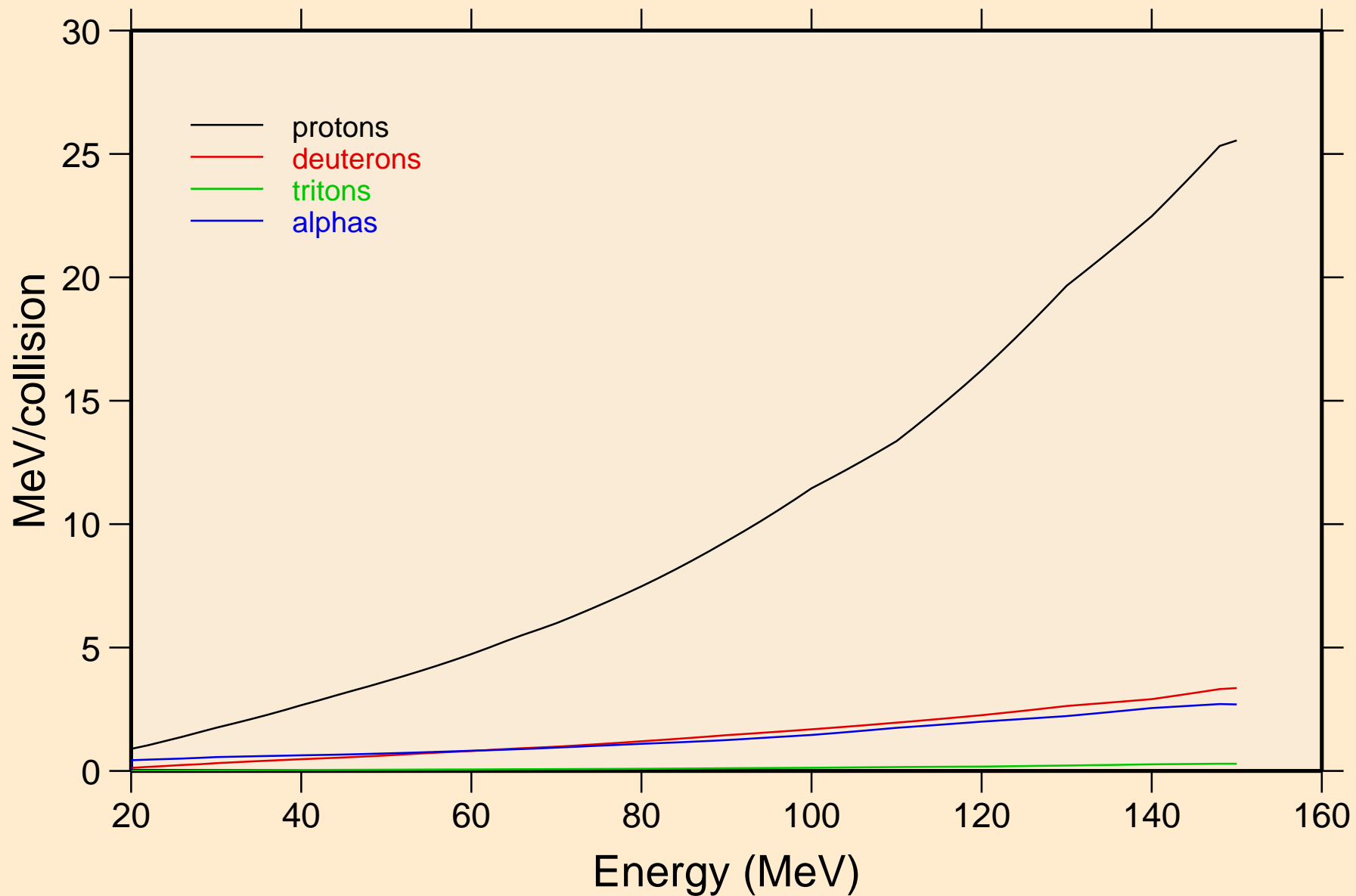


31-GA-69 FOR FENDL-3.2 FROM FENDL-3.2 BY NJOY2016.60+ O  
14 MeV photon spectrum

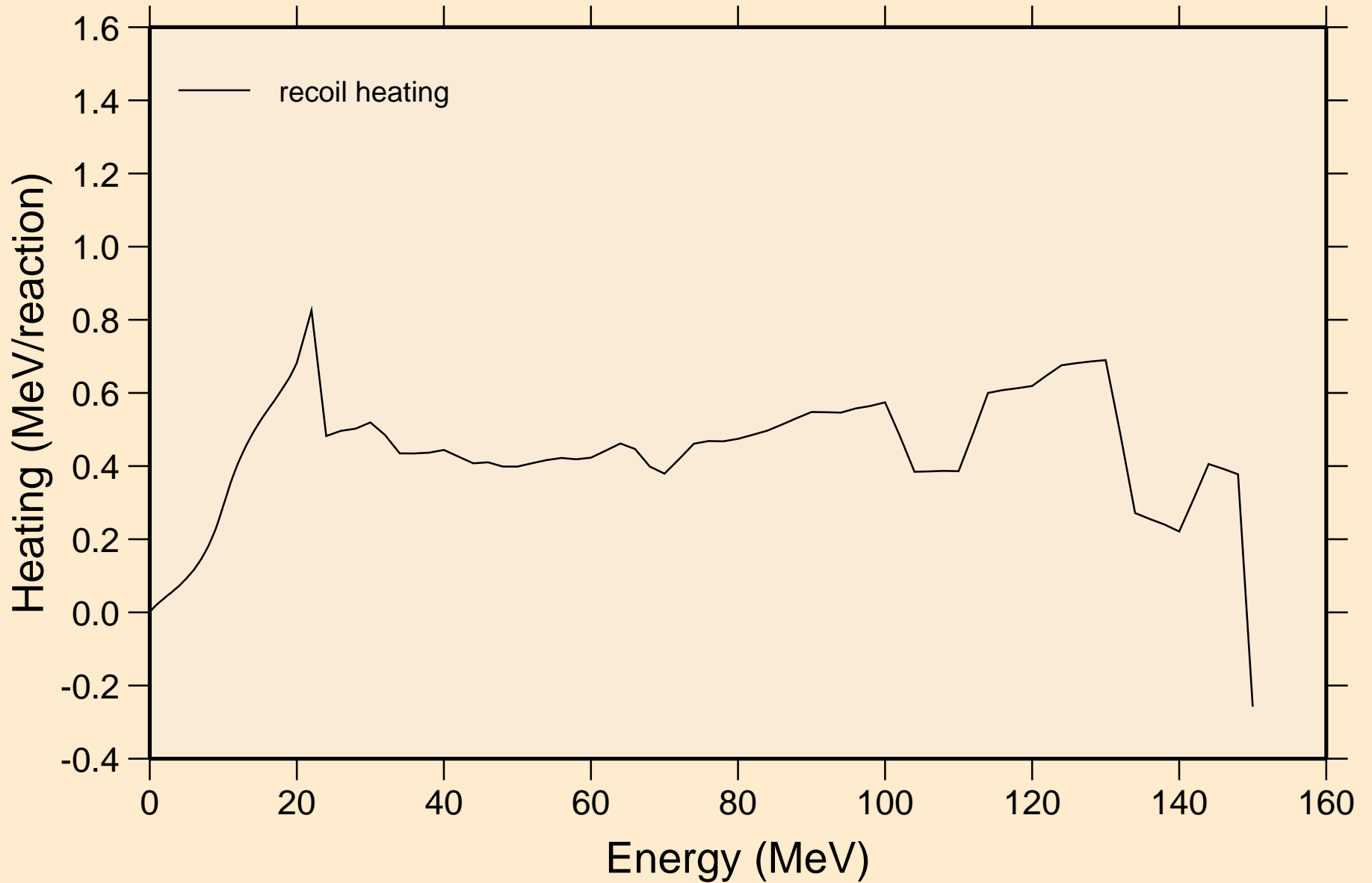


# 31-GA-69 FOR FENDL-3.2 FROM FENDL-3.2 BY NJOY2016.60+ O

## Particle heating contributions

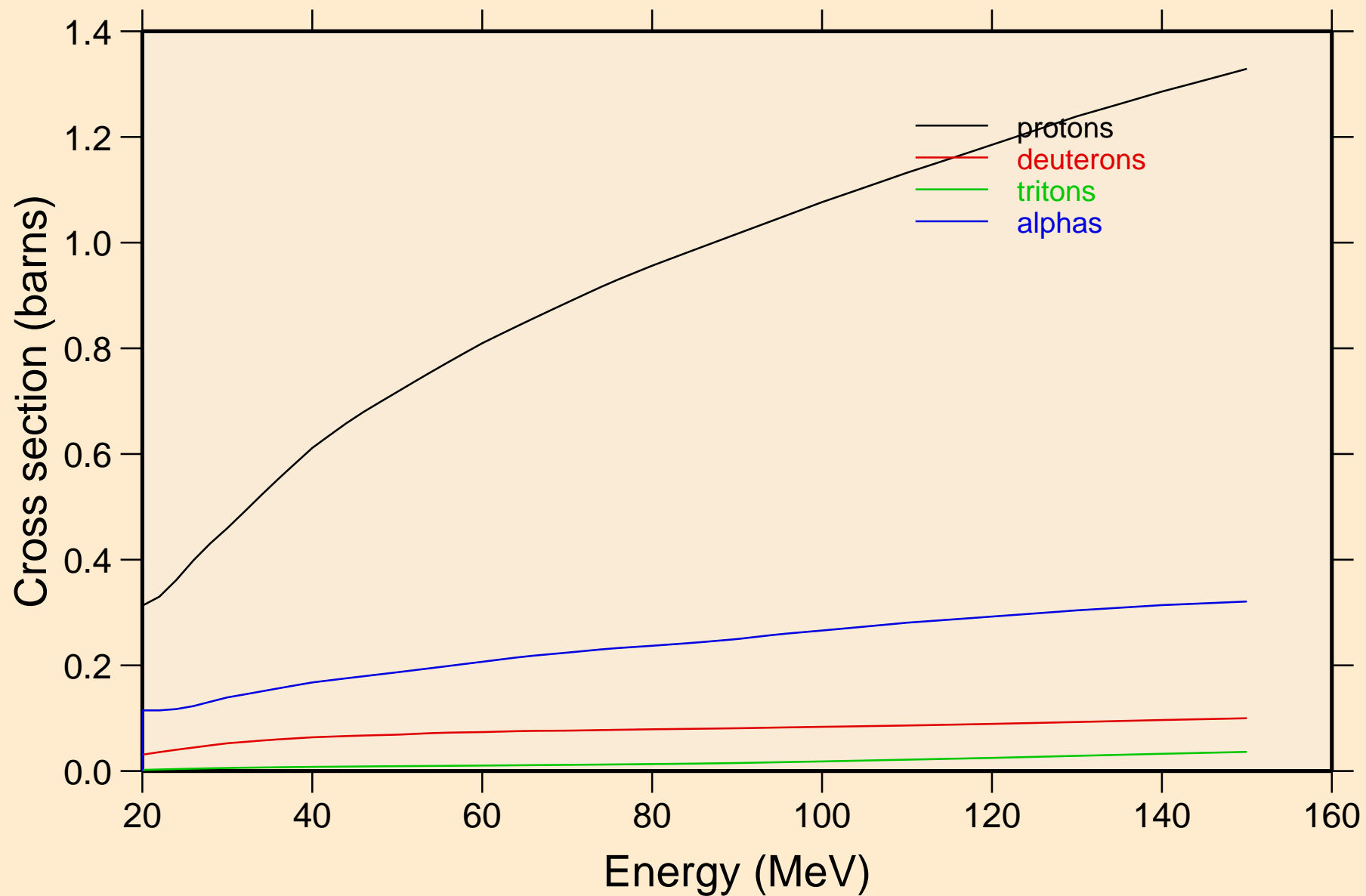


# 31-GA-69 FOR FENDL-3.2 FROM FENDL-3.2 BY NJOY2016.60+ O Recoil Heating

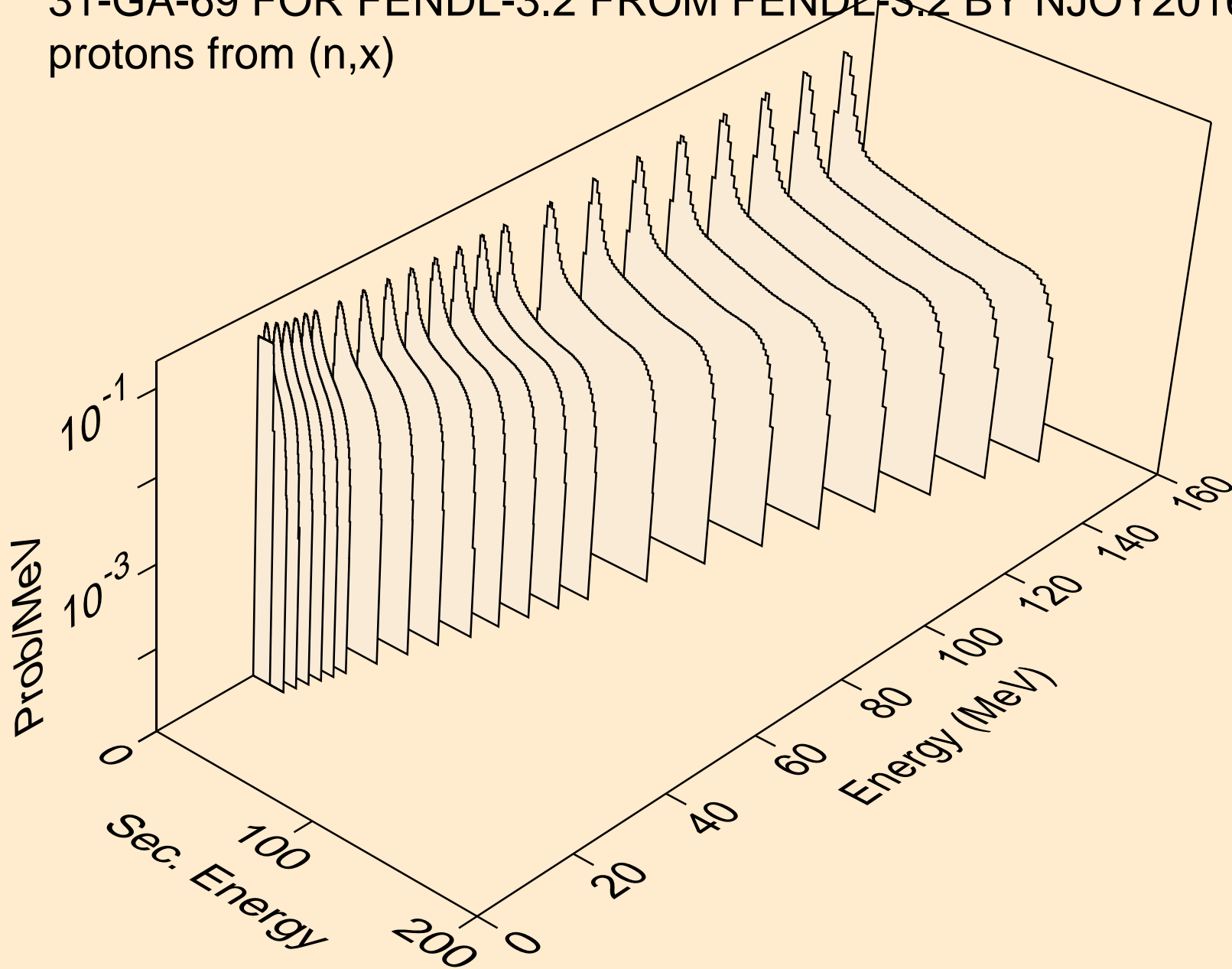


# 31-GA-69 FOR FENDL-3.2 FROM FENDL-3.2 BY NJOY2016.60+ O

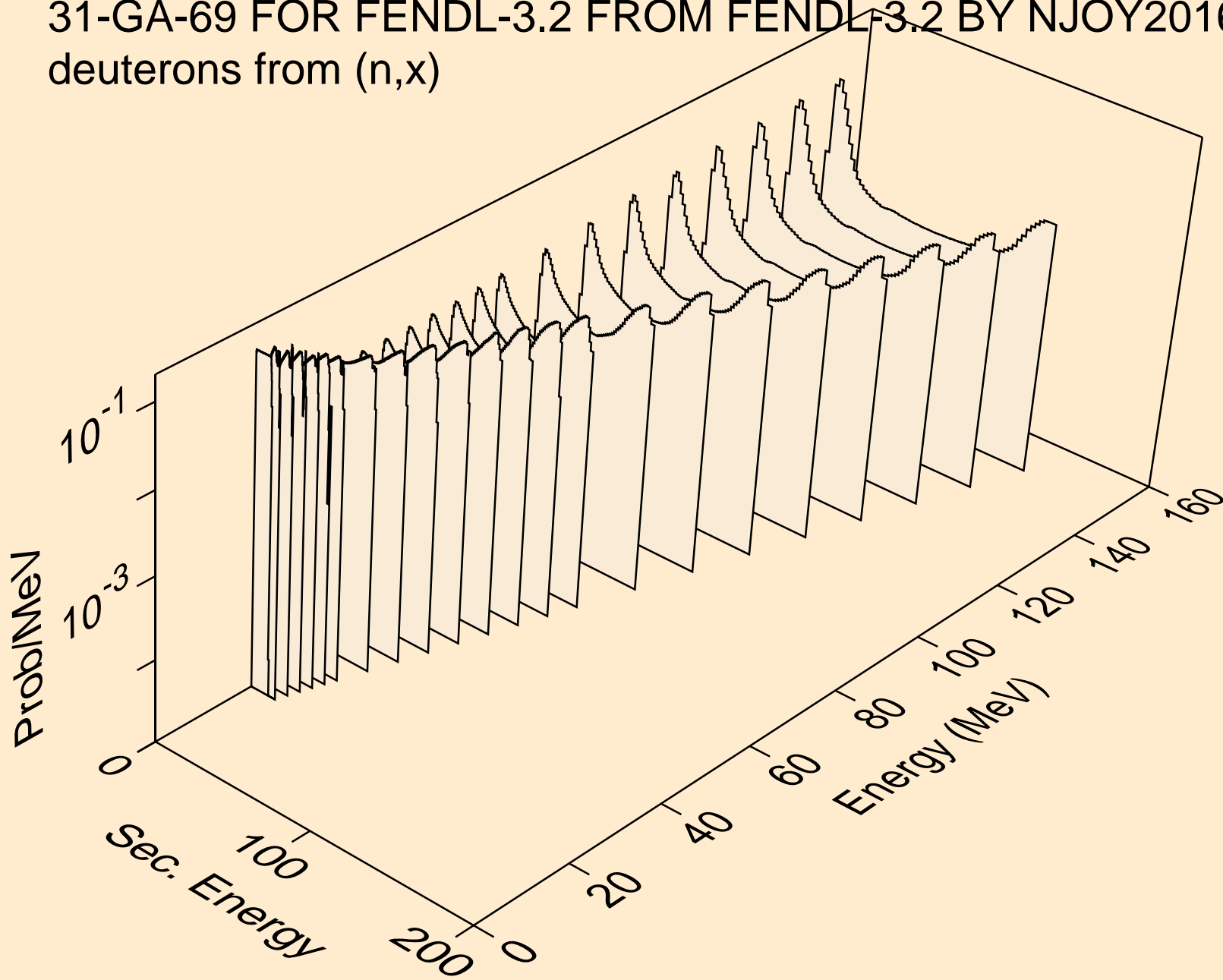
## Particle production cross sections



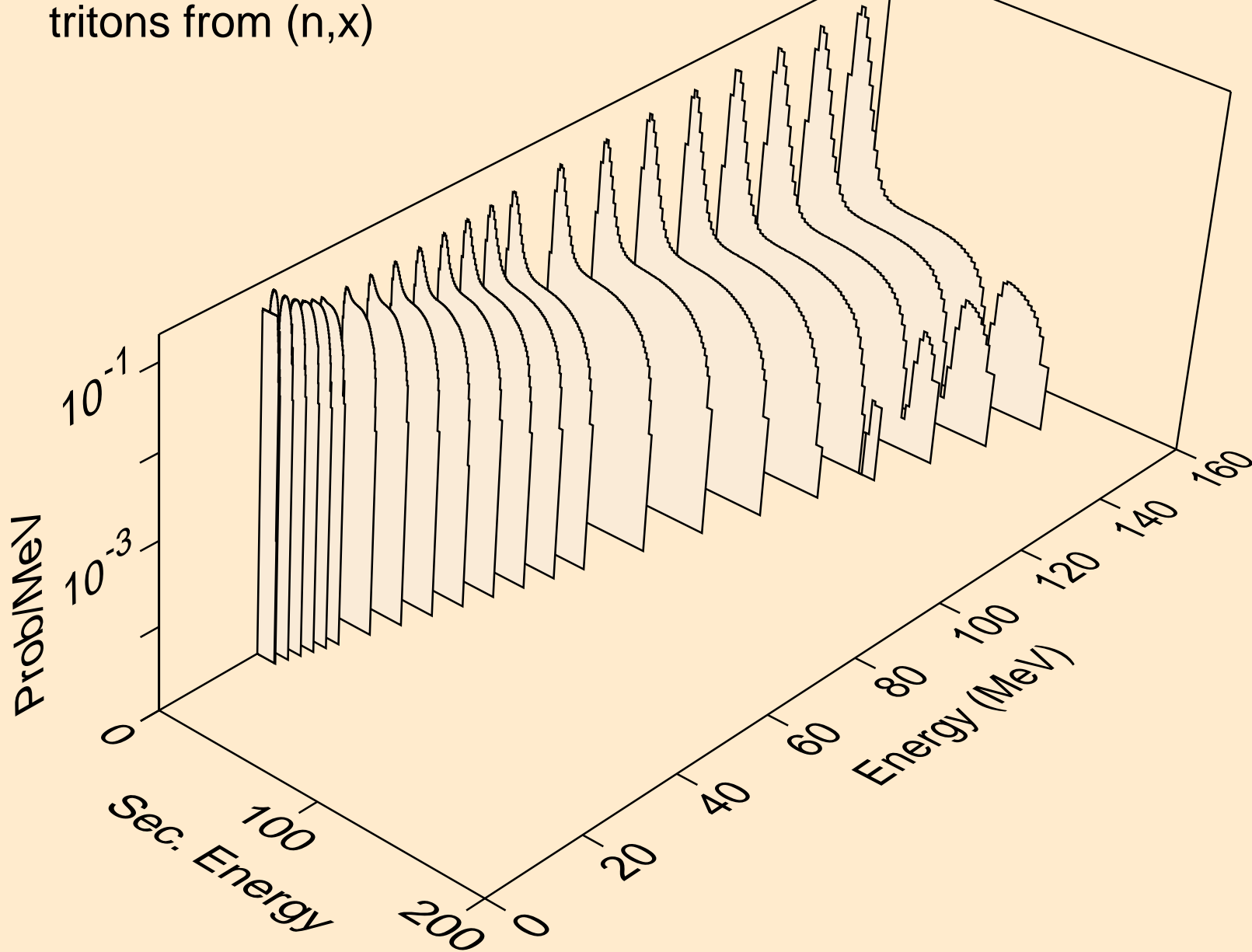
31-GA-69 FOR FENDL-3.2 FROM FENDL-3.2 BY NJOY2016.60+ O  
protons from (n,x)



31-GA-69 FOR FENDL-3.2 FROM FENDL-3.2 BY NJOY2016.60+ O  
deuterons from (n,x)



31-GA-69 FOR FENDL-3.2 FROM FENDL-3.2 BY NJOY2016.60+ O  
tritons from (n,x)





31-GA-69 FOR FENDL-3.2 FROM FENDL-3.2 BY NJOY2016.60+ O  
alphas from (n,x)

